

Net Tunnel		
LE no. 20936	MAIN DRAWING	scale: 1:75

DATE	26.01.2005
REV.	A: 19.12.2007
	B: 25.02.2009
	C: 21.03.2011

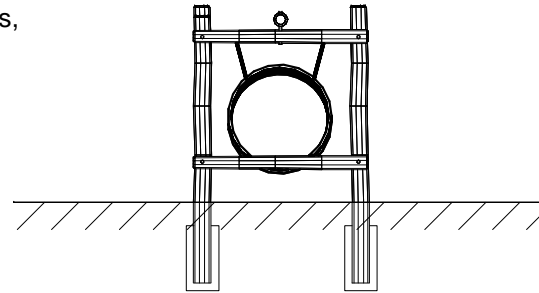
Legs/beam diameter=160/180

Assemble legs-beam in accordance with assembly Principle 2. Side assembly, and assembly Principle 1. Top assembly

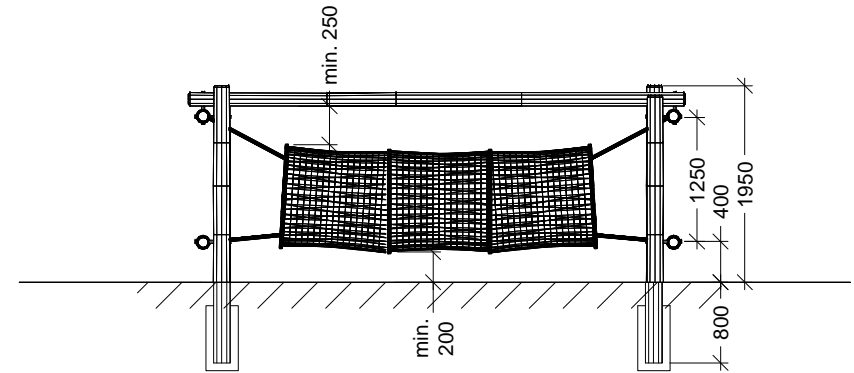
Net tunnel in woven pet net. Mounted on fixed rings, wound with hemp-coloured strands.

Concrete required: 8 sacks of dry concrete/hole

Height of fall: 1.3 m

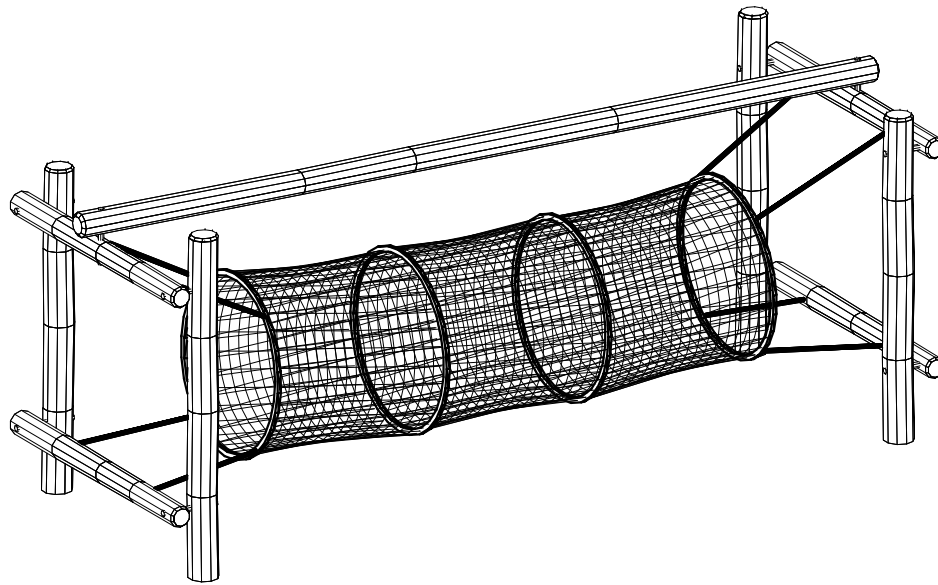


Front

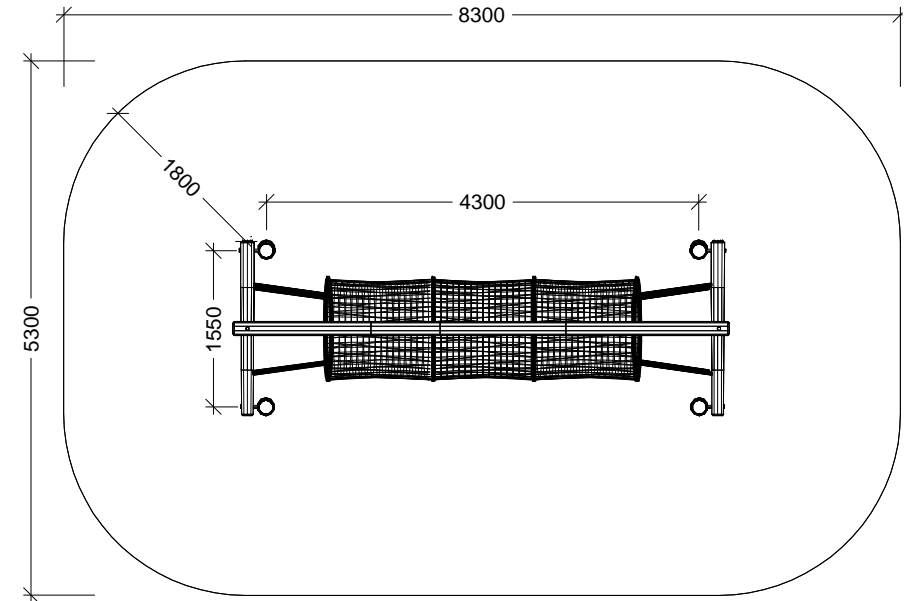


Side view

The posts must be concreted into place



Perspective



Plan