
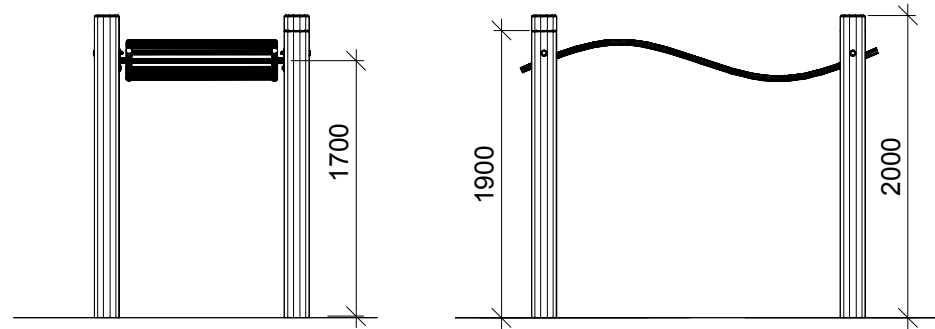
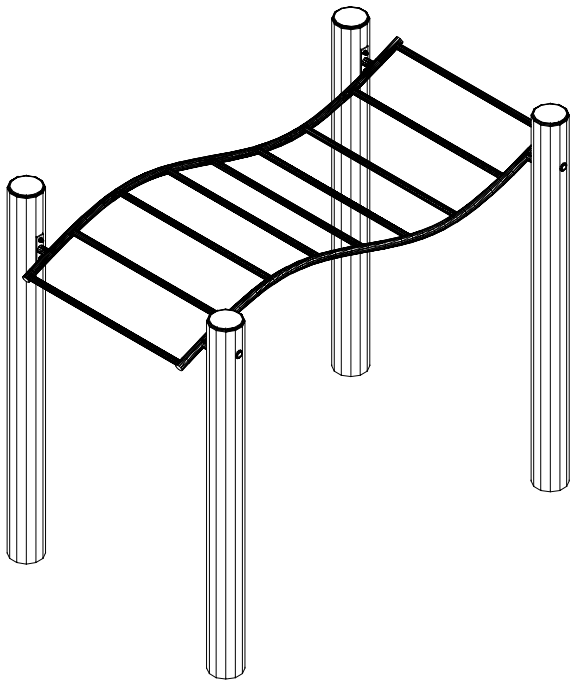


NORLEG	
Armgang i stål-robinia	
LE 20922	
16.02.2015	REV. -

< 1900

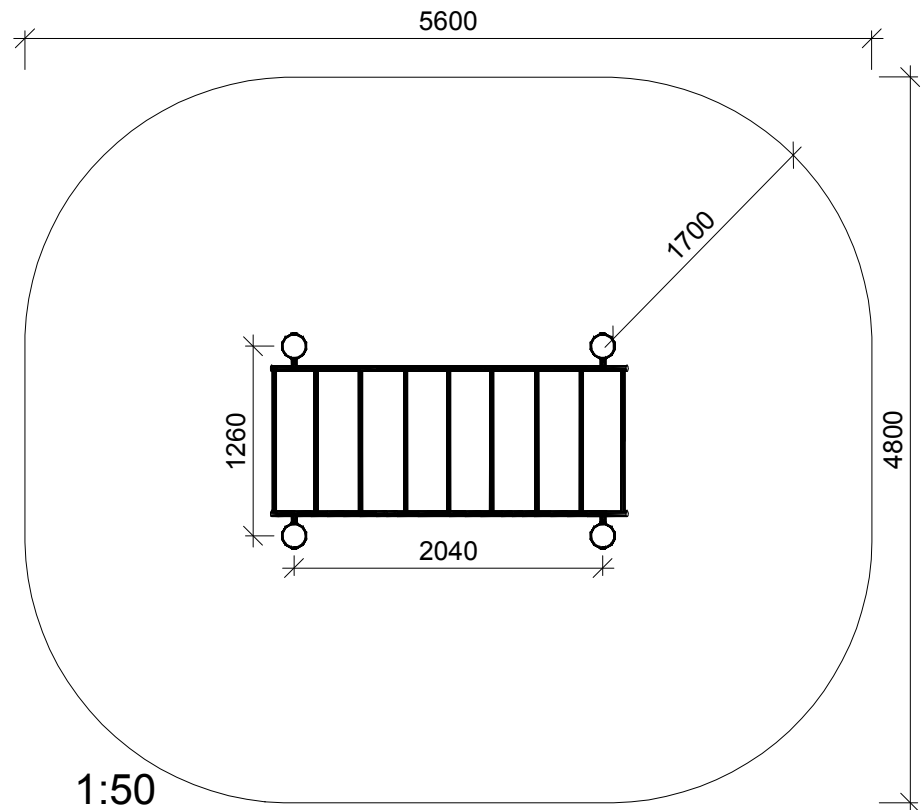


≥ EN 1176



1:50

1:50

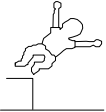


1:50

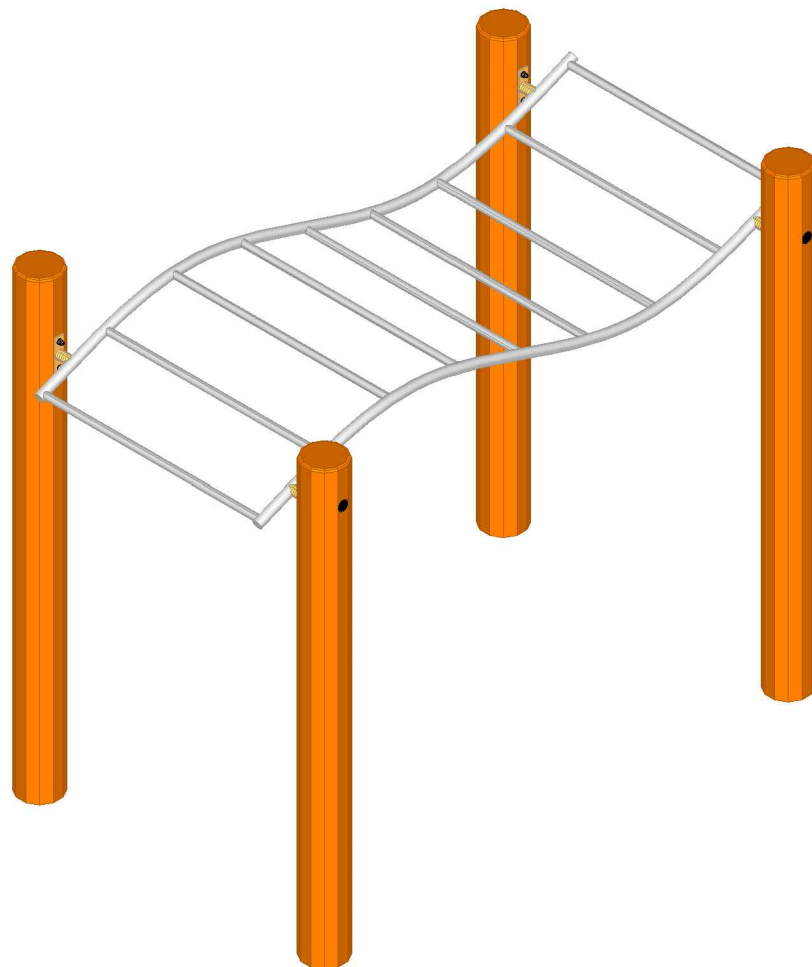
This drawing is the property of NORLEG and pursuant to current legislation may not be copied, transferred to or used by any third party. Should this drawing be used, a fee of 10% of the assumed contract price will be charged.

NORLEG	
Armgang i stål-robinia	
LE 20922	
16.02.2015	REV. -

< 1900



≥ EN 1176



NORLEG - Mont.	
Armgang i stål-robinia	
LE 20922	
16.02.2015	REV. -

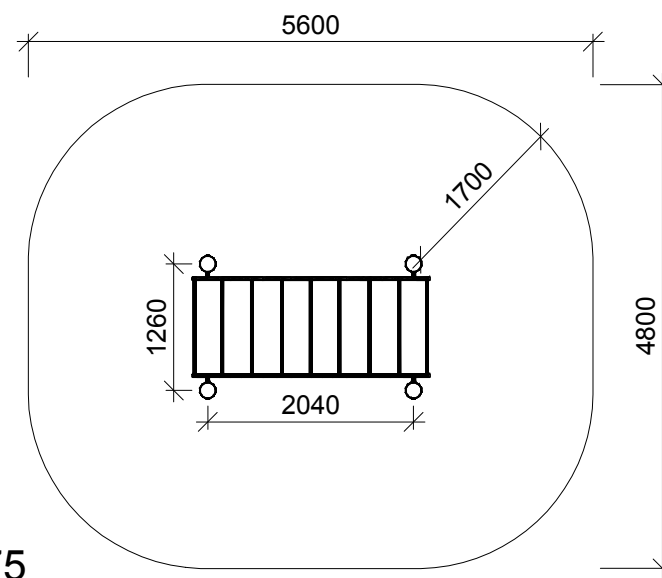
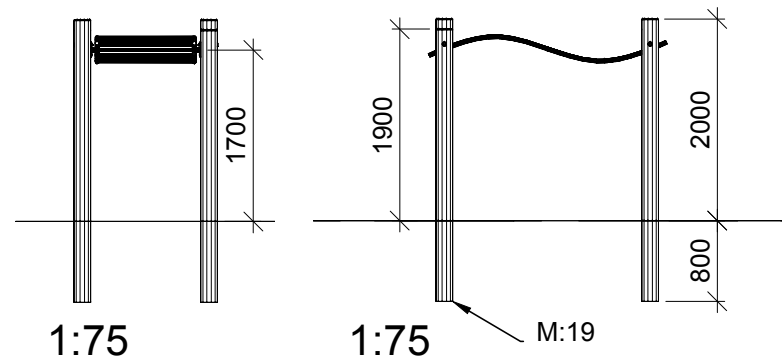
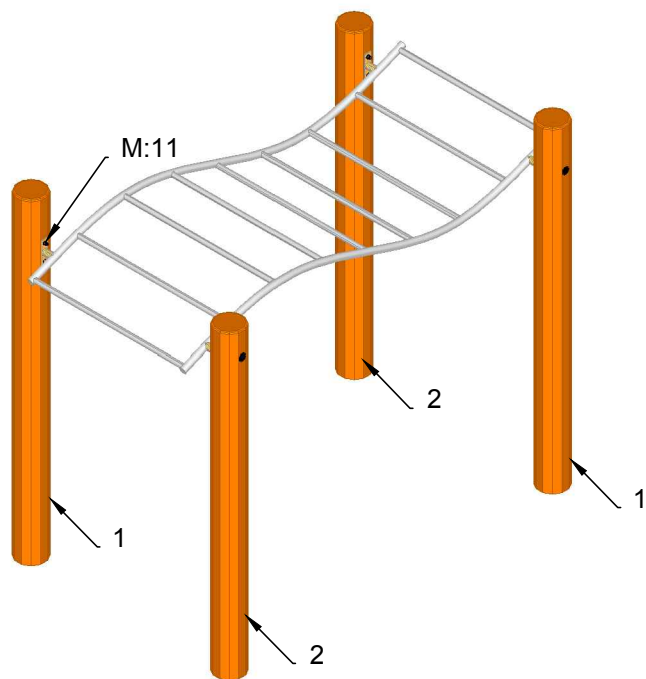
< 1900

≥ EN 1176

Mont.p. nr.

11
19

Robinia		
Mrk.	QTY	Part.no
1	2	160-180-2800
2	2	160-180-2700



This drawing is the property of NORLEG and pursuant to current legislation may not be copied, transferred to or used by any third party. Should this drawing be used, a fee of 10% of the assumed contract price will be charged.