

Robinia Gallows with Sloped Net and Knotted Rope		
LE no. 20920	MAIN DRAWING	scale: 1:75

DATE	04.11.2005
REV.	A:12.12.2005

B: 21.08.2006
 C: 25.02.2009
 D: 17.01.2011

Legs diameter=160/180, Beam diameter=120/140

Assemble legs-beam in accordance with Assembly Principle 1. Top assembly and Assembly Principle 2. Side assembly

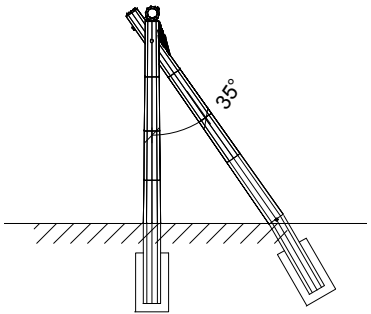
Net to be made of taifun rope and assembled in accordance with Assembly Principle 4.

Knotted rope to be made of taifun and assembled in accordance with Assembly Principle 22.

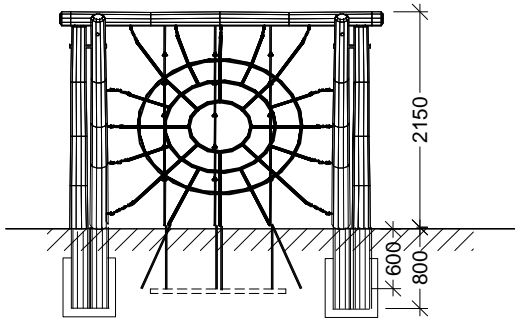
Foundation and marking Assembly Principle 19.

Concrete required: 2 sacks of dry concrete/hole

Height of fall: 2.15 m

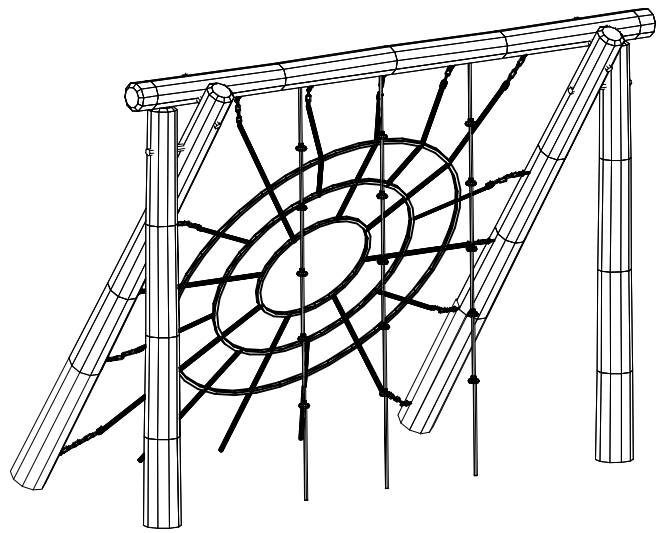


Front

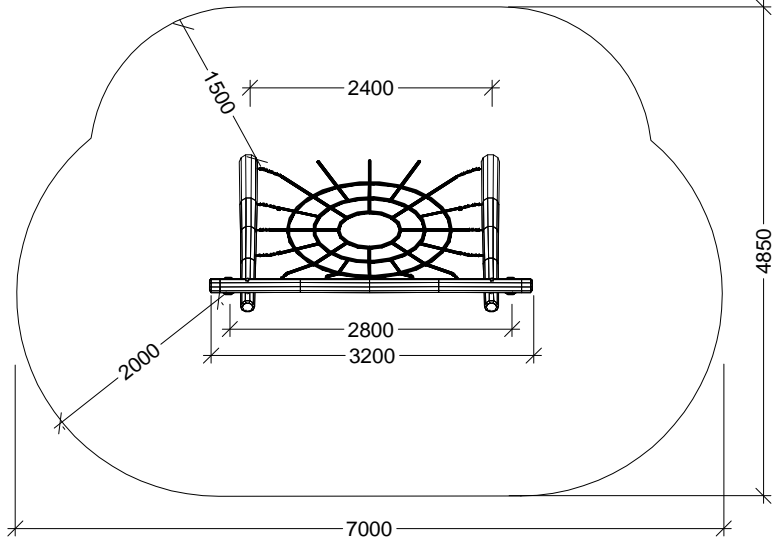


Side view

The posts must be concreted into place



Perspective



Plan