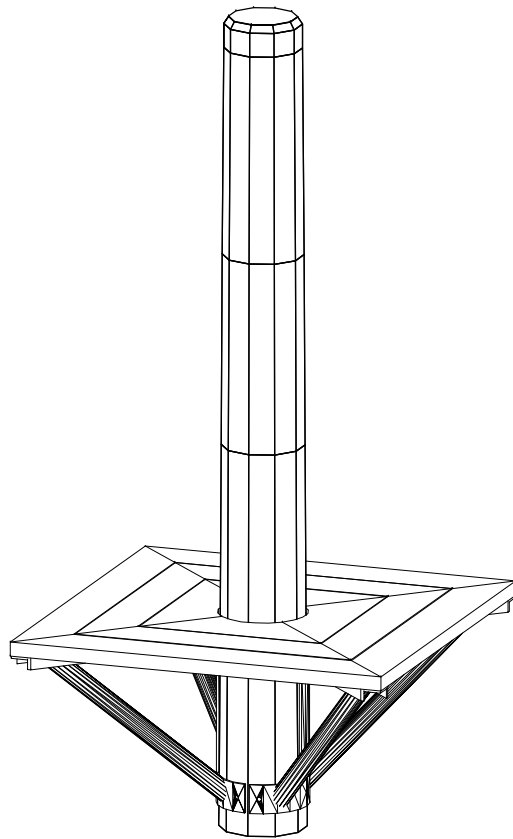


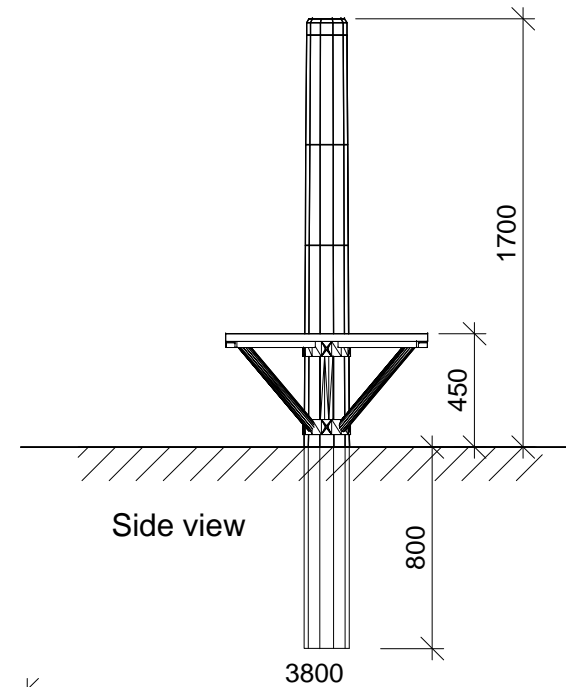
Robinia Plate Post		
LE no. 20527	MAIN DRAWING	scale : 1:30 / 1:50

DATE **04.11.2005**
 REV. A: 25.02.2009

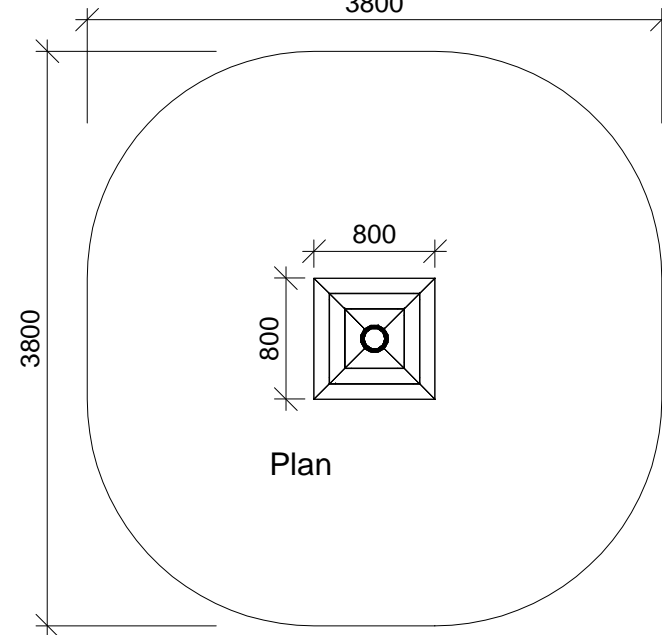
Post diameter 180
 Plate - 32 x 90 mm boards larch
 2 sacks of concrete / hole.
 Free fall height: 0.45 m



Perspective



Side view



Plan