

Robinia Gallows with Travelling		
LE no. 20522	MAIN DRAWING	scale : 1:75

DATE	04.08.2004
REV.	A: 26.10.2004
	B: 21.08.2006
	C: 25.02.2009

Legs diameter = 160/180, Boom diameter = 120/140

Legs - booms gathered according to Assembly Principle 1. Top assembly.

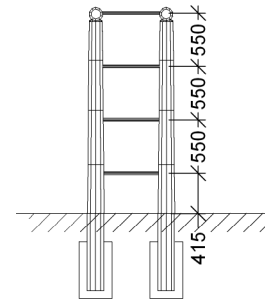
Foundation and marking Assembly Principle 19.

Concrete required: 3 sacks of dry concrete/hole

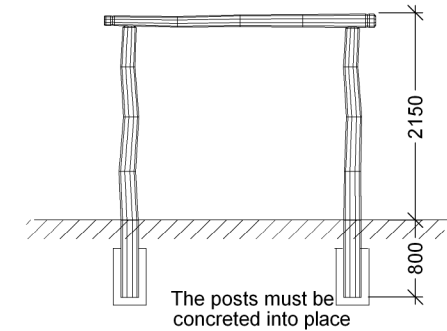
Height of fall: 2.15 m



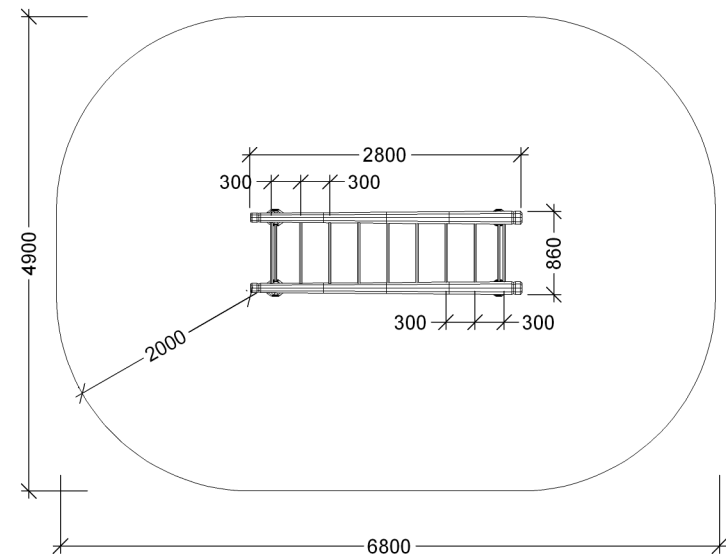
Perspective



Front



Side view



Plan