

<b>Robinia Battering Ram</b>		
LE no. 20512	MAIN DRAWING	scale: 1:75

DATE	<b>09.08.2004</b>
REV.	A: 15.09.2004
	B: 04.11.2005
	C: 21.08.2006
	D: 25.02.2009
	E: 24.02.2011

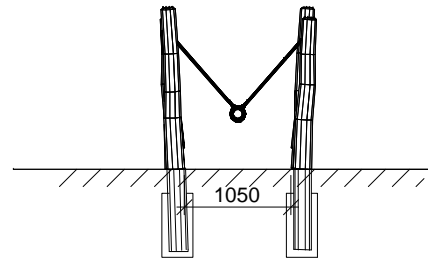
Legs/beam diameter=160/180

Suspension straps to be made of taifun rope and assembled in accordance with Assembly Principle 9.

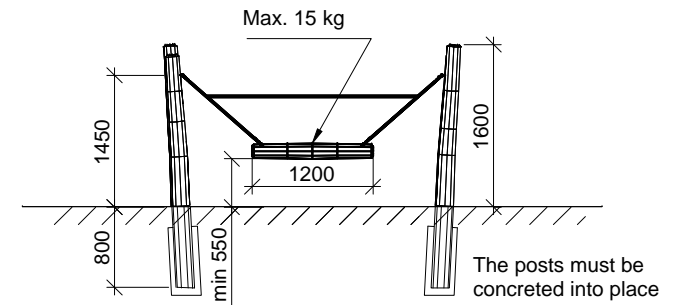
Foundation and marking Assembly Principle 19.

Concrete required: 3 sacks of dry concrete/hole

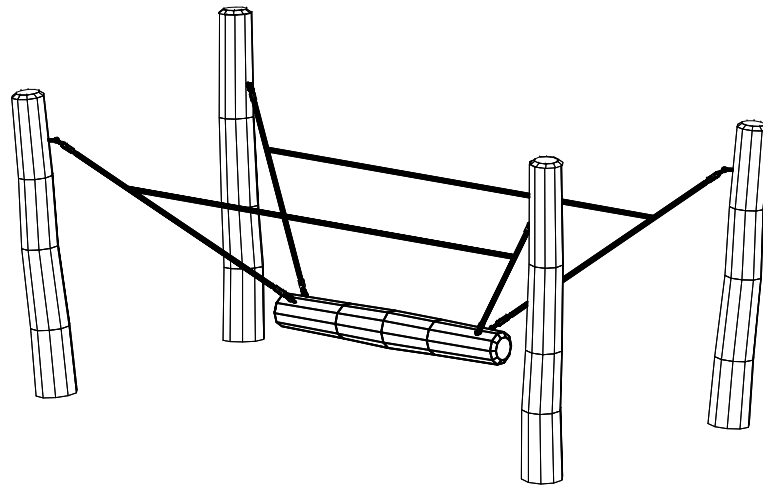
Height of fall: 0.6 m



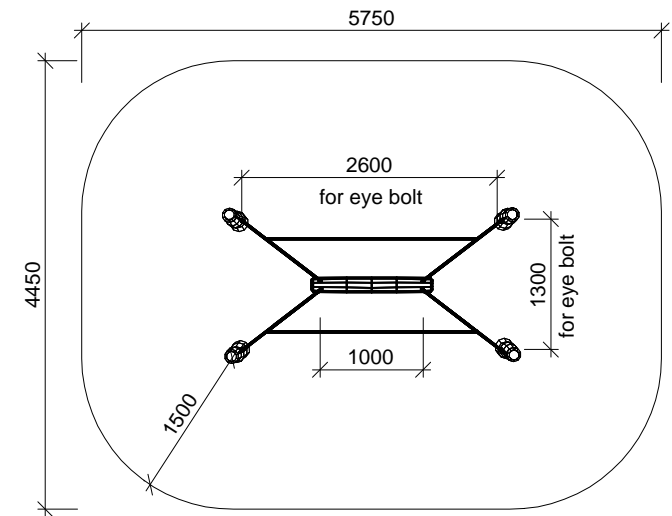
Front



Side view



Perspective



Plan