
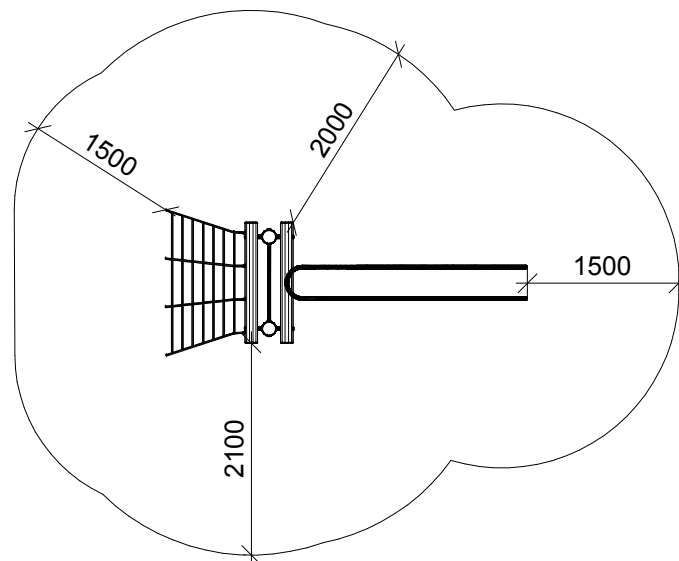
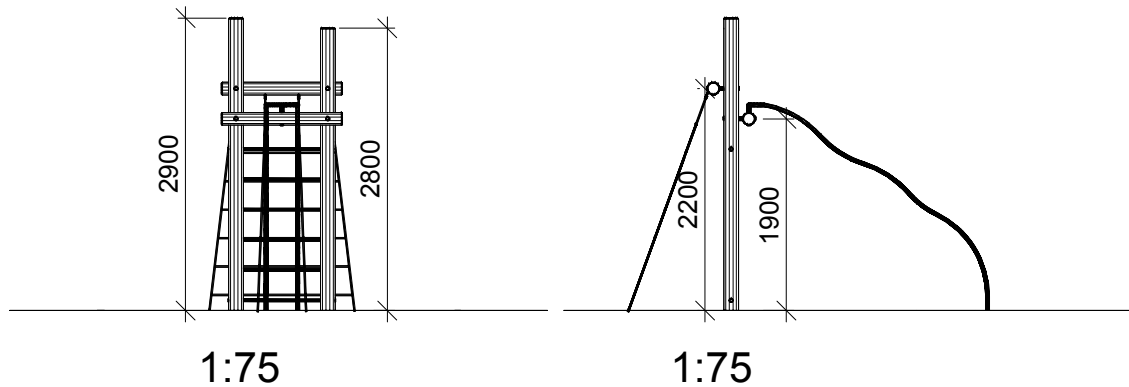
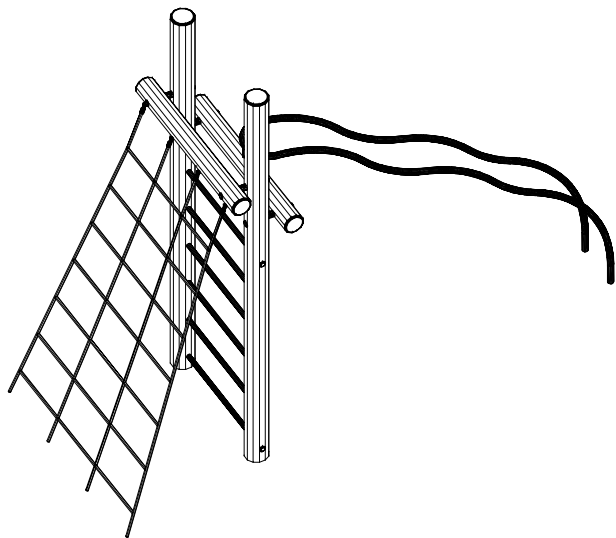


NORLEG	
Robinia klatresystem 2	
LE 20410	
15.06.2015	REV. -

< 2300

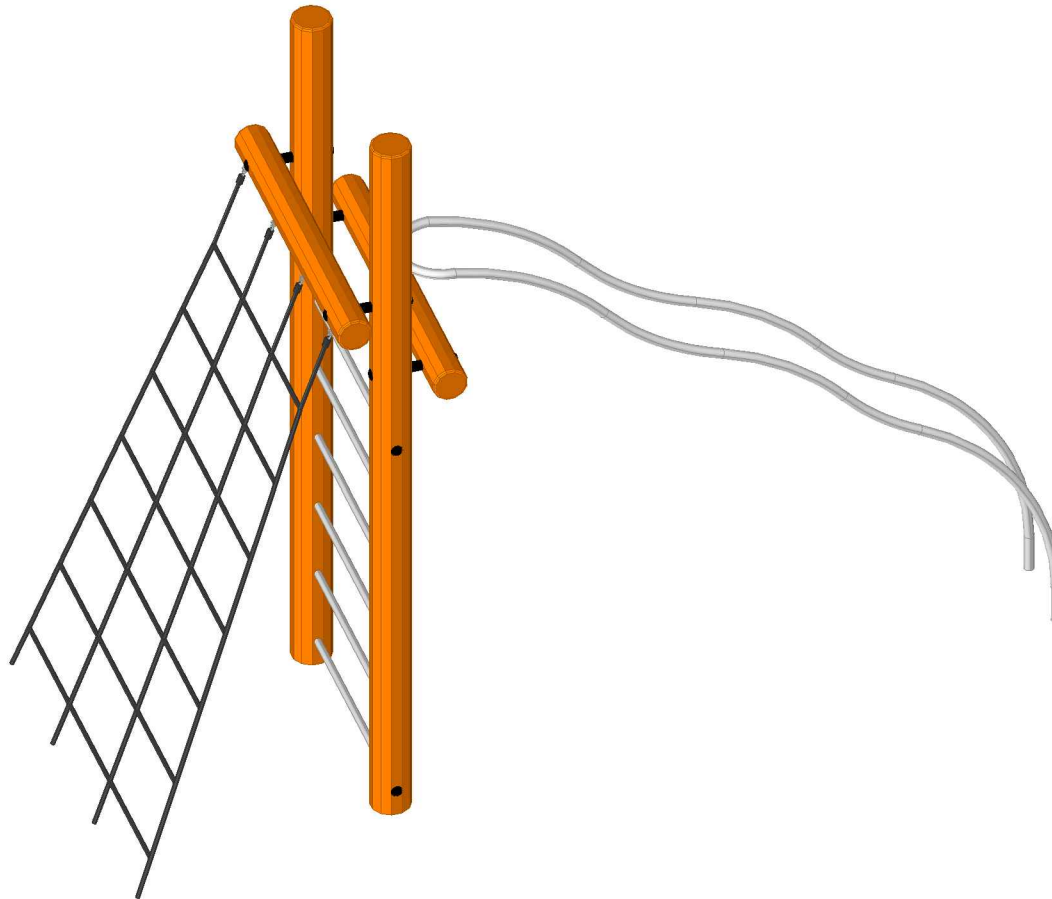


≥ EN 1176



This drawing is the property of NORLEG and pursuant to current legislation may not be copied, transferred to or used by any third party. Should this drawing be used, a fee of 10% of the assumed contract price will be charged.


NORLEG - 3D	
Robinia klatresystem 2	
LE 20410	
15.06.2015	REV. -



This drawing is the property of NORLEG and pursuant to current legislation may not be copied, transferred to or used by any third party. Should this drawing be used, a fee of 10% of the assumed contract price will be charged.

NORLEG - Mont.	
Robinia klatresystem 2	
LE 20410	
15.06.2015	REV. -

< 2300

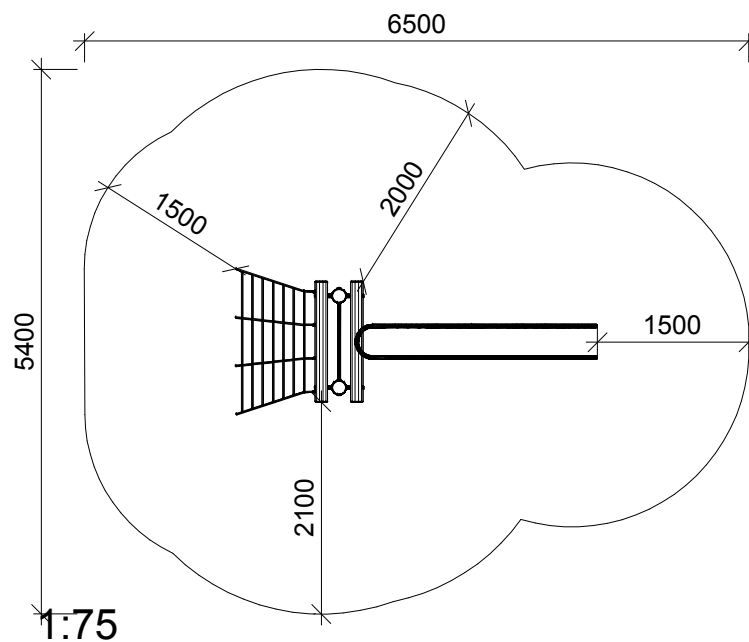
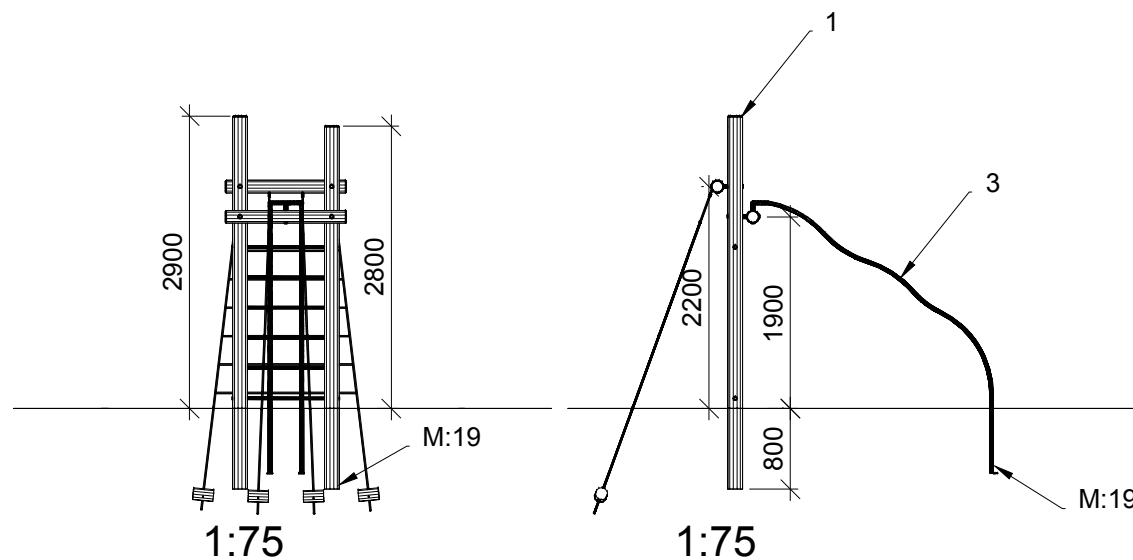
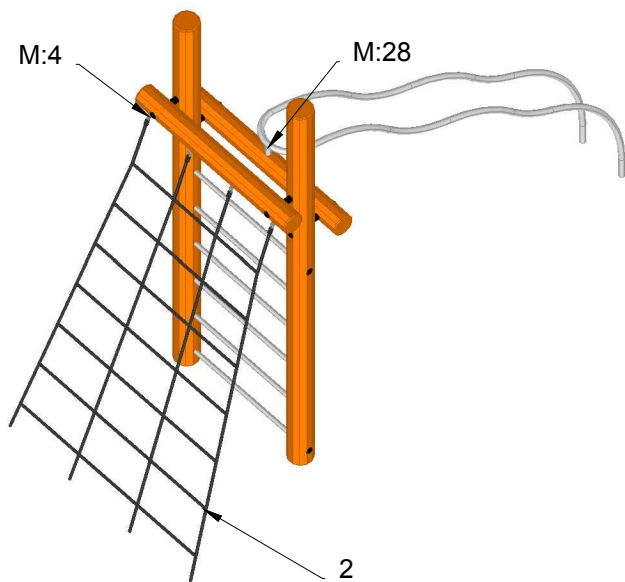


≥ EN 1176

Mont.p. nr.

2
4
19
28

Parts list		
Mrk.	QTY	Part.no
1	1	LE 20310
2	1	LE 26020
3	1	LE 20372



This drawing is the property of NORLEG and pursuant to current legislation may not be copied, transferred to or used by any third party. Should this drawing be used, a fee of 10% of the assumed contract price will be charged.