
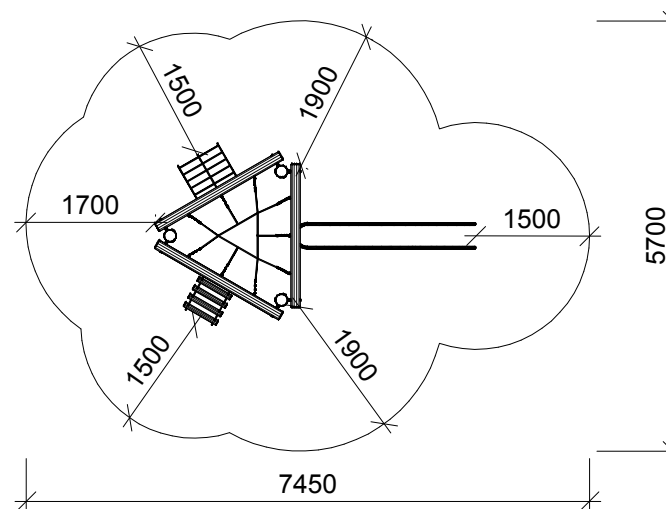
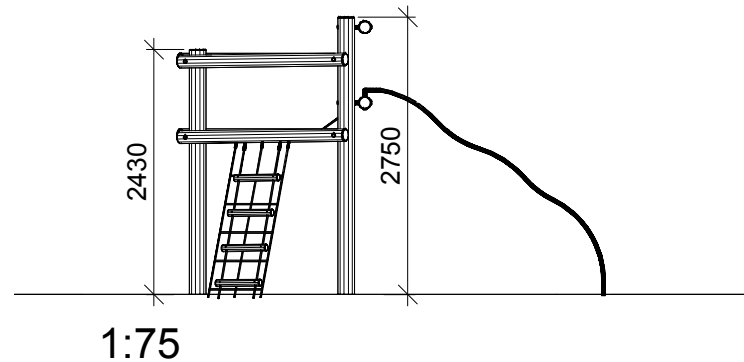
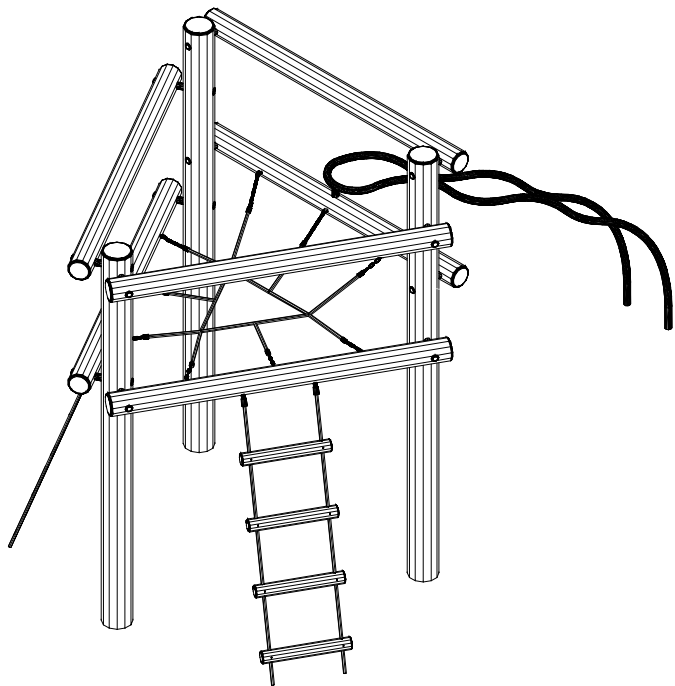


<b>NORLEG</b>	
Robinia klatresystem 3	
LE 20408	
02.03.2015	REV. -

< 2000



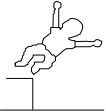
≥ EN 1176



This drawing is the property of NORLEG and pursuant to current legislation may not be copied, transferred to or used by any third party. Should this drawing be used, a fee of 10% of the assumed contract price will be charged.

<b>NORLEG</b>	
Robinia klatresystem 3	
LE 20408	
02.03.2015	REV. -

< 2000




≥ EN 1176



<b>NORLEG</b> - Mont.	
<b>Robinia klatresystem 3</b>	
LE 20408	
02.03.2015	REV. -

< 2000



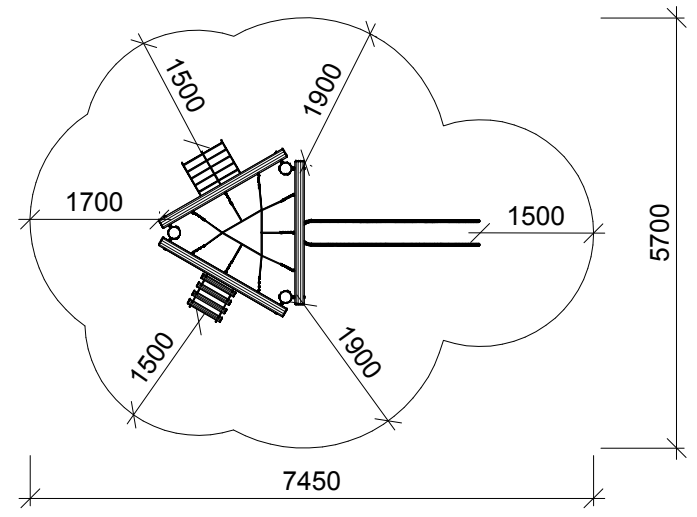
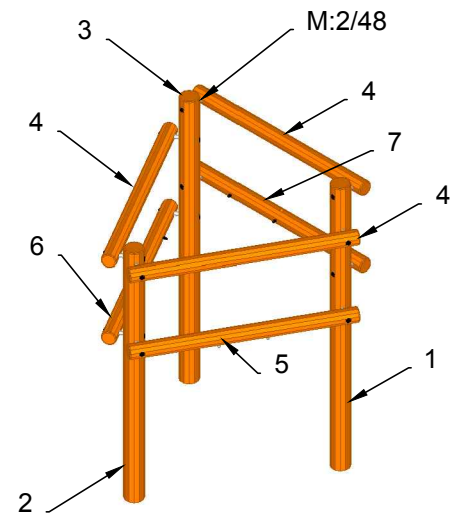
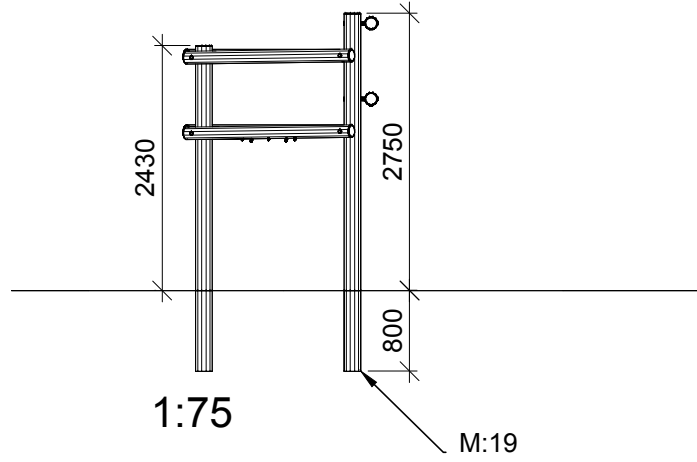
≥ EN 1176

Mont.p. nr.

2  
19  
48

Parts list		
Mrk.	QTY	Part.no
1	1	160-180-3550
2	1	160-180-3230
3	1	160-180-3550
4	3	120-140-1900

Parts list		
Mrk.	QTY	Part.no
5	1	120-140-1900
6	1	120-140-1900
7	1	120-140-1900



1:100

This drawing is the property of NORLEG and pursuant to current legislation may not be copied, transferred to or used by any third party. Should this drawing be used, a fee of 10% of the assumed contract price will be charged.