
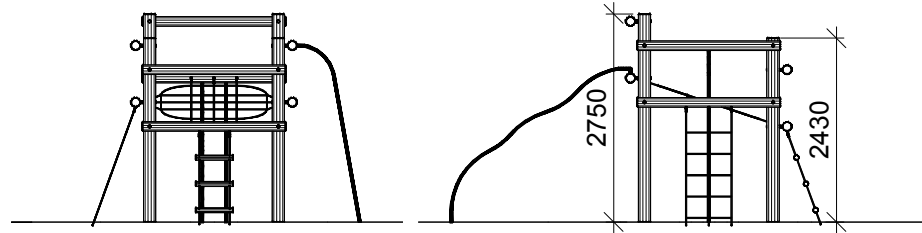
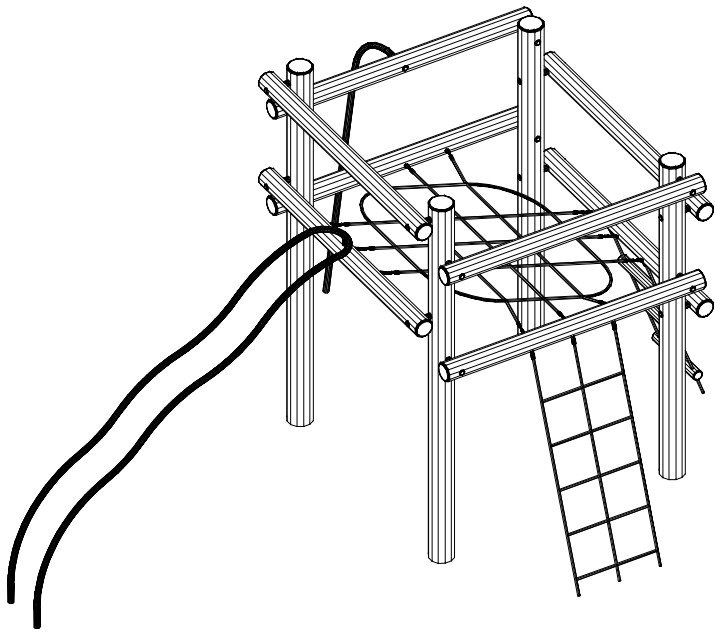


NORLEG	
Robinia klatresystem 4	
LE 20406	
28.04.2015	REV. -

< 2000

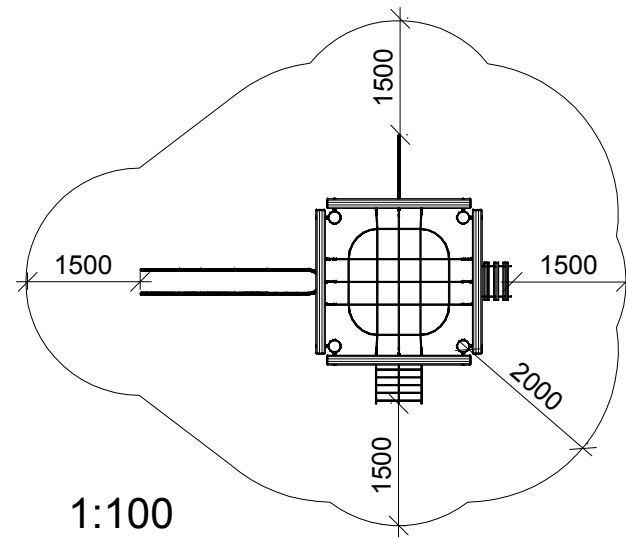


≥ EN 1176



1:100

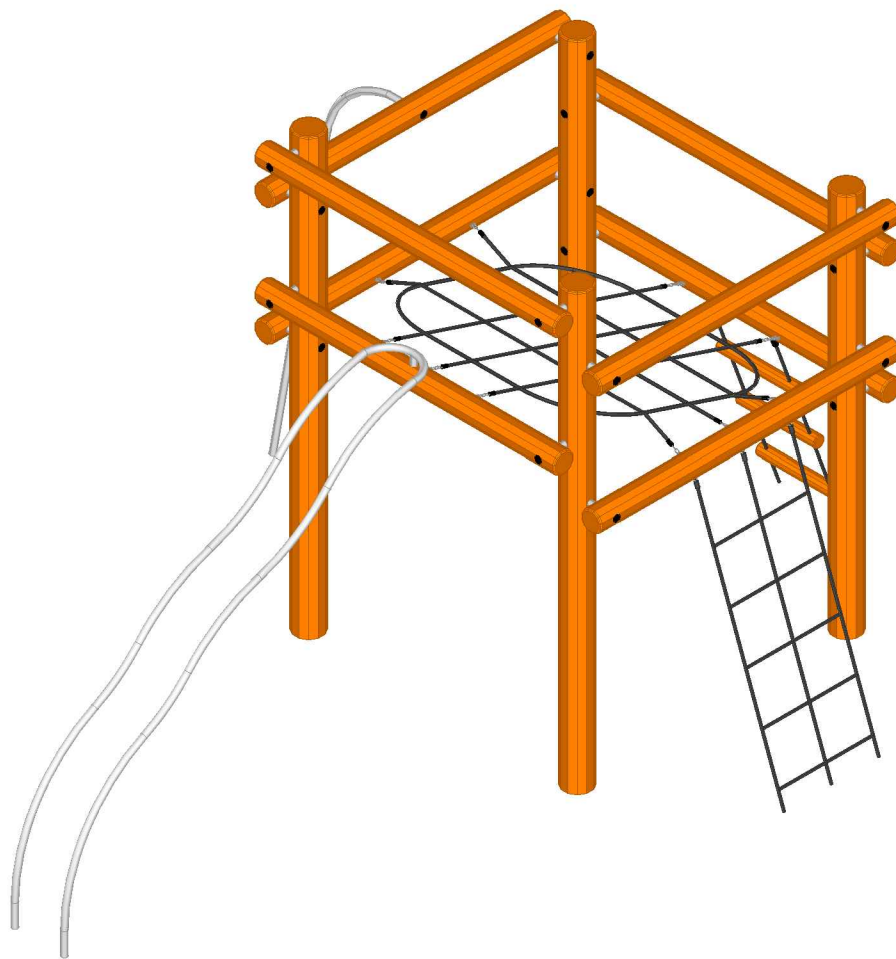
1:100



1:100

This drawing is the property of NORLEG and pursuant to current legislation may not be copied, transferred to or used by any third party. Should this drawing be used, a fee of 10% of the assumed contract price will be charged.


NORLEG	
Robinia klatresystem 4	
LE 20406	
xx.04.2015	REV. -



This drawing is the property of NORLEG and pursuant to current legislation may not be copied, transferred to or used by any third party. Should this drawing be used, a fee of 10% of the assumed contract price will be charged.

NORLEG - Mont.	
Robinia klatresystem 4	
LE 20406	
28.04.2015	REV. -

< 2000



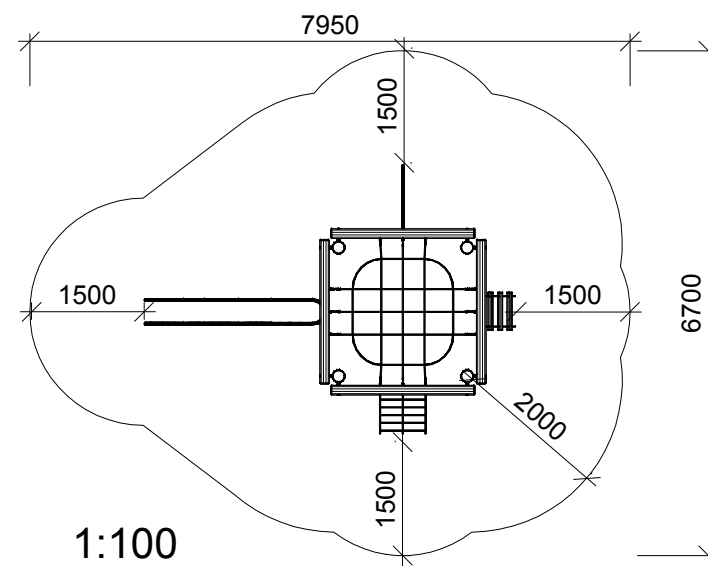
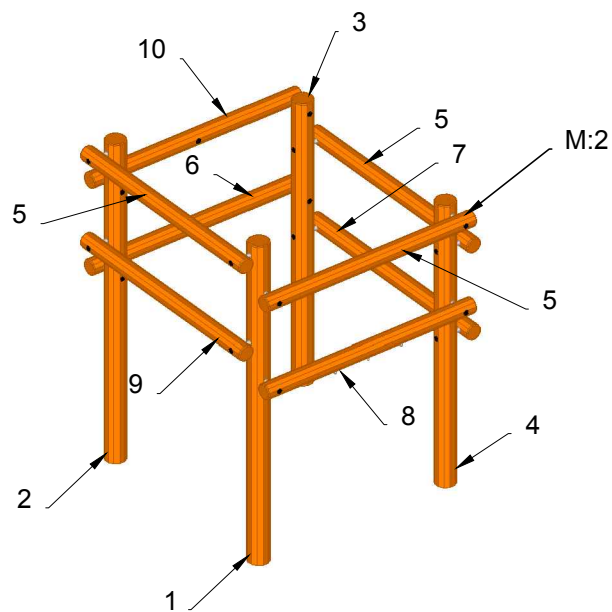
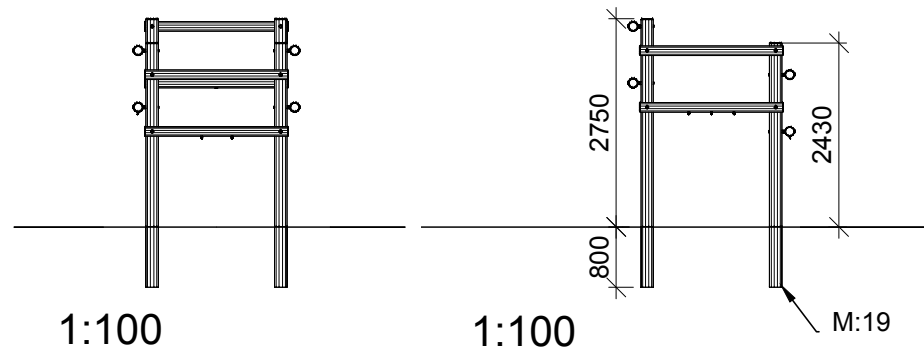
≥ EN 1176

Mont.p. nr.

2
19


Parts list		
Mrk.	QTY	Part.no
1	1	160-180-3550
2	1	160-180-3550
3	1	160-180-3230
4	1	160-180-3230
5	3	120-140-1900

Parts list		
Mrk.	QTY	Part.no
6	1	120-140-1900
7	1	120-140-1900
8	1	120-140-1900
9	1	120-140-1900
10	1	120-140-1900



NORLEG - Mont.	
Robinia klatresystem 4	
LE 20406	
28.04.2015	REV. -

< 2000

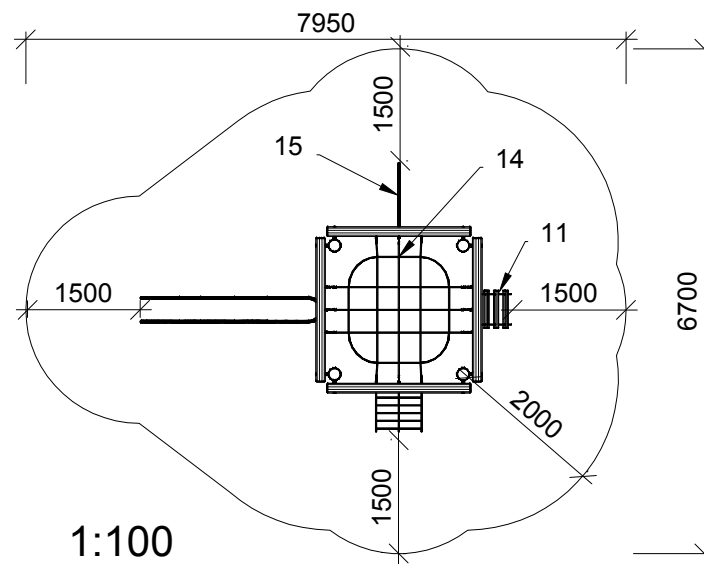
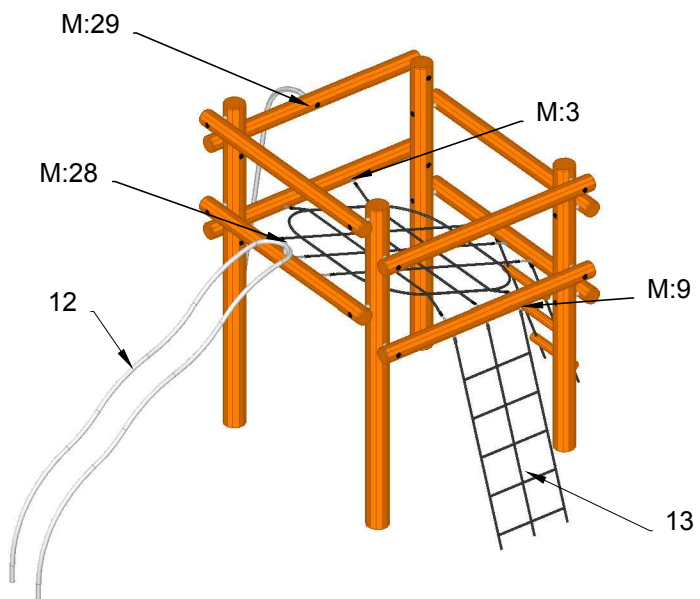
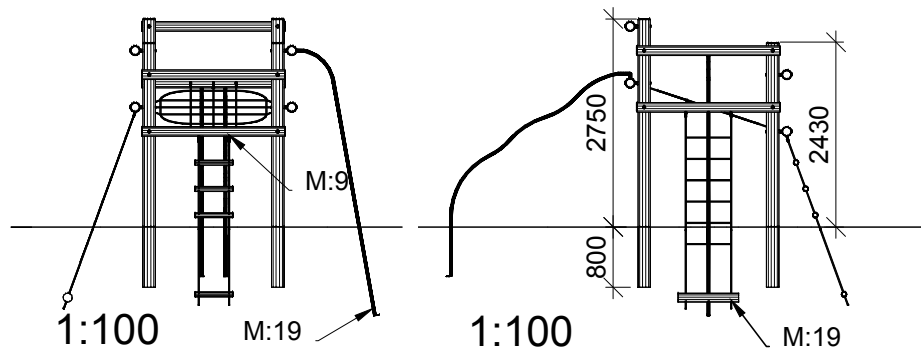


≥ EN 1176

Mont.p. nr.

3
9
19
28
29

Parts list		
Mrk.	QTY	Part.no
11	1	LE 20364
12	1	LE 20372
13	1	LE 26022
14	1	LE 26004
15	1	LE 20370



This drawing is the property of NORLEG and pursuant to current legislation may not be copied, transferred to or used by any third party. Should this drawing be used, a fee of 10% of the assumed contract price will be charged.