
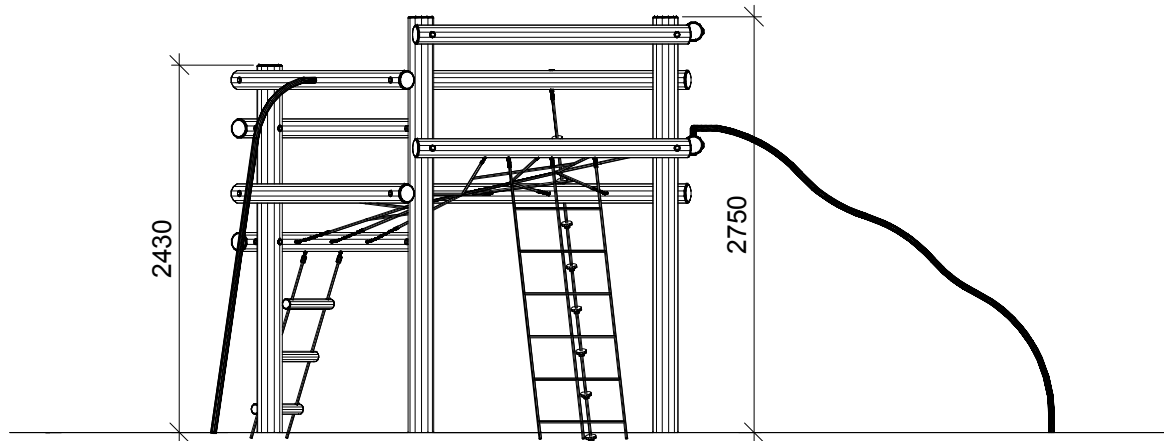
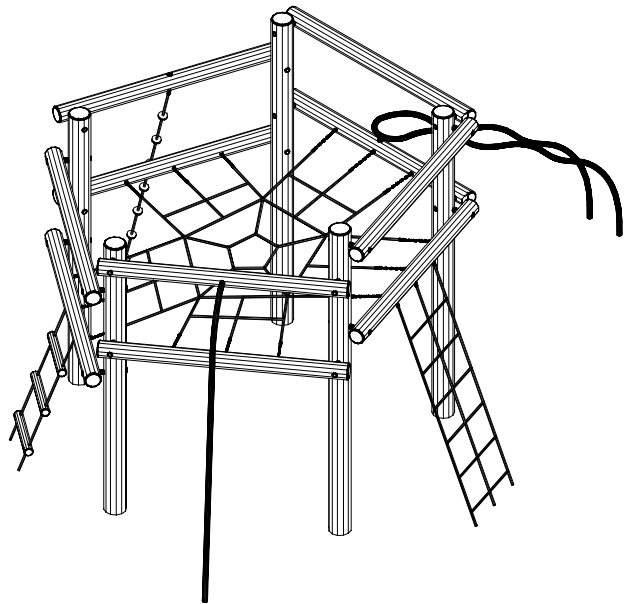


NORLEG	
Robinia klatresystem 5	
LE 20404	
07.07.2015	REV. -

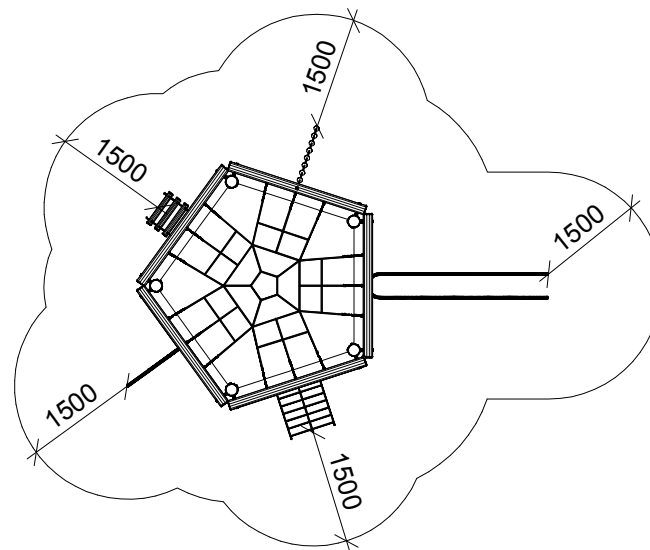
< 2000



≥ EN 1176



1:50



1:100

This drawing is the property of NORLEG and pursuant to current legislation may not be copied, transferred to or used by any third party. Should this drawing be used, a fee of 10% of the assumed contract price will be charged.

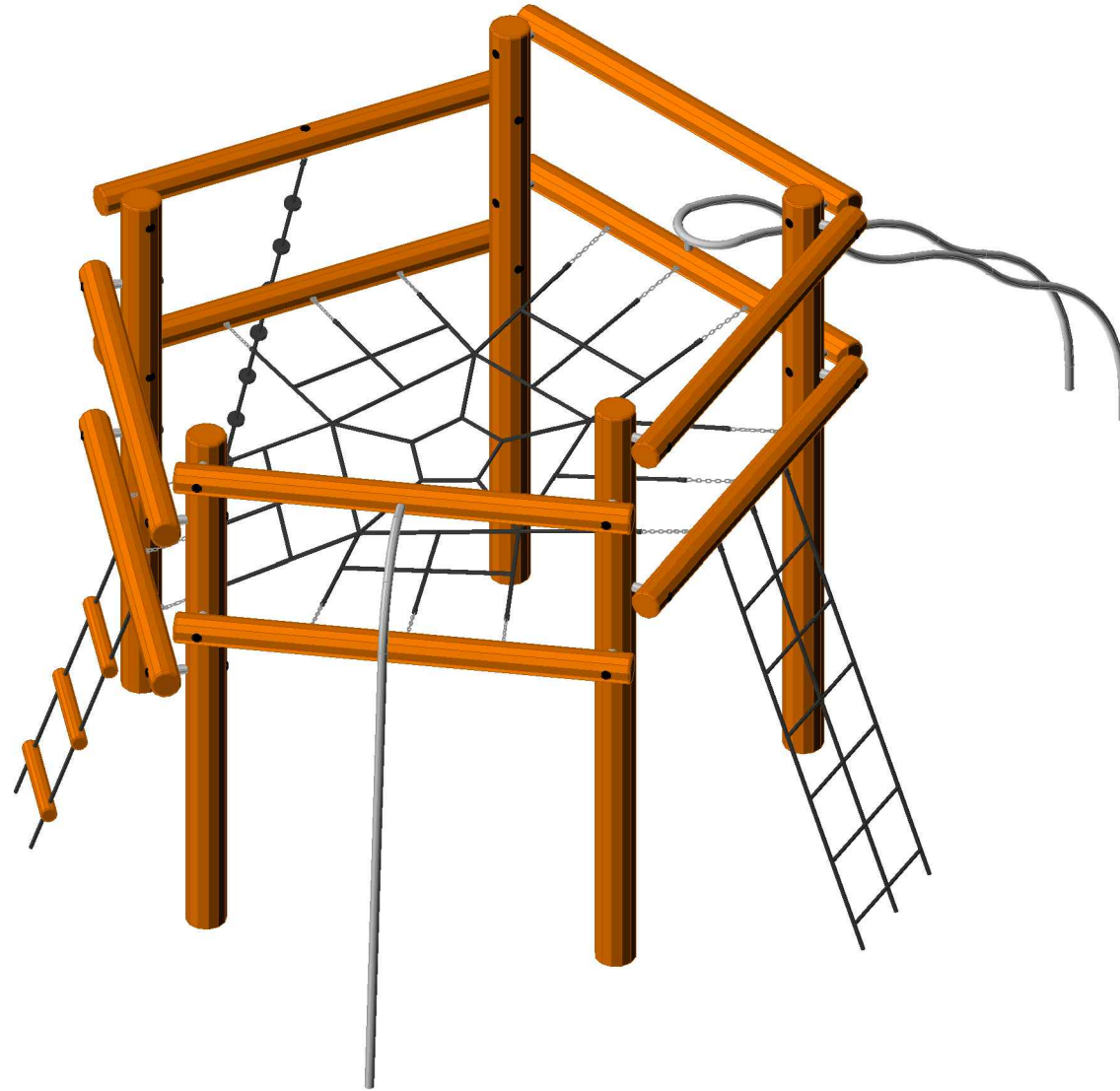
NORLEG - 3D

Robinia klatresystem 5

LE 20404


07.07.2015

REV. -



NORLEG - Mont.	
Robinia klatresystem 5	
LE 20404	
07.07.2015	REV. -

< 2000



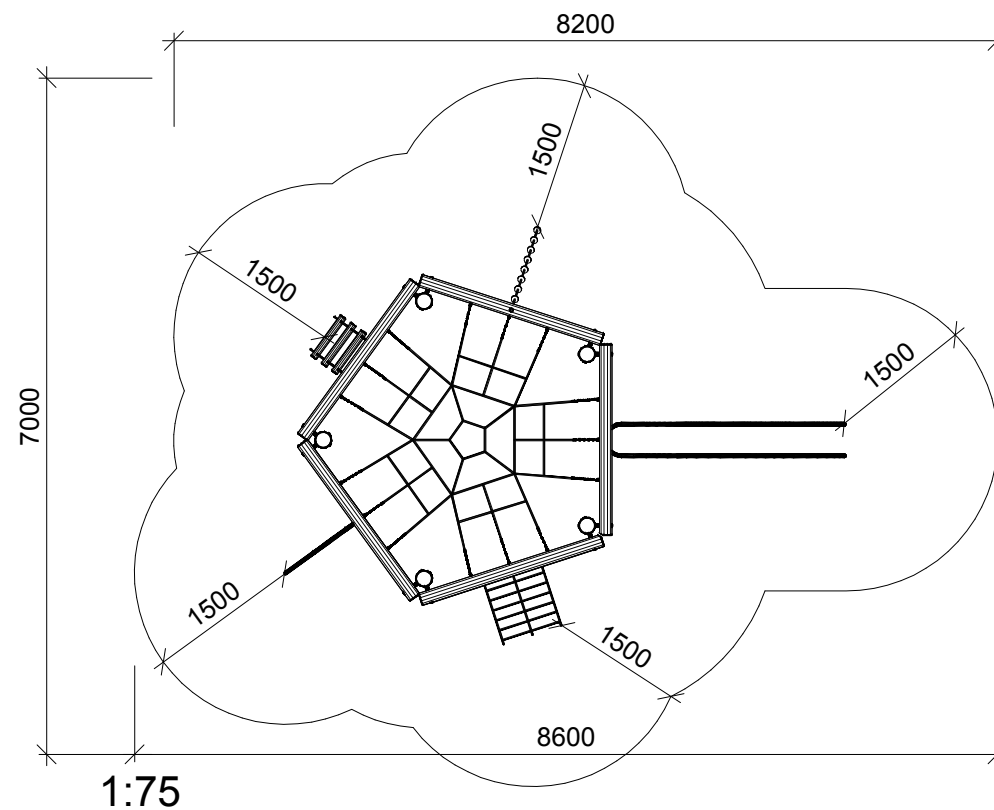
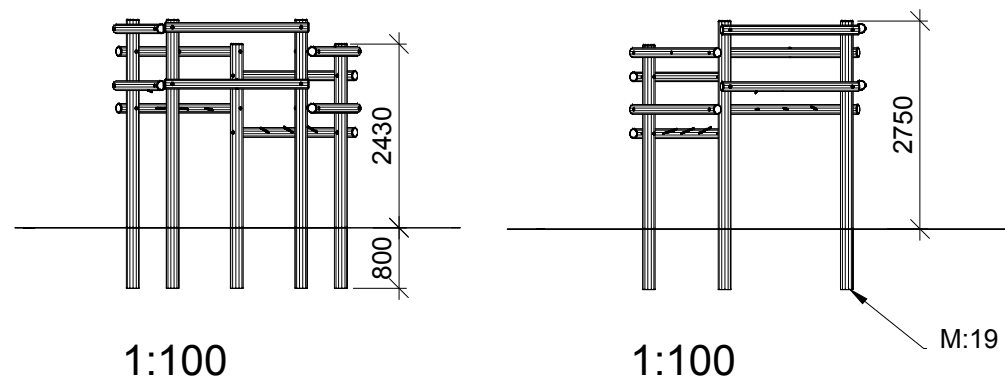
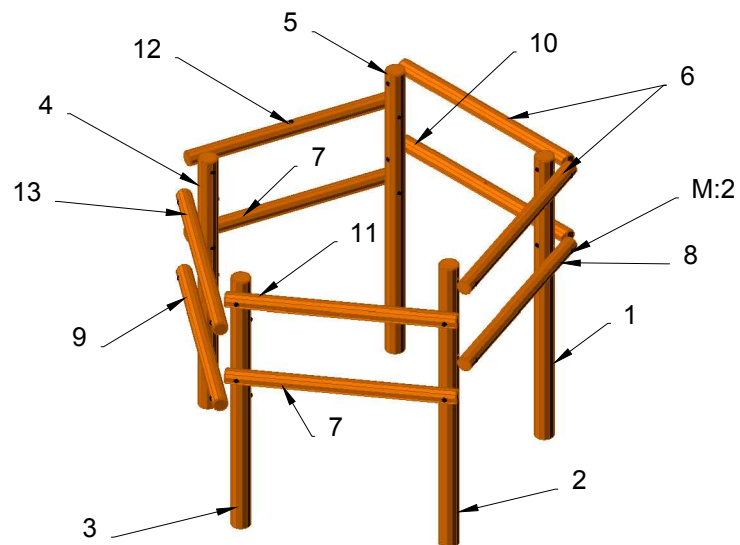
≥ EN 1176

Mont.p. nr.

2
19

Parts list		
Mrk.	QTY	Part.no
1	1	160-180-3550
2	1	160-180-3550
3	1	160-180-3230
4	1	160-180-3230
5	1	160-180-3550
6	2	120-140-1900
7	2	120-140-1900

Parts list		
Mrk.	QTY	Part.no
8	1	120-140-1900
9	1	120-140-1900
10	1	120-140-1900
11	1	120-140-1900
12	1	120-140-1900
13	1	120-140-1900



This drawing is the property of NORLEG and pursuant to current legislation may not be copied, transferred to or used by any third party. Should this drawing be used, a fee of 10% of the assumed contract price will be charged.