

Robinia/Steel Swing with Basket Seat		
LE no. 20224	MAIN DRAWING	scale: 1:50 / 1:75

DATE **18.09.2007**  
 REV. A: 30.09.2009

Legs diameter=100 mm

Galv. steel girder

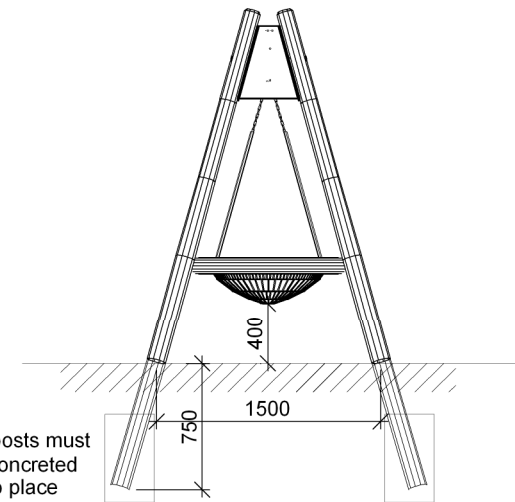
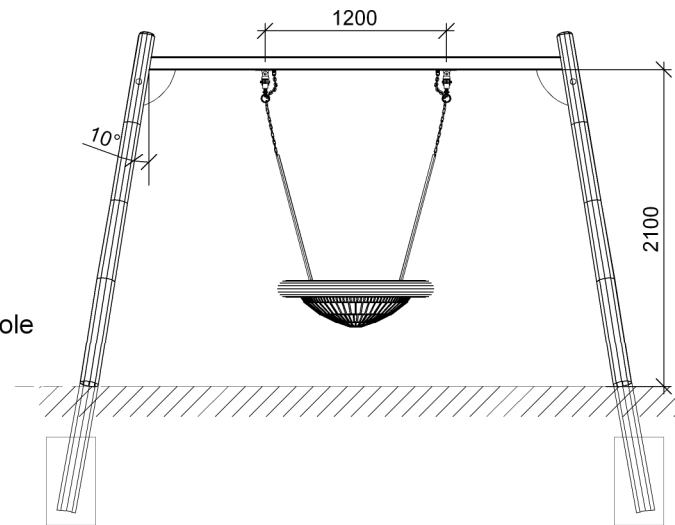
Assemble legs-girder according to Assembly Principle 42.

Mount swing suspension in accordance with Assembly Principle 44.

Foundation and marking Assembly Principle 19.

Concrete required: 1.5 sacks of dry concrete/hole

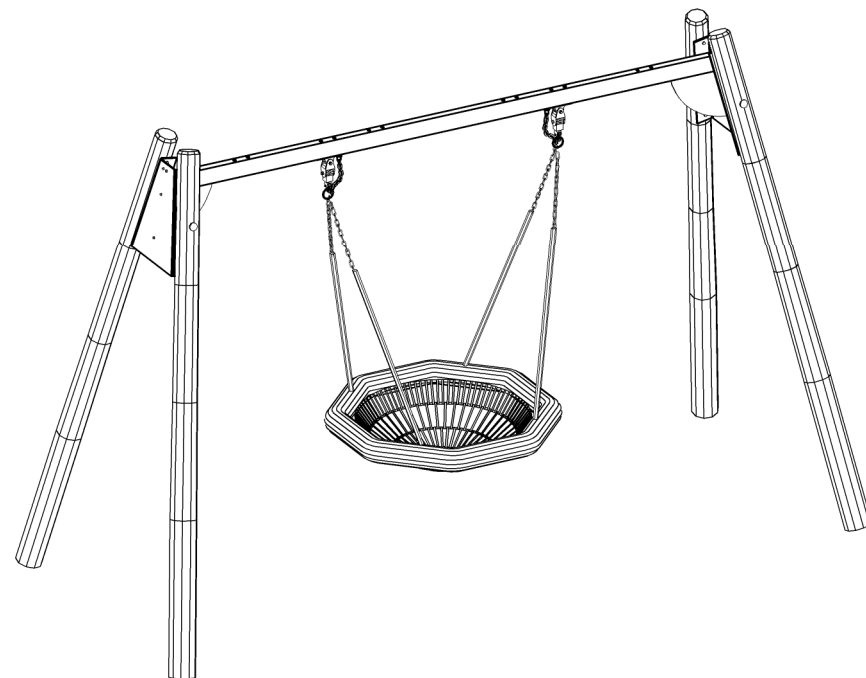
Height of fall: 1.5 m



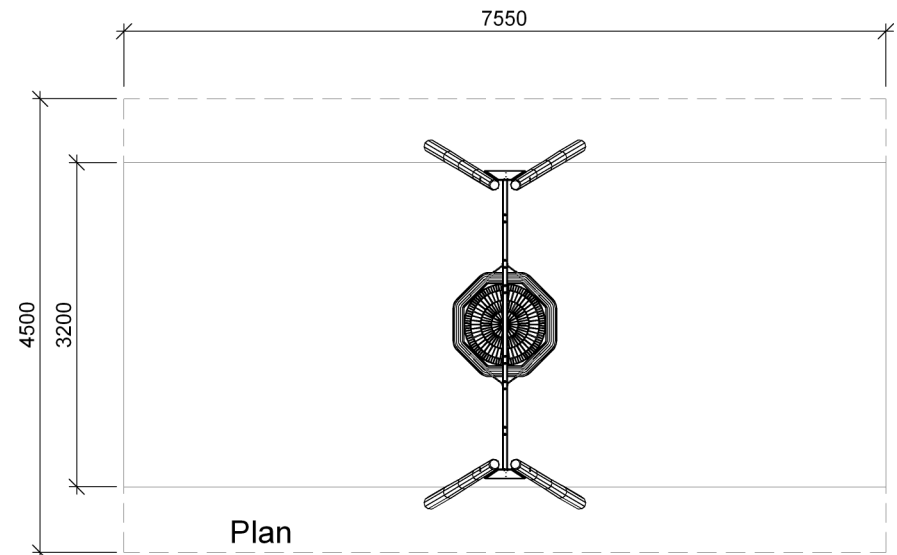
The posts must be concreted into place

Front

Side view



Perspective



Plan