

Robinia/Steel Swing with 2 Tyre Seats		
LE no. 20220	MAIN DRAWING	scale: 1:50 / 1:75

DATE **18.09.2007**
 REV. A: 29.09.2009

Legs diameter=100 mm

Galv. steel girder

Assemble legs-girder according to Assembly Principle 42.

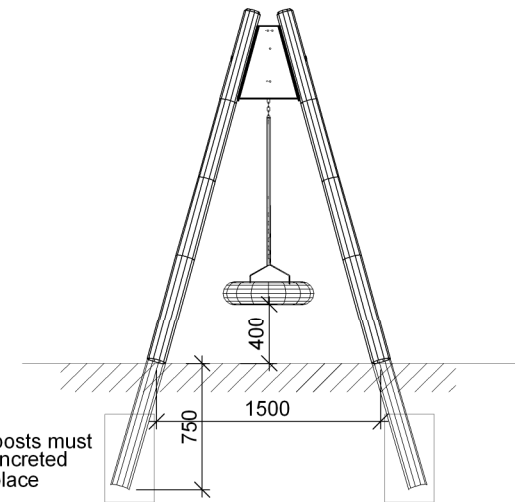
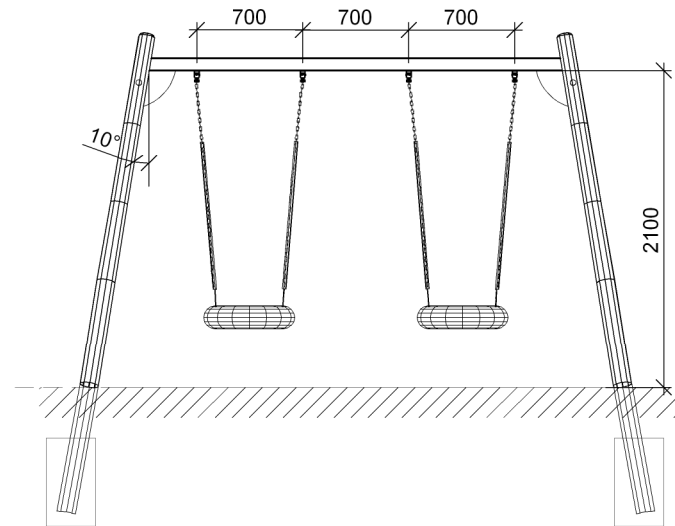
Mount swing suspension in accordance with Assembly Principle 43.

Foundation and marking Assembly Principle 19.

Concrete required:

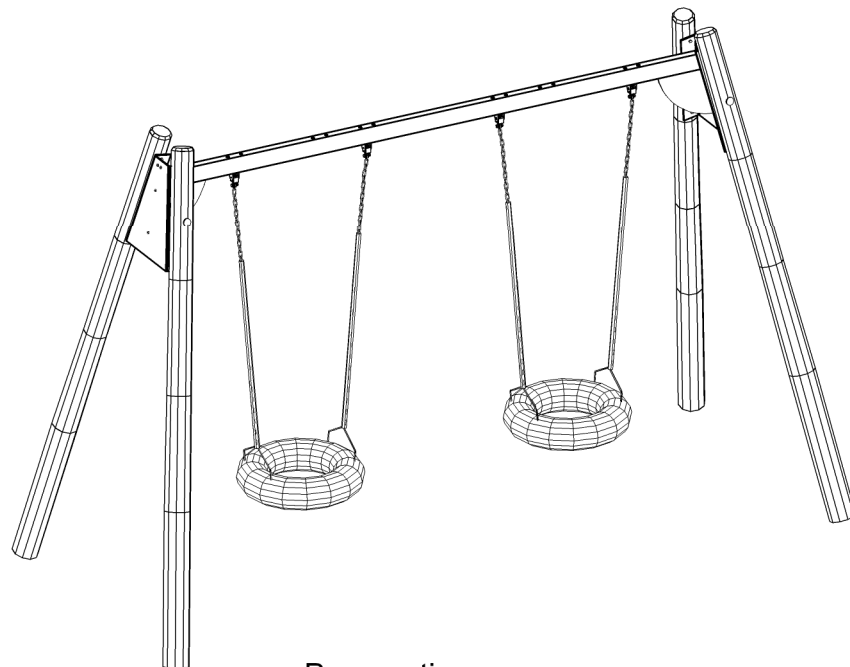
1.5 sacks of dry concrete/hole

Height of fall: 1.3 m



Front

Side view



Perspective

