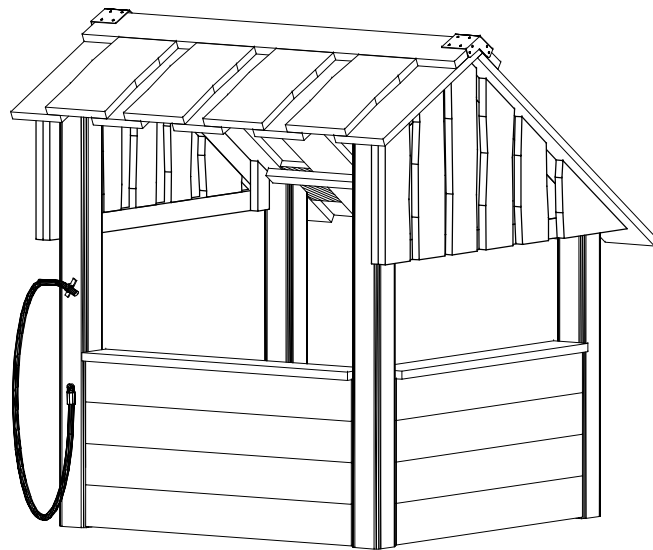
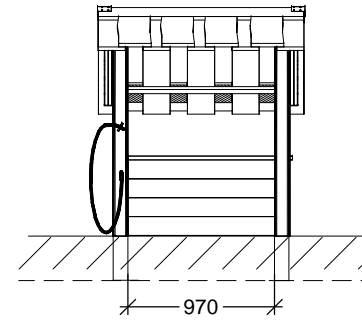


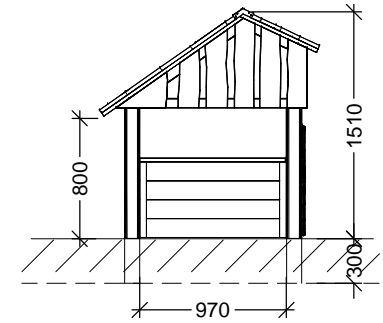
Pumping station		
LE no. 20099	MAIN DRAWING	scale : 1:50



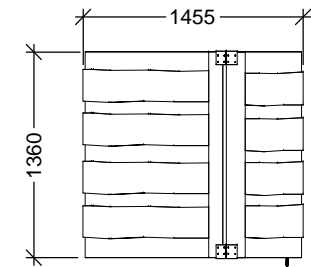
Perspective



Side view



Gable



Plan

Roof, gable:  
- 20 mm planed Kalmar boards.

Timber, etc.  
- 27 x 45, 27 x 60, 45 x 45 mm planed larch.

Side covering:  
- 27 x 120 mm planed larch platform boards

Posts:  
Diameter=160/180 mm