

Gas pump house		
LE no. 20092	MAIN DRAWING	scale : 1:50

DATE	05.12.2005
REV.	A: 14.08.2006
REV.	B: 23.01.2007

Legs:

Diameter = 160/180 mm - Robinia.

Roof, gable:

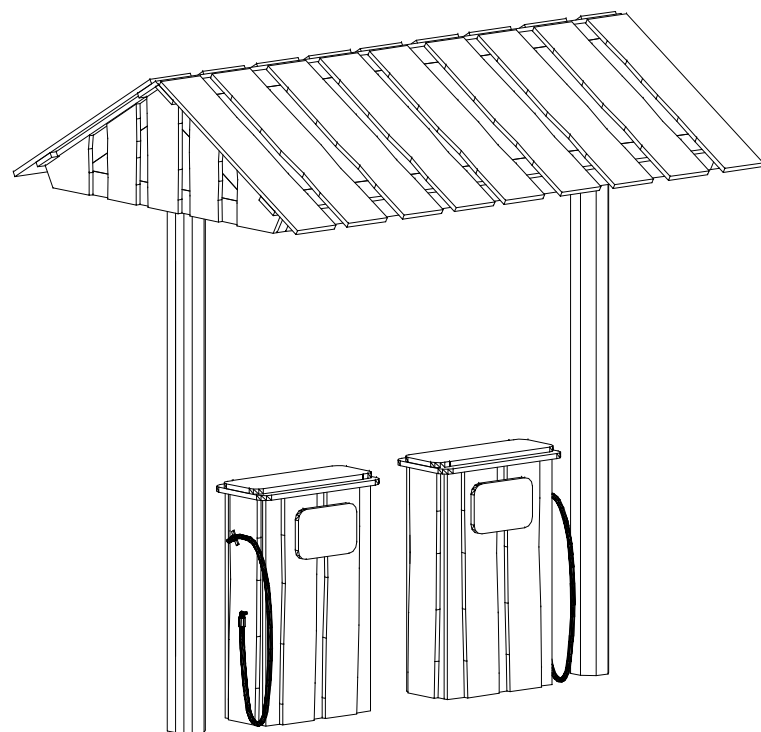
- 20 mm planed Kalmar boards - Robinia.

Rafters:

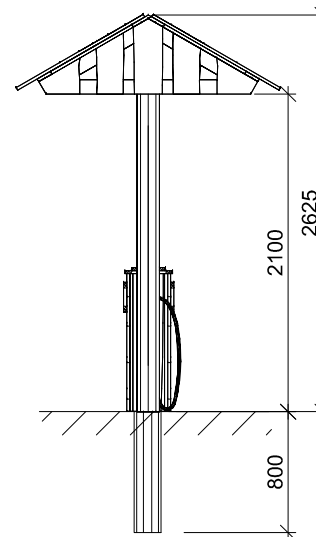
- 45 x 95 mm planed larch.

Moulded bracket for tank - see assembly principle 38.

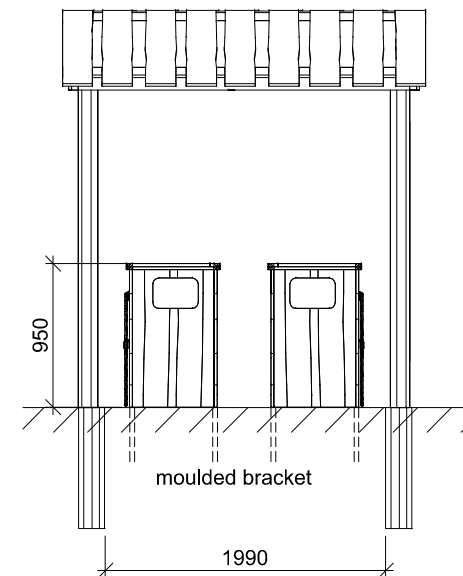
Concrete required: 1 sack dry concrete / hole for posts



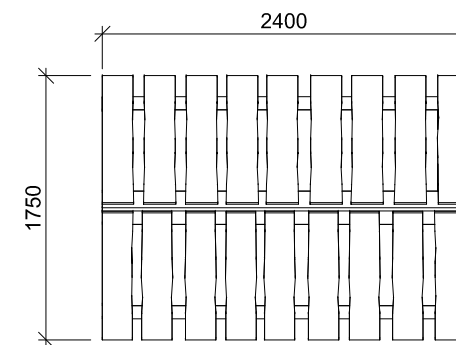
Perspective



Front



Side view



Plan