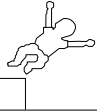
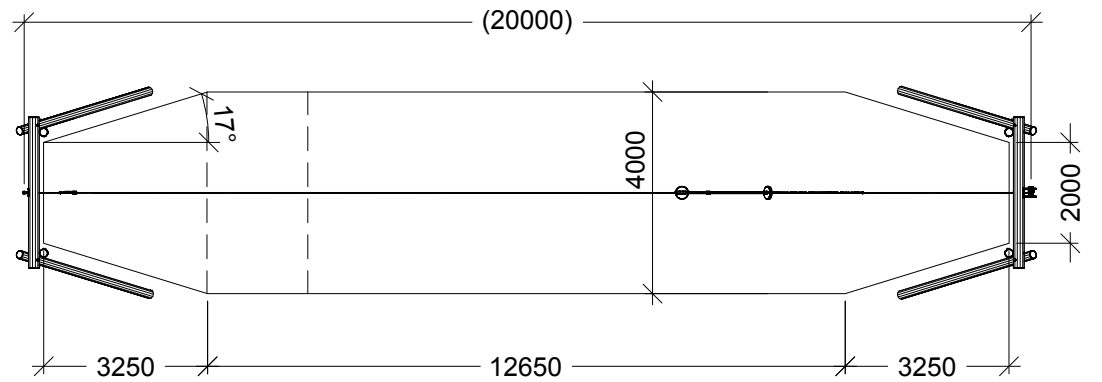
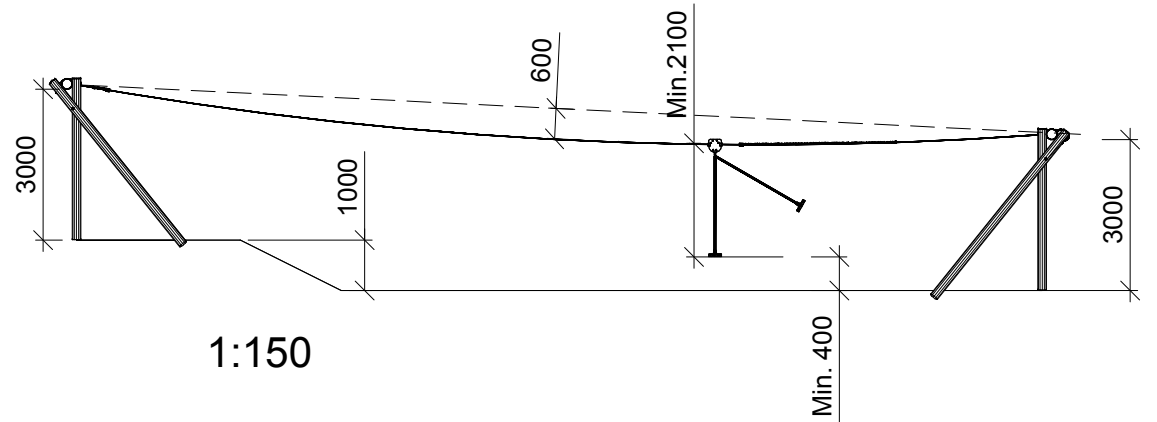
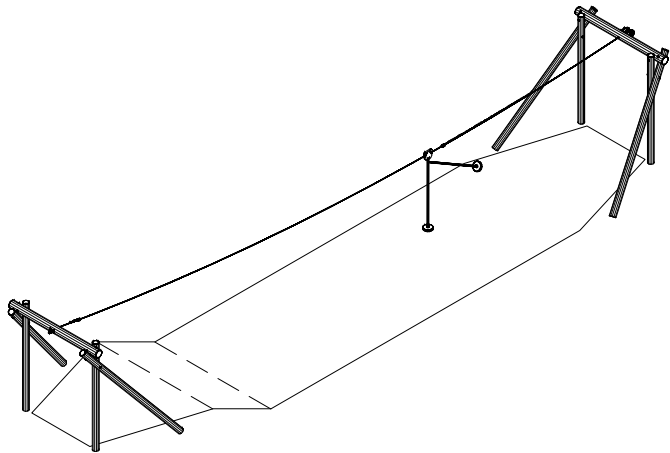


NORLEG	
Robinia svævebane 20 m	
LE 20285	
24.06.2004	REV. 26.09.2016

< 2000

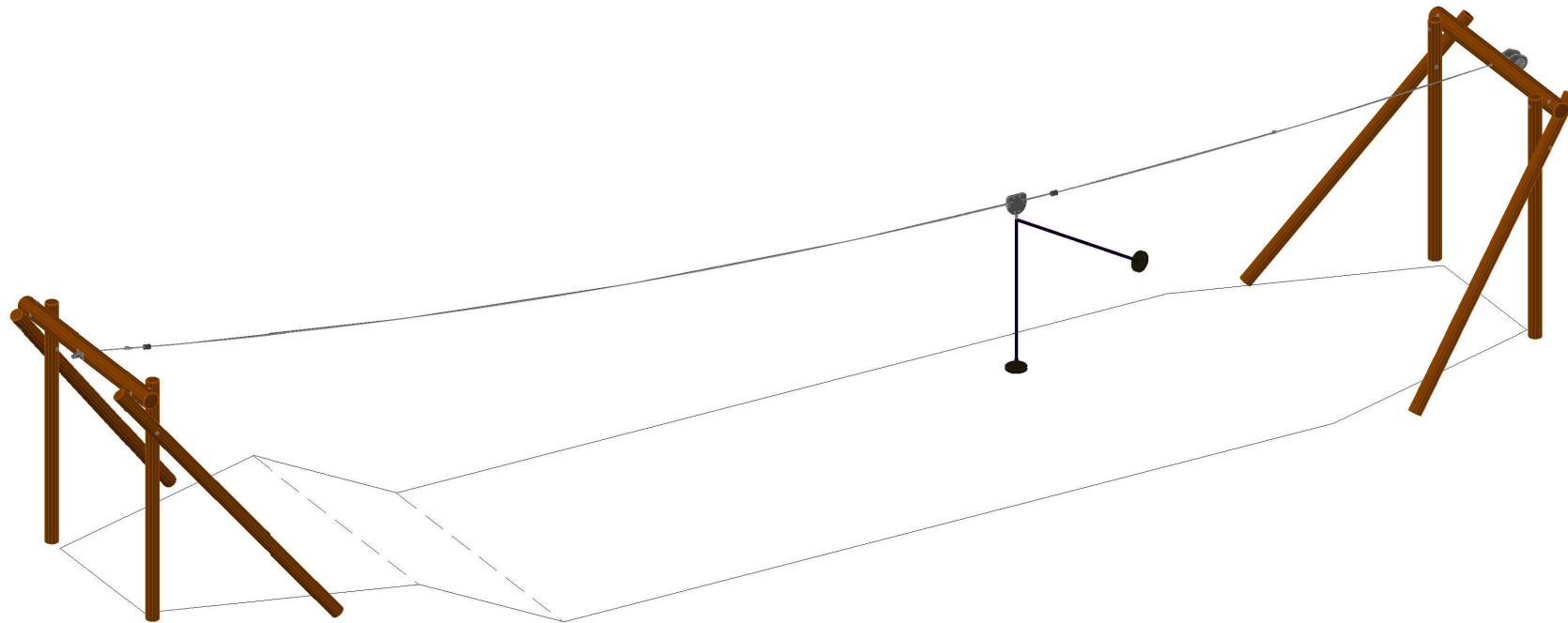


≥ EN 1176



This drawing is the property of NORLEG and pursuant to current legislation may not be copied, transferred to or used by any third party. Should this drawing be used, a fee of 10% of the assumed contract price will be charged.

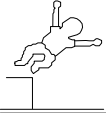
NORLEG - 3D	
Robinia svævebane 20 m	
LE 20285	
24.06.2004	REV. 26.09.2016



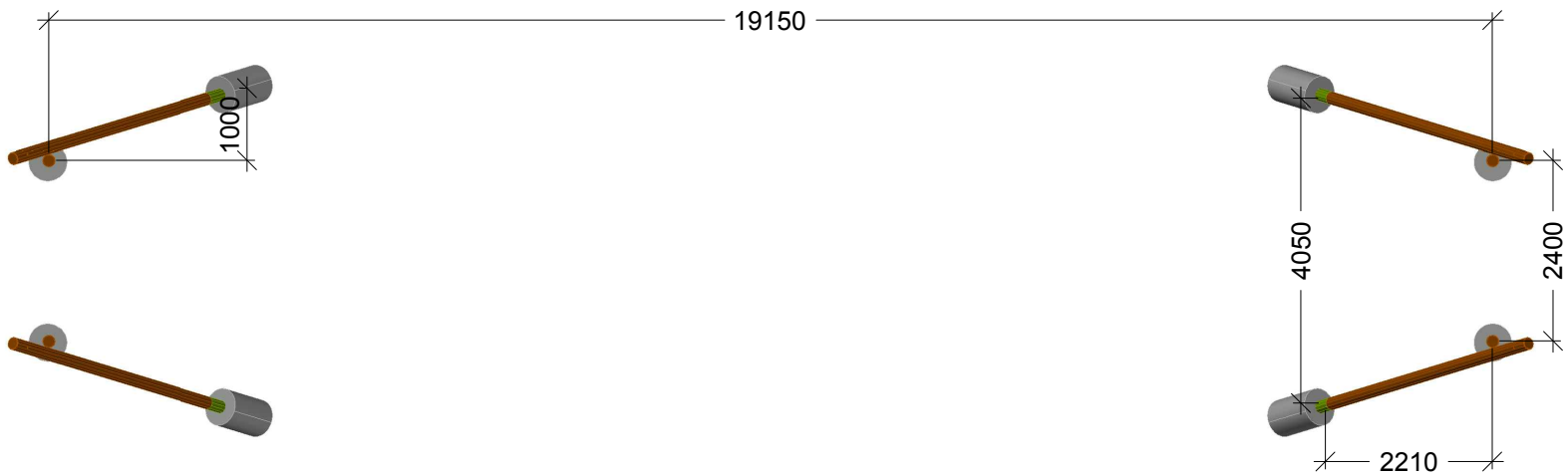
This drawing is the property of NORLEG and pursuant to current legislation may not be copied, transferred to or used by any third party. Should this drawing be used, a fee of 10% of the assumed contract price will be charged.

NORLEG - Mont.	
Robinia svævebane 20 m	
LE 20285	
24.06.2004	REV. 26.09.2016

< 2000



≥ EN 1176




1:100

This drawing is the property of NORLEG and pursuant to current legislation may not be copied, transferred to or used by any third party. Should this drawing be used, a fee of 10% of the assumed contract price will be charged.

NORLEG - Mont.	
Robinia svævebane 20 m	
LE 20285	
24.06.2004	REV. 26.09.2016

< 2000



≥ EN 1176

Mont.p. nr.

2C
19
85

Parts list		
Mrk.	QTY	Part.no
1	2	200-240-3000
2	2	160-180-4000
3	2	160-180-5000
4	2	160-180-5000
5	2	160-180-6000

