
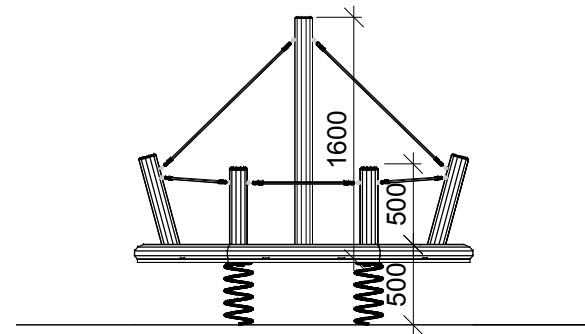
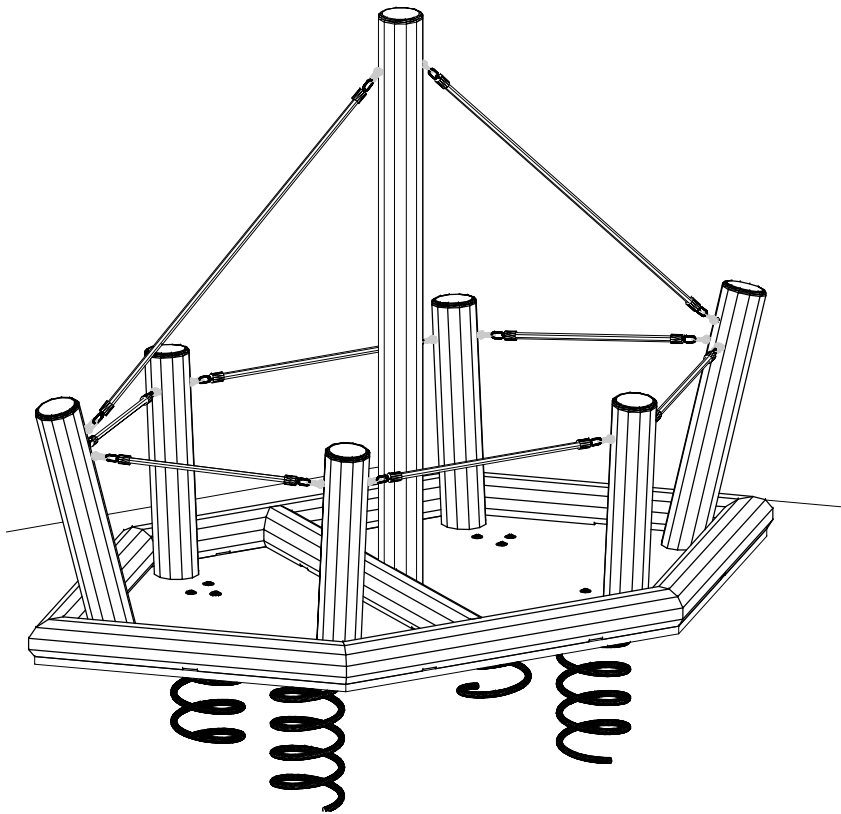


NORLEG	
Vippebåd	
LE 20942	
23.02.2015	REV. -

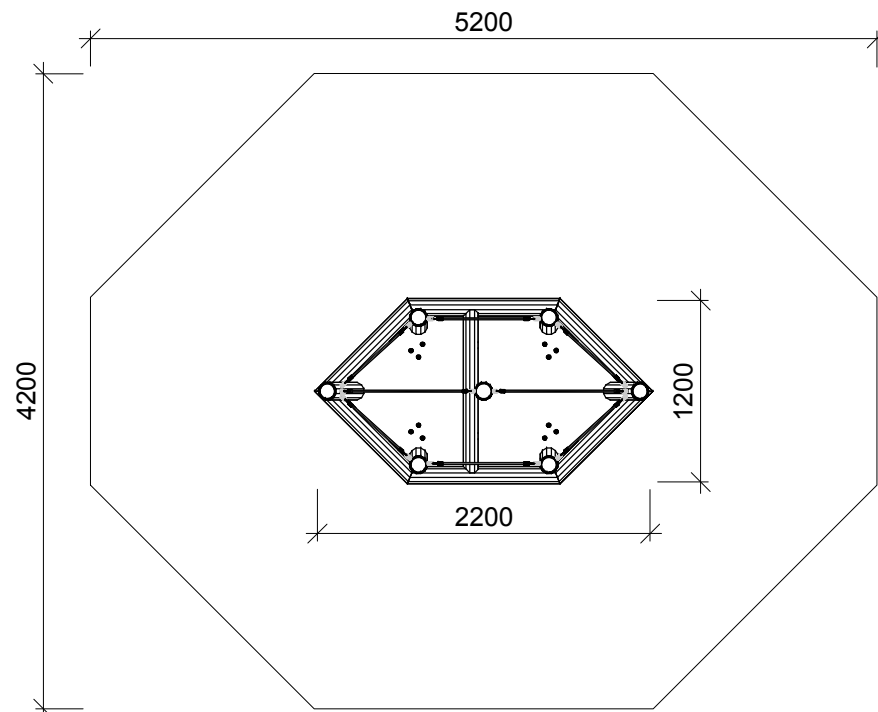
< 1000



≥ EN 1176



1:50




1:50

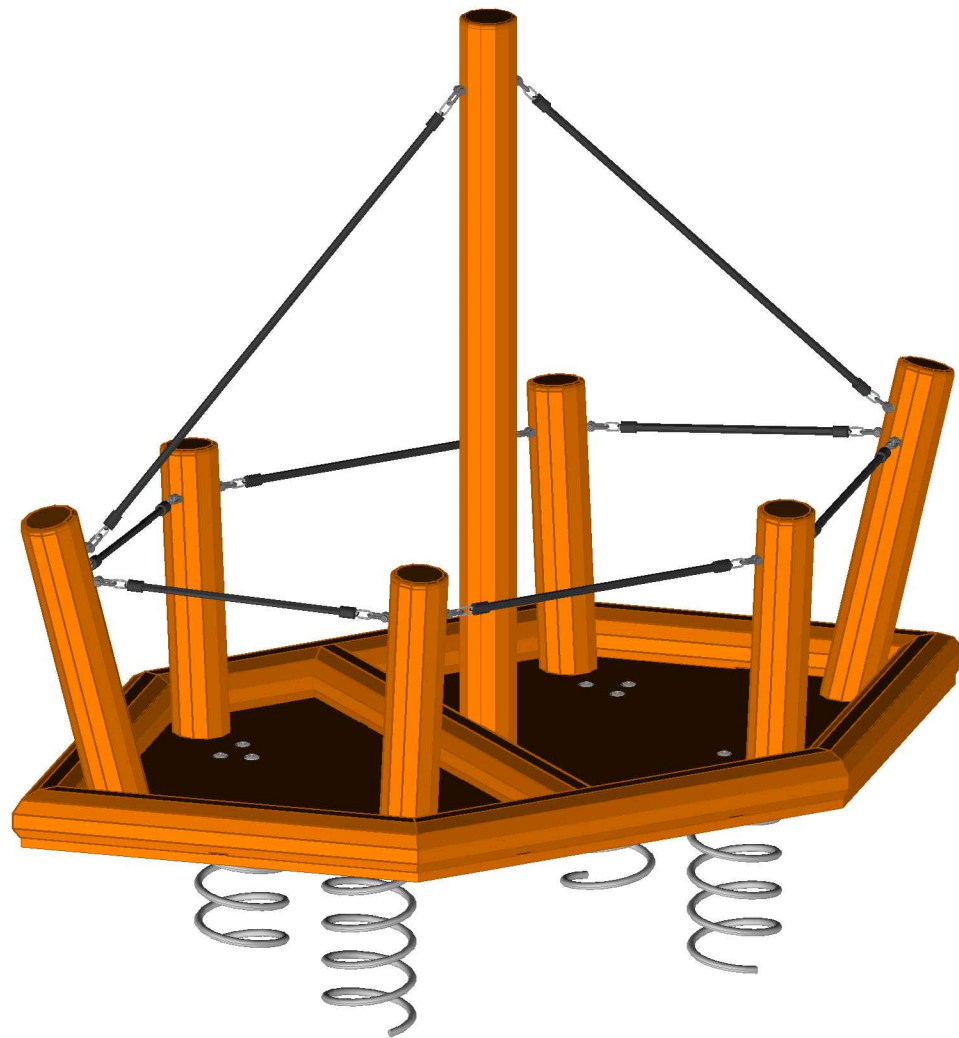
This drawing is the property of NORLEG and pursuant to current legislation may not be copied, transferred to or used by any third party. Should this drawing be used, a fee of 10% of the assumed contract price will be charged.

NORLEG - 3D	
Vippebåd	
LE 20942	
23.02.2015	REV. -

< 1000




≥ EN 1176



This drawing is the property of NORLEG and pursuant to current legislation may not be copied, transferred to or used by any third party. Should this drawing be used, a fee of 10% of the assumed contract price will be charged.

NORLEG - Mont.	
Vippebåd	
LE 20942	
23.02.2015	REV. -

< 1000



≥ EN 1176

Mont.p. nr.

M:4A

M:19

