
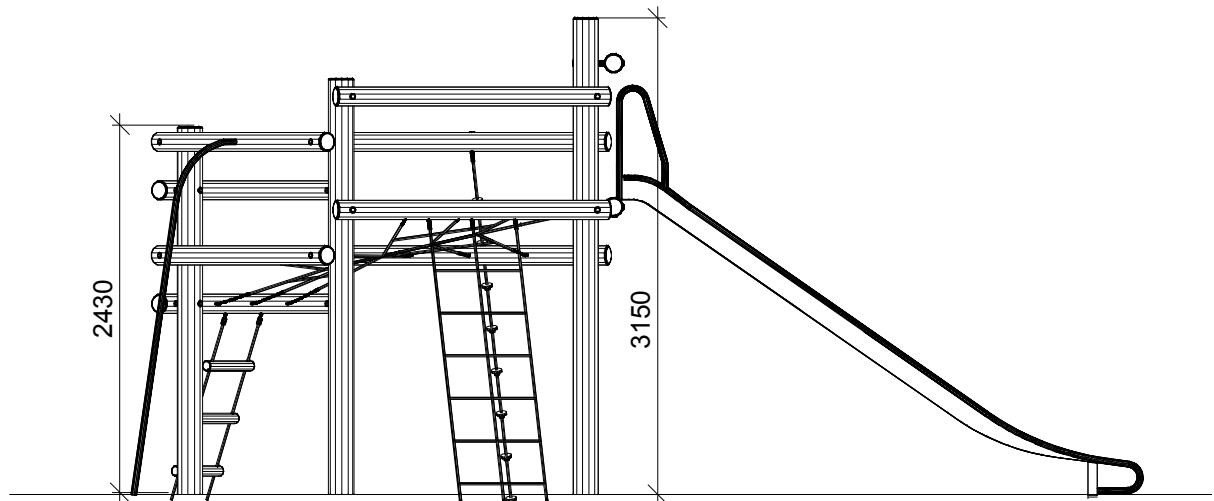
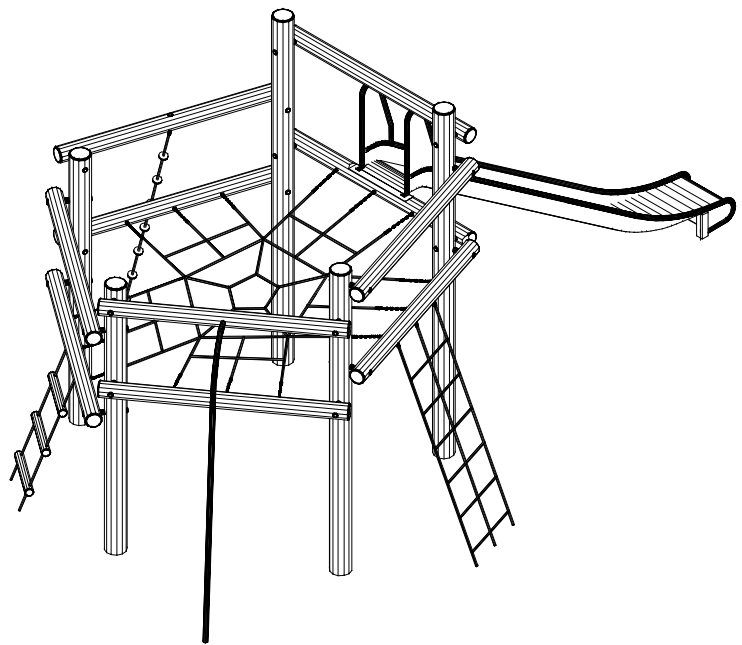


NORLEG	
Robinia klatresystem 5 m. r-bane	
LE 20415	
03.03.2010	REV. A- 15.10.2015

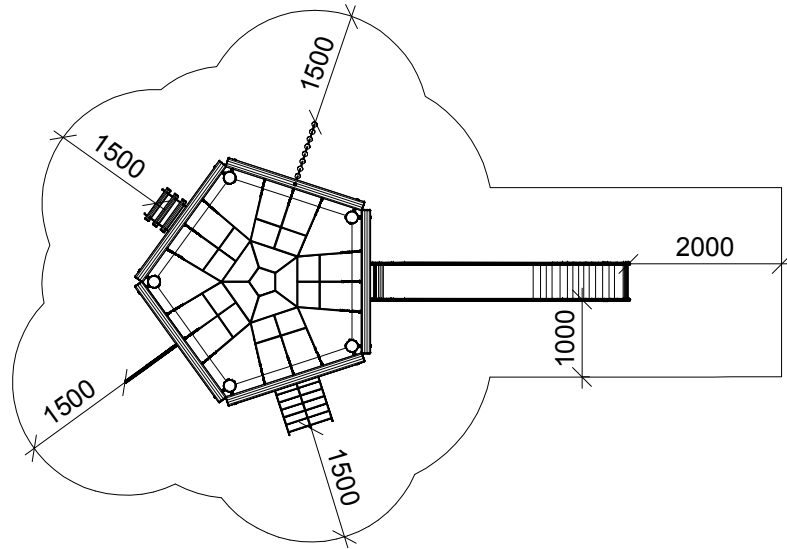
< 2000



≥ EN 1176



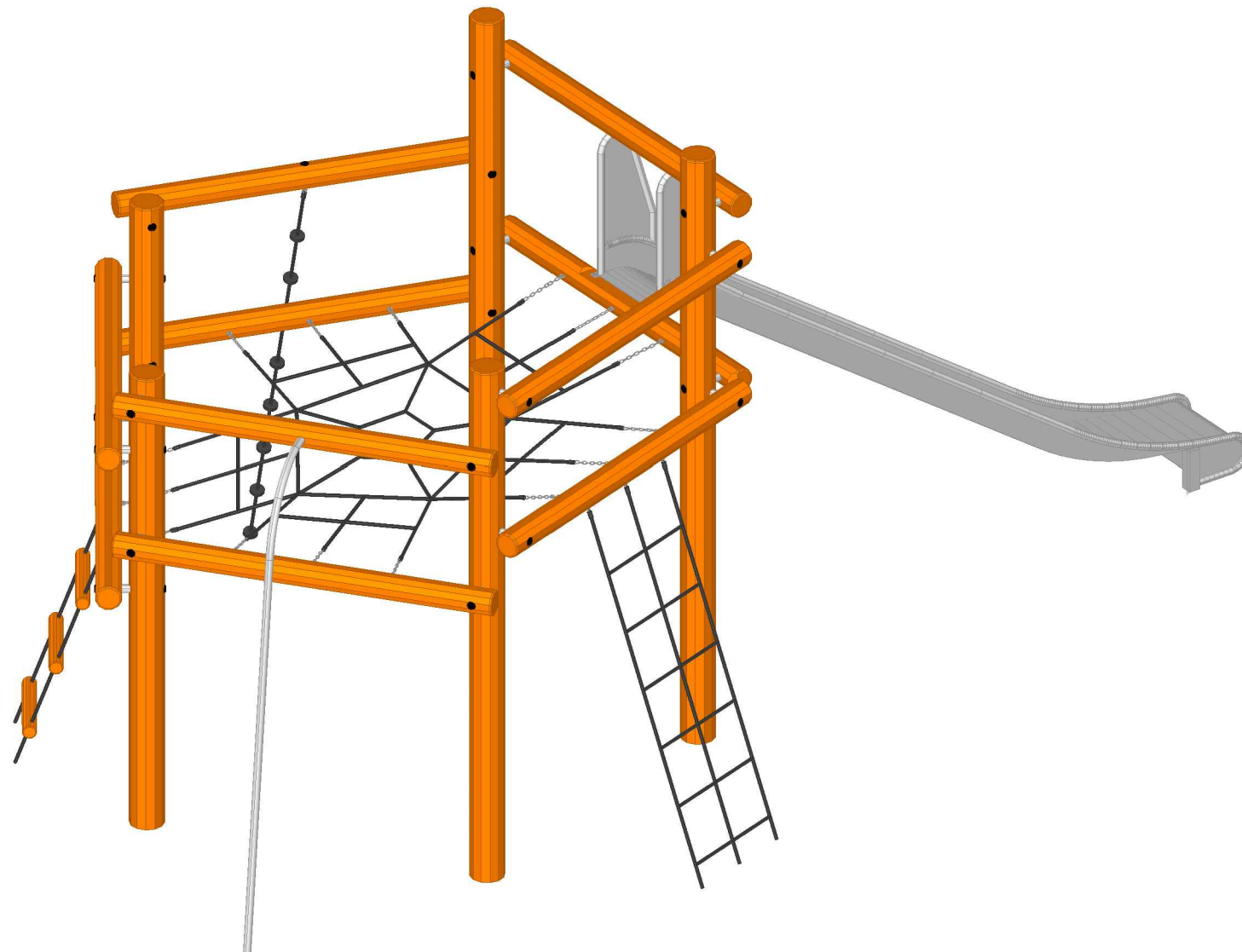
1:50



1:100

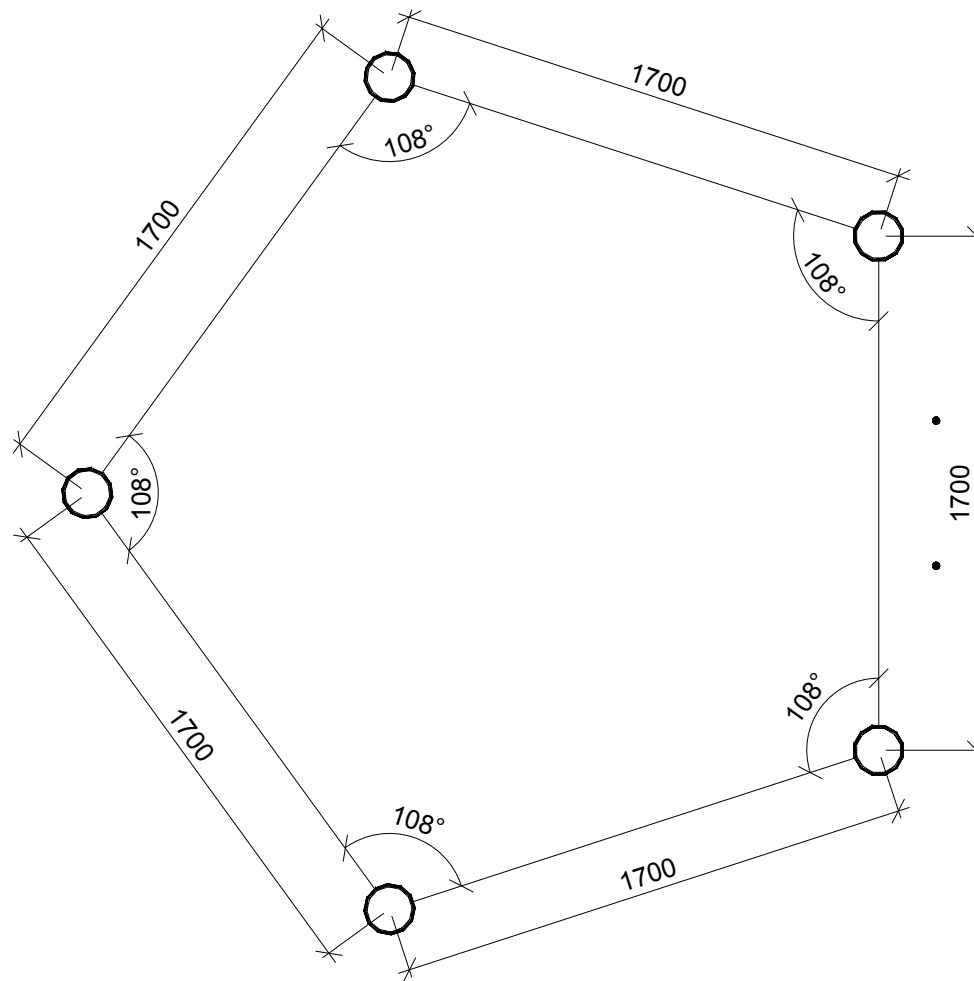
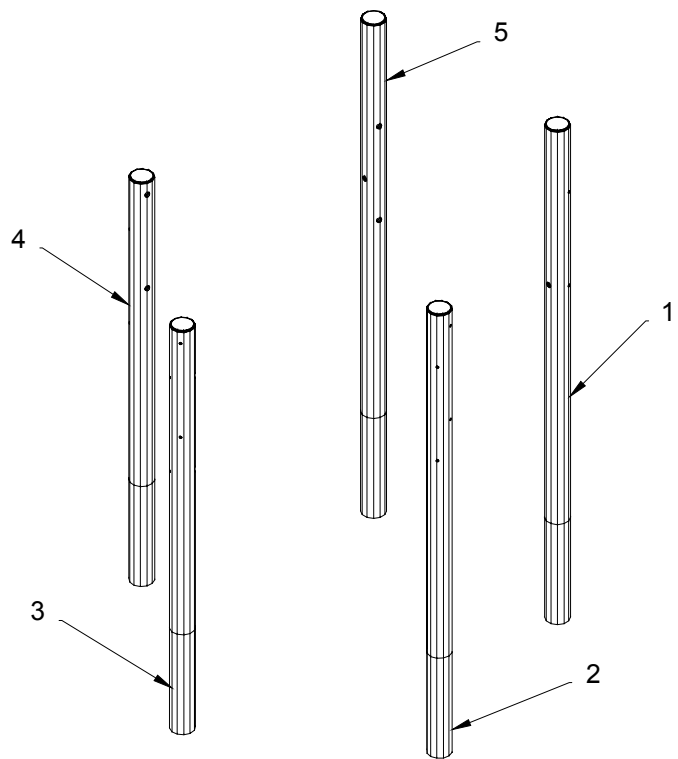
This drawing is the property of NORLEG and pursuant to current legislation may not be copied, transferred to or used by any third party. Should this drawing be used, a fee of 10% of the assumed contract price will be charged.

NORLEG - 3D	
Robinia klatresystem 5 m. r-bane	
LE 20415	
03.03.2010	REV. A- 15.10.2015



This drawing is the property of NORLEG and pursuant to current legislation may not be copied, transferred to or used by any third party. Should this drawing be used, a fee of 10% of the assumed contract price will be charged.


NORLEG - Mont.	
Robinia klatresystem 5 m. r-bane	
LE 20415	
03.03.2010	REV. A- 15.10.2015



1:25

NORLEG - Mont.	
Robinia klatresystem 5 m. r-bane	
LE 20415	
03.03.2010	REV. A- 15.10.2015

< 2000



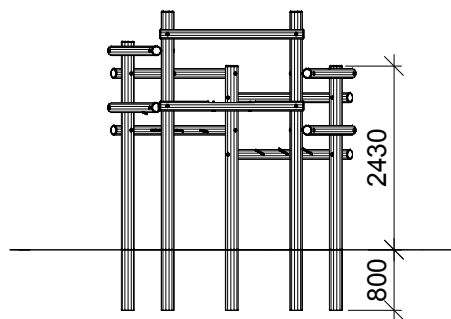
≥ EN 1176

Mont.p. nr.

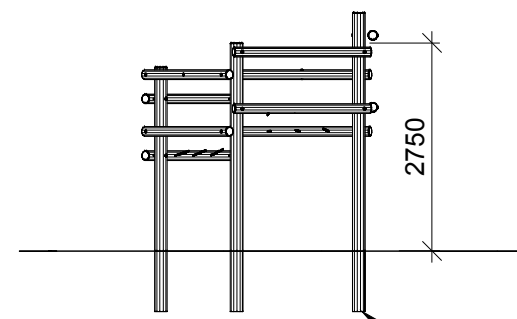
2
19
48
49

Parts list		
Mrk.	QTY	Part.no
1	1	160-180-3950
2	1	160-180-3550
3	1	160-180-3230
4	1	160-180-3230
5	1	160-180-3950
6	3	120-140-1900

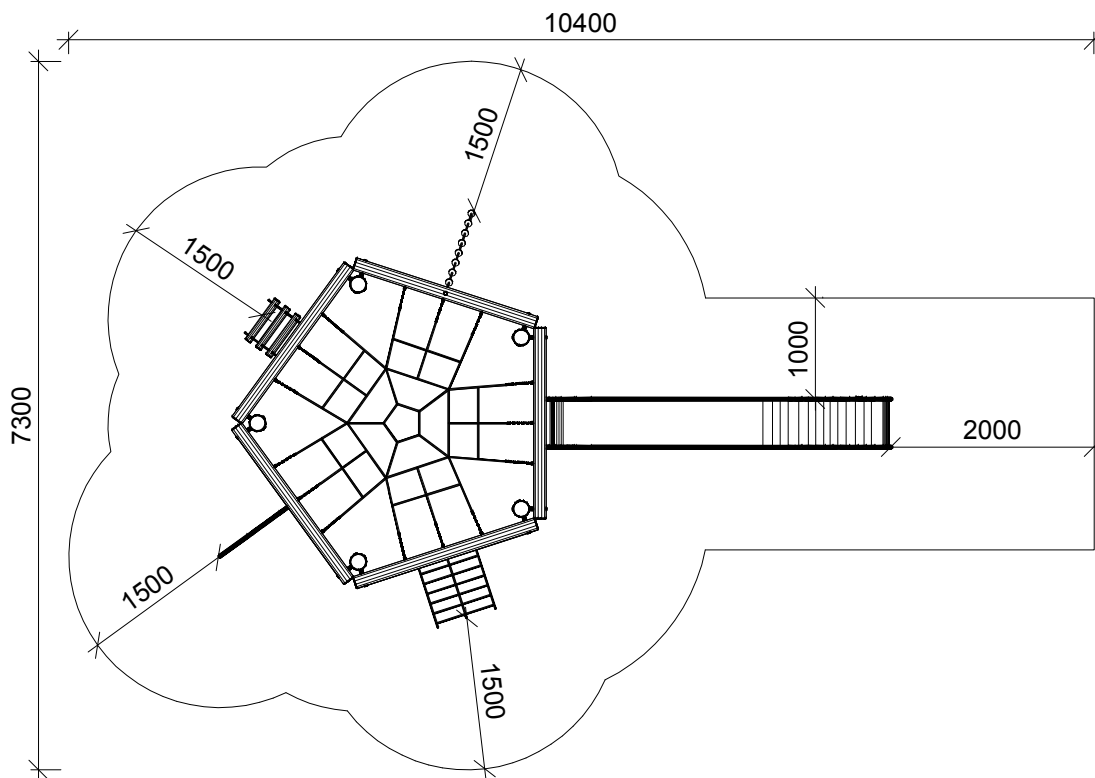
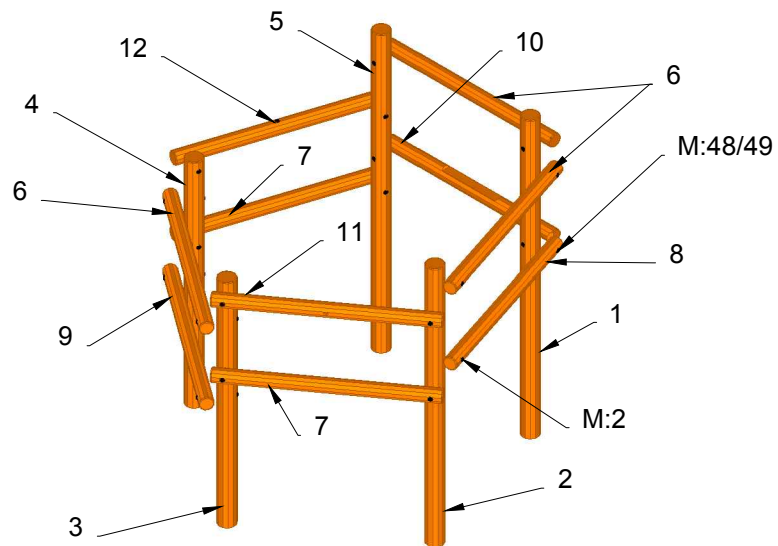
Parts list		
Mrk.	QTY	Part.no
7	2	120-140-1900
8	1	120-140-1900
9	1	120-140-1900
10	1	120-140-1900
11	1	120-140-1900
12	1	120-140-1900



1:100



1:100




1:75

This drawing is the property of NORLEG and pursuant to current legislation may not be copied, transferred to or used by any third party. Should this drawing be used, a fee of 10% of the assumed contract price will be charged.

NORLEG - Mont.	
Robinia klatresystem 5 m. r-bane	
LE 20415	
03.03.2010	REV. A-15.10.2015

< 2000

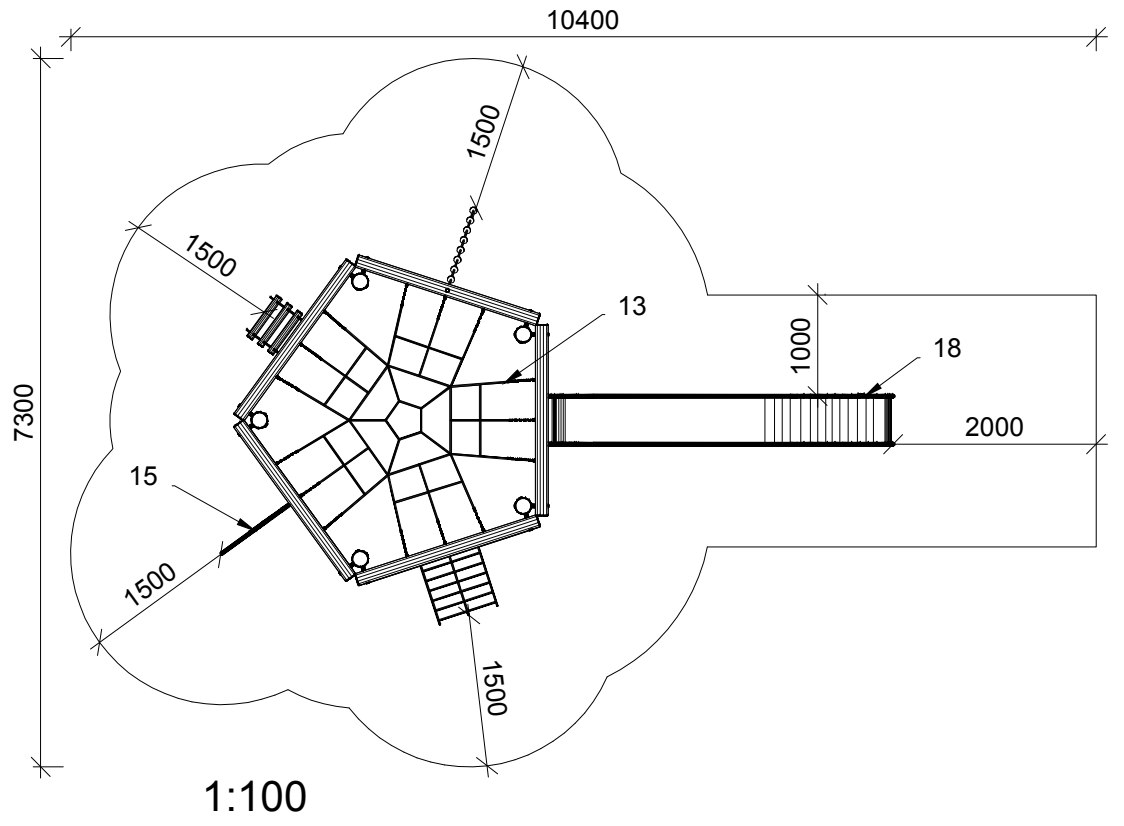
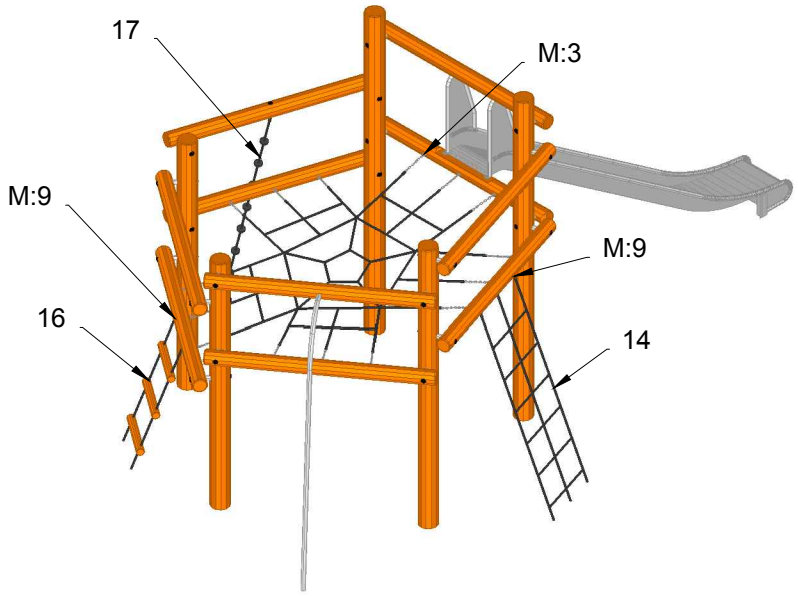
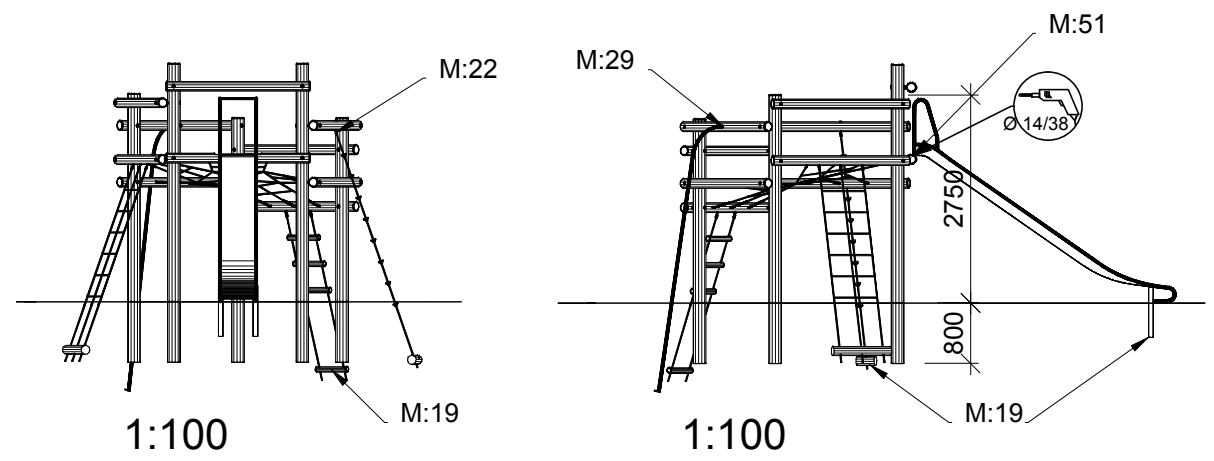


≥ EN 1176

Mont.p. nr.

- 3
- 9
- 19
- 22
- 29
- 51

Parts list		
Mrk.	QTY	Part.no
13	1	LE 26002
14	1	LE 26022
15	1	LE 20370
16	1	LE 20364
17	1	LE 20366
18	1	S 21089



This drawing is the property of NORLEG and pursuant to current legislation may not be copied, transferred to or used by any third party. Should this drawing be used, a fee of 10% of the assumed contract price will be charged.