

Girder Ø= 120/140

Legs diameter = 160/180

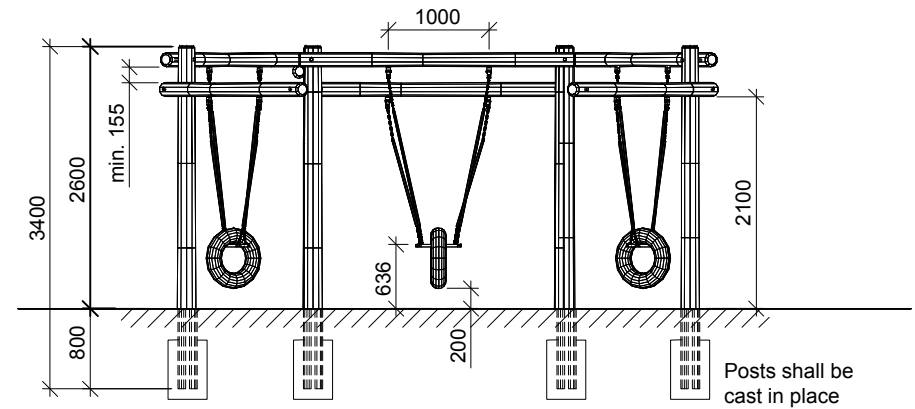
Leg-girder secured
acc. to assembly principle 2. Side assembly.
and assembly principle 48 and/or 49

Swing suspension mounted according to
assembly principle 5 for swing suspension.

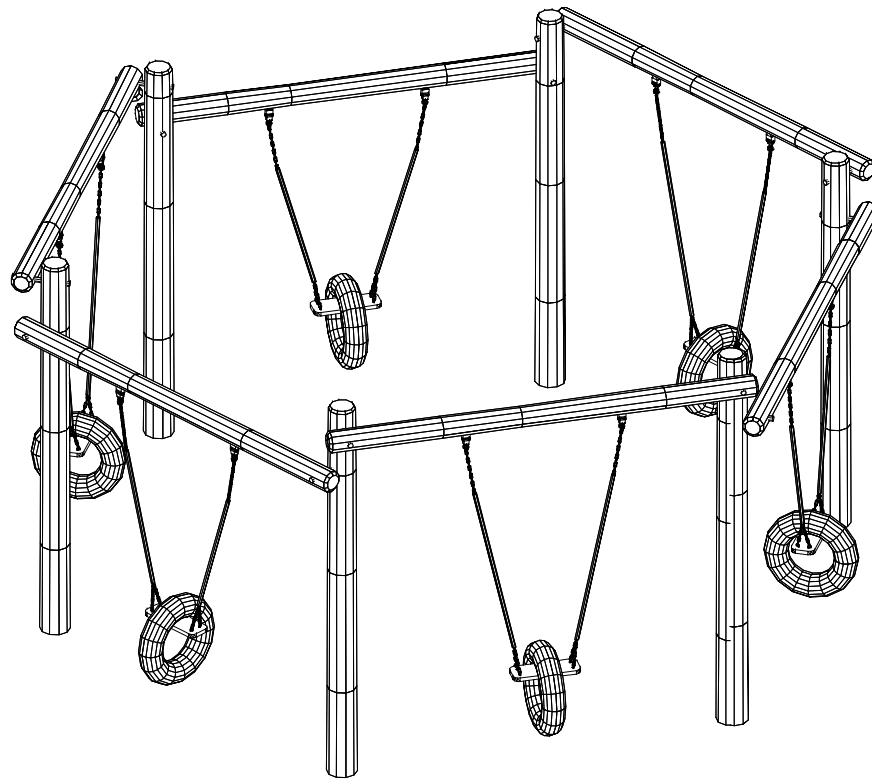
Foundation and marking
assembly principle 19.

Concrete required: 1,5 sack dry concrete / hole.

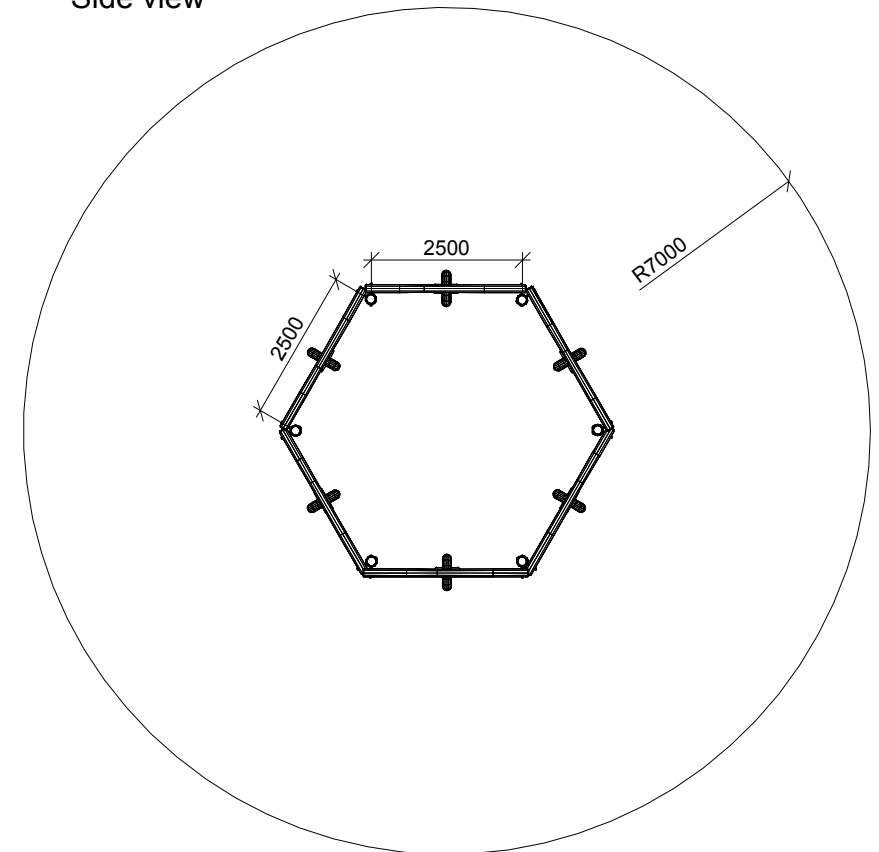
Free fall height: 1,7 m



Side view



Perspective



Plan