

<b>Rolled Sausage</b>		
LE no. 20934	MAIN DRAWING	scale: 1:75

DATE	<b>23.12.2005</b>
REV.	A: 27.11.2006
	B: 23.01.2007
	C: 19.12.2007
	D: 25.02.2009

Assemble posts diameter 160/180 in accordance with Assembly Principle 46.

Rolled sausage in woven pet net. Mounted on fixed rings, wound with hemp-coloured strands.

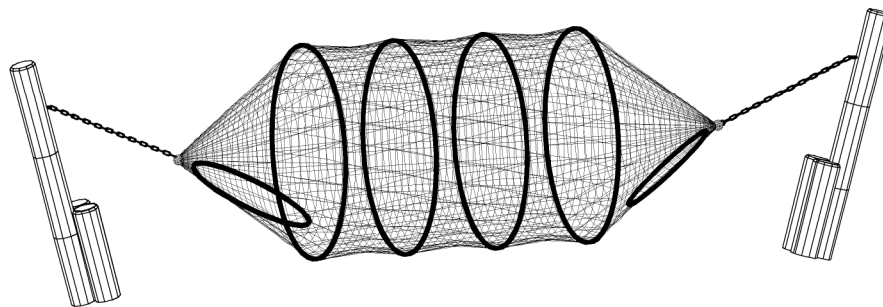
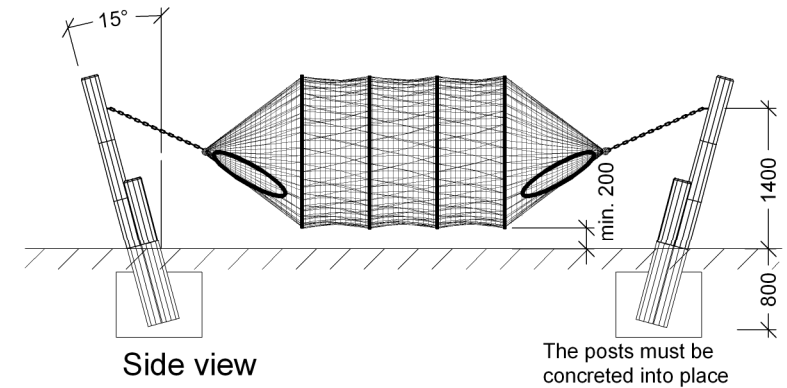
Width/height diameter 1.5 m - length 4.0 m.

Assembly Principle 45.

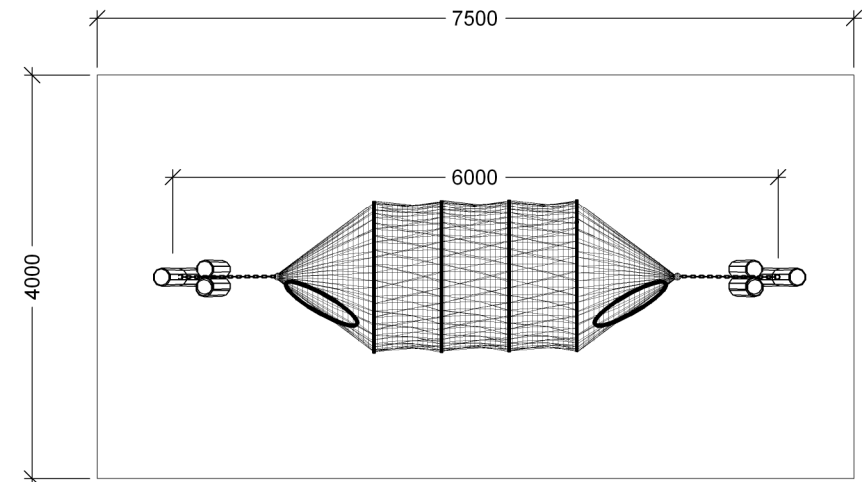
Foundation and marking Assembly Principle 19.

Concrete required: 12.5 sacks of dry concrete/hole

Height of fall: 1.3 m



Perspective



Plan