

A

B

C

D

E

F



UNLESS OTHERWISE SPECIFIED:  
 DIMENSIONS ARE IN MILLIMETERS  
 WEIGHT ARE IN KILOGRAMM

	NAME	SIGNATURE	DATE	REVISION
DRAWN	R.Fedotov		10.12.2014	
APPV'D				

PART NUMBER / DWG NO.:  
 Z011

DESCRIPTION:  
 Aries



**Tiptiptap** OÜ

Tiptiptap OÜ  
 Veetorni 9,  
 Jüri alevik, Rae vald,  
 75301 Harjumaa

MATERIAL: wood, metal, plastic

A4

WEIGHT: SCALE: 1:100 SHEET 1 OF 14

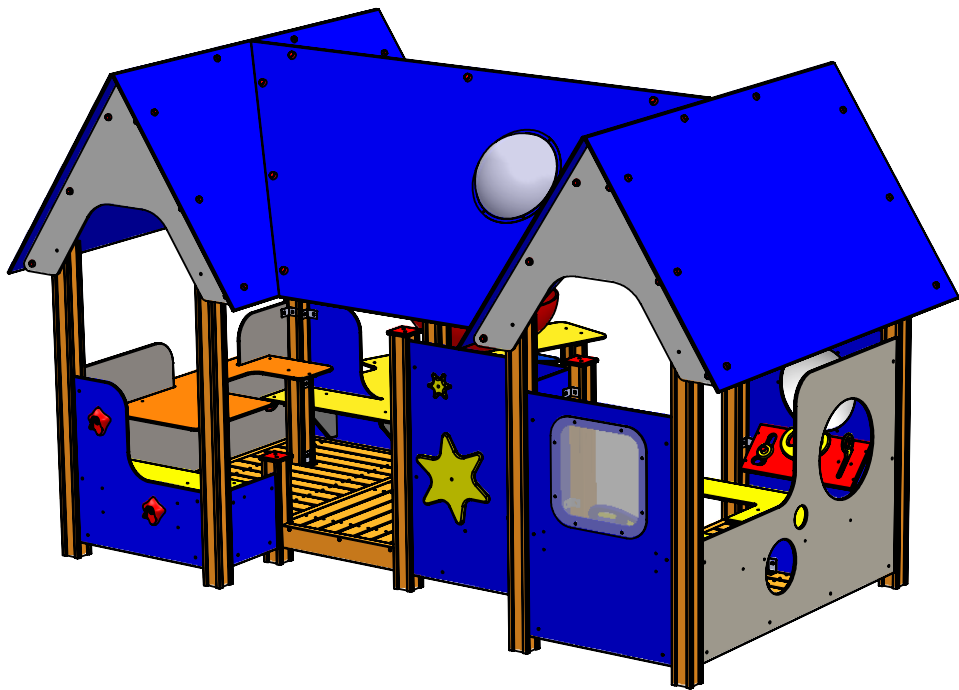
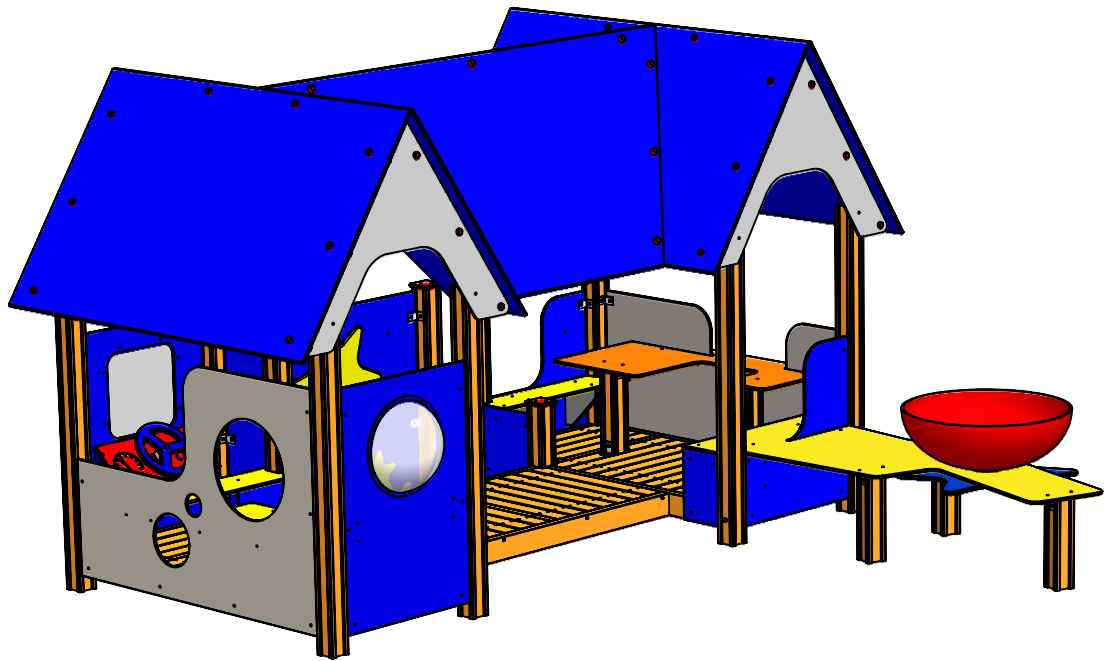
A

B

C

D

E



UNLESS OTHERWISE SPECIFIED:  
 DIMENSIONS ARE IN MILLIMETERS  
 WEIGHT ARE IN KILOGRAMM

PART NUMBER / DWG NO.:

Z011

	NAME	SIGNATURE	DATE	REVISION
DRAWN	R.Fedotov		10.12.2014	
APPV'D				

DESCRIPTION:

Aries



**Tiptaptap** OÜ

Tiptaptap OÜ  
 Veetorni 9,  
 Jüri alevik, Rae vald,  
 75301 Harjumaa

MATERIAL:

wood, metal, plastic

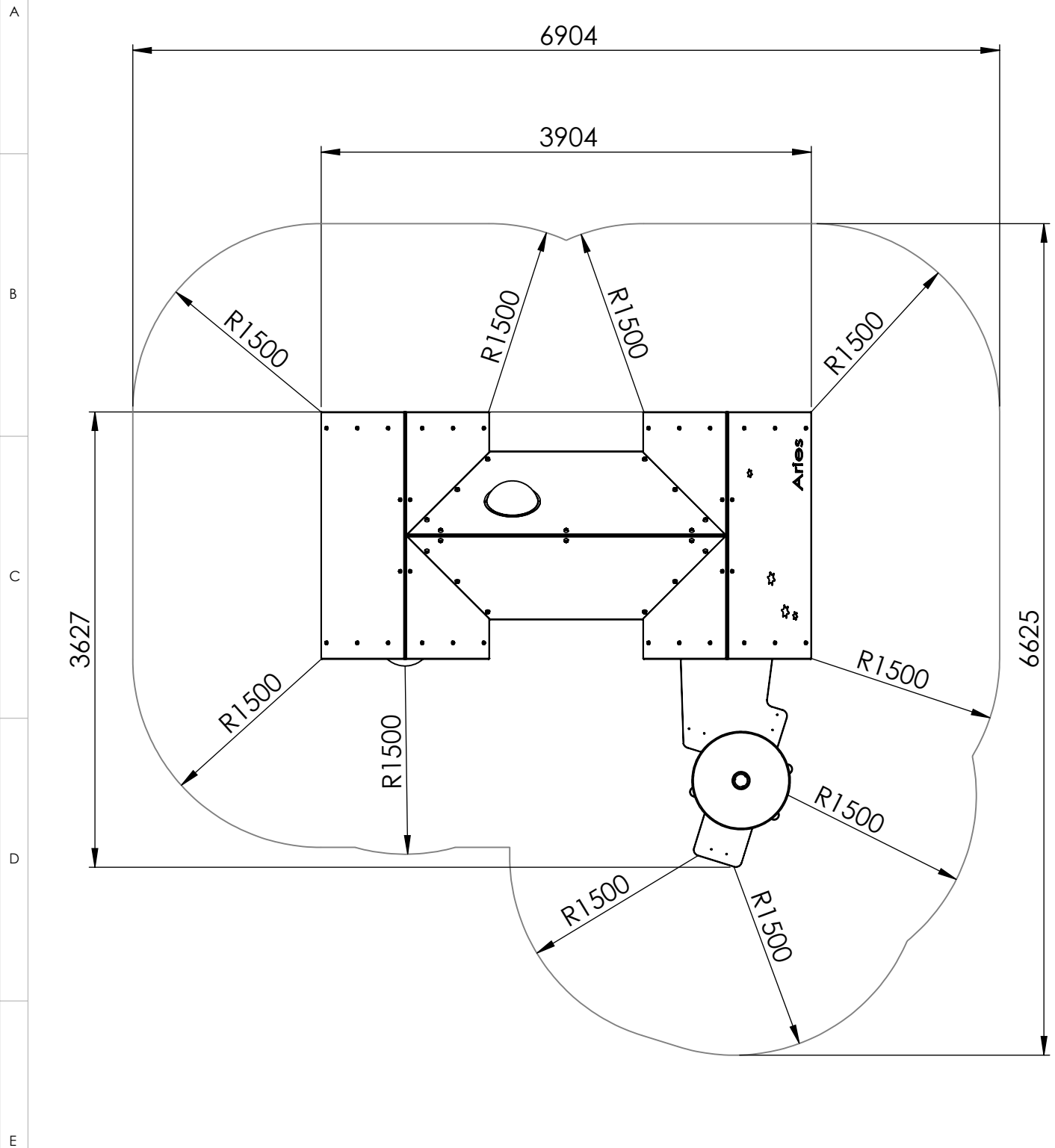
A4

WEIGHT:

SCALE: 1:100

SHEET 2 OF 14

# Safety area



UNLESS OTHERWISE SPECIFIED:  
DIMENSIONS ARE IN MILLIMETERS  
WEIGHT ARE IN KILOGRAMM

PART NUMBER / DWG NO.:

Z011

	NAME	SIGNATURE	DATE	REVISION
DRAWN	R.Fedotov		10.12.2014	
APPV'D				

DESCRIPTION:

Aries



**Tiptiptap** OÜ

Tiptiptap OÜ  
Veetorni 9,  
Jüri alevik, Rae vald,  
75301 Harjumaa

MATERIAL:

wood, metal, plastic

A4

WEIGHT:

SCALE: 1:100

SHEET 3 OF 14

# Foundation

A

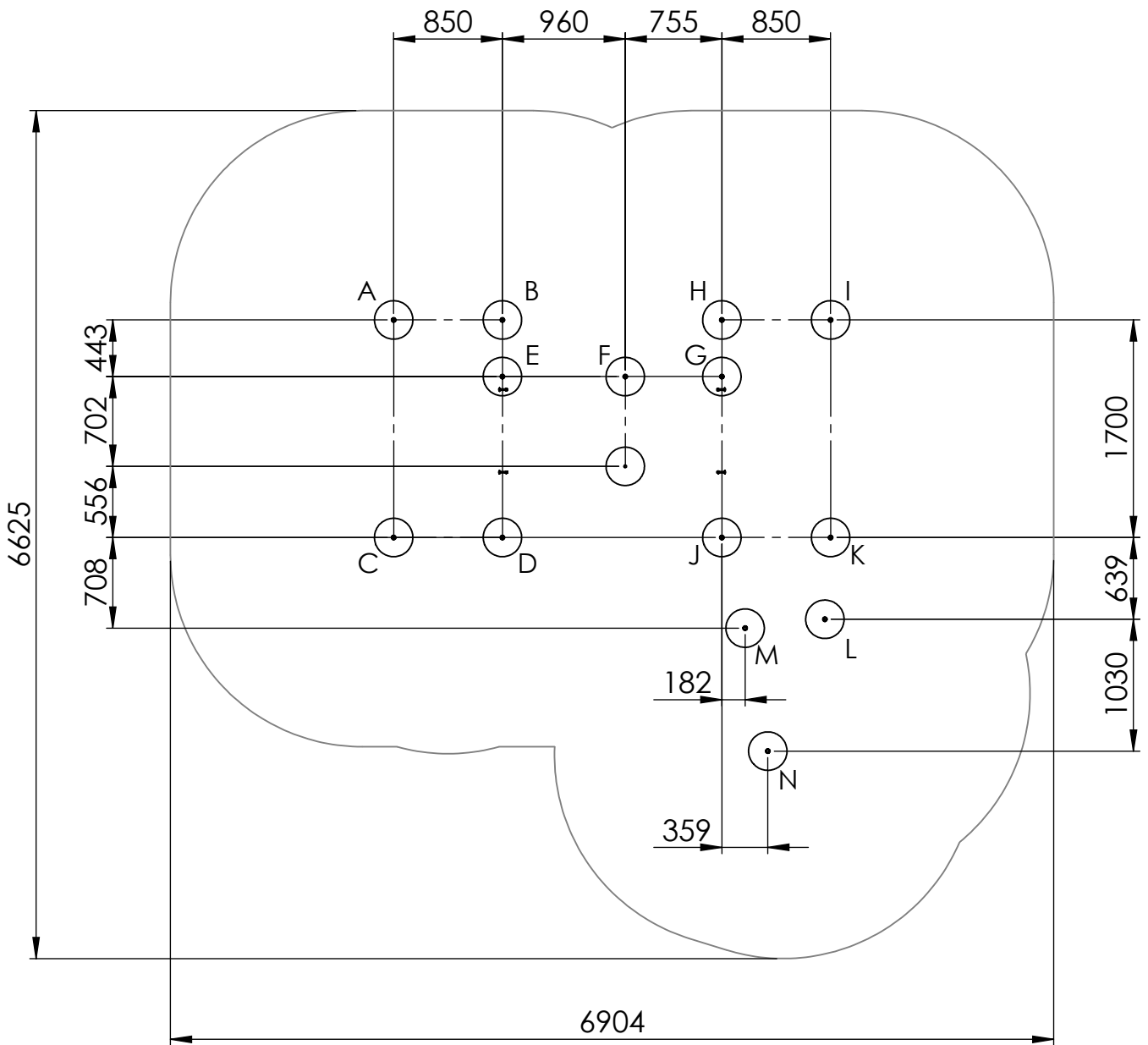
B

C

D

E

F



UNLESS OTHERWISE SPECIFIED:  
DIMENSIONS ARE IN MILLIMETERS  
WEIGHT ARE IN KILOGRAMM

PART NUMBER / DWG NO.:

Z011

	NAME	SIGNATURE	DATE	REVISION
DRAWN	R.Fedotov		10.12.2014	
APPV'D				

DESCRIPTION:

Aries



**Tiptaptap** OÜ

Tiptaptap OÜ  
Veetorni 9,  
Jüri alevik, Rae vald,  
75301 Harjumaa

MATERIAL:

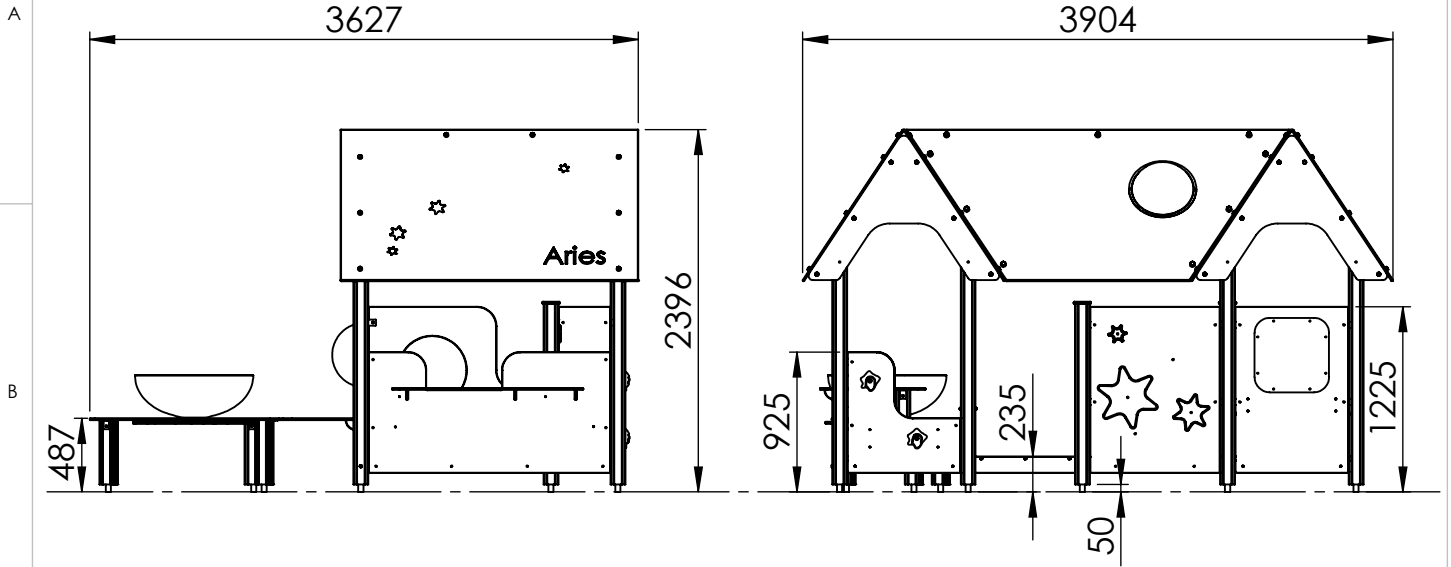
wood, metal, plastic

A4

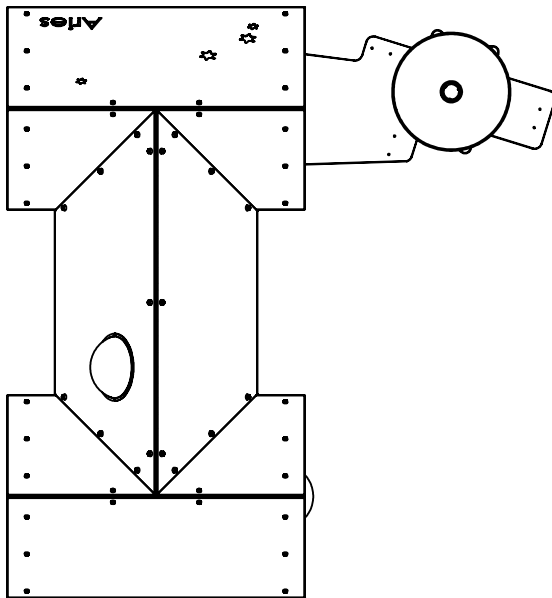
WEIGHT:

SCALE: 1:50

SHEET 4 OF 14



C



D

E

UNLESS OTHERWISE SPECIFIED:  
 DIMENSIONS ARE IN MILLIMETERS  
 WEIGHT ARE IN KILOGRAMM

PART NUMBER / DWG NO.:

Z011

	NAME	SIGNATURE	DATE	REVISION
DRAWN	R.Fedotov		10.12.2014	
APPV'D				

DESCRIPTION:

Aries

F



**Tiptiptap** OÜ

Tiptiptap OÜ  
 Veetorni 9,  
 Jüri alevik, Rae vald,  
 75301 Harjumaa

MATERIAL:

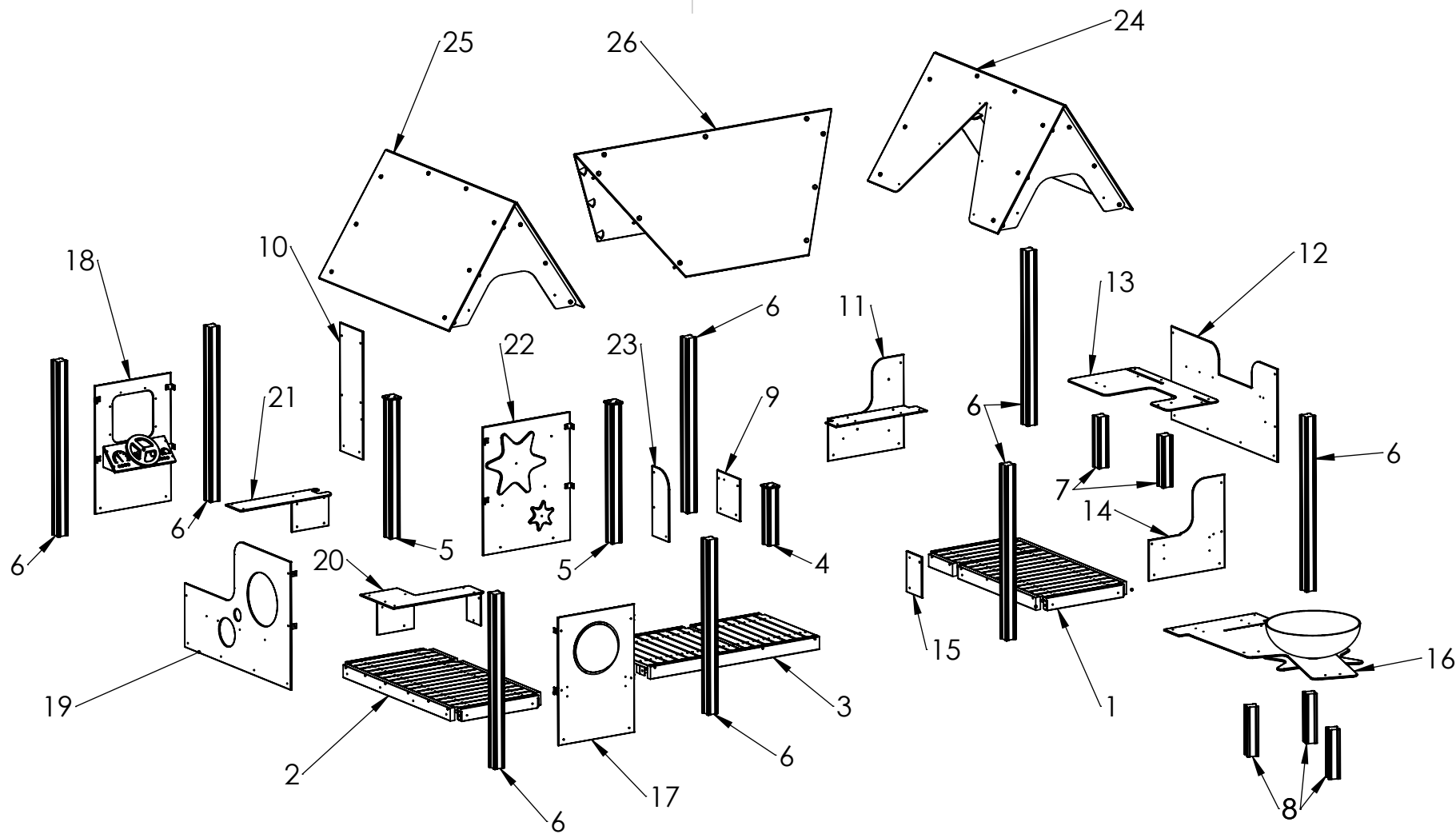
wood, metal, plastic

A4

WEIGHT:

SCALE: 1:100

SHEET 5 OF 14



UNLESS OTHERWISE SPECIFIED:  
 DIMENSIONS ARE IN MILLIMETERS  
 WEIGHT ARE IN KILOGRAMM

PART NUMBER / DWG NO.:  
**Z011**

	NAME	SIGNATURE	DATE	REVISION
DRAWN	R.Fedotov		10.12.2014	
APPV'D				

DESCRIPTION:  
**Aries**




**Tiptaptap** OÜ  
 Veetorni 9,  
 Jüri alevik, Rae vald,  
 75301 Harjumaa

MATERIAL:	wood, metal, plastic	A4
WEIGHT:	SCALE: 1:50	SHEET 6 OF 14

	1	2	3	4
	ITEM NO.	PART NUMBER	DESCRIPTION	QTY.
A	1	Platform 1	Laminated wood, metal	1
	2	Platform 2	Laminated wood, metal	1
	3	Platform 3	Laminated wood, metal	1
	4	Post 98x98x500	laminated wood	1
	5	Post 98x98x1200	laminated wood	2
B	6	Post 98x98x1500	laminated wood	8
	7	Post 98x98x440	laminated wood	2
	8	Post 98x98x425	laminated wood	3
	9	Panel 344x364	Plywood	1
	10	Panel 344x1100	Plywood	1
	11	Panel with seat	Plywood	1
	12	Panel 800x1602	Plywood	1
	13	Table 700x1265	Plywood	1
C	14	Panel 750x800	Plywood	1
	15	Panel 250x350	Plywood	1
	16	Table with bowl	Plywood, plastic	1
	17	Airplane panel	Plywood, plastic, metal	1
	18	Car panel	Plywood, plastic, metal	1
	19	Panel 1100x1602	Plywood	1
D	20	Seat 1	Plywood	1
	21	Seat 2	Plywood	1
	22	Panel with stars	Plywood, Plastic	1
	23	Panel 250x600	Plywood	1
	24	Roof 1	Plywood	1
	25	Roof 2	Plywood	1
	26	Middle roof	Plywood	1

E				
---	--	--	--	--

F	UNLESS OTHERWISE SPECIFIED: DIMENSIONS ARE IN MILLIMETERS WEIGHT ARE IN KILOGRAMM				PART NUMBER / DWG NO.:		Z011	
		NAME	SIGNATURE	DATE	REVISION	DESCRIPTION:		
	DRAWN	R.Fedotov		10.12.2014		Aries		
	APPV'D					MATERIAL:		
 <b>Tiptiptap</b> OÜ Veetorni 9, Jüri alevik, Rae vald, 75301 Harjumaa					wood, metal, plastic		A4	
WEIGHT:						SCALE: 1:50	SHEET 7 OF 14	

A

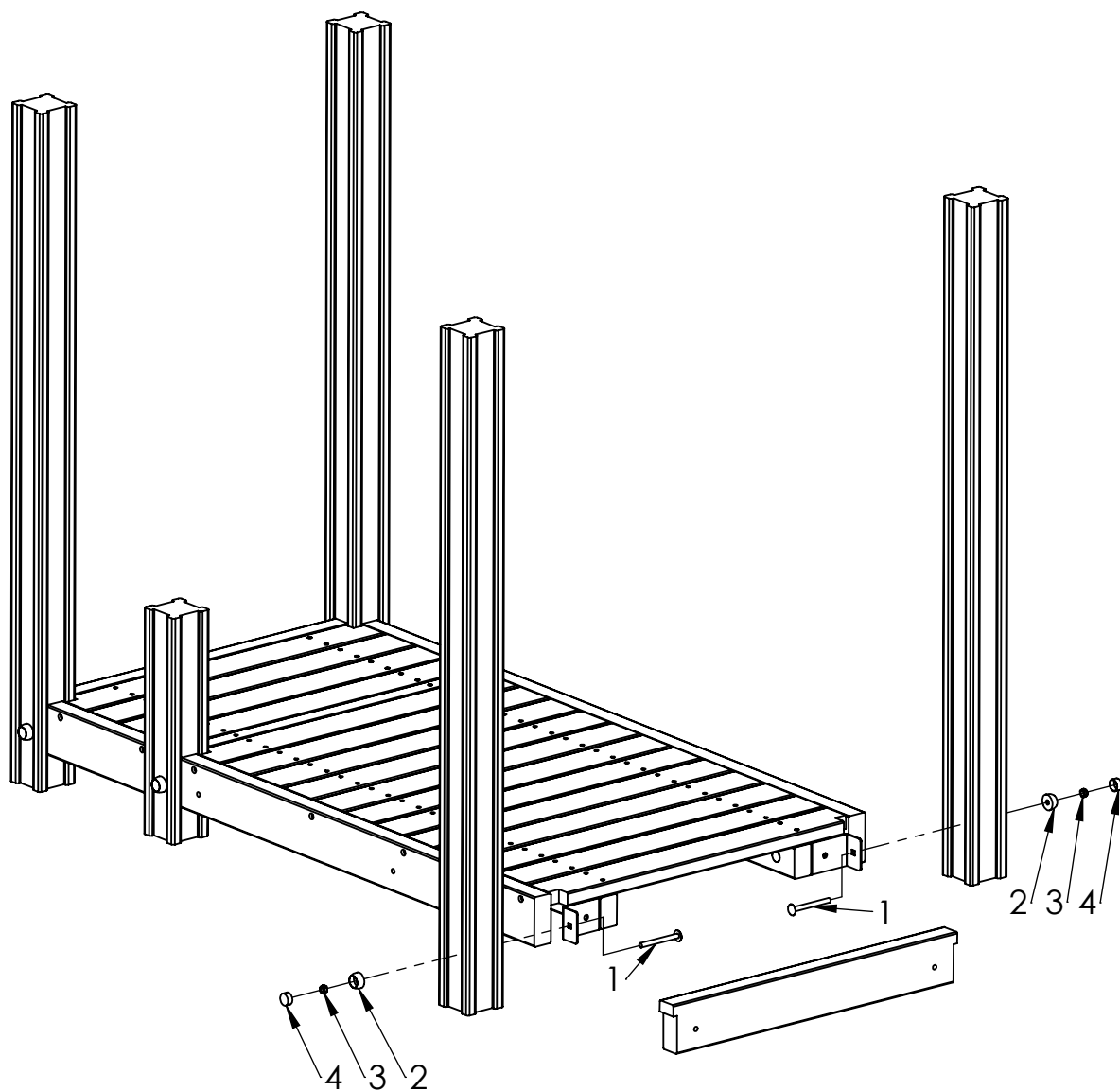
B

C

D

E

F



ITEM NO.	PART NUMBER	DESCRIPTION
1	bolt DIN603 M10x100	galvanized steel
2	nut cover M10	PE plastic
3	nut DIN985 M10	galvanized steel
4	nut cover cap M10	PE plastic

UNLESS OTHERWISE SPECIFIED:  
DIMENSIONS ARE IN MILLIMETERS  
WEIGHT ARE IN KILOGRAMM

PART NUMBER / DWG NO.:

Z011

	NAME	SIGNATURE	DATE	REVISION
DRAWN	R.Fedotov		10.12.2014	
APPV'D				

DESCRIPTION:

Aries



**Tiptap** OÜ

Tiptap OÜ  
Veetorni 9,  
Jüri alevik, Rae vald,  
75301 Harjumaa

MATERIAL:

wood, metal, plastic

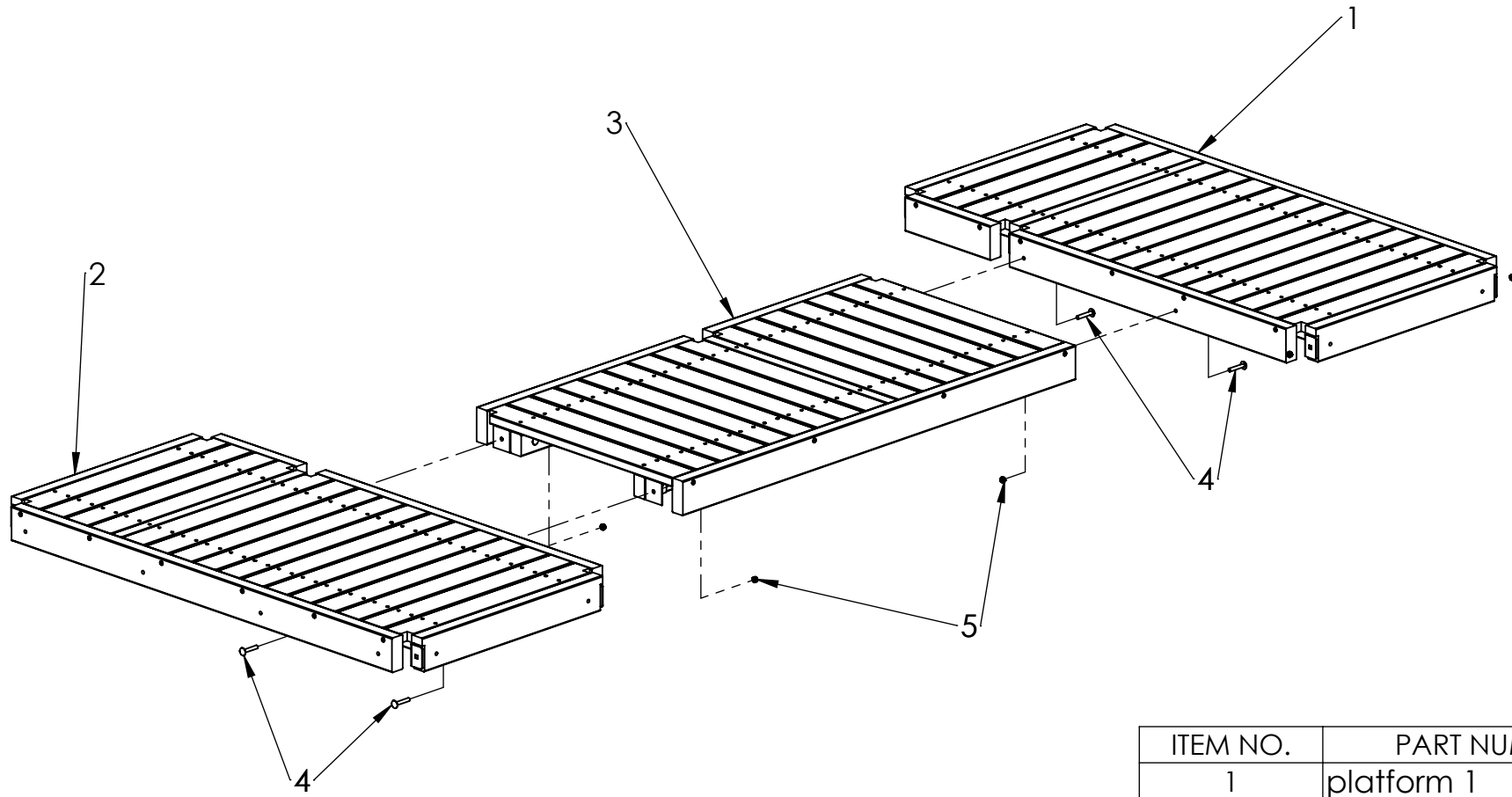
A4

WEIGHT:

SCALE: 1:15

SHEET 8 OF 14





ITEM NO.	PART NUMBER
1	platform 1
2	platform 2
3	platform 3
4	bolt DIN603 M10x60
5	nut DIN985 M10

UNLESS OTHERWISE SPECIFIED:  
 DIMENSIONS ARE IN MILLIMETERS  
 WEIGHT ARE IN KILOGRAMM

	NAME	SIGNATURE	DATE	REVISION
DRAWN	R.Fedotov		10.12.2014	
APPV'D				

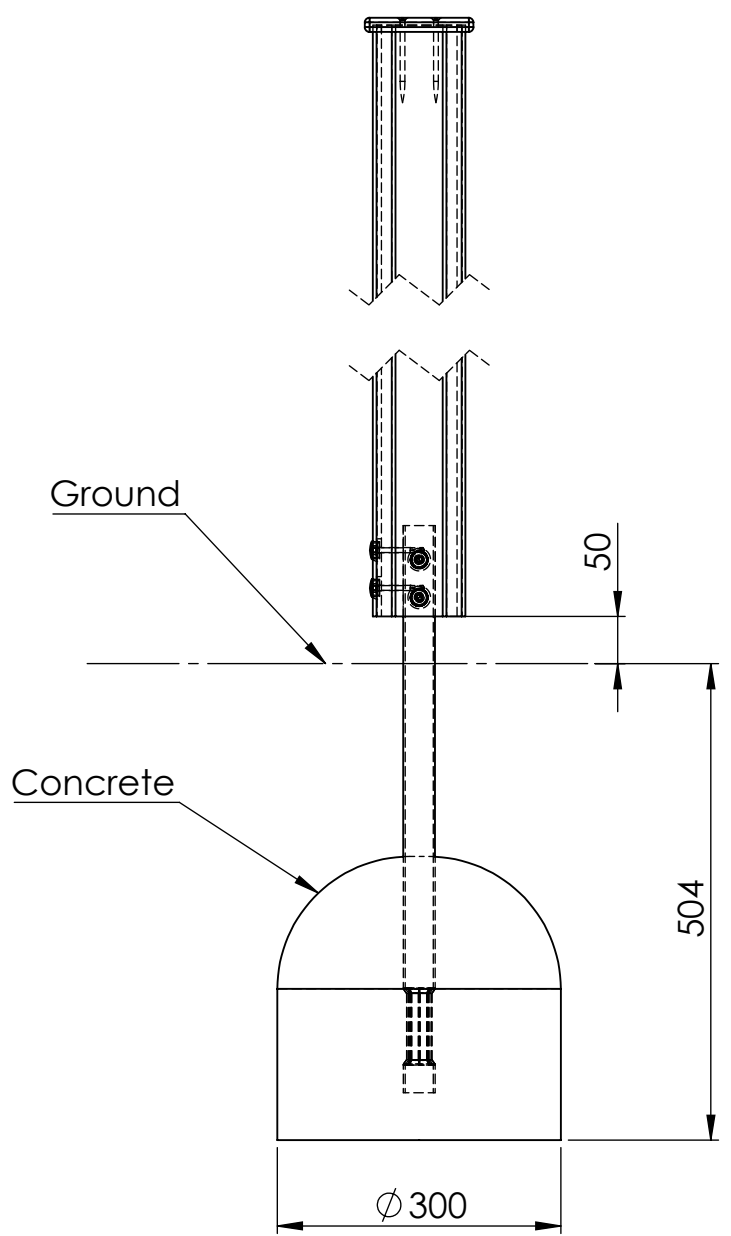
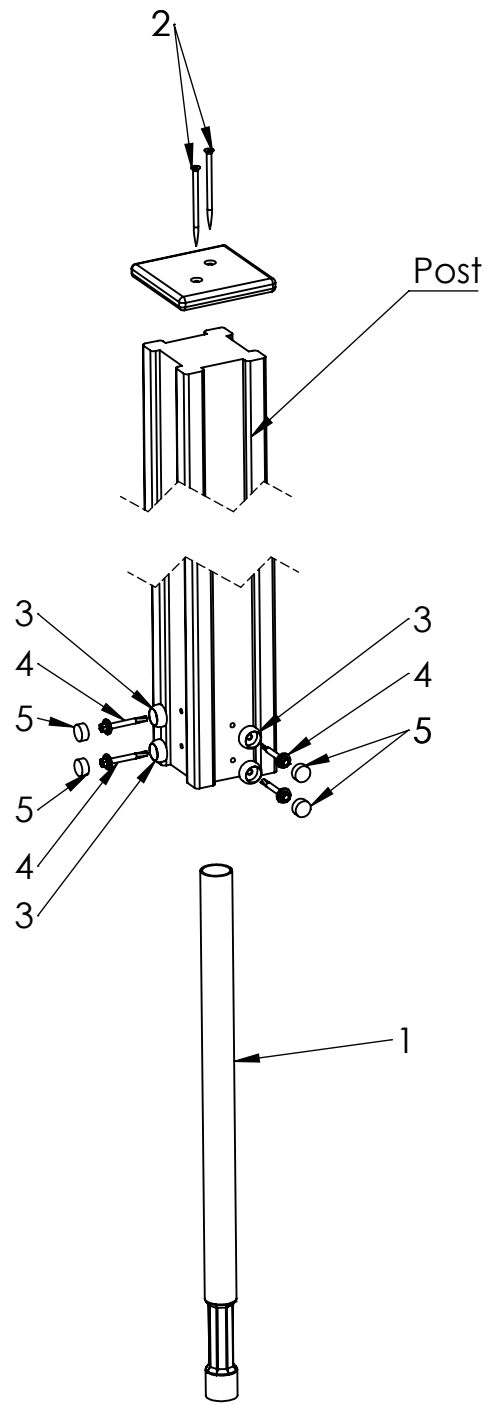
PART NUMBER / DWG NO.:  
**Z011**

DESCRIPTION:  
**Aries**



**Tiptaptap** OÜ  
 Veetorni 9,  
 Jüri alevik, Rae vald,  
 75301 Harjumaa

MATERIAL:	wood, metal, plastic	A4
WEIGHT:		SCALE: 1:20
		SHEET 9 OF 14



ITEM NO.	PART NUMBER
1	metal ground fixing L_600
2	Woodscrew PP 5 x 90
3	nut cover M6
4	screw DIN7504K 5,5x50
5	nut cover cap M6

UNLESS OTHERWISE SPECIFIED:  
DIMENSIONS ARE IN MILLIMETERS  
WEIGHT ARE IN KILOGRAMM

	NAME	SIGNATURE	DATE	REVISION
DRAWN	R.Fedotov		3.12.2014	
APPV'D				

PART NUMBER / DWG NO.:  
**Z011**

DESCRIPTION:  
**Aries**



**Tiptaptap** OÜ

Tiptaptap OÜ  
Veetorni 9,  
Jüri alevik, Rae vald,  
75301 Harjumaa

MATERIAL: wood, metal, plastic

A4

WEIGHT: SCALE: 1:8 SHEET 10 OF 14

A

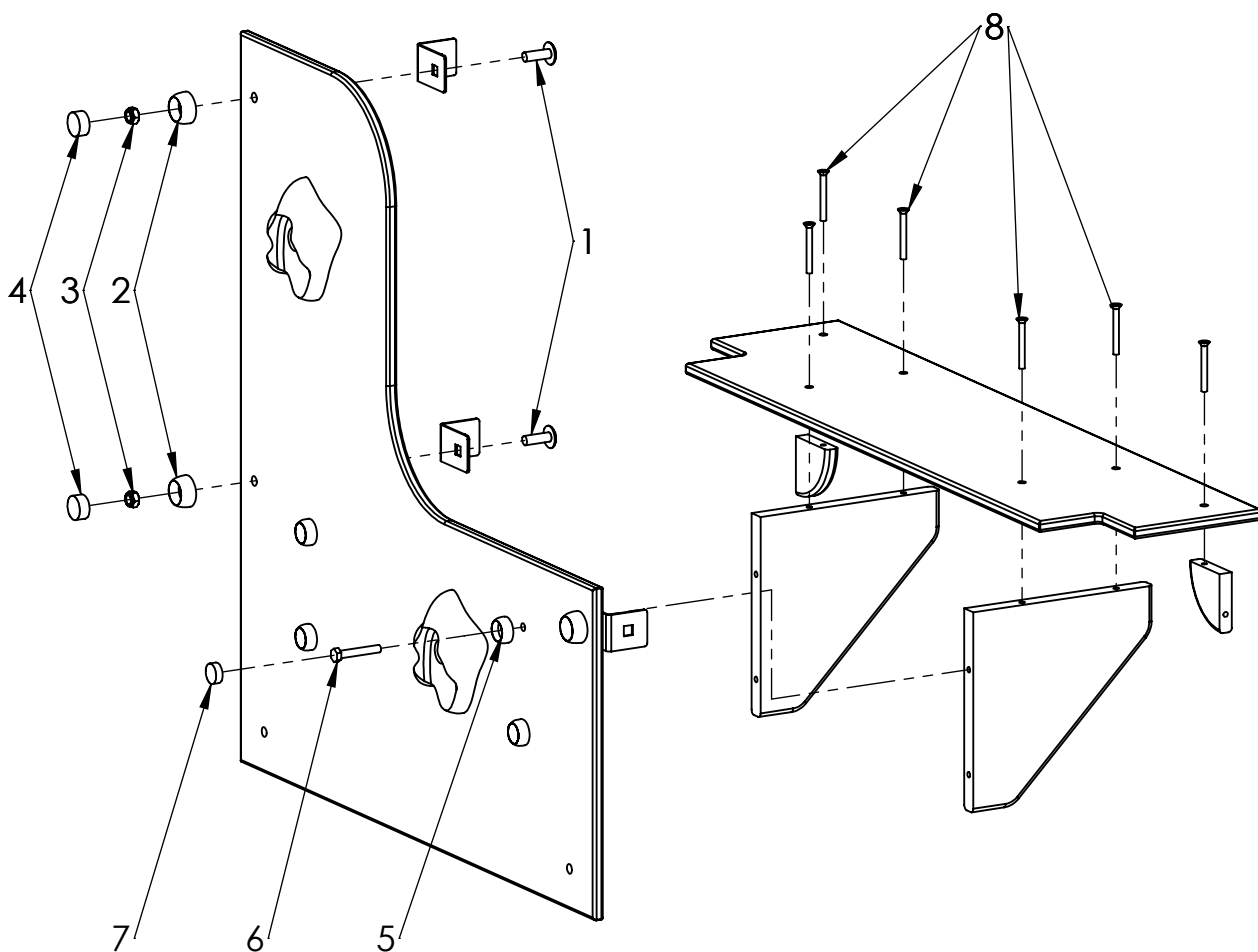
B

C

D

E

F



ITEM NO.	PART NUMBER	DESCRIPTION
1	bolt DIN603 M10x30	galvanized steel
2	nut cover M10	PE plastic
3	nut DIN985 M10	galvanized steel
4	nut cover cap M10	PE plastic
5	nut cover M8	PE plastic
6	bolt DIN933 M8x50	galvanized steel
7	nut cover cap M8	PE plastic
8	DIN7991 M6x35	

UNLESS OTHERWISE SPECIFIED:  
DIMENSIONS ARE IN MILLIMETERS  
WEIGHT ARE IN KILOGRAMM

PART NUMBER / DWG NO.:

Z011

	NAME	SIGNATURE	DATE	REVISION
DRAWN	R.Fedotov		10.12.2014	
APPV'D				

DESCRIPTION:

Aries



**Tiptaptap** OÜ

Tiptaptap OÜ  
Veetorni 9,  
Jüri alevik, Rae vald,  
75301 Harjumaa

MATERIAL:

wood, metal, plastic

A4

WEIGHT:

SCALE: 1:8

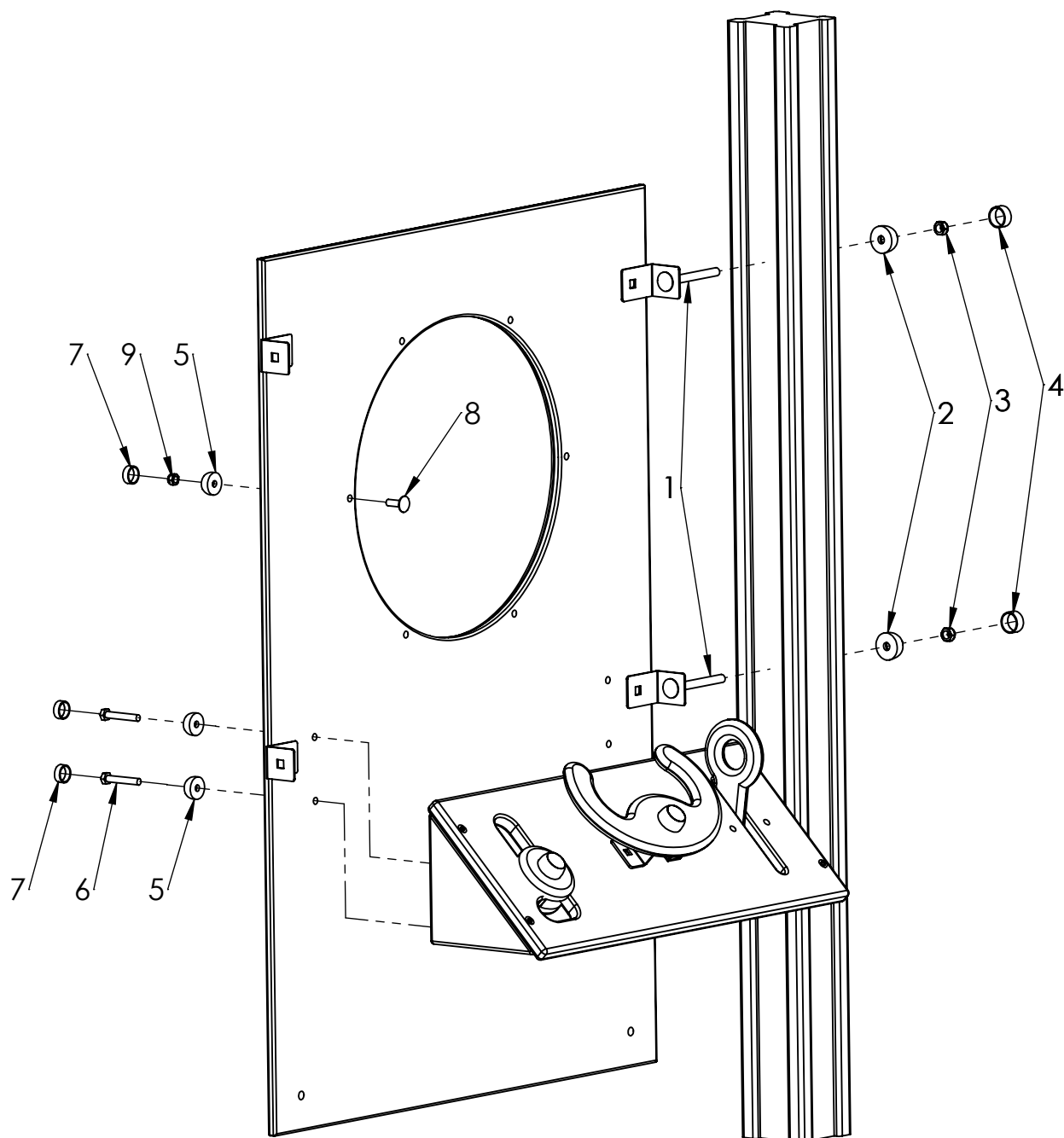
SHEET 11 OF 14

A

B

C

D



ITEM NO.	PART NUMBER	DESCRIPTION
1	bolt DIN603 M10x100	galvanized steel
2	nut cover M10	PE plastic
3	nut DIN985 M10	galvanized steel
4	nut cover cap M10	PE plastic
5	nut cover M8	PE plastic
6	bolt DIN933 M8x50	galvanized steel
7	nut cover cap M8	PE plastic
8	bolt DIN603 M8x25	galvanized steel
9	nut DIN985 M8	galvanized steel

E

UNLESS OTHERWISE SPECIFIED:  
DIMENSIONS ARE IN MILLIMETERS  
WEIGHT ARE IN KILOGRAMM

PART NUMBER / DWG NO.:

Z011

	NAME	SIGNATURE	DATE	REVISION
DRAWN	R.Fedotov		10.12.2014	
APPV'D				

DESCRIPTION:

Aries

F



**Tiptaptap** OÜ

Tiptaptap OÜ  
Veetorni 9,  
Jüri alevik, Rae vald,  
75301 Harjumaa

MATERIAL:

wood, metal, plastic

A4

WEIGHT:

SCALE: 1:8

SHEET 12 OF 14

A

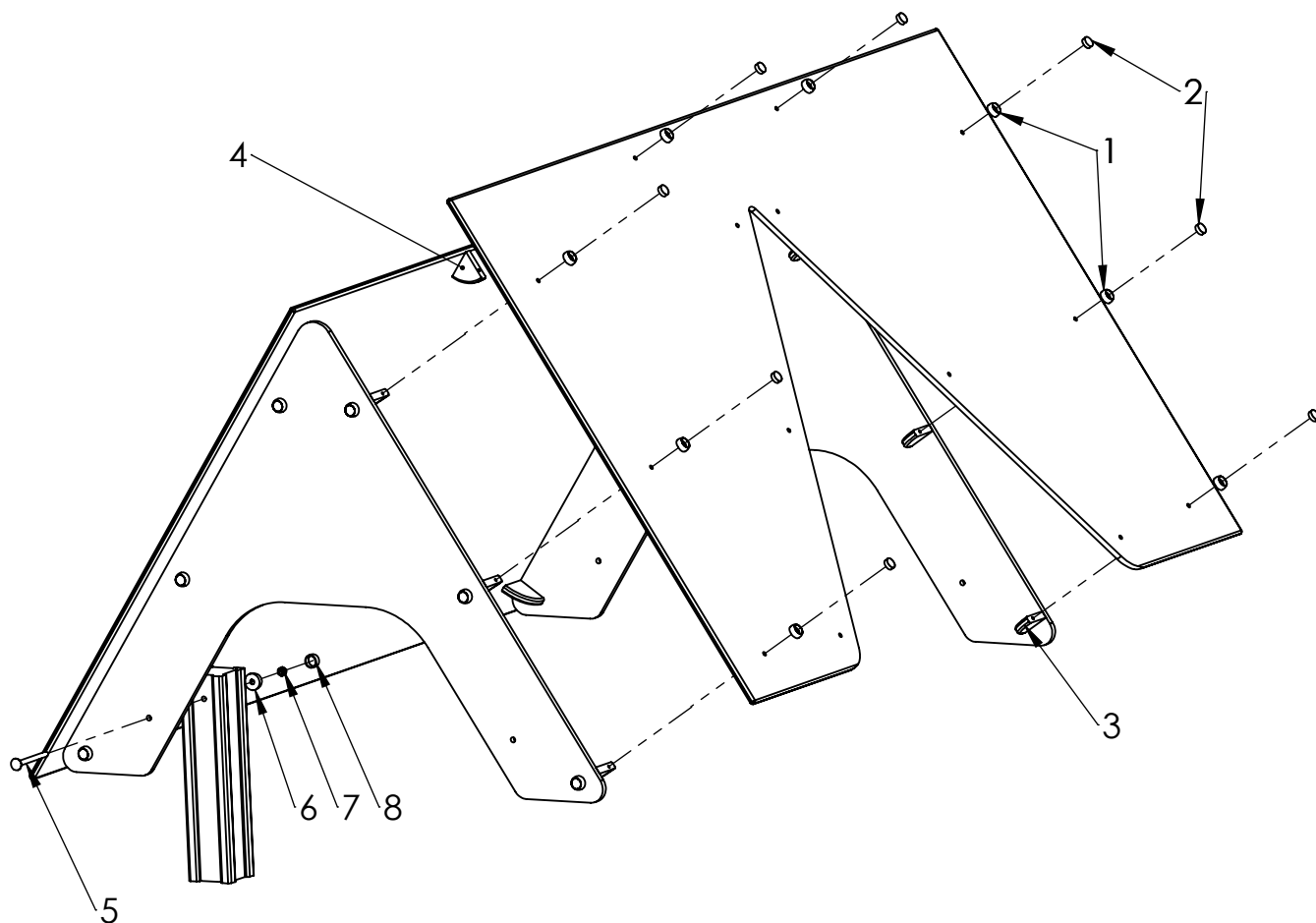
B

C

D

E

F



ITEM NO.	PART NUMBER	DESCRIPTION
1	nut cover M8	PE plastic
2	nut cover cap M8	PE plastic
3	plastic corner	
4	plastic corner 67°	
5	bolt DIN603 M10x120	galvanized steel
6	nut cover M10	PE plastic
7	nut DIN985 M10	galvanized steel
8	nut cover cap M10	PE plastic

UNLESS OTHERWISE SPECIFIED:  
DIMENSIONS ARE IN MILLIMETERS  
WEIGHT ARE IN KILOGRAMM

PART NUMBER / DWG NO.:

Z011

	NAME	SIGNATURE	DATE	REVISION
DRAWN	R.Fedotov		10.12.2014	
APPV'D				

DESCRIPTION:

Aries



**Tiptiptap** OÜ

Tiptiptap OÜ  
Veetorni 9,  
Jüri alevik, Rae vald,  
75301 Harjumaa

MATERIAL:

wood, metal, plastic

A4

WEIGHT:

SCALE: 1:15

SHEET 13 OF 14

A

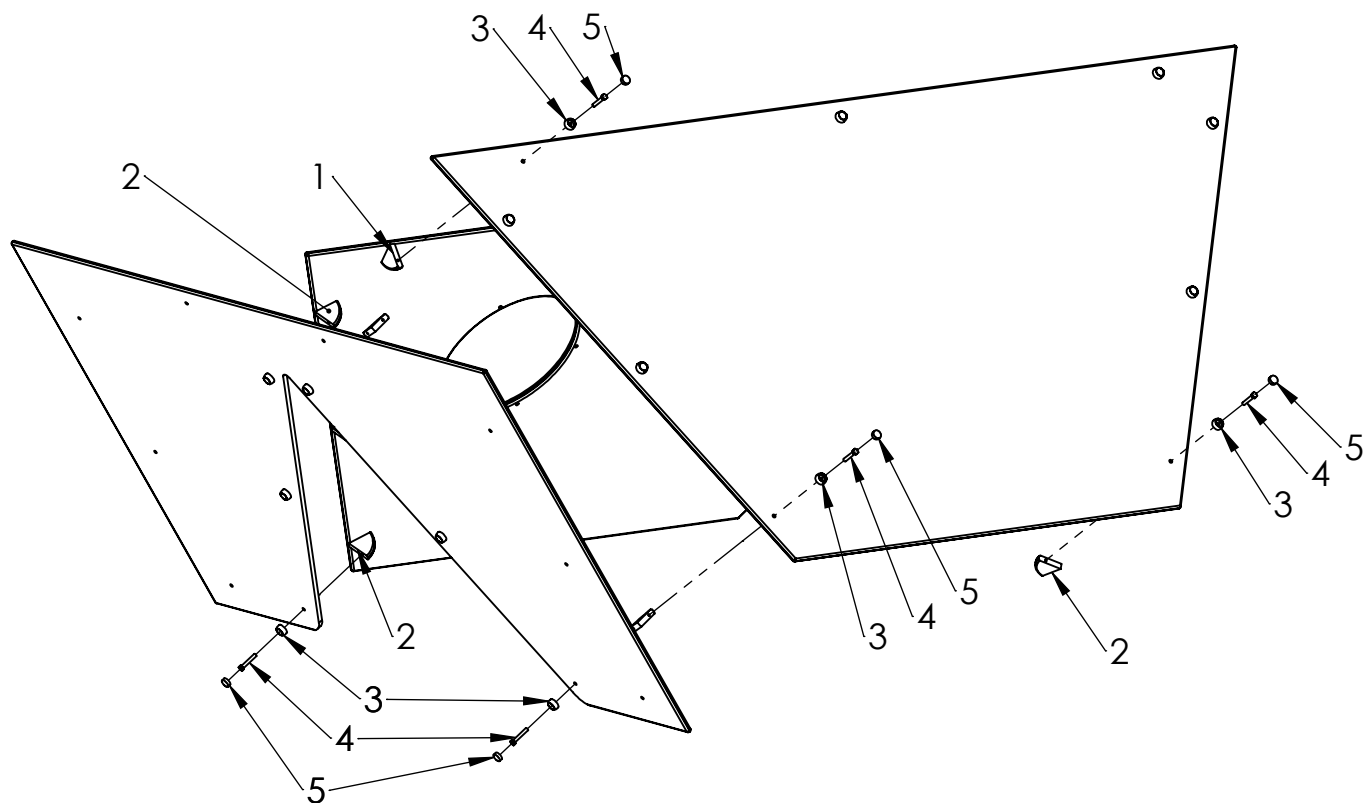
B

C

D

E

F



ITEM NO.	PART NUMBER	DESCRIPTION
1	plastic corner 67°	
2	plastic corner 72°	
3	nut cover M8	PE plastic
4	bolt DIN933 M8x50	galvanized steel
5	nut cover cap M8	PE plastic

UNLESS OTHERWISE SPECIFIED:  
DIMENSIONS ARE IN MILLIMETERS  
WEIGHT ARE IN KILOGRAMM

PART NUMBER / DWG NO.:

Z011

	NAME	SIGNATURE	DATE	REVISION
DRAWN	R.Fedotov		10.12.2014	
APPV'D				

DESCRIPTION:

Aries



**Tiptiptap** OÜ

Tiptiptap OÜ  
Veetorni 9,  
Jüri alevik, Rae vald,  
75301 Harjumaa

MATERIAL:

wood, metal, plastic

A4

WEIGHT:

SCALE: 1:19

SHEET 14 OF 14