

A

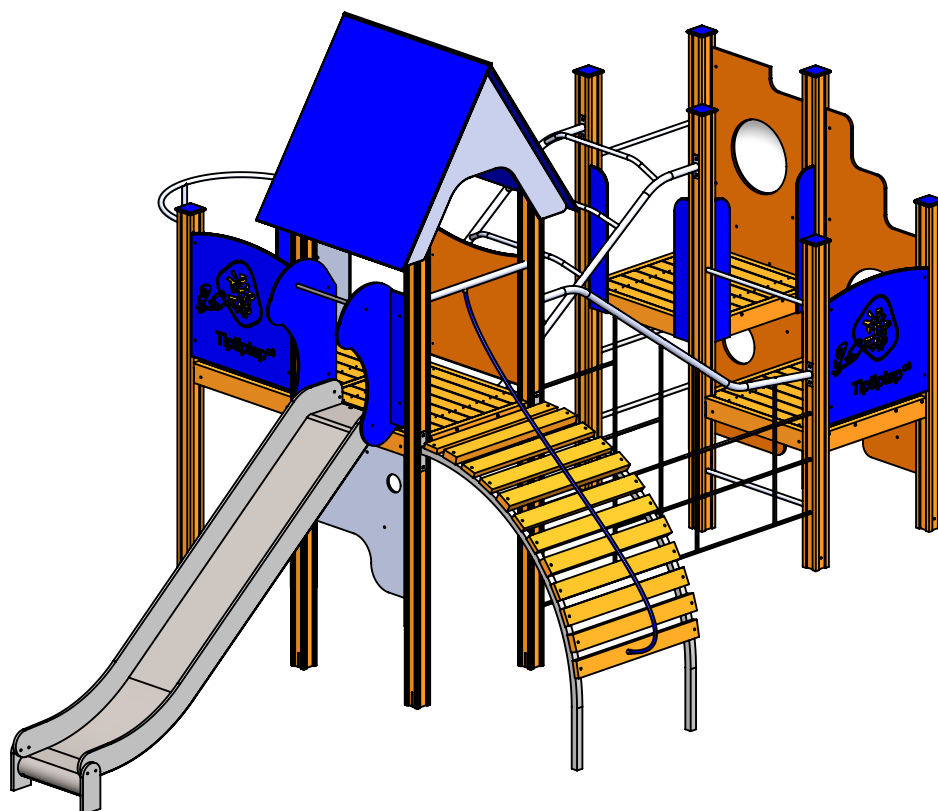
B

C

D

E

F



UNLESS OTHERWISE SPECIFIED:
DIMENSIONS ARE IN MILLIMETERS
WEIGHT ARE IN KILOGRAMM

PART NUMBER / DWG NO.:

Z007

	NAME	SIGNATURE	DATE	REVISION
DRAWN	M.Rebase		26.08.2013	
APPV'D				

DESCRIPTION:

Play centre CANES VENATICI



Tiptaptap OÜ

Tiptaptap OÜ
Veetorni 9,
Jüri alevik, Rae vald,
75301 Harjumaa

MATERIAL:

wood, metal, plastic

A4

WEIGHT:

SCALE: 1:40

SHEET 1 OF 18

A

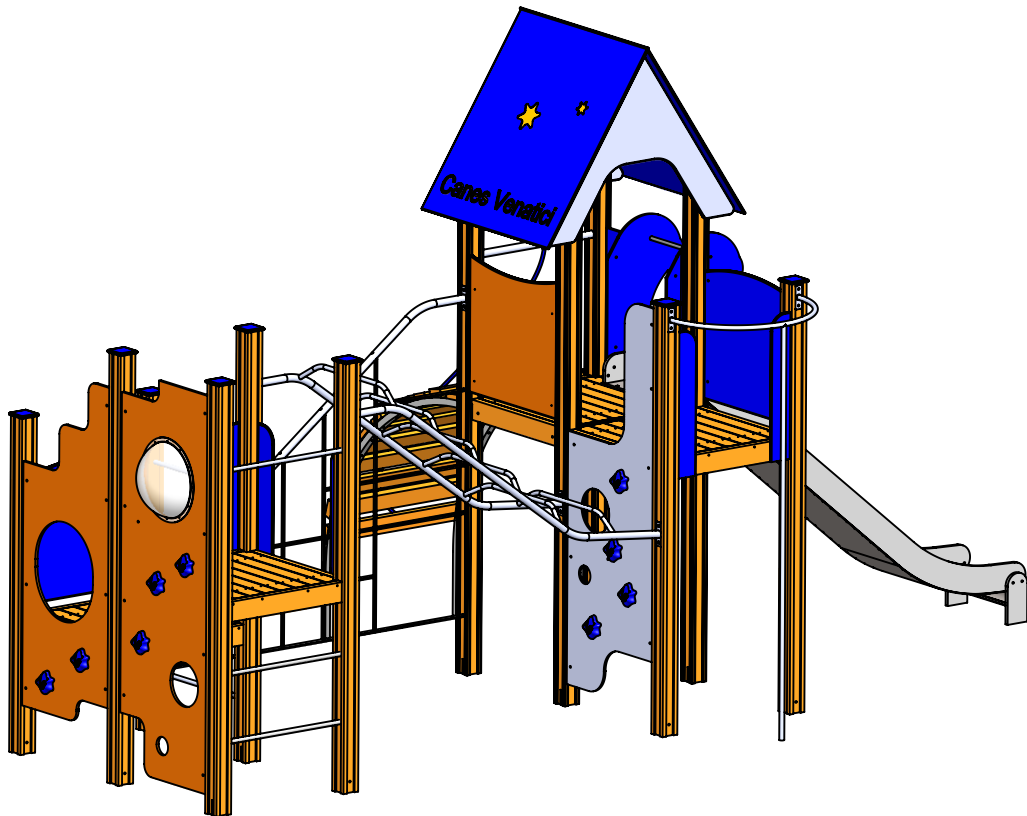
B

C

D

E

F



UNLESS OTHERWISE SPECIFIED:
DIMENSIONS ARE IN MILLIMETERS
WEIGHT ARE IN KILOGRAMM

PART NUMBER / DWG NO.:

Z007

	NAME	SIGNATURE	DATE	REVISION
DRAWN	M.Rebase		26.08.2013	
APPV'D				

DESCRIPTION:

Play centre CANES VENATICI



Tiptaptap OÜ

Tiptaptap OÜ
Veetorni 9,
Jüri alevik, Rae vald,
75301 Harjumaa

MATERIAL:

wood, metal, plastic

A4

WEIGHT:

SCALE: 1:40

SHEET 2 OF 18

safety area

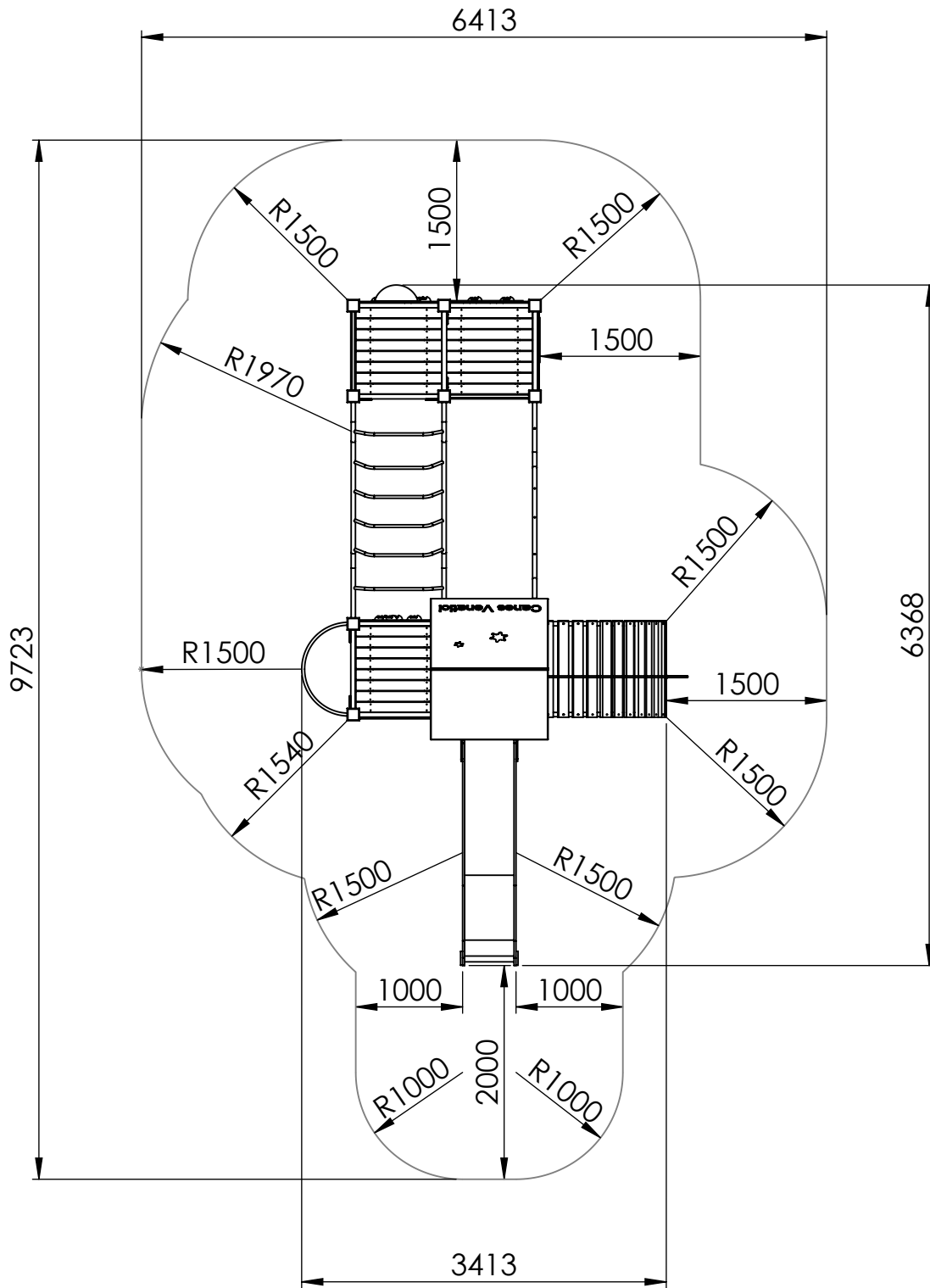
A

B

C

D

E



UNLESS OTHERWISE SPECIFIED:
DIMENSIONS ARE IN MILLIMETERS
WEIGHT ARE IN KILOGRAMM

PART NUMBER / DWG NO.:
Z007

	NAME	SIGNATURE	DATE	REVISION
DRAWN	M.Rebase		26.08.2013	
APPV'D				

DESCRIPTION:
Play centre CANES VENATICI


Tiptaptap OÜ
 Tiptaptap OÜ
 Veetorni 9,
 Jüri alevik, Rae vald,
 75301 Harjumaa

MATERIAL:	wood, metal, plastic	A4
WEIGHT:	SCALE: 1:60	SHEET 3 OF 18

foundation

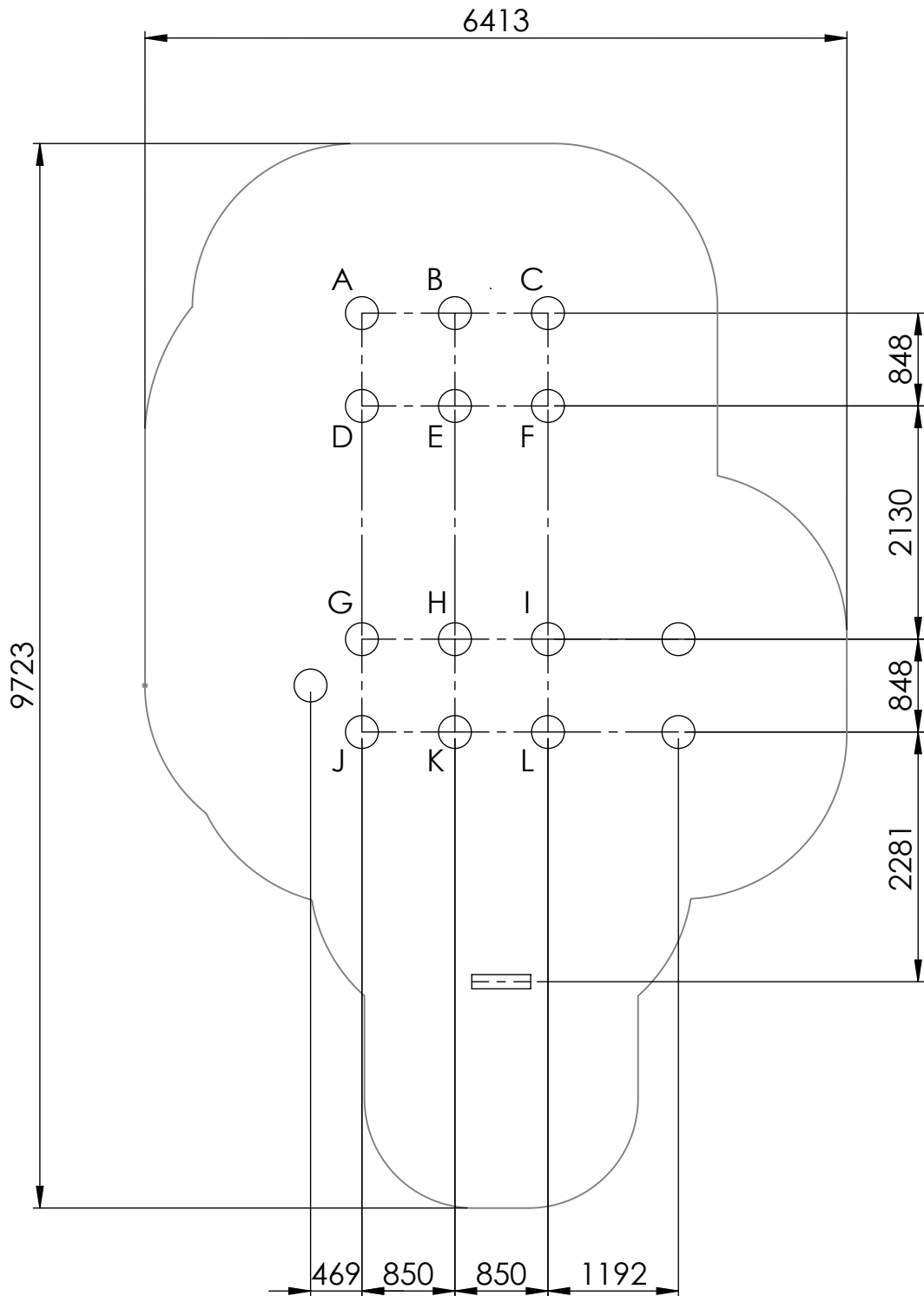
A

B

C

D

E



UNLESS OTHERWISE SPECIFIED:
DIMENSIONS ARE IN MILLIMETERS
WEIGHT ARE IN KILOGRAMM

PART NUMBER / DWG NO.:

Z007

	NAME	SIGNATURE	DATE	REVISION
DRAWN	M.Rebase		26.08.2013	
APPV'D				

DESCRIPTION:

Play centre CANES VENATICI



Tiptaptap OÜ

Tiptaptap OÜ
Veetorni 9,
Jüri alevik, Rae vald,
75301 Harjumaa

MATERIAL:

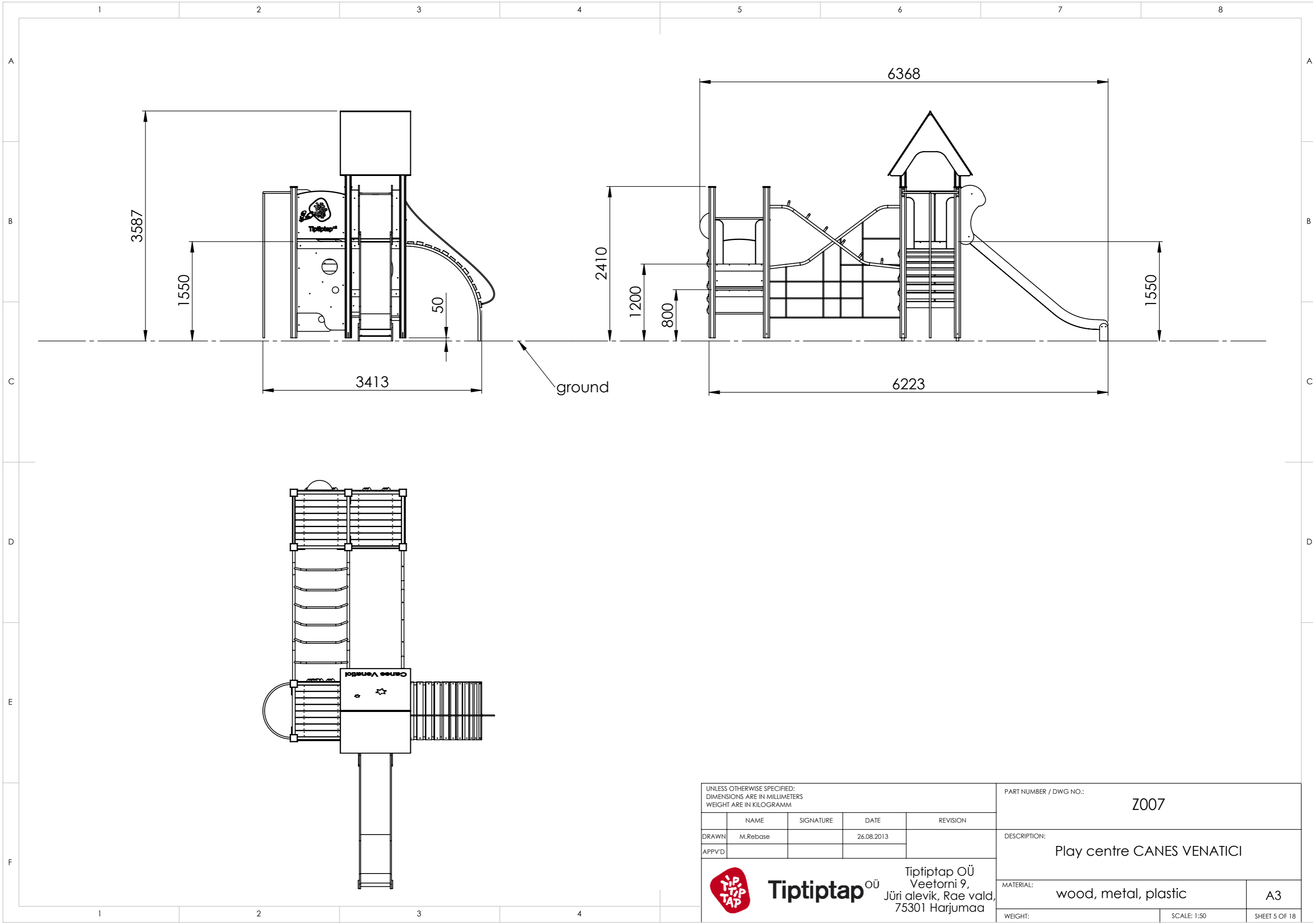
wood, metal, plastic

A4

WEIGHT:

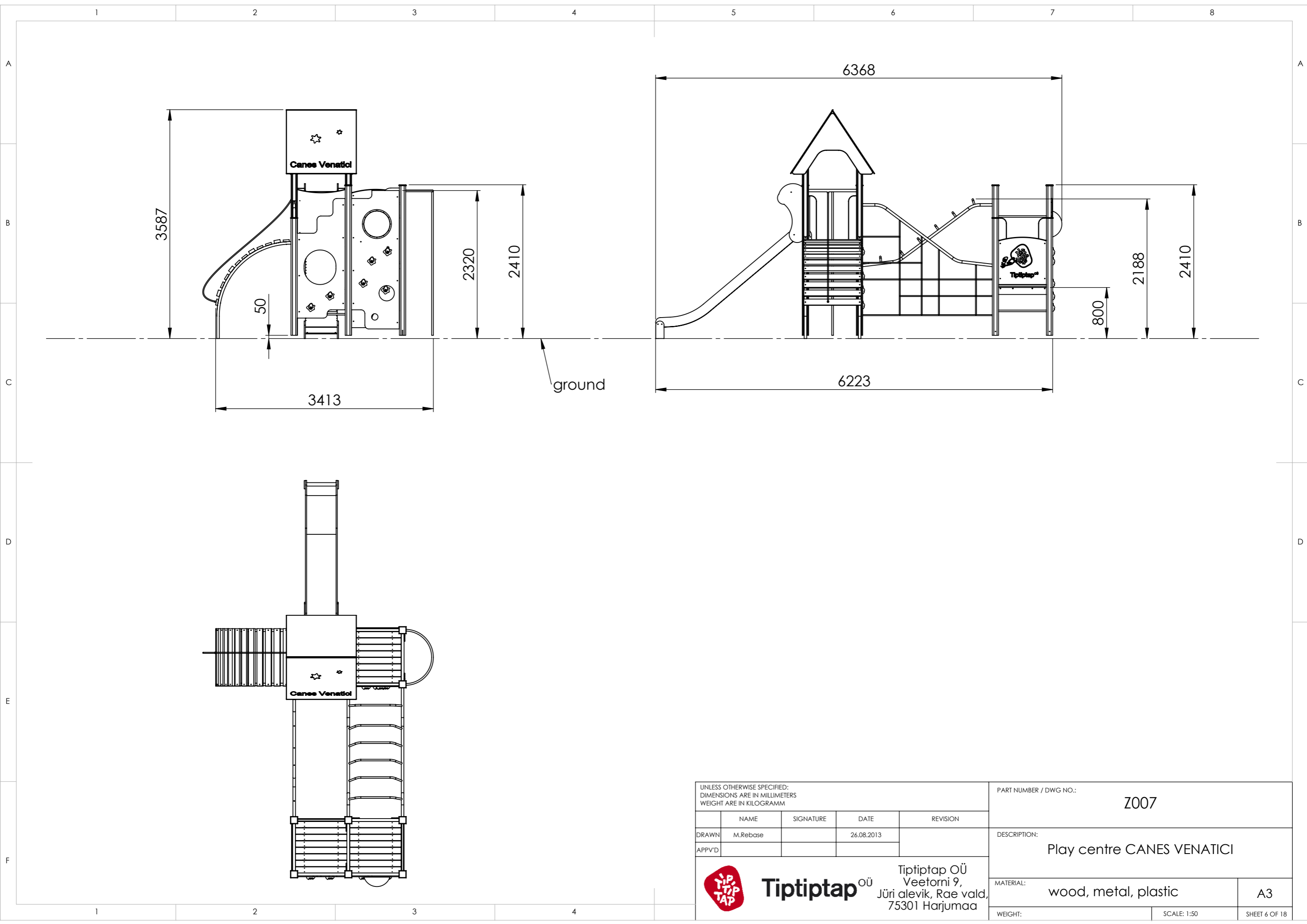
SCALE: 1:60

SHEET 4 OF 18



UNLESS OTHERWISE SPECIFIED: DIMENSIONS ARE IN MILLIMETERS WEIGHT ARE IN KILOGRAMM				PART NUMBER / DWG NO.:	
				Z007	
				DESCRIPTION:	
				Play centre CANES VENATICI	
				MATERIAL:	
				wood, metal, plastic	
				WEIGHT:	
				SCALE: 1:50	
				SHEET 5 OF 18	


Tiptap OÜ
 Veetorni 9,
 Jüri alevik, Rae vald,
 75301 Harjumaa

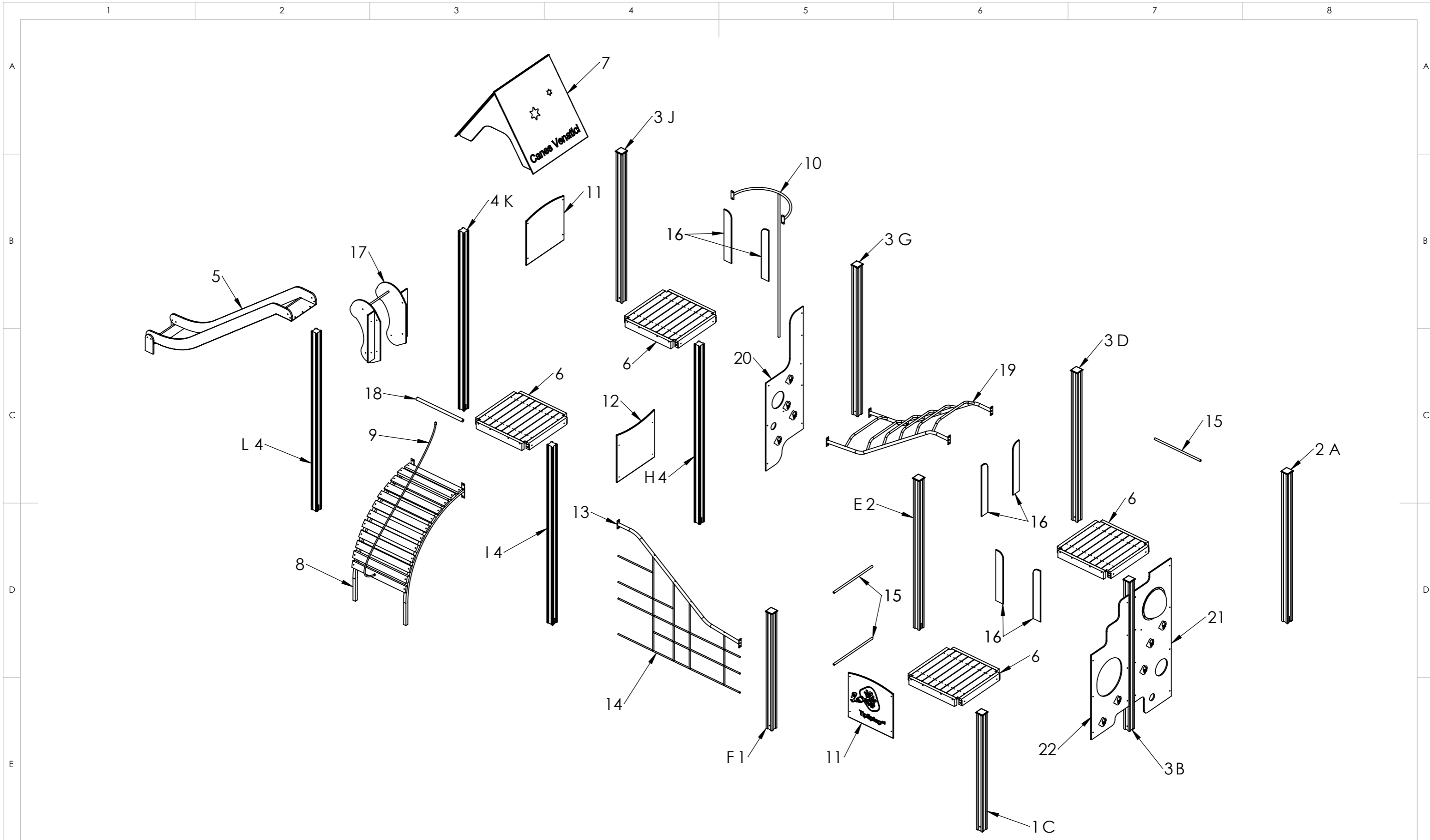


UNLESS OTHERWISE SPECIFIED:
DIMENSIONS ARE IN MILLIMETERS
WEIGHT ARE IN KILOGRAMM

	NAME	SIGNATURE	DATE	REVISION
DRAWN	M.Rebase		26.08.2013	
APPV'D				

Tiptap OÜ
Veetorni 9,
Jüri alevik, Rae vald,
75301 Harjumaa

PART NUMBER / DWG NO.:		Z007	
DESCRIPTION:			
Play centre CANES VENATICI			
MATERIAL:	wood, metal, plastic	A3	
WEIGHT:		SCALE: 1:50	SHEET 6 OF 18



UNLESS OTHERWISE SPECIFIED: DIMENSIONS ARE IN MILLIMETERS WEIGHT ARE IN KILOGRAMM				PART NUMBER / DWG NO.:	
				Z007	
				DESCRIPTION:	
				Play centre CANES VENATICI	
				MATERIAL:	
				wood, metal, plastic	
				WEIGHT:	
				SCALE: 1:45	
				SHEET 7 OF 18	


Tiptap OÜ
 Veetorni 9,
 Jüri alevik, Rae vald,
 75301 Harjumaa

ITEM NO.	PART NUMBER	DESCRIPTION	QTY.	
A	1	post 98x98x1840 with top cover	laminated wood, PE plastic	2
	2	post 98x98x2350 with top cover	laminated wood, PE plastic	2
	3	post 98x98x2350 with top cover	laminated wood	4
	4	post 98x98x2800	laminated wood	4
	5	slide h_1550	stainless steel, PE plastic	1
B	6	Platform	laminated wood, metal	4
	7	roof	plywood	1
	8	climbing ramp	painted steel, wood	1
	9	rope	PP covered steel wire	1
	10	climbing pole	painted steel	1
	11	panel 750x750 with logo	plywood	2
C	12	panel 750x750	plywood	1
	13	beam for climbing net	painted steel	1
	14	climbing net	PP covered steel wire	1
	15	beam 25x770	painted steel	3
	16	panel 125x800	plywood	6
	17	slide guard block	plywood, metal	1
	18	guardrail d.40x770	painted steel	1
	19	climbing ladder	painted steel	1
D	20	climbing panel 1	plywood	1
	21	climbing panel 2	plywood	1
	22	climbing panel 3	plywood	1
E				
F	UNLESS OTHERWISE SPECIFIED: DIMENSIONS ARE IN MILLIMETERS WEIGHT ARE IN KILOGRAMM		PART NUMBER / DWG NO.:	
			Z007	
	NAME	SIGNATURE	DATE	REVISION
	DRAWN	M.Rebase	26.08.2013	
APPV'D				
		DESCRIPTION:		
		Play centre CANES VENATICI		
		MATERIAL:	A4	
		wood, metal, plastic		
		WEIGHT:	SCALE: 1:45	
			SHEET 8 OF 18	



Tiptaptap OÜ

Tiptaptap OÜ
Veetorni 9,
Jüri alevik, Rae vald,
75301 Harjumaa

A

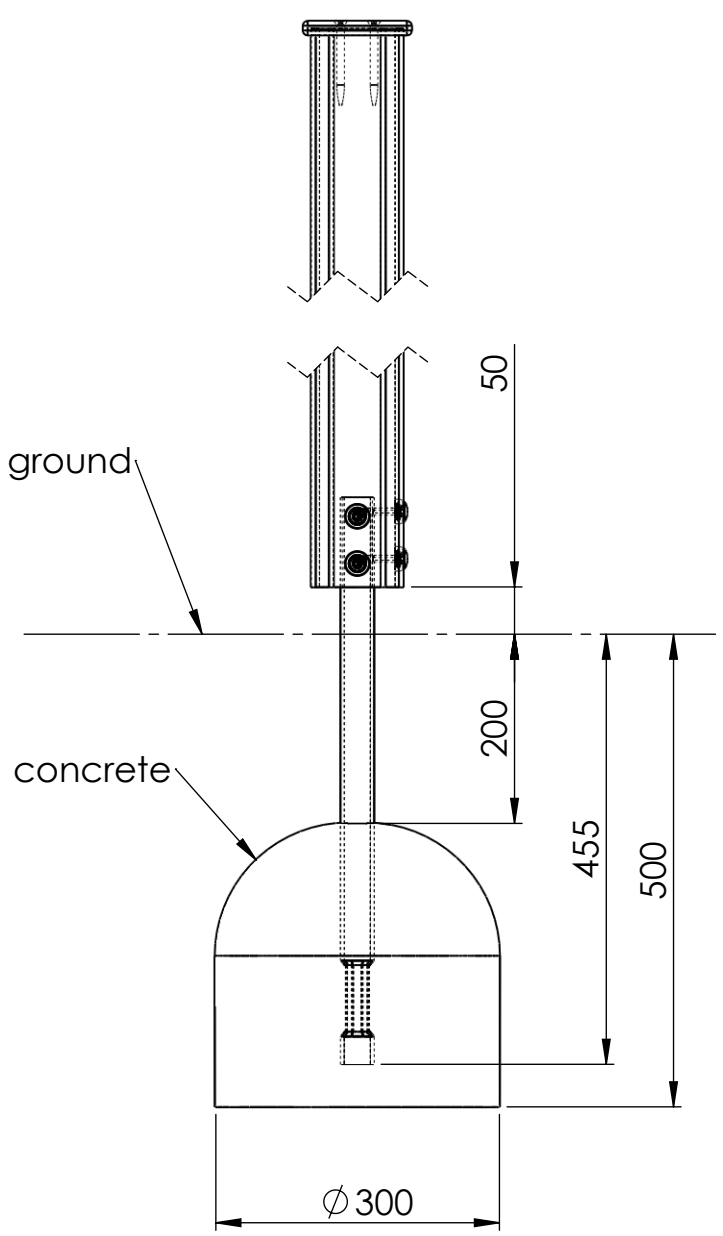
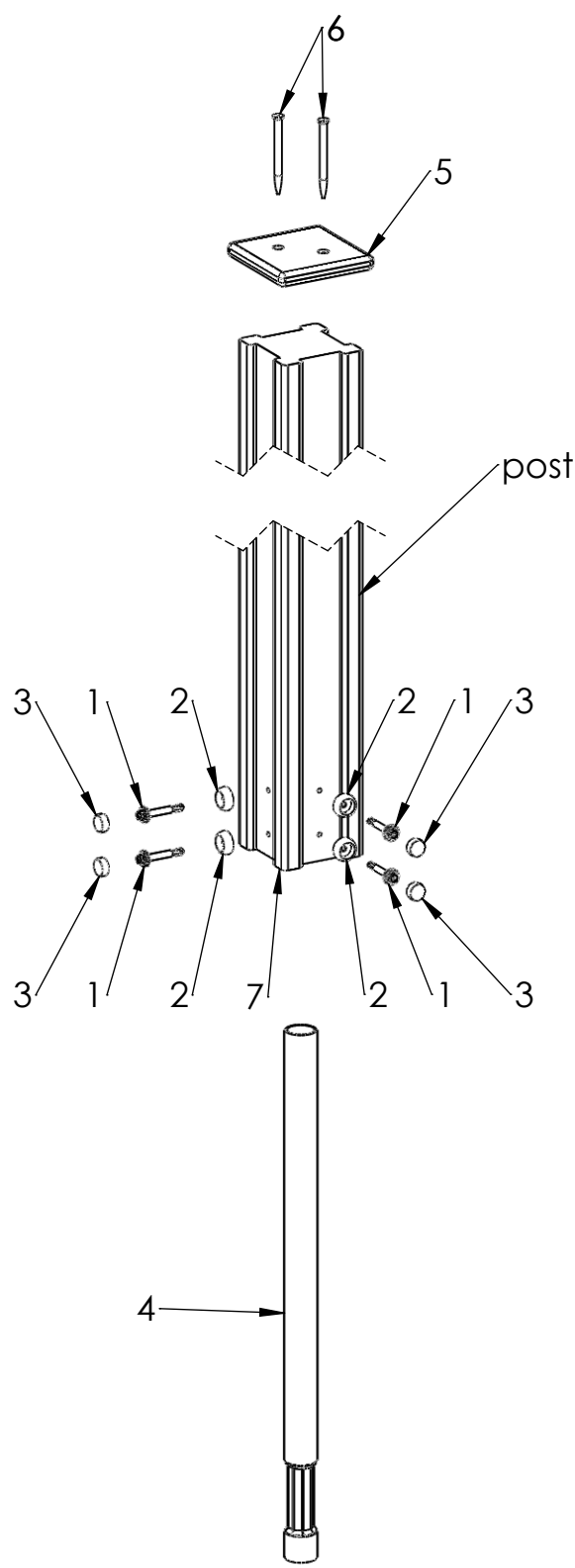
B

C

D

E

F



ITEM NO.	PART NUMBER
1	screw DIN7504K 5,5x50
2	nut cover M6
3	nut cover cap M6
4	metal ground fixing L_600
5	plastic cap 115x115
6	Woodscrew 6 x 90

UNLESS OTHERWISE SPECIFIED:
DIMENSIONS ARE IN MILLIMETERS
WEIGHT ARE IN KILOGRAMM

NAME	SIGNATURE	DATE	REVISION
DRAWN M.Rebase		26.08.2013	
APPV'D			

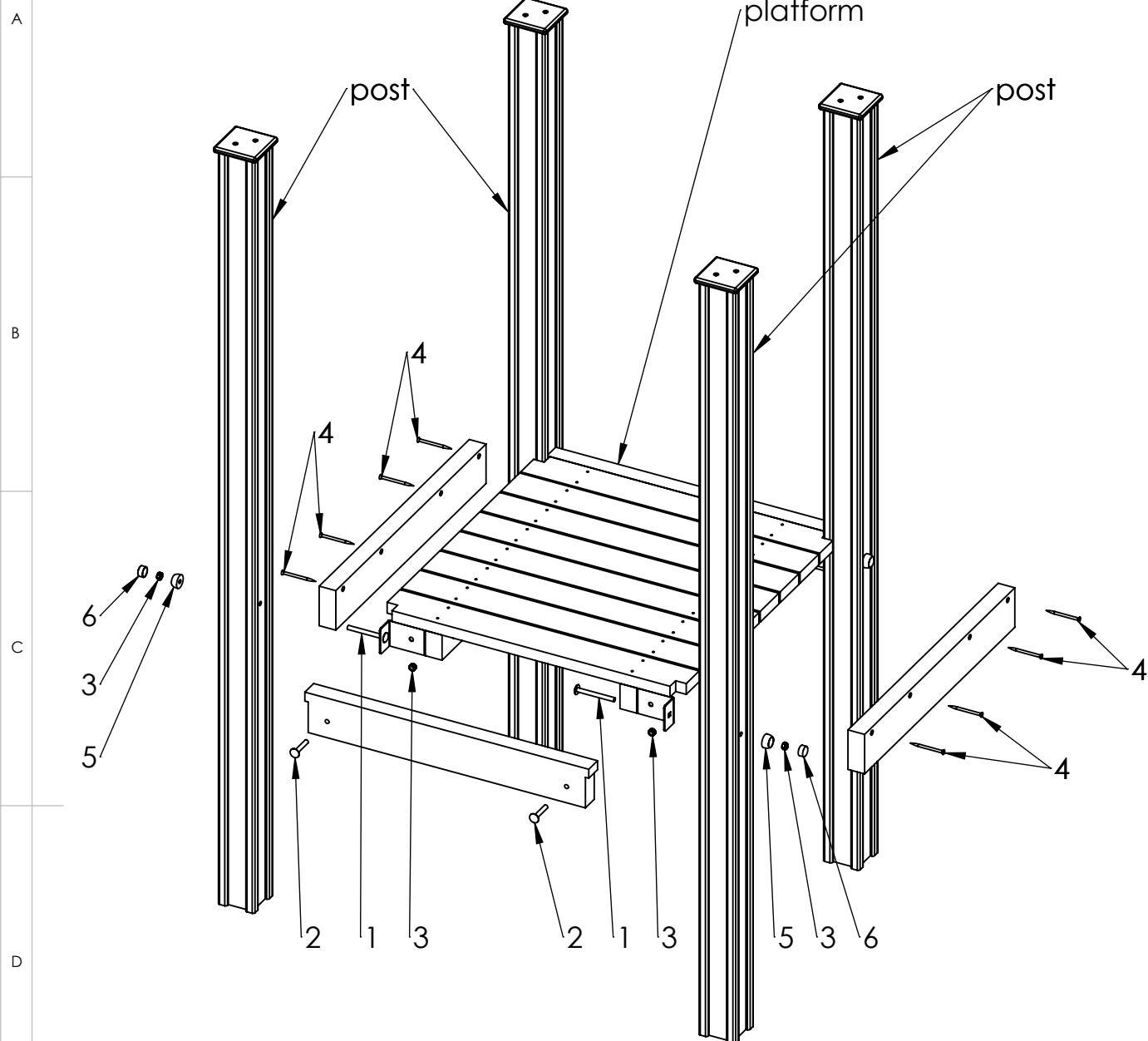
PART NUMBER / DWG NO.:
Z007

DESCRIPTION:
**Play centre CANES VENATICI
connecting metal ground fixing to post**



Tiptiptap OÜ
Tiptiptap OÜ
Veetorni 9,
Jüri alevik, Rae vald,
75301 Harjumaa

MATERIAL: wood, metal, plastic	A4
WEIGHT:	SCALE: 1:8
	SHEET 9 OF 18



E

ITEM NO.	PART NUMBER
1	bolt DIN603 M10x100
2	bolt DIN603 M10x60
3	nut DIN985 M10
4	woodscrew 6 x 90
5	nut cover M10
6	nut cover cap M10

F

UNLESS OTHERWISE SPECIFIED:
DIMENSIONS ARE IN MILLIMETERS
WEIGHT ARE IN KILOGRAMM

PART NUMBER / DWG NO.:

Z007

	NAME	SIGNATURE	DATE	REVISION
DRAWN	M.Rebase		26.08.2013	
APPV'D				

DESCRIPTION:

Play centre CANES VENATICI
connecting platform to post

MATERIAL:

wood, metal, plastic

A4

WEIGHT:

SCALE: 1:15

SHEET 10 OF 18



Tiptaptap OÜ

Tiptaptap OÜ
Veetorni 9,
Jüri alevik, Rae vald,
75301 Harjumaa

A

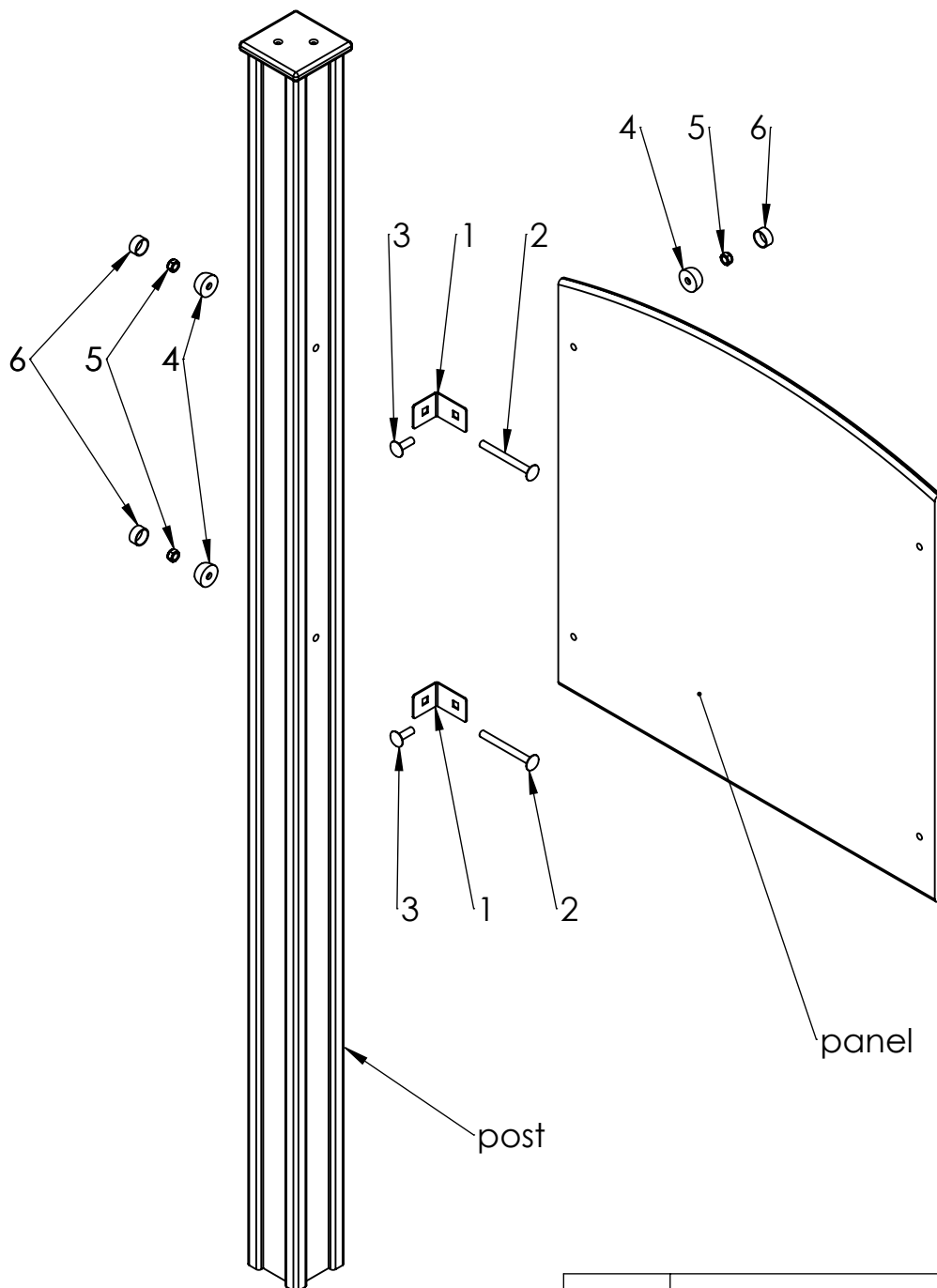
B

C

D

E

F



ITEM NO.	PART NUMBER
1	corner 48x60
2	bolt DIN603 M10x100
3	bolt DIN603 M10x30
4	nut cover M10
5	nut DIN985 M10
6	nut cover cap M10

UNLESS OTHERWISE SPECIFIED:
DIMENSIONS ARE IN MILLIMETERS
WEIGHT ARE IN KILOGRAMM

PART NUMBER / DWG NO.:

Z007

	NAME	SIGNATURE	DATE	REVISION
DRAWN	M.Rebase		26.08.2013	
APPV'D				

DESCRIPTION:

Play centre CANES VENATICI
connecting panel to post

MATERIAL:

wood, metal, plastic

A4

WEIGHT:

SCALE: 1:10

SHEET 11 OF 18



Tiptap OÜ

Tiptap OÜ
Veetorni 9,
Jüri alevik, Rae vald,
75301 Harjumaa

A

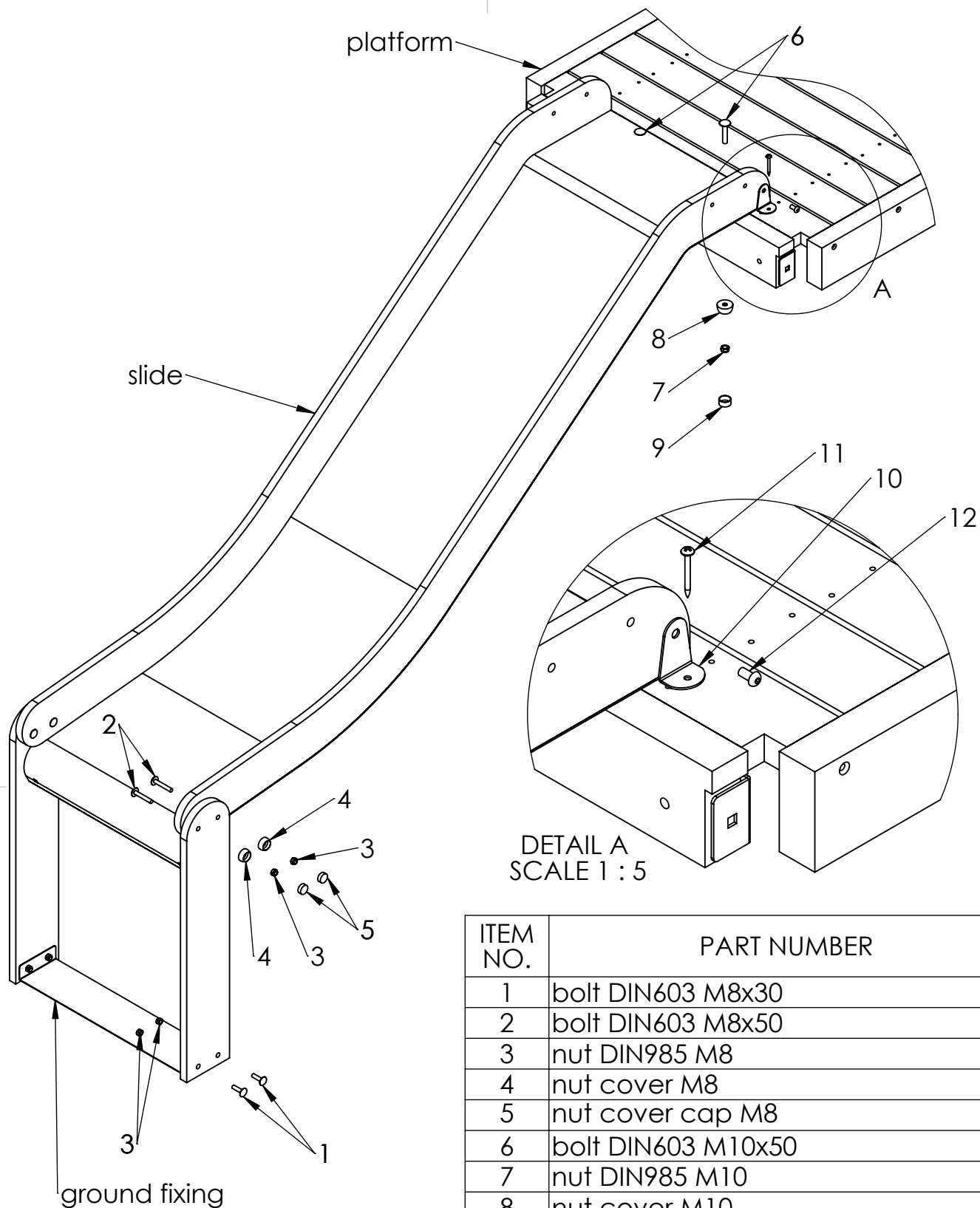
B

C

D

E

F



ITEM NO.	PART NUMBER
1	bolt DIN603 M8x30
2	bolt DIN603 M8x50
3	nut DIN985 M8
4	nut cover M8
5	nut cover cap M8
6	bolt DIN603 M10x50
7	nut DIN985 M10
8	nut cover M10
9	nut cover cap M10
10	corner 58x30
11	screw DIN 7996 d.6x50
12	metal screw DIN 7380 M8x16

UNLESS OTHERWISE SPECIFIED:
DIMENSIONS ARE IN MILLIMETERS
WEIGHT ARE IN KILOGRAMM

	NAME	SIGNATURE	DATE	REVISION
DRAWN	M.Rebase		26.08.2013	
APPV'D				

PART NUMBER / DWG NO.:

Z007

DESCRIPTION:

Play centre CANES VENATICI
connecting slide to platform

MATERIAL:

wood, metal, plastic

A4

WEIGHT:

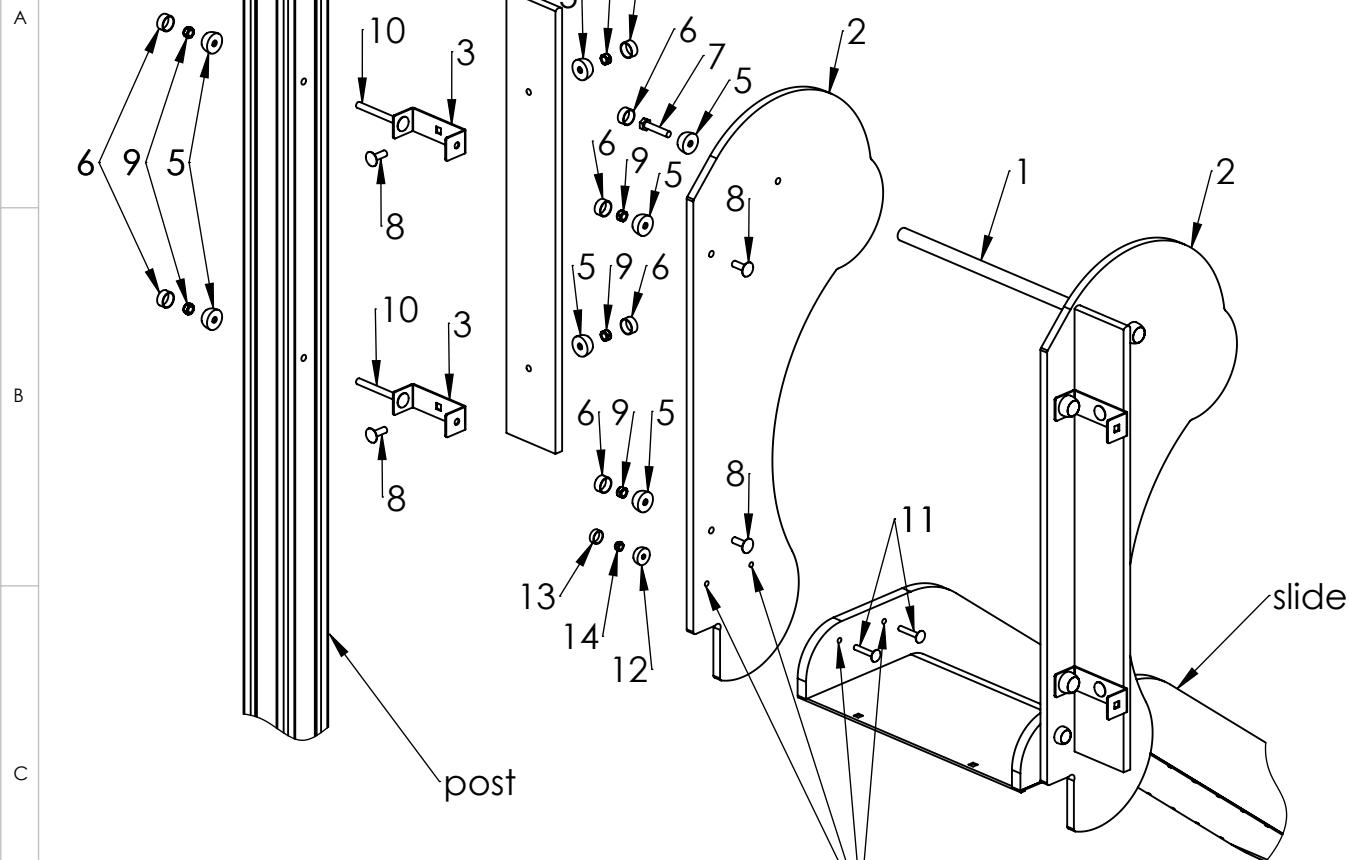
SCALE: 1:12

SHEET 12 OF 18



Tiptiptap OÜ

Tiptiptap OÜ
Veetorni 9,
Jüri alevik, Rae vald,
75301 Harjumaa



It is important to drill 8,5mm holes through side panel and slide.

ITEM NO.	PART NUMBER
1	slide guardrail
2	slide side panel
3	slide side panel fixing 40x120
4	side panel 110x780
5	nut cover M10
6	nut cover cap M10
7	bolt DIN931 M10x50
8	bolt DIN603 M10x30
9	nut DIN985 M10
10	bolt DIN603 M10x100
11	bolt DIN603 M8x45
12	nut cover M8
13	nut cover cap M8
14	nut DIN985 M8

UNLESS OTHERWISE SPECIFIED:
DIMENSIONS ARE IN MILLIMETERS
WEIGHT ARE IN KILOGRAMM

PART NUMBER / DWG NO.:

Z007

NAME	SIGNATURE	DATE	REVISION
DRAWN	M.Rebase	26.08.2013	
APPV'D			

DESCRIPTION:

Play centre CANES VENATICI
connecting slide guard block to post

MATERIAL:

wood, metal, plastic

A4

WEIGHT:

SCALE: 1:12

SHEET 13 OF 18



Tiptaptap OÜ

Tiptaptap OÜ
Veetorni 9,
Jüri alevik, Rae vald,
75301 Harjumaa

A

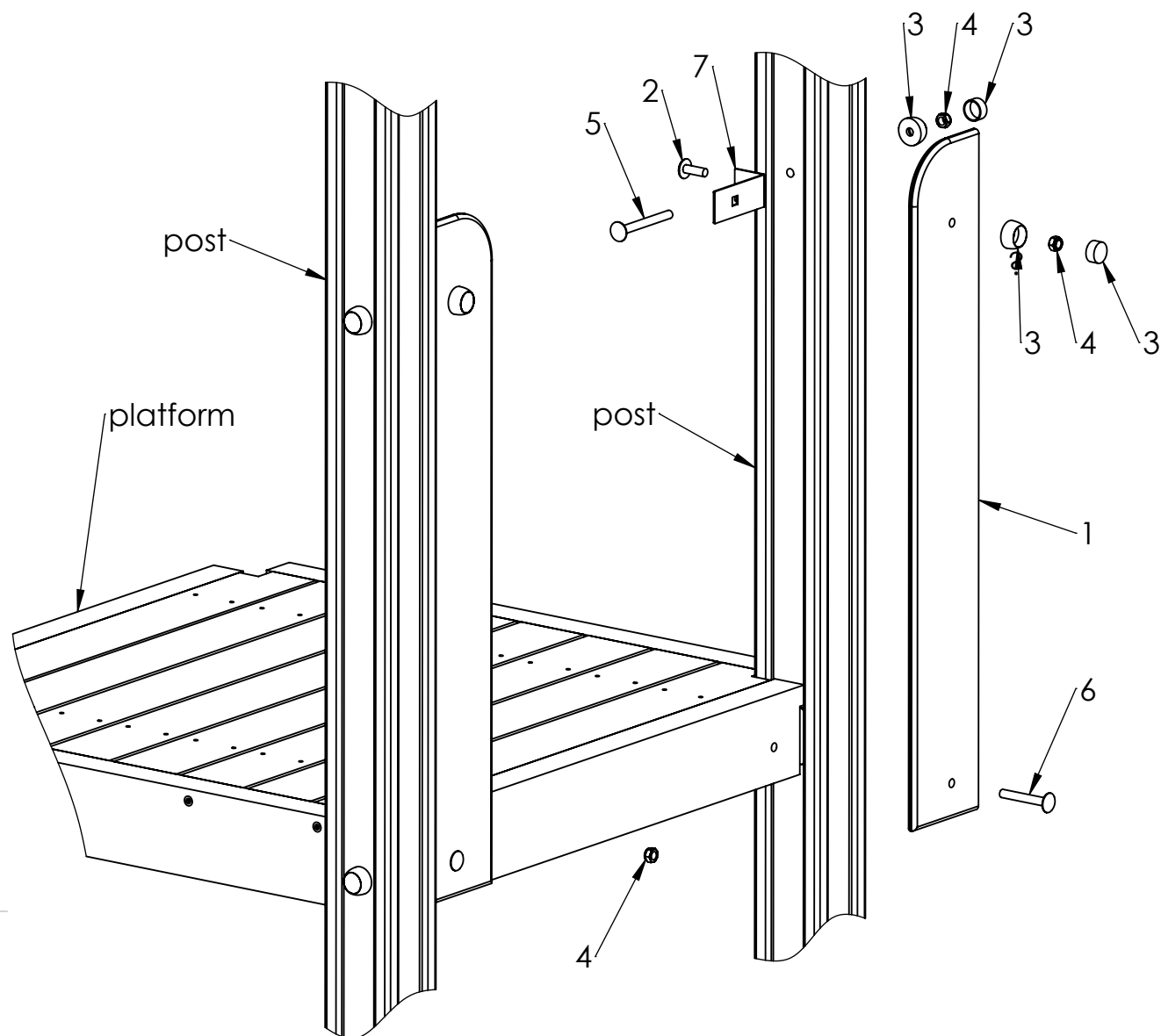
B

C

D

E

F



ITEM NO.	PART NUMBER
1	panel 850x126
2	bolt DIN603 M10x30
3	nut cover with cap
4	nut DIN985 M10
5	bolt DIN603 M10x100
6	bolt DIN603 M10x70
7	slide side panel fixing 40x100

UNLESS OTHERWISE SPECIFIED:
DIMENSIONS ARE IN MILLIMETERS
WEIGHT ARE IN KILOGRAMM

	NAME	SIGNATURE	DATE	REVISION
DRAWN	M.Rebase		26.08.2013	
APPV'D				

PART NUMBER / DWG NO.:

Z007

DESCRIPTION:

Play centre CANES VENATICI
connecting climbing pole side panels

MATERIAL:

wood, metal, plastic

A4

WEIGHT:

SCALE: 1:8

SHEET 15 OF 18



Tiptaptap OÜ

Tiptaptap OÜ
Veetorni 9,
Jüri alevik, Rae vald,
75301 Harjumaa

A

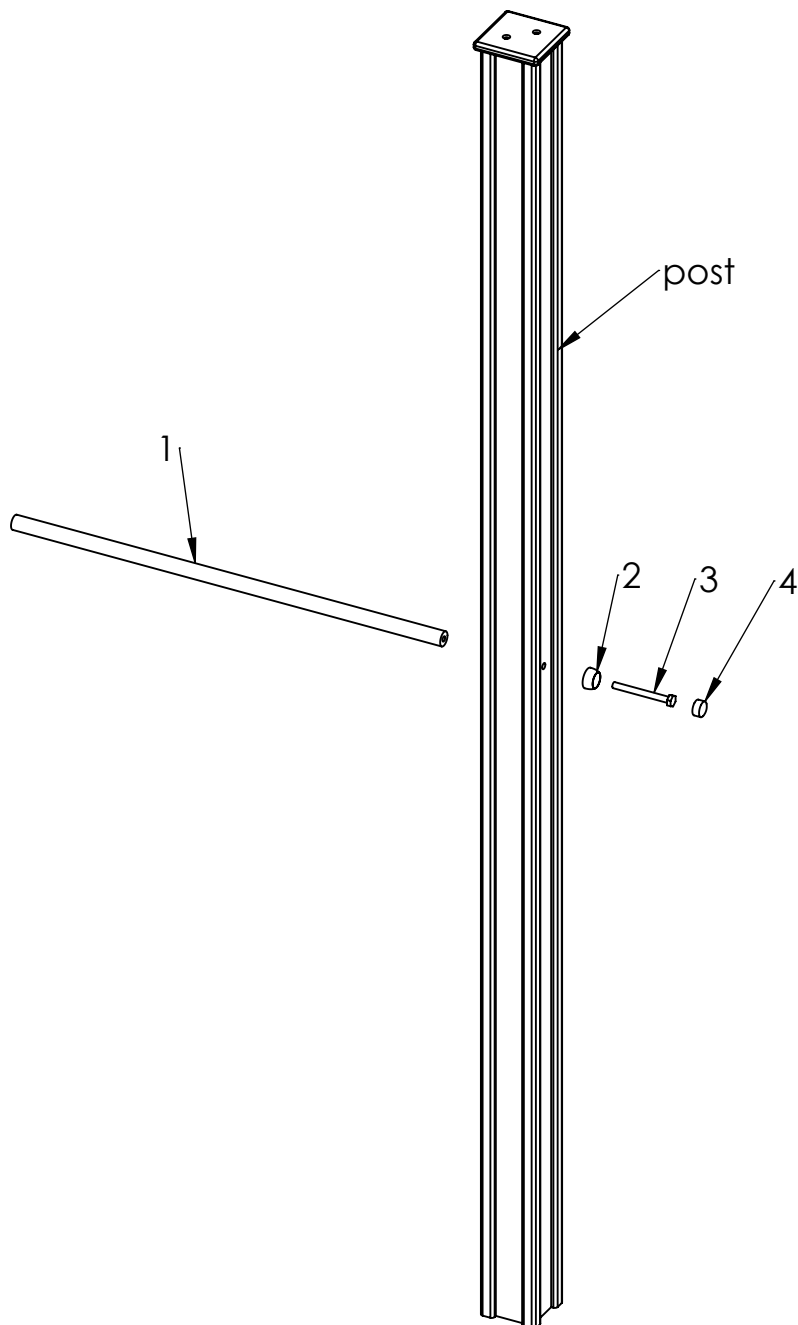
B

C

D

E

F



ITEM NO.	PART NUMBER
1	guardrail ϕ 25x770
2	nut cover M10
3	bolt DIN931 M10x100
4	nut cover cap M10

UNLESS OTHERWISE SPECIFIED:
DIMENSIONS ARE IN MILLIMETERS
WEIGHT ARE IN KILOGRAMM

	NAME	SIGNATURE	DATE	REVISION
DRAWN	M.Rebase		26.08.2013	
APPV'D				

PART NUMBER / DWG NO.:

Z007
connecting guardrail to post

DESCRIPTION:

Play centre CANES VENATICI

MATERIAL:

wood, metal, plastic

A4

WEIGHT:

SCALE: 1:12

SHEET 16 OF 18



Tiptap OÜ

Tiptap OÜ
Veetorni 9,
Jüri alevik, Rae vald,
75301 Harjumaa

A

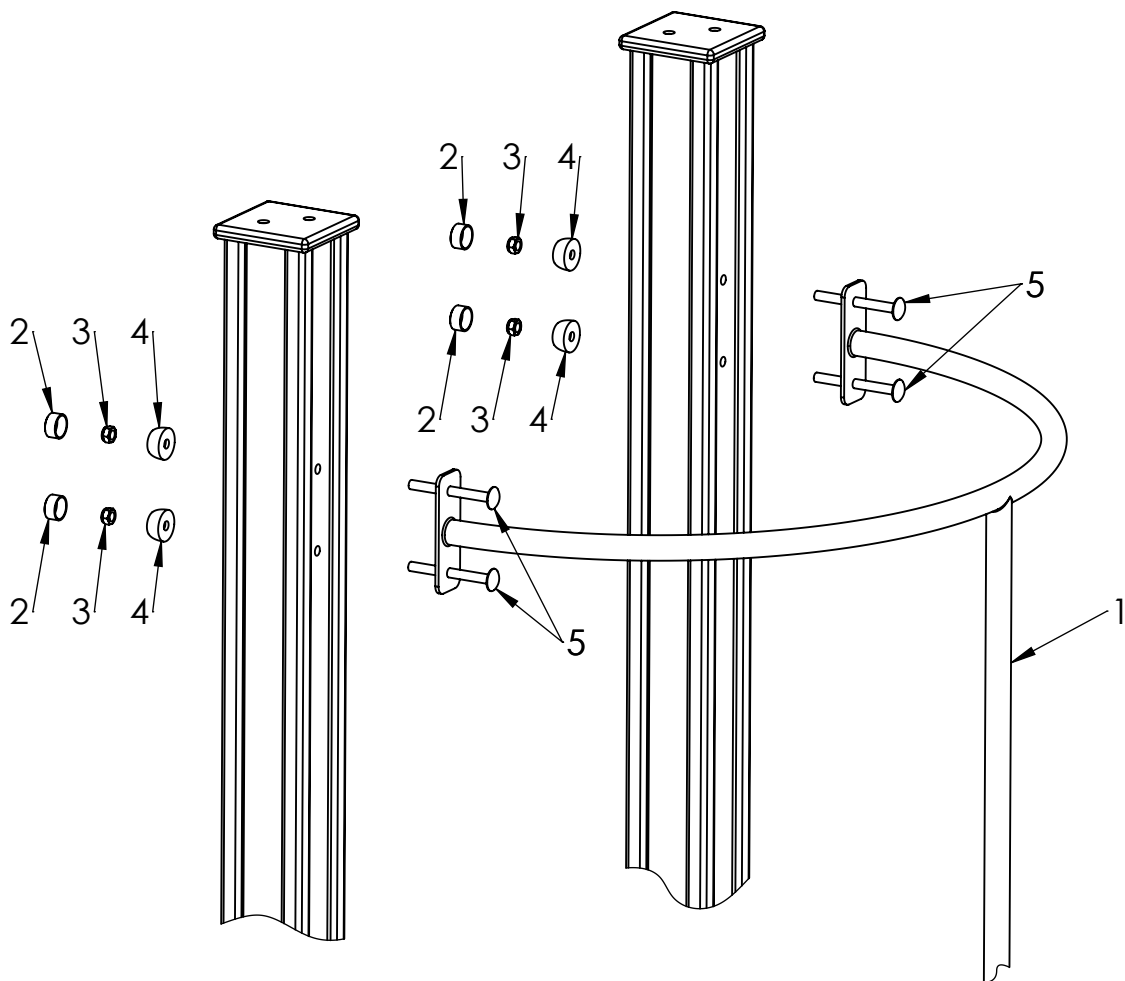
B

C

D

E

F



ITEM NO.	PART NUMBER
1	climbing pole
2	nut cover cap M10
3	nut DIN985 M10
4	nut cover M10
5	bolt DIN603 M10x100

UNLESS OTHERWISE SPECIFIED:
DIMENSIONS ARE IN MILLIMETERS
WEIGHT ARE IN KILOGRAMM

PART NUMBER / DWG NO.:

Z007

	NAME	SIGNATURE	DATE	REVISION
DRAWN	M.Rebase		26.08.2013	
APPV'D				

DESCRIPTION:

Play centre CANES VENATICI
connecting climbing pole to post

MATERIAL:

wood, metal, plastic

A4

WEIGHT:

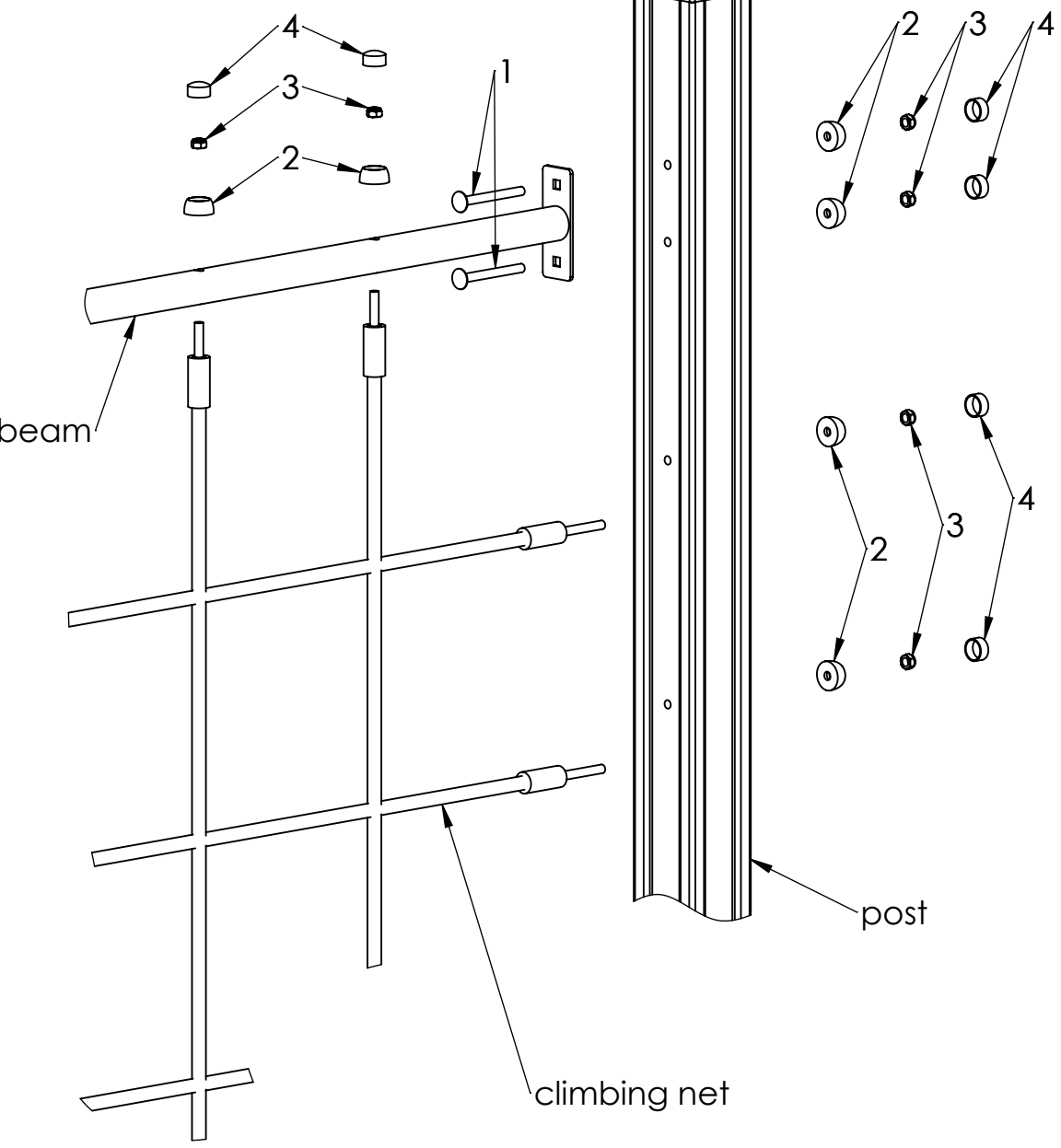
SCALE: 1:8

SHEET 17 OF 18



Tiptap OÜ

Tiptap OÜ
Veetorni 9,
Jüri alevik, Rae vald,
75301 Harjumaa



ITEM NO.	PART NUMBER
1	bolt DIN603 M10x100
2	nut cover M10
3	nut DIN985 M10
4	nut cover cap M10

UNLESS OTHERWISE SPECIFIED: DIMENSIONS ARE IN MILLIMETERS WEIGHT ARE IN KILOGRAMM				
	NAME	SIGNATURE	DATE	REVISION
DRAWN	M.Rebase		26.08.2013	
APPV'D				

PART NUMBER / DWG NO.:	Z007
DESCRIPTION:	Play centre CANES VENATICI connecting beam and climbing net to post


Tiptaptap OÜ
 Tiptaptap OÜ
 Veetorni 9,
 Jüri alevik, Rae vald,
 75301 Harjumaa

MATERIAL:	wood, metal, plastic	A4
WEIGHT:	SCALE: 1:8	SHEET 18 OF 18