

UNLESS OTHERWISE SPECIFIED:
 DIMENSIONS ARE IN MILLIMETERS
 WEIGHT ARE IN KILOGRAMM

PART NUMBER / DWG NO.:
7002

	NAME	SIGNATURE	DATE	REVISION
DRAWN	M.Rebase		23.07.2014	
APPV'D				

DESCRIPTION:
Play Centre CEPHEUS


Tiptaptap OÜ
 Veetorni 9,
 Jüri alevik, Rae vald,
 75301 Harjumaa

MATERIAL:	wood, metal, plastic	A4
WEIGHT:		SCALE: 1:40
		SHEET 1 OF 18



UNLESS OTHERWISE SPECIFIED:
DIMENSIONS ARE IN MILLIMETERS
WEIGHT ARE IN KILOGRAMM

PART NUMBER / DWG NO.:

Z002

	NAME	SIGNATURE	DATE	REVISION
DRAWN	M.Rebase		23.07.2014	
APPV'D				

DESCRIPTION:

Play Centre CEPHEUS



Tiptaptap OÜ

Tiptaptap OÜ
Veetorni 9,
Jüri alevik, Rae vald,
75301 Harjumaa

MATERIAL:

wood, metal, plastic

A4

WEIGHT:

SCALE: 1:40

SHEET 2 OF 18

safety area

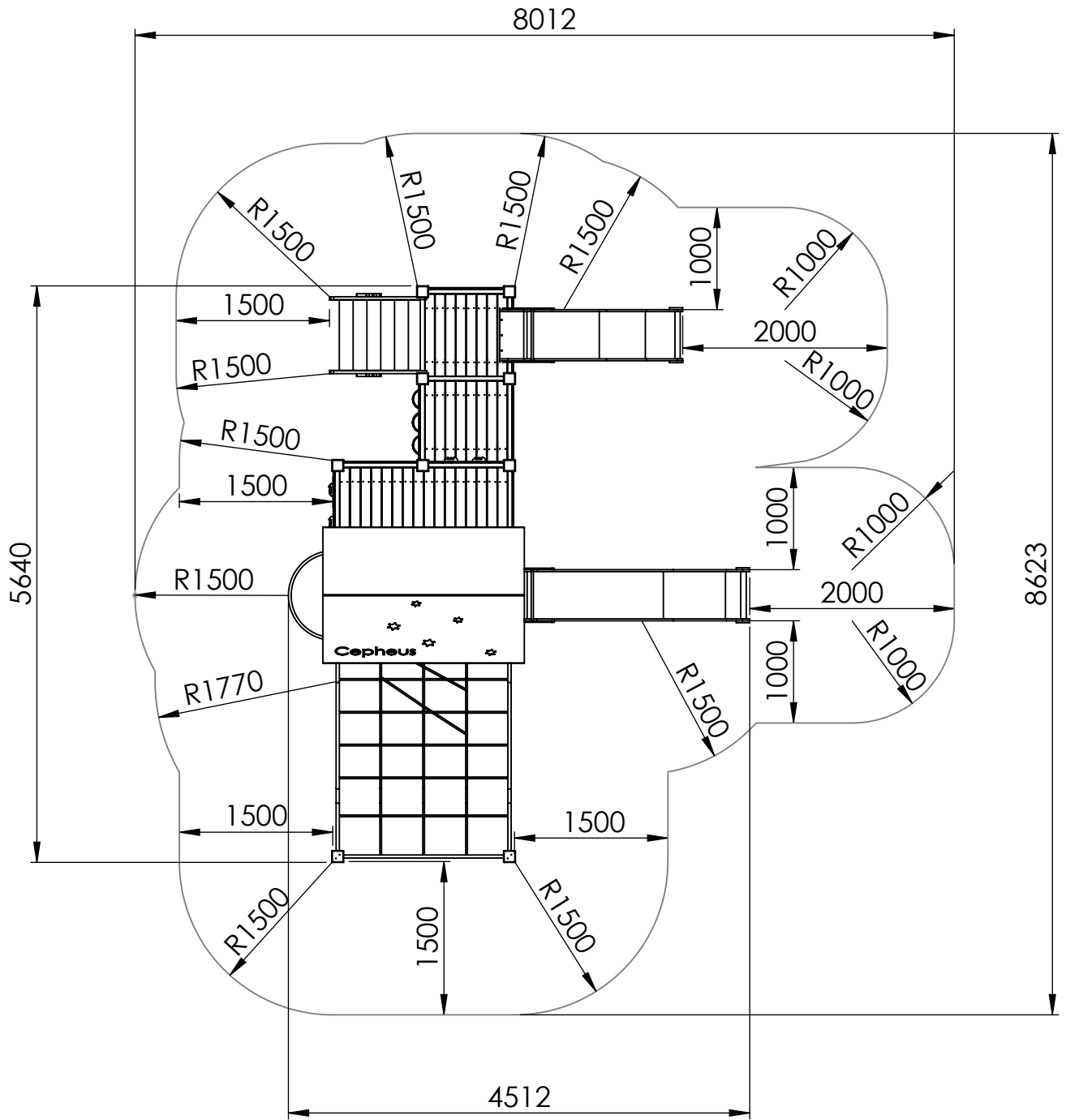
A

B

C

D

E



UNLESS OTHERWISE SPECIFIED:
DIMENSIONS ARE IN MILLIMETERS
WEIGHT ARE IN KILOGRAMM

PART NUMBER / DWG NO.:

Z002

	NAME	SIGNATURE	DATE	REVISION
DRAWN	M.Rebase		23.07.2014	
APPV'D				

DESCRIPTION:

Play Centre CEPHEUS



Tiptap OÜ

Tiptap OÜ
Veetorni 9,
Jüri alevik, Rae vald,
75301 Harjumaa

MATERIAL:

wood, metal, plastic

A4

WEIGHT:

SCALE: 1:60

SHEET 3 OF 18

foundation

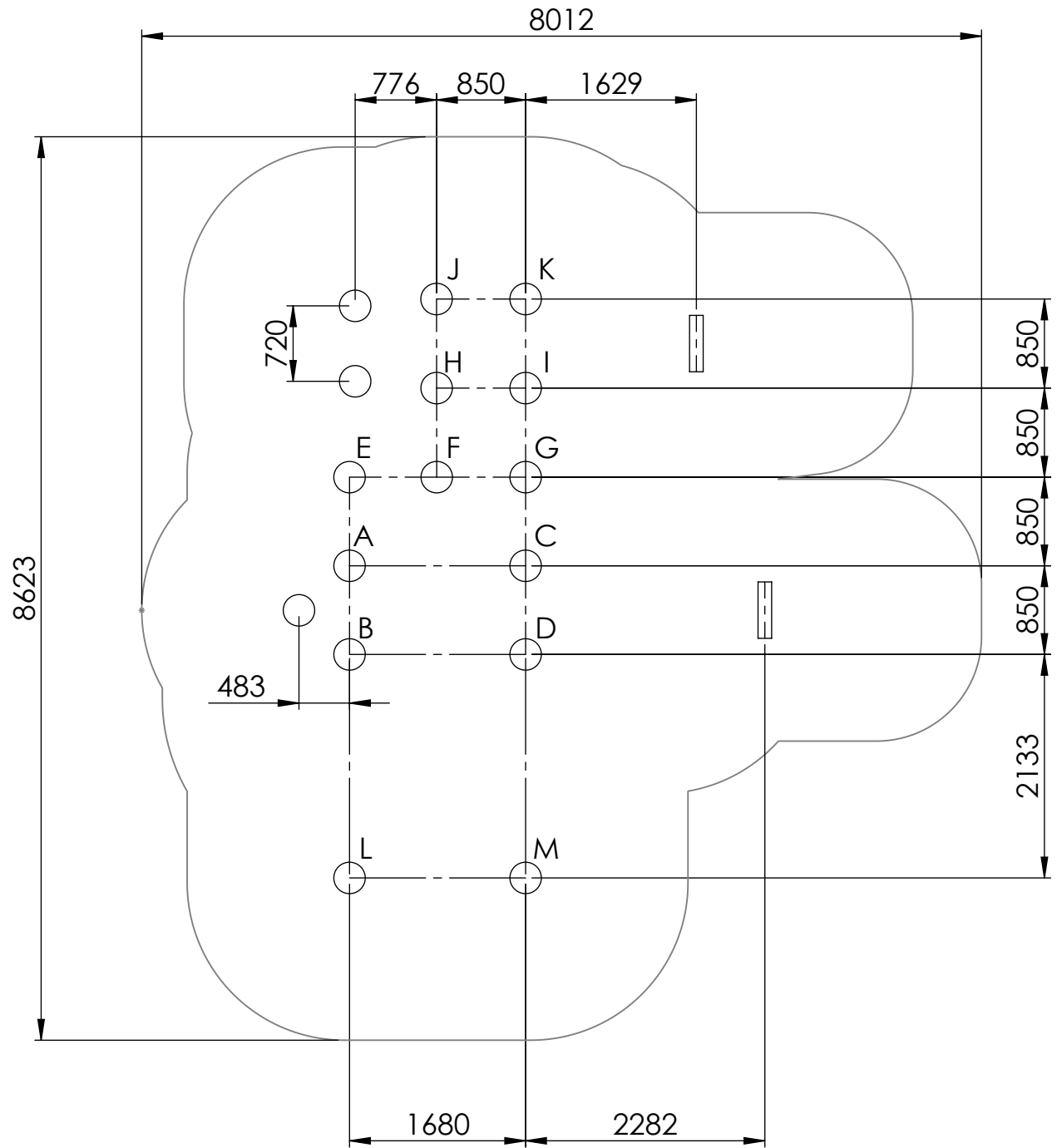
A

B

C

D

E



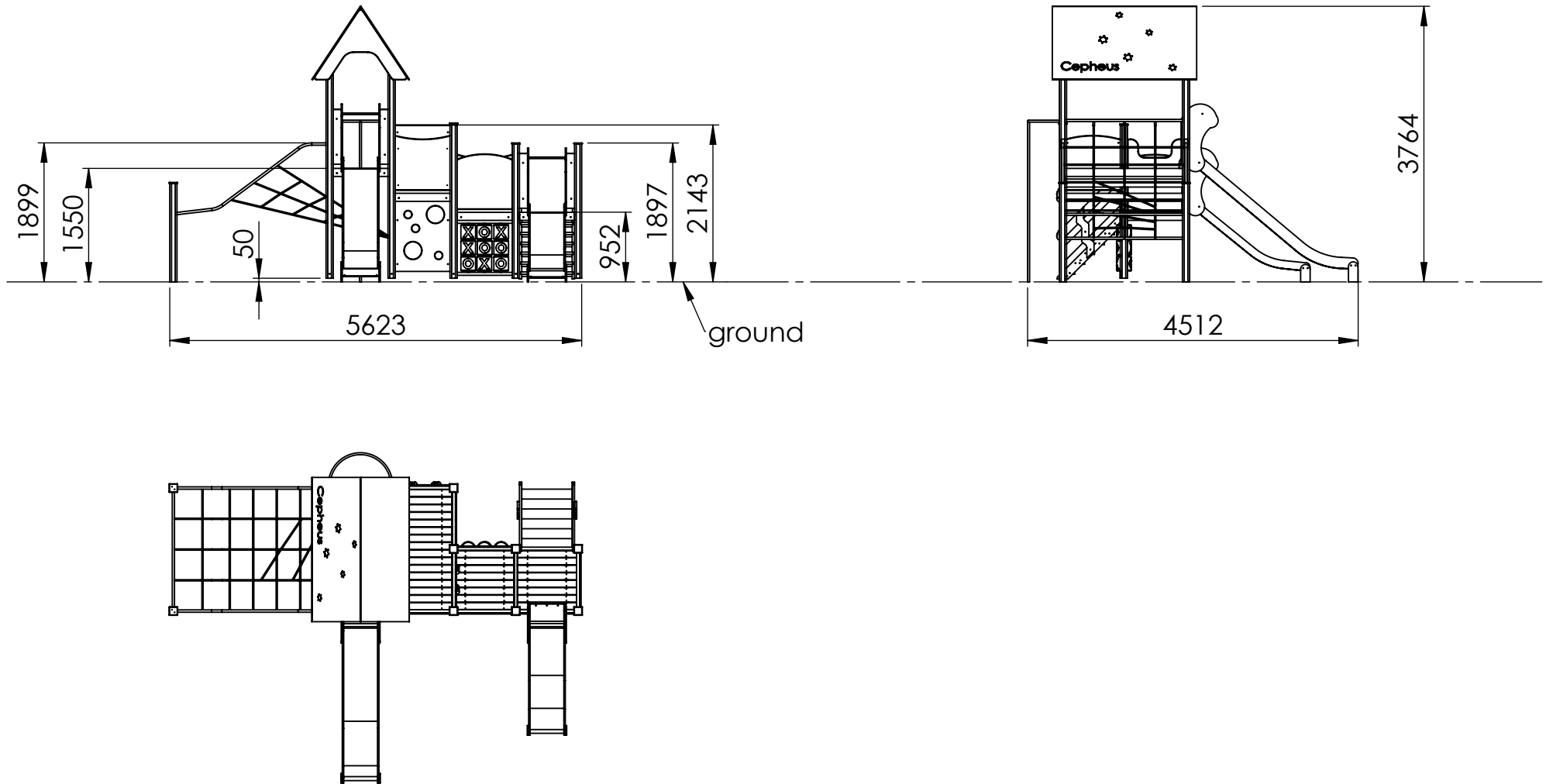
UNLESS OTHERWISE SPECIFIED: DIMENSIONS ARE IN MILLIMETERS WEIGHT ARE IN KILOGRAMM				
	NAME	SIGNATURE	DATE	REVISION
DRAWN	M.Rebase		23.07.2014	
APPV'D				

PART NUMBER / DWG NO.: **Z002**

DESCRIPTION: **Play Centre CEPHEUS**


Tiptaptap OÜ
 Veetorni 9,
 Jüri alevik, Rae vald,
 75301 Harjumaa

MATERIAL:	wood, metal, plastic	A4
WEIGHT:	SCALE: 1:60	SHEET 4 OF 18



UNLESS OTHERWISE SPECIFIED:
 DIMENSIONS ARE IN MILLIMETERS
 WEIGHT ARE IN KILOGRAMM

PART NUMBER / DWG NO.:
2002

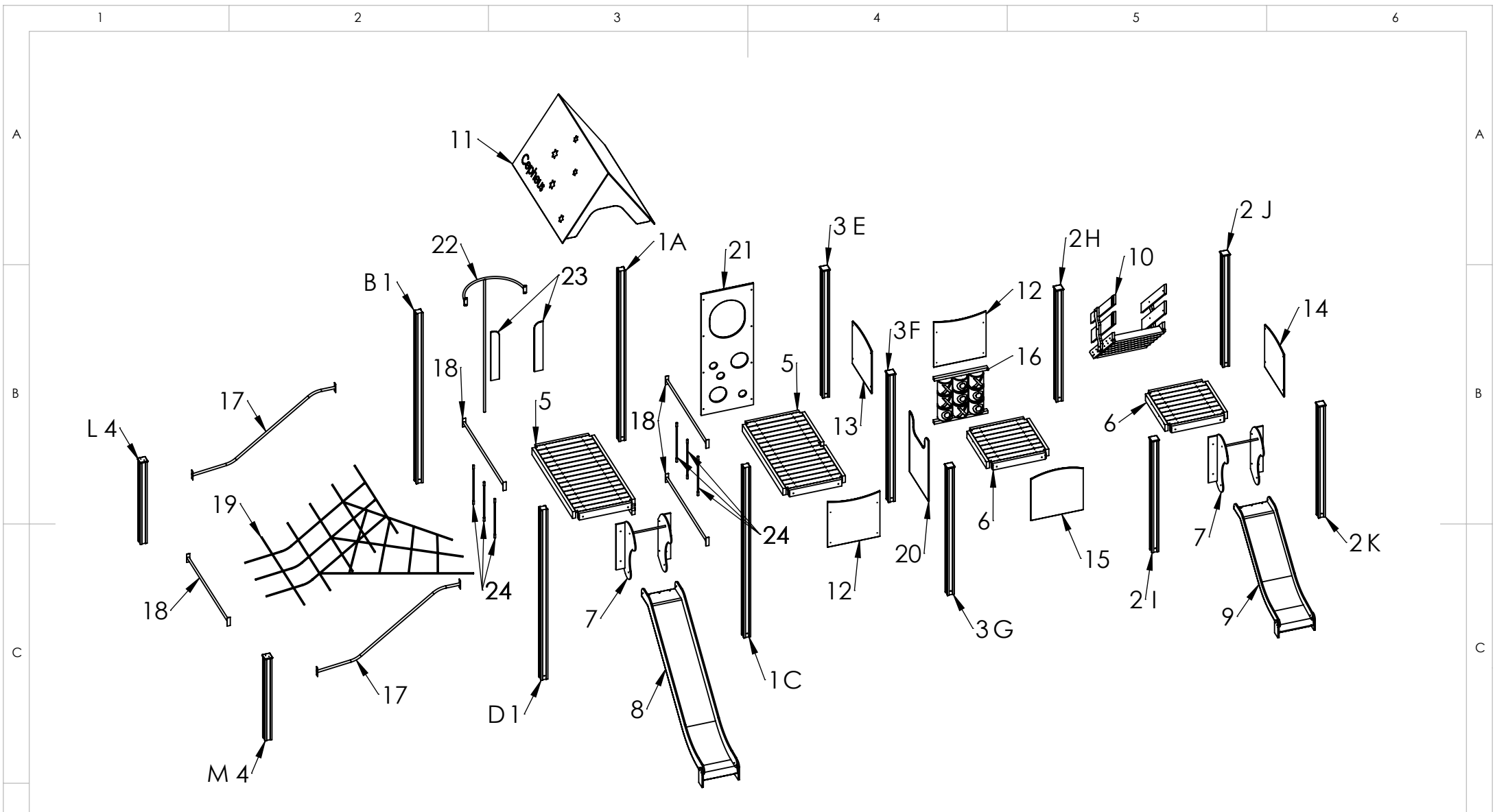
	NAME	SIGNATURE	DATE	REVISION
DRAWN	M.Rebase		23.07.2014	
APPV'D				


DESCRIPTION:
Play Centre CEPHEUS



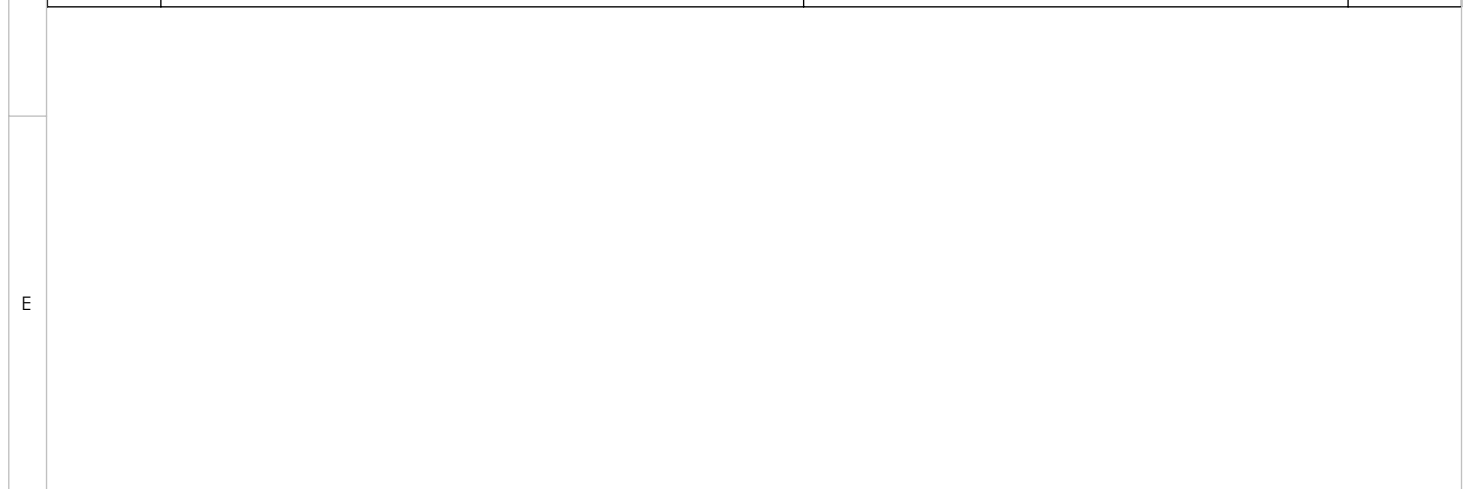
Tiptap OÜ
 Veetorni 9,
 Jüri alevik, Rae vald,
 75301 Harjumaa


MATERIAL:	wood, metal, plastic	A4
WEIGHT:		SCALE: 1:80
		SHEET 5 OF 18



UNLESS OTHERWISE SPECIFIED: DIMENSIONS ARE IN MILLIMETERS WEIGHT ARE IN KILOGRAMM					PART NUMBER / DWG NO.: Z002	
	NAME	SIGNATURE	DATE	REVISION	DESCRIPTION: Play Centre CEPHEUS	
DRAWN	M.Rebase		23.07.2014			
APPV'D						
 Tiptaptap OÜ Tiptaptap OÜ Veetorni 9, Jüri alevik, Rae vald, 75301 Harjumaa					MATERIAL:	wood, metal, plastic
					WEIGHT:	SCALE: 1:70

ITEM NO.	PART NUMBER	DESCRIPTION	QTY.
A 1	post 98x98x2800	laminated wood	4
2	post 98x98x1840	laminated wood	4
3	post 98x98x2100	laminated wood	3
4	post 98x98x1500	laminated wood	2
5	platform L-1746	laminated wood	2
6	platform	laminated wood	2
7	slide guard block	plywood, metal	2
B 8	slide h.1550	stainless steel, PE plastic	1
9	slide h.950	stainless steel, PE plastic	1
10	stairs h.900	laminated wood	1
11	roof	plywood	1
12	panel 750x750 cut in	plywood	2
13	panel 750x750	plywood	1
14	panel 750x750 with logo	plywood	1
15	panel 750x750 with shapes	plywood	1
C 16	OXO spinner	metal, PE plastic	1
17	beam for net	painted steel	2
18	beam 40x1620	painted steel	5
19	climbing net	PP covered steel wire	1
20	panel 750x700	plywood	1
21	climbing wall	plywood	1
22	climbing pole	painted galvanized steel	1
D 23	panel 125x800	plywood	2
24	rope L-640	PP covered steel wire	6



UNLESS OTHERWISE SPECIFIED: DIMENSIONS ARE IN MILLIMETERS WEIGHT ARE IN KILOGRAMM				PART NUMBER / DWG NO.: Z002	
	NAME	SIGNATURE	DATE	REVISION	DESCRIPTION: Play Centre CEPHEUS
DRAWN	M.Rebase		23.07.2014		
APPV'D					
 Tiptiptap OÜ Tiptiptap OÜ Veetorni 9, Jüri alevik, Rae vald, 75301 Harjumaa				MATERIAL: wood, metal, plastic	
				WEIGHT:	SCALE: 1:70
				SHEET 7 OF 18	

A

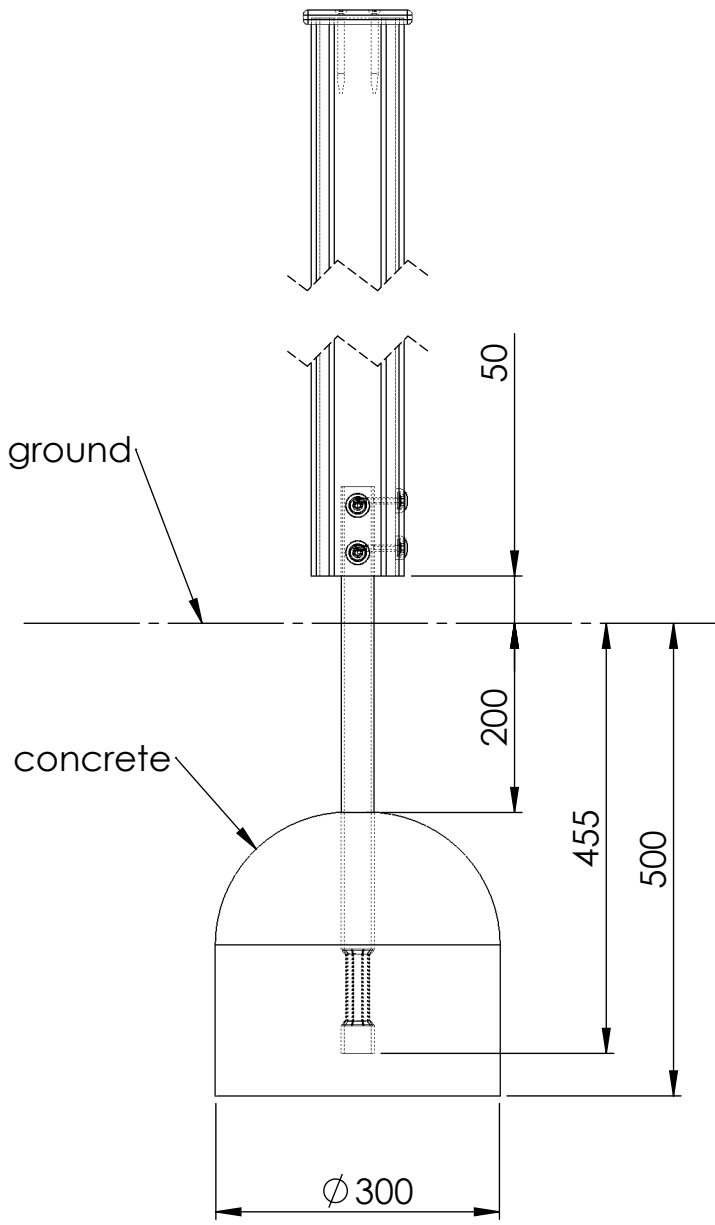
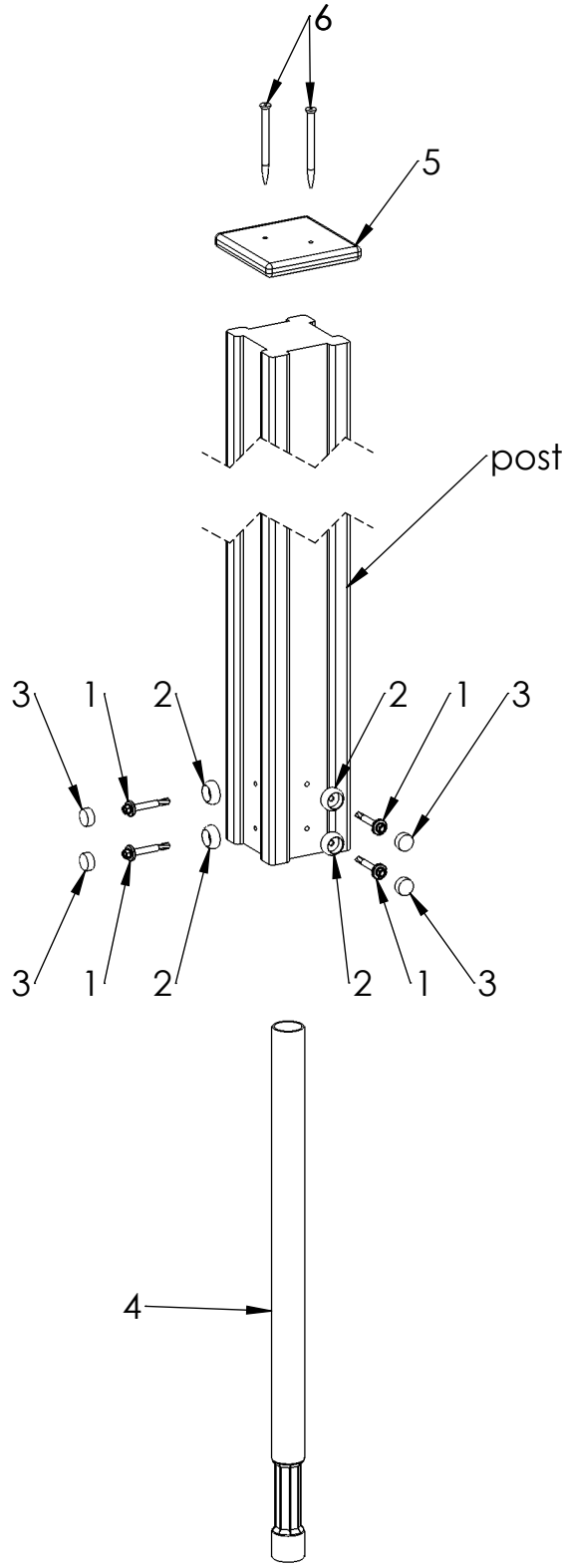
B

C

D

E

F



ITEM NO.	PART NUMBER
1	screw DIN7504K 5,5x50
2	nut cover M6
3	nut cover cap M6
4	metal ground fixing L_600
5	plastic cap 115x115
6	woodscrew 6 x 90

UNLESS OTHERWISE SPECIFIED:
 DIMENSIONS ARE IN MILLIMETERS
 WEIGHT ARE IN KILOGRAMM

PART NUMBER / DWG NO.:
Z002

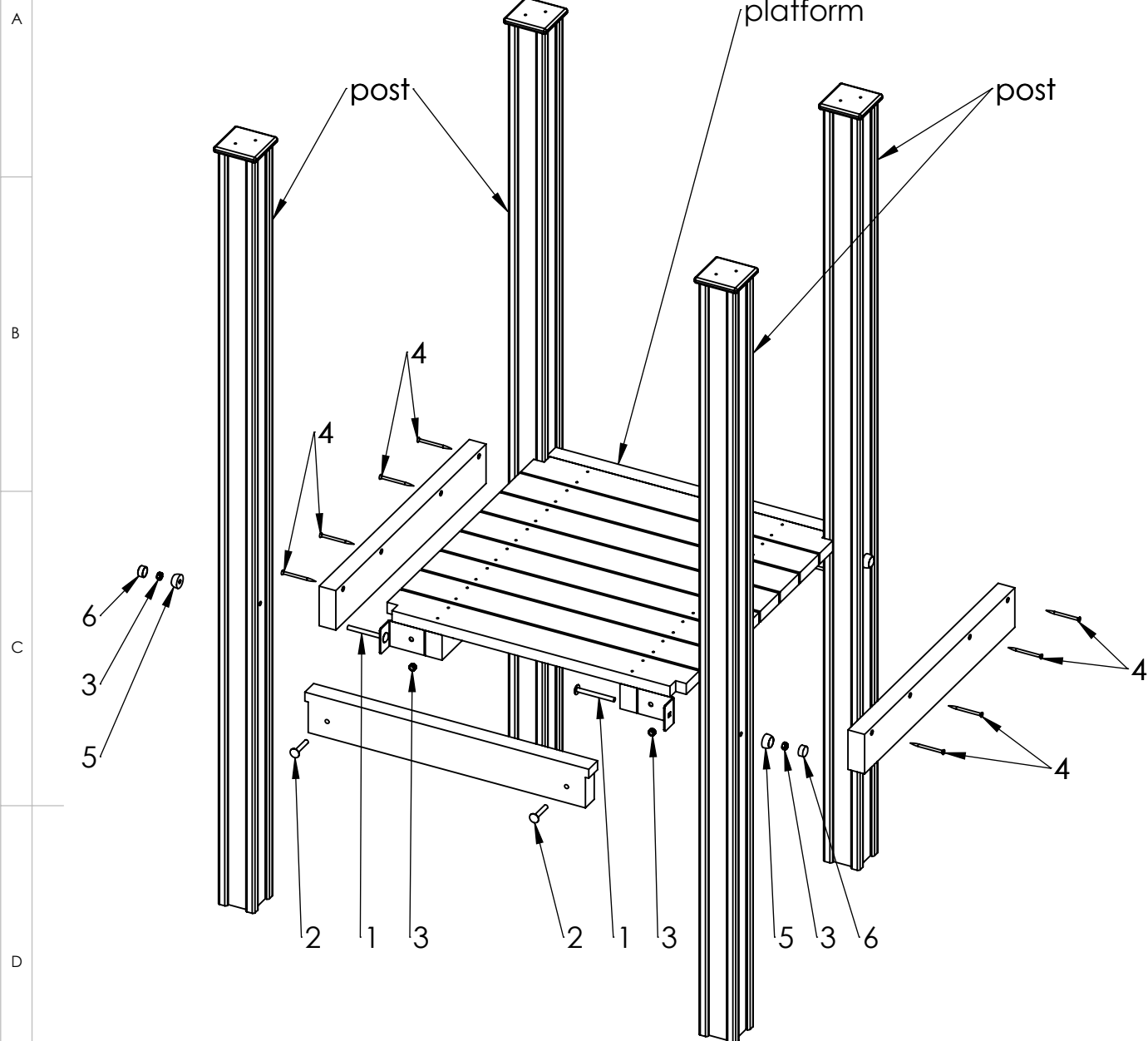
	NAME	SIGNATURE	DATE	REVISION
DRAWN	M.Rebase		23.07.2014	
APPV'D				

DESCRIPTION:
**Play Centre CEPHEUS
 connecting metal ground fixing to post**



Tiptiptap OÜ
 Veetorni 9,
 Jüri alevik, Rae vald,
 75301 Harjumaa

MATERIAL:	wood, metal, plastic	A4
WEIGHT:	SCALE: 1:8	SHEET 8 OF 18



E

ITEM NO.	PART NUMBER
1	bolt DIN603 M10x100
2	bolt DIN603 M10x60
3	nut DIN985 M10
4	woodscrew 6 x 90
5	nut cover M10
6	nut cover cap M10

F

UNLESS OTHERWISE SPECIFIED:
DIMENSIONS ARE IN MILLIMETERS
WEIGHT ARE IN KILOGRAMM

PART NUMBER / DWG NO.:

Z002

	NAME	SIGNATURE	DATE	REVISION
DRAWN	M.Rebase		23.07.2014	
APPV'D				

DESCRIPTION:

Play Centre CEPHEUS
connecting platform to post

MATERIAL:

wood, metal, plastic

A4

WEIGHT:

SCALE: 1:15

SHEET 9 OF 18



Tiptiptap OÜ

Tiptiptap OÜ
Veetorni 9,
Jüri alevik, Rae vald,
75301 Harjumaa

A

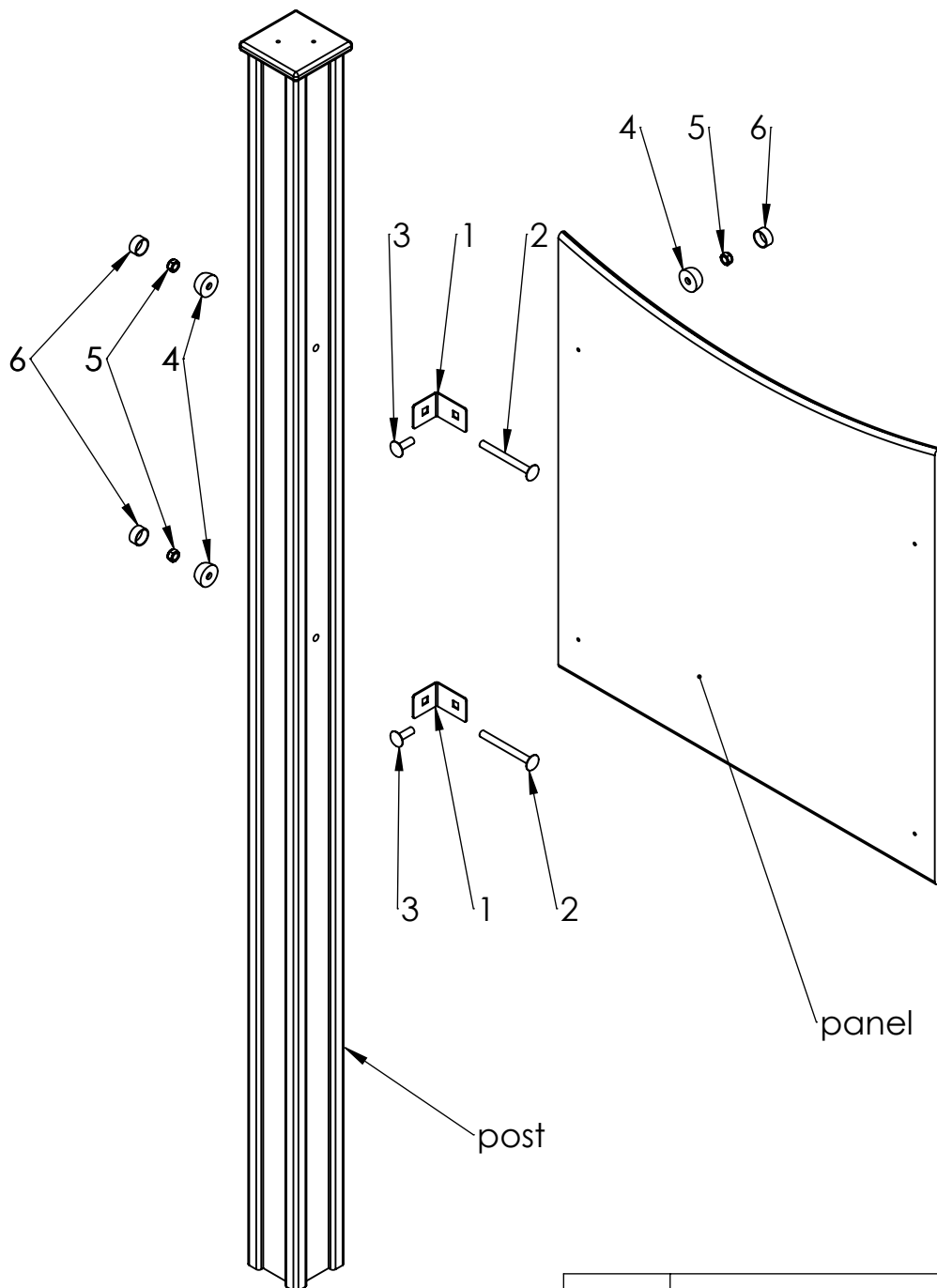
B

C

D

E

F



ITEM NO.	PART NUMBER
1	corner 48x60
2	bolt DIN603 M10x100
3	bolt DIN603 M10x30
4	nut cover M10
5	nut DIN985 M10
6	nut cover cap M10

UNLESS OTHERWISE SPECIFIED:
DIMENSIONS ARE IN MILLIMETERS
WEIGHT ARE IN KILOGRAMM

PART NUMBER / DWG NO.:

Z002

	NAME	SIGNATURE	DATE	REVISION
DRAWN	M.Rebase		23.07.2014	
APPV'D				

DESCRIPTION:

Play Centre CEPHEUS
connecting panel to post

MATERIAL:

wood, metal, plastic

A4

WEIGHT:

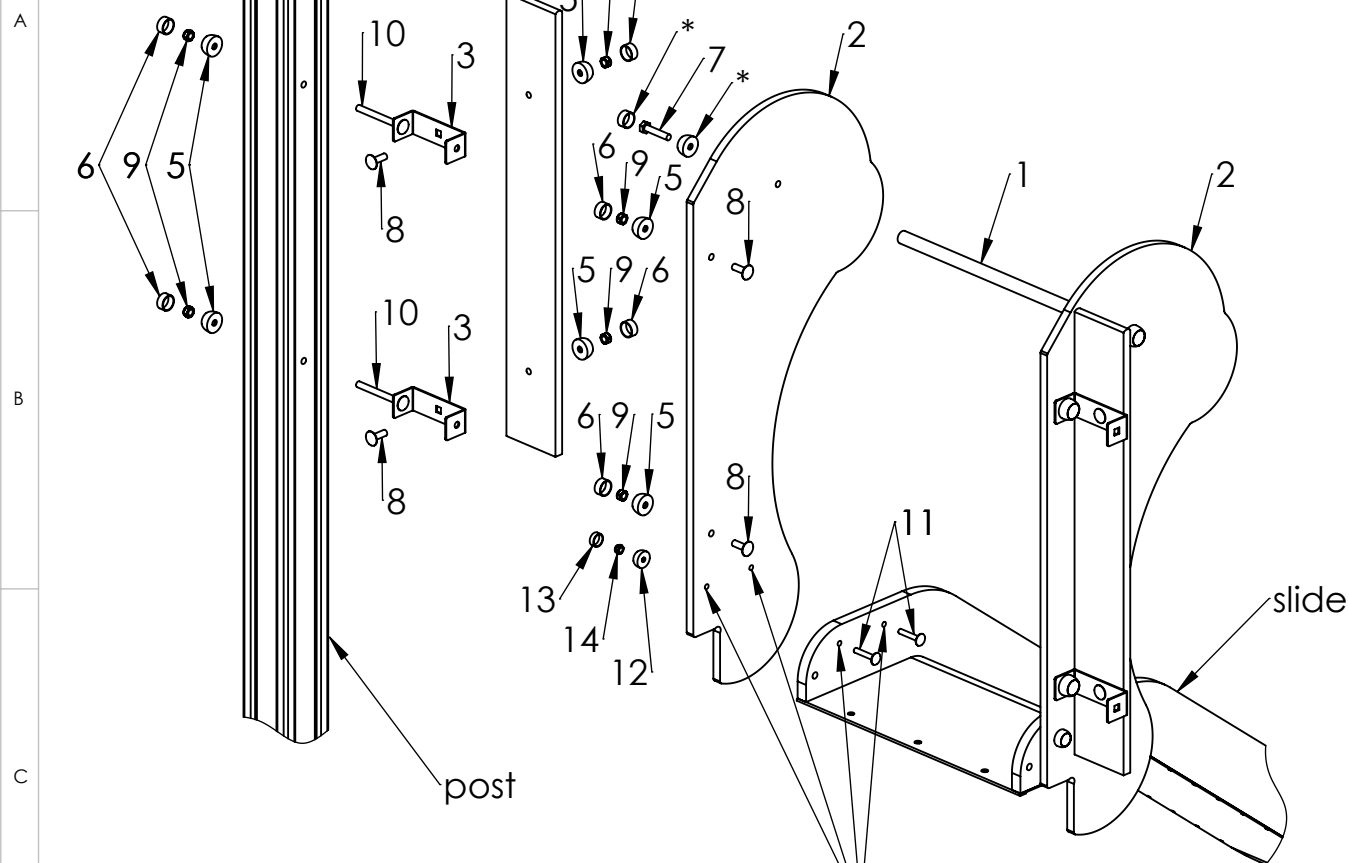
SCALE: 1:10

SHEET 10 OF 18



Tiptap OÜ

Tiptap OÜ
Veetorni 9,
Jüri alevik, Rae vald,
75301 Harjumaa



It is important to drill 8,5mm holes through side panel and slide.

ITEM NO.	PART NUMBER
1	slide guardrail
2	slide side panel
3	slide side panel fixing 40x120
4	side panel 110x780
5	nut cover M10
6	nut cover cap M10
7	bolt DIN931 M10x50
8	bolt DIN603 M10x30
9	nut DIN985 M10
10	bolt DIN603 M10x100
11	bolt DIN603 M8x45
12	nut cover M8
13	nut cover cap M8
14	nut DIN985 M8

UNLESS OTHERWISE SPECIFIED:
DIMENSIONS ARE IN MILLIMETERS
WEIGHT ARE IN KILOGRAMM

PART NUMBER / DWG NO.:

Z002

	NAME	SIGNATURE	DATE	REVISION
DRAWN	M.Rebase		23.07.2014	
APPV'D				

DESCRIPTION:

Play Centre CEPHEUS
connecting slide guard block to post

MATERIAL:

wood, metal, plastic

A4

WEIGHT:

SCALE: 1:12

SHEET 11 OF 18



Tiptap OÜ

Tiptap OÜ
Veetorni 9,
Jüri alevik, Rae vald,
75301 Harjumaa

A

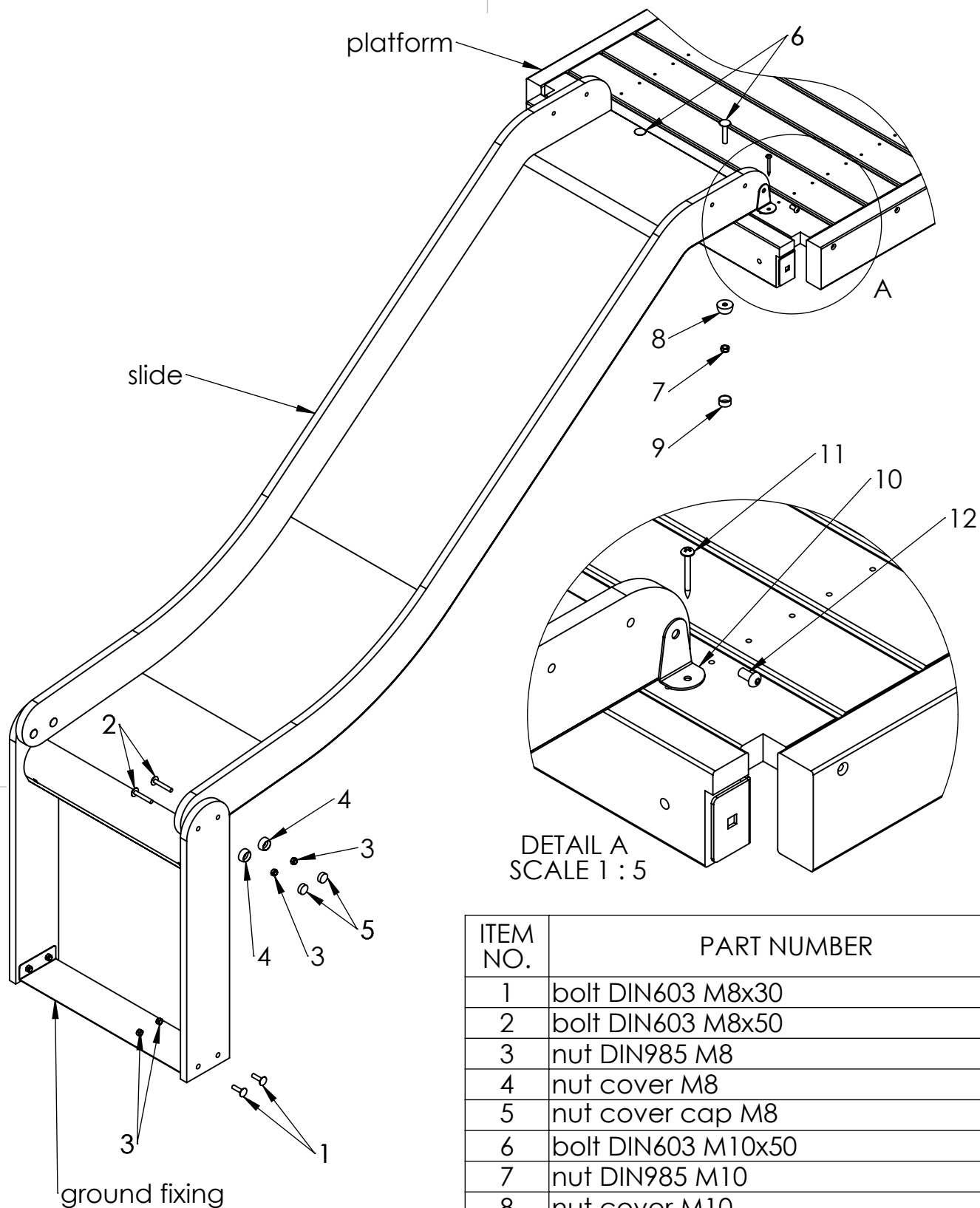
B

C

D

E

F



ITEM NO.	PART NUMBER
1	bolt DIN603 M8x30
2	bolt DIN603 M8x50
3	nut DIN985 M8
4	nut cover M8
5	nut cover cap M8
6	bolt DIN603 M10x50
7	nut DIN985 M10
8	nut cover M10
9	nut cover cap M10
10	corner 58x30
11	screw DIN 7996 d.6x50
12	metal screw DIN 7380 M8x16

UNLESS OTHERWISE SPECIFIED:
DIMENSIONS ARE IN MILLIMETERS
WEIGHT ARE IN KILOGRAMM

	NAME	SIGNATURE	DATE	REVISION
DRAWN	M.Rebase		23.07.2014	
APPV'D				

PART NUMBER / DWG NO.:

Z002

DESCRIPTION:

Play Centre CEPHEUS
connecting slide to platform

MATERIAL:

wood, metal, plastic

A4

WEIGHT:

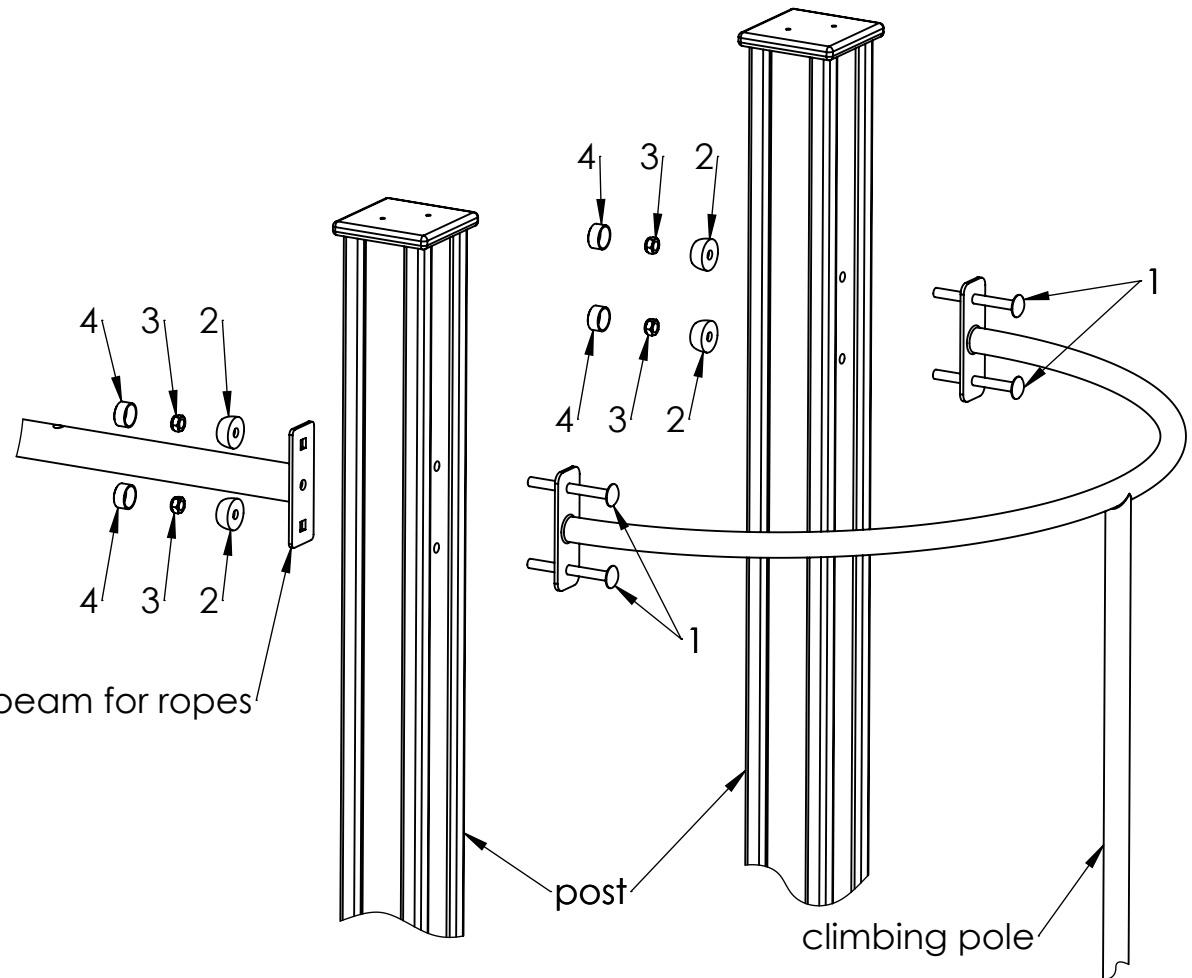
SCALE: 1:12

SHEET 12 OF 18



Tiptap OÜ

Tiptap OÜ
Veetorni 9,
Jüri alevik, Rae vald,
75301 Harjumaa



ITEM NO.	PART NUMBER
1	bolt DIN603 M10x100
2	nut cover M10
3	nut DIN985 M10
4	nut cover cap M10

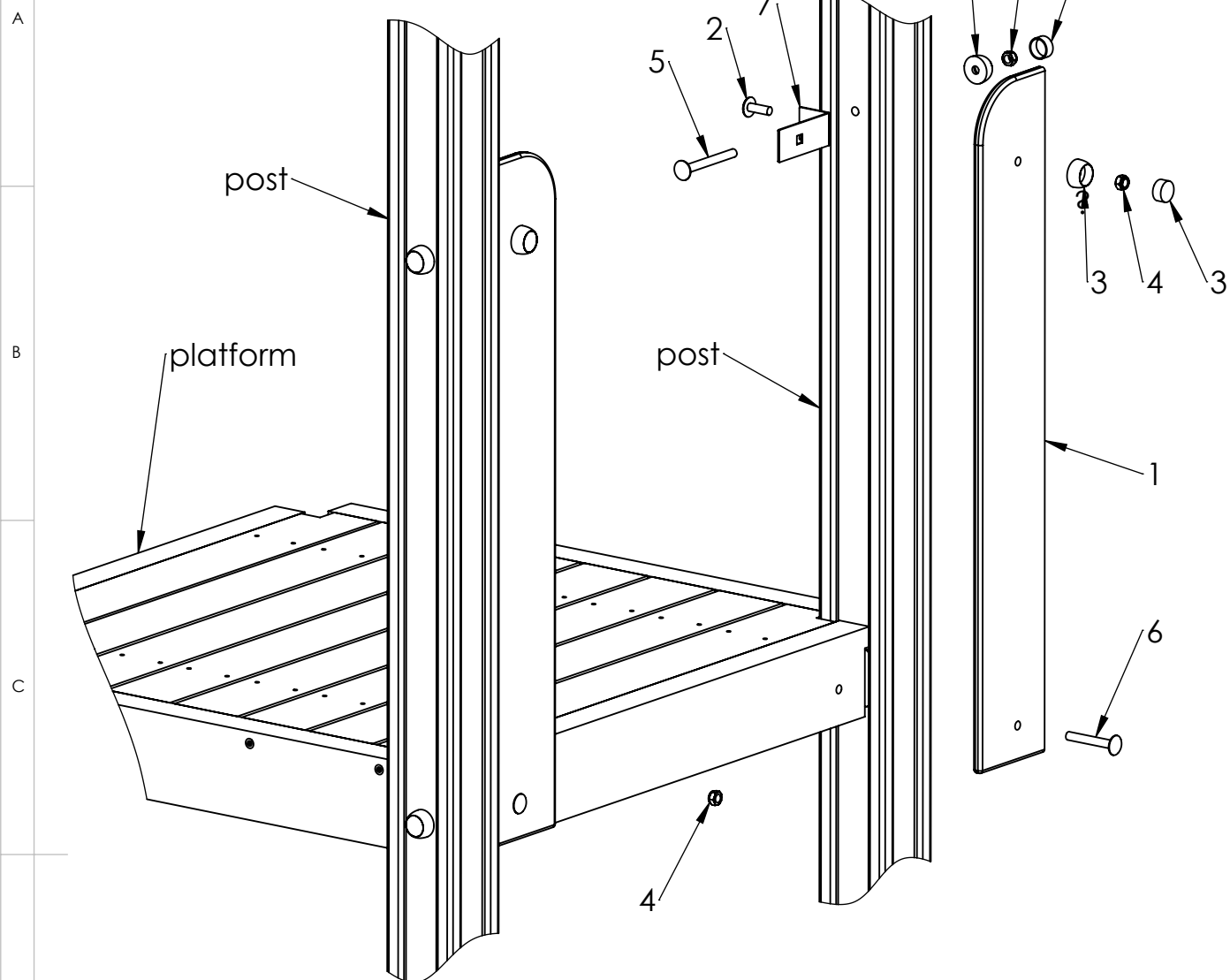
UNLESS OTHERWISE SPECIFIED: DIMENSIONS ARE IN MILLIMETERS WEIGHT ARE IN KILOGRAMM				
	NAME	SIGNATURE	DATE	REVISION
DRAWN	M.Rebase		23.07.2014	
APPV'D				

PART NUMBER / DWG NO.:	Z002
DESCRIPTION:	Play Centre CEPHEUS connecting climbing pole and beam to post



Tiptap OÜ
Veetorni 9,
Jüri alevik, Rae vald,
75301 Harjumaa

MATERIAL:	wood, metal, plastic	A4
WEIGHT:	SCALE: 1:8	SHEET 13 OF 18



ITEM NO.	PART NUMBER
1	panel 850x126
2	bolt DIN603 M10x30
3	nut cover with cap
4	nut DIN985 M10
5	bolt DIN603 M10x100
6	bolt DIN603 M10x70
7	slide side panel fixing 40x100

UNLESS OTHERWISE SPECIFIED:
DIMENSIONS ARE IN MILLIMETERS
WEIGHT ARE IN KILOGRAMM

PART NUMBER / DWG NO.:

Z002

	NAME	SIGNATURE	DATE	REVISION
DRAWN	M.Rebase		23.07.2014	
APPV'D				

DESCRIPTION:

Play Centre CEPHEUS
connecting climbing pole side panels

MATERIAL:

wood, metal, plastic

A4

WEIGHT:

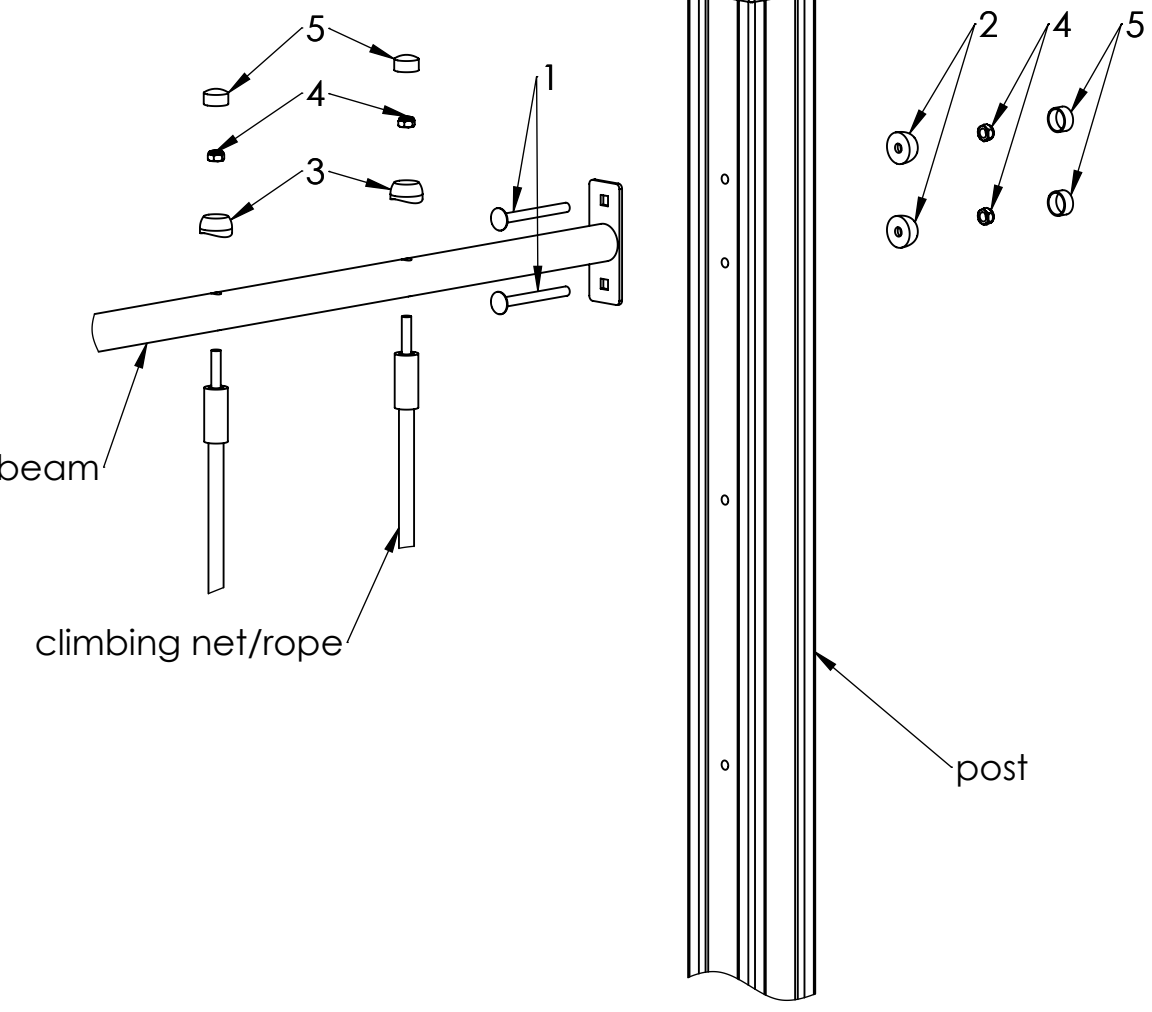
SCALE: 1:8

SHEET 14 OF 18



Tiptiptap OÜ

Tiptiptap OÜ
Veetorni 9,
Jüri alevik, Rae vald,
75301 Harjumaa



ITEM NO.	PART NUMBER
1	bolt DIN603 M10x100
2	nut cover M10
3	nut cover for beam M10
4	nut DIN985 M10
5	nut cover cap M10

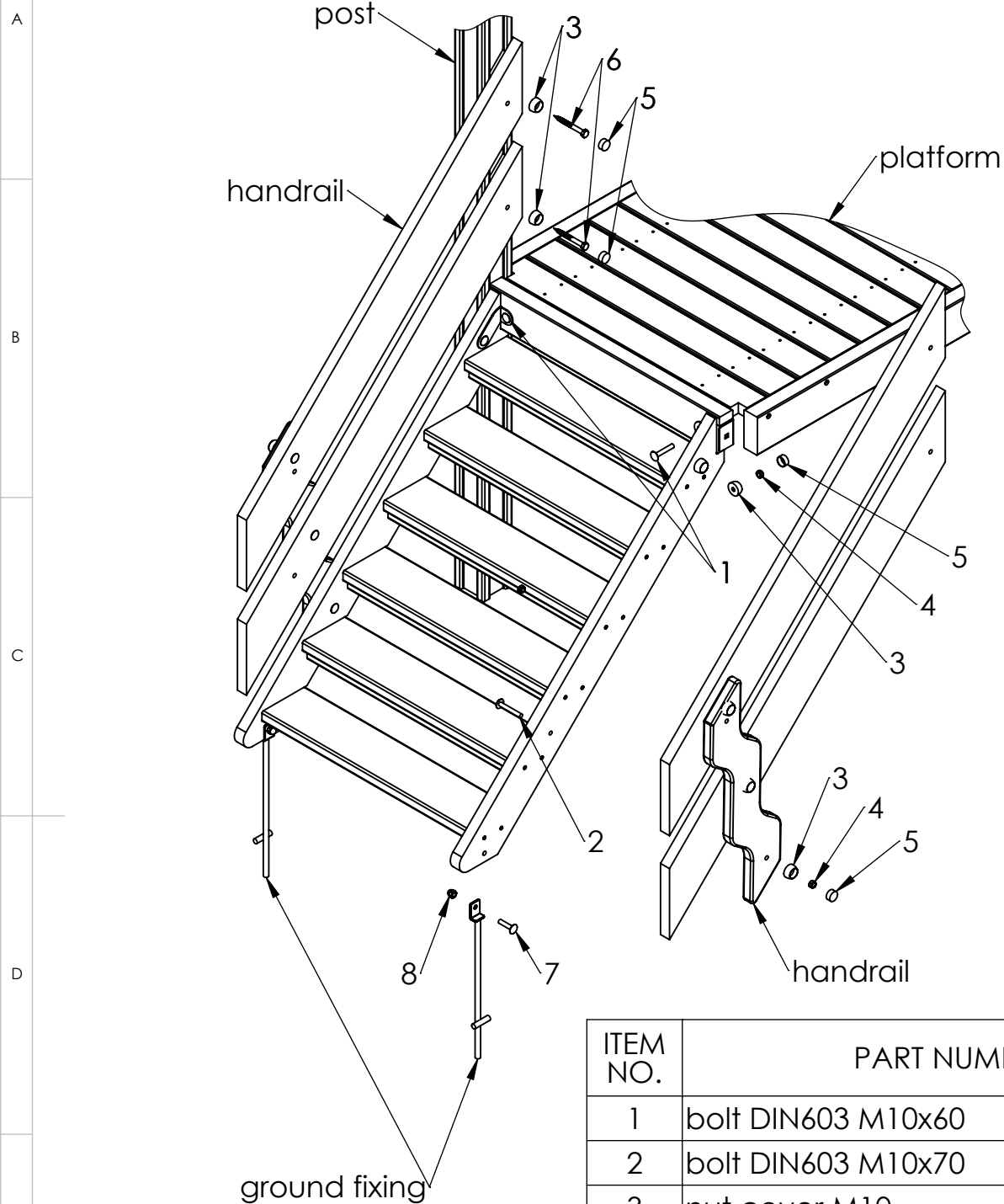
UNLESS OTHERWISE SPECIFIED: DIMENSIONS ARE IN MILLIMETERS WEIGHT ARE IN KILOGRAMM				
	NAME	SIGNATURE	DATE	REVISION
DRAWN	M.Rebase		23.07.2014	
APPV'D				

PART NUMBER / DWG NO.:	Z002
DESCRIPTION:	Play Centre CEPHEUS connecting beam and climbing net/rope to post



Tiptap OÜ
Veetorni 9,
Jüri alevik, Rae vald,
75301 Harjumaa

MATERIAL:	wood, metal, plastic	A4
WEIGHT:	SCALE: 1:8	SHEET 15 OF 18



ITEM NO.	PART NUMBER
1	bolt DIN603 M10x60
2	bolt DIN603 M10x70
3	nut cover M10
4	nut DIN985 M10
5	nut cover cap M10
6	wood screw DIN571 10x100
7	bolt DIN603 M10x45
8	domed cap nut DIN1587 M10

UNLESS OTHERWISE SPECIFIED:
DIMENSIONS ARE IN MILLIMETERS
WEIGHT ARE IN KILOGRAMM

PART NUMBER / DWG NO.:

Z002

	NAME	SIGNATURE	DATE	REVISION
DRAWN	M.Rebase		23.07.2014	
APPV'D				

DESCRIPTION:

Play Centre CEPHEUS
connecting stairs to platform

MATERIAL:

wood, metal, plastic

A4

WEIGHT:

SCALE: 1:15

SHEET 16 OF 18



Tiptiptap OÜ

Tiptiptap OÜ
Veetorni 9,
Jüri alevik, Rae vald,
75301 Harjumaa

A

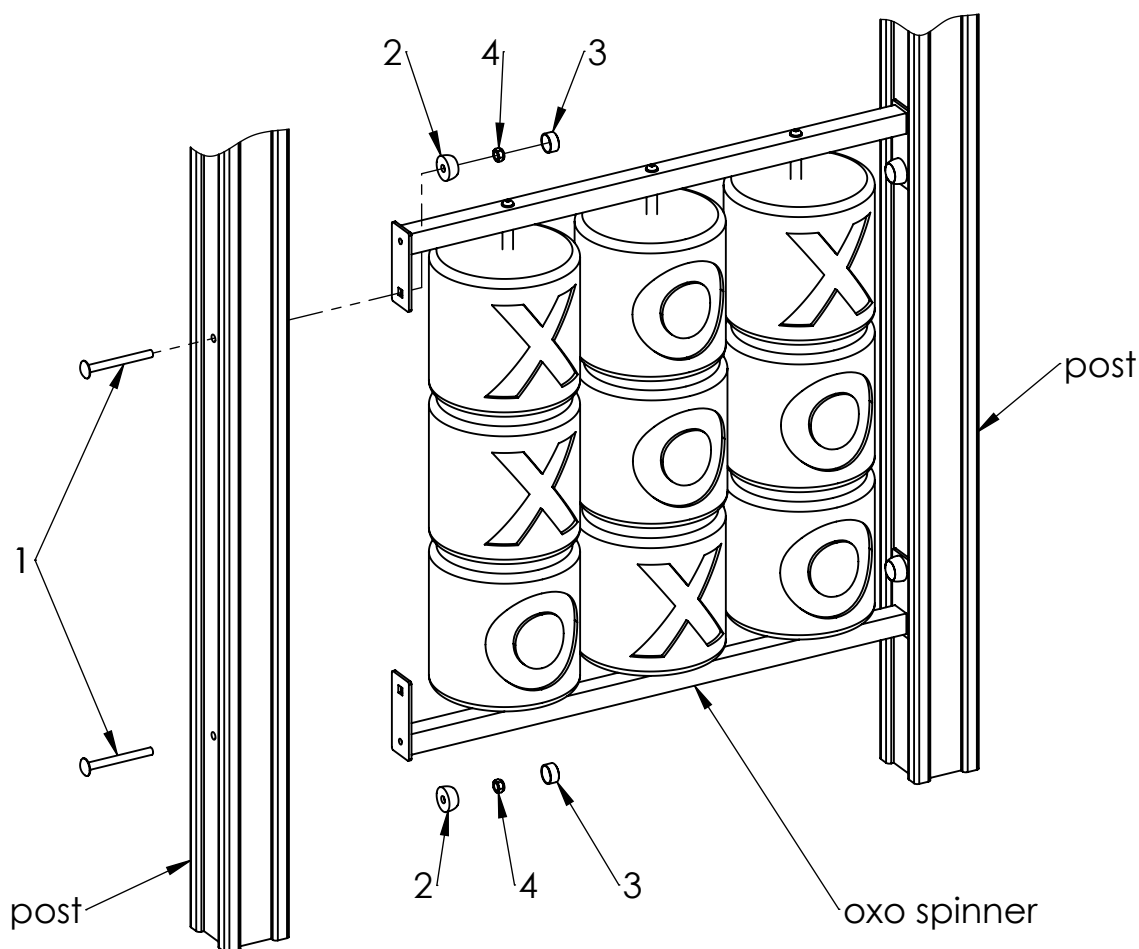
B

C

D

E

F



ITEM NO.	PART NUMBER
1	bolt DIN603 M10x100
2	nut cover M10
3	nut cover cap M10
4	nut DIN985 M10

UNLESS OTHERWISE SPECIFIED:
DIMENSIONS ARE IN MILLIMETERS
WEIGHT ARE IN KILOGRAMM

PART NUMBER / DWG NO.:

Z002

	NAME	SIGNATURE	DATE	REVISION
DRAWN	M.Rebase		23.07.2014	
APPV'D				

DESCRIPTION:

Play Centre CEPHEUS
connecting oxo spinner to post

MATERIAL:

wood, metal, plastic

A4

WEIGHT:

SCALE: 1:10

SHEET 17 OF 18



Tiptaptap OÜ

Tiptaptap OÜ
Veetorni 9,
Jüri alevik, Rae vald,
75301 Harjumaa

A

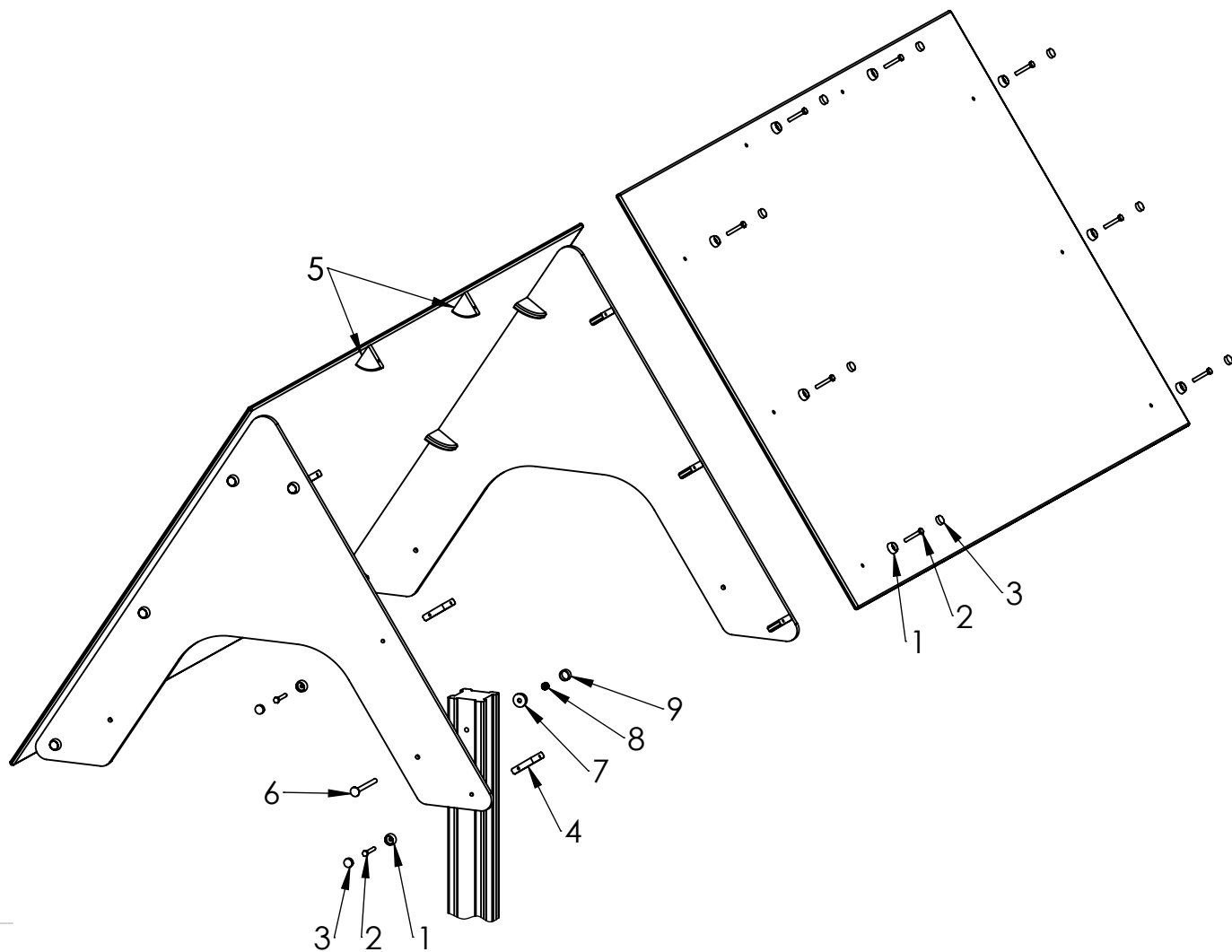
B

C

D

E

F



ITEM NO.	PART NUMBER
1	nut cover M8
2	bolt DIN933 M8x50
3	nut cover cap M8
4	plastic corner
5	plastic corner 67°
6	bolt DIN603 M10x120
7	nut cover M10
8	nut DIN985 M10
9	nut cover cap M10

UNLESS OTHERWISE SPECIFIED:
DIMENSIONS ARE IN MILLIMETERS
WEIGHT ARE IN KILOGRAMM

PART NUMBER / DWG NO.:

Z002

	NAME	SIGNATURE	DATE	REVISION
DRAWN	M.Rebase		23.07.2014	
APPV'D				

DESCRIPTION:

Play Centre CEPHEUS
connecting roof to post

MATERIAL:

wood, metal, plastic

A4

WEIGHT:

SCALE: 1:17

SHEET 18 OF 18



Tiptap OÜ

Tiptap OÜ
Veetorni 9,
Jüri alevik, Rae vald,
75301 Harjumaa