

A

B

C

D

E

F



UNLESS OTHERWISE SPECIFIED:
DIMENSIONS ARE IN MILLIMETERS
WEIGHT ARE IN KILOGRAMM

PART NUMBER / DWG NO.:

Z001 MF

	NAME	SIGNATURE	DATE	REVISION
DRAWN	R.Fedotov		30.06.2015	
APPV'D				

DESCRIPTION:

Play Centre URSA MAJOR



Tiptaptap OÜ

Tiptaptap OÜ
Veetorni 9,
Jüri alevik, Rae vald,
75301 Harjumaa

MATERIAL:

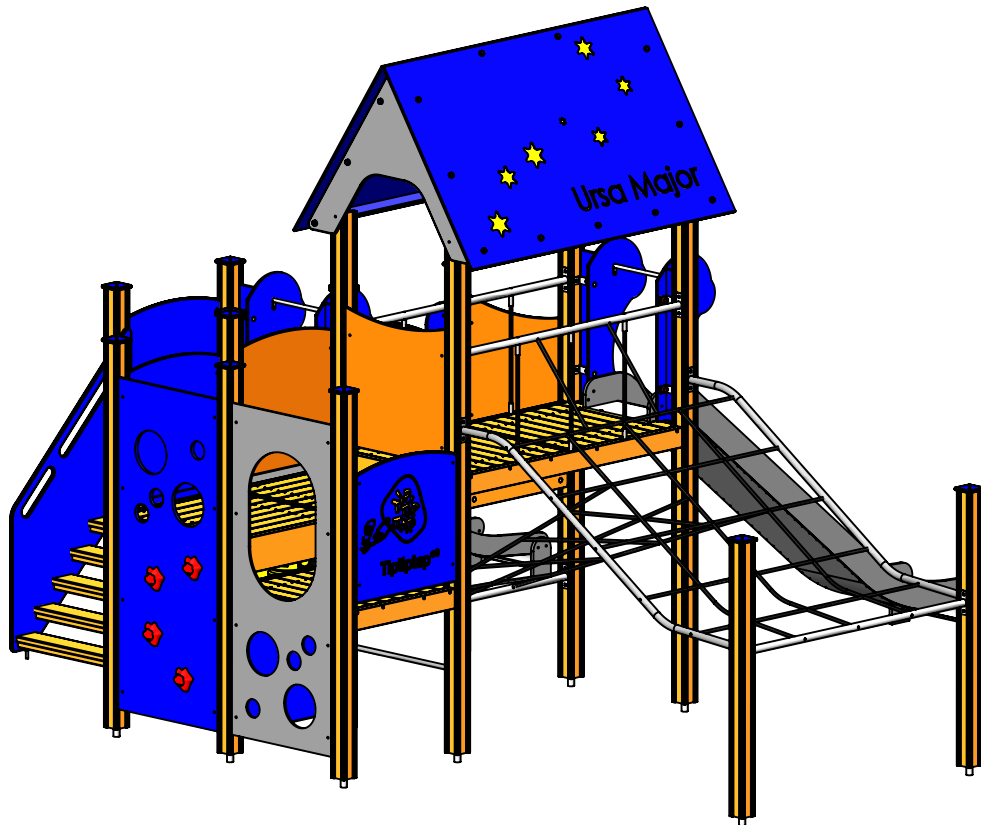
wood, metal, plastic

A4

WEIGHT:

SCALE: 1:35

SHEET 1 OF 25



UNLESS OTHERWISE SPECIFIED:
DIMENSIONS ARE IN MILLIMETERS
WEIGHT ARE IN KILOGRAMM

PART NUMBER / DWG NO.:

Z001 MF

	NAME	SIGNATURE	DATE	REVISION
DRAWN	R.Fedotov		30.06.2015	
APPV'D				

DESCRIPTION:

Play Centre URSA MAJOR



Tiptaptap OÜ

Tiptaptap OÜ
Veetorni 9,
Jüri alevik, Rae vald,
75301 Harjumaa

MATERIAL:

wood, metal, plastic

A4

WEIGHT:

SCALE: 1:40

SHEET 2 OF 25

Safety area

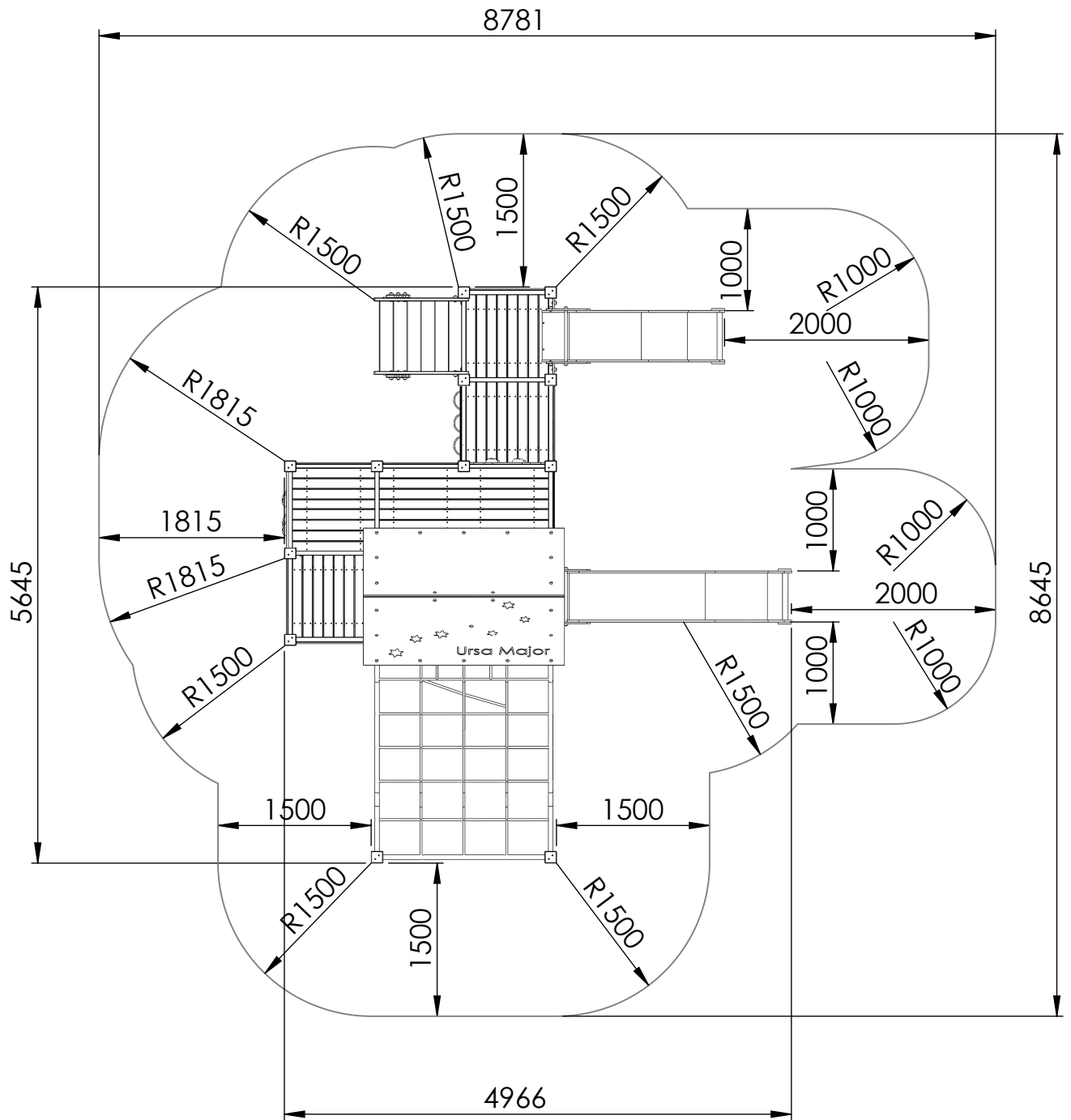
A

B

C

D

E



UNLESS OTHERWISE SPECIFIED:
DIMENSIONS ARE IN MILLIMETERS
WEIGHT ARE IN KILOGRAMM

PART NUMBER / DWG NO.:

Z001 MF

	NAME	SIGNATURE	DATE	REVISION
DRAWN	R.Fedotov		30.06.2015	
APPV'D				

DESCRIPTION:

Play Centre URSA MAJOR



Tiptaptap OÜ

Tiptaptap OÜ
Veetorni 9,
Jüri alevik, Rae vald,
75301 Harjumaa

MATERIAL:

wood, metal, plastic

A4

WEIGHT:

SCALE: 1:60

SHEET 3 OF 25

Foundation

A

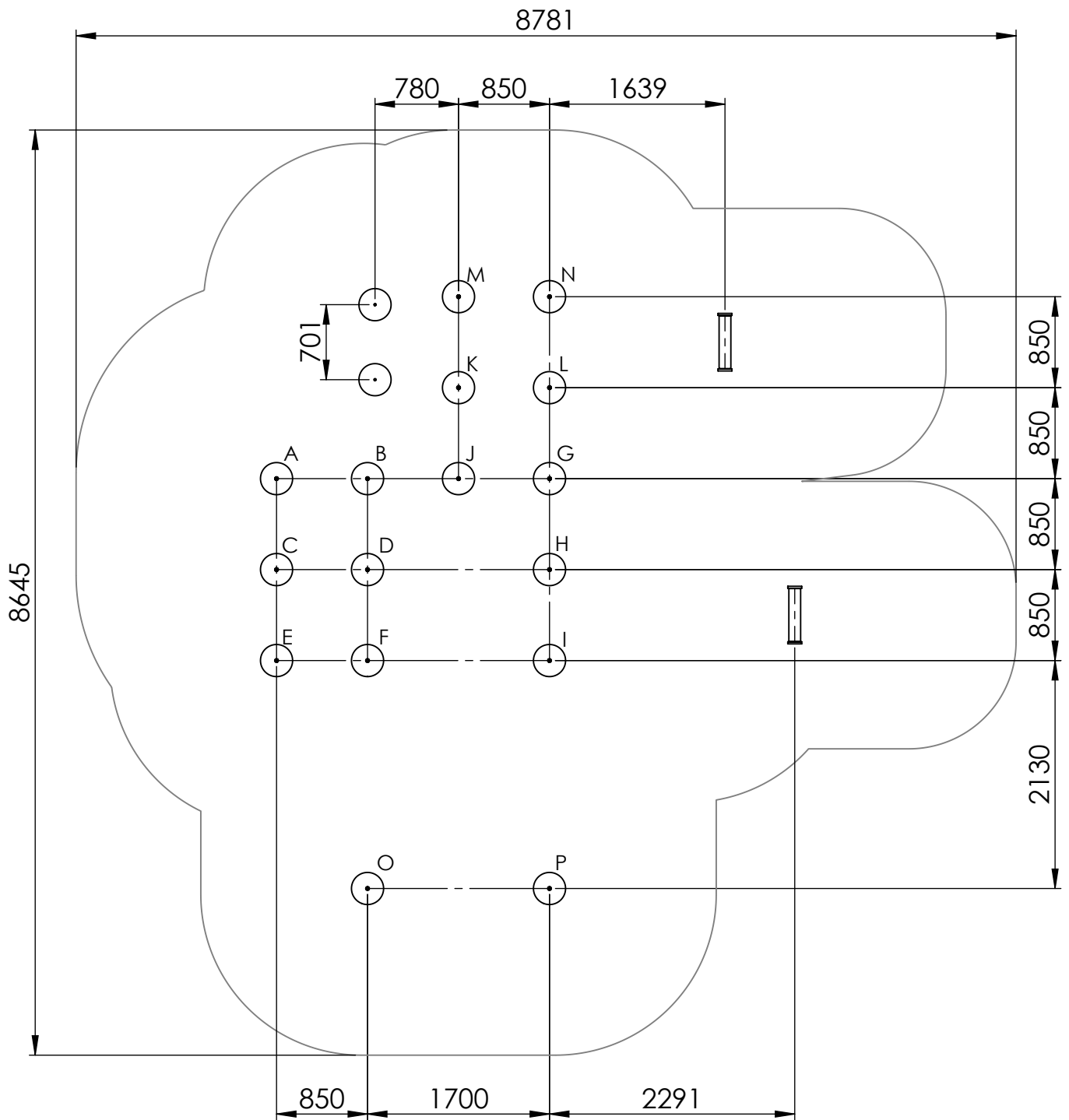
B

C

D

E

F



UNLESS OTHERWISE SPECIFIED:
DIMENSIONS ARE IN MILLIMETERS
WEIGHT ARE IN KILOGRAMM

PART NUMBER / DWG NO.:

Z001 MF

	NAME	SIGNATURE	DATE	REVISION
DRAWN	R.Fedotov		30.06.2015	
APPV'D				

DESCRIPTION:

Play Centre URSA MAJOR



Tiptap OÜ

Tiptap OÜ
Veetorni 9,
Jüri alevik, Rae vald,
75301 Harjumaa

MATERIAL:

wood, metal, plastic

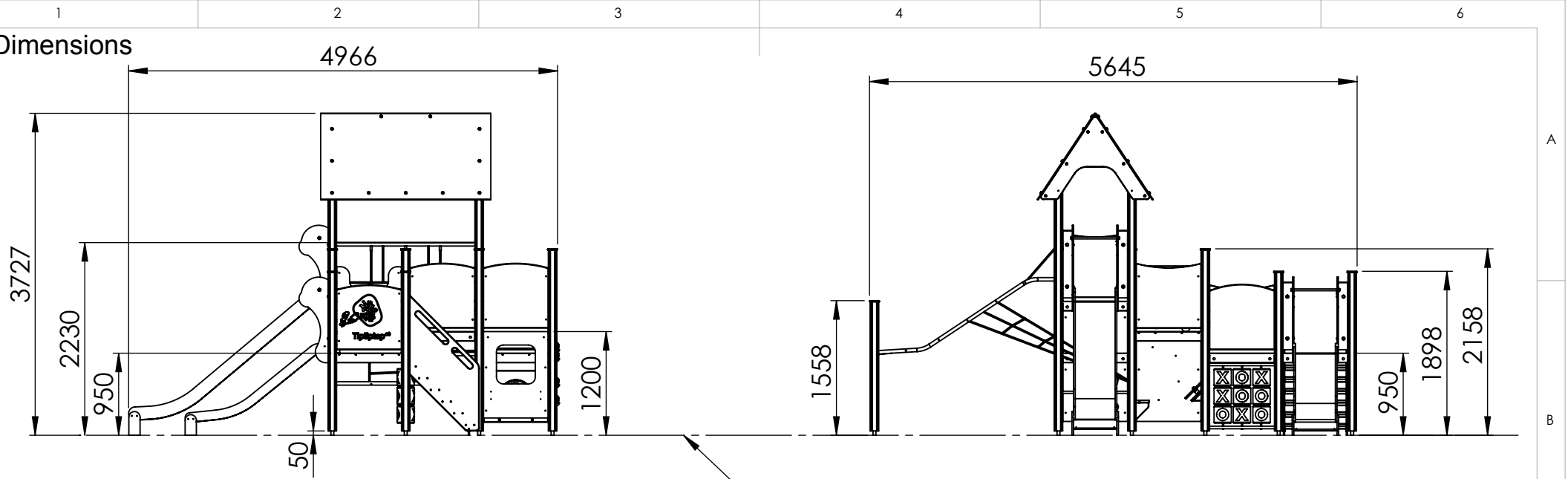
A4

WEIGHT:

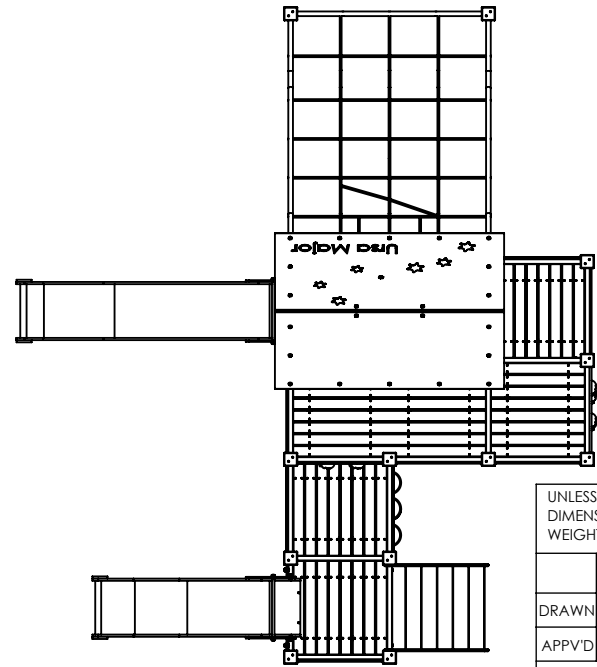
SCALE: 1:55

SHEET 4 OF 25

Dimensions



Ground



UNLESS OTHERWISE SPECIFIED:
DIMENSIONS ARE IN MILLIMETERS
WEIGHT ARE IN KILOGRAMM

	NAME	SIGNATURE	DATE	REVISION
DRAWN	R.Fedotov		30.06.2015	
APPV'D				

PART NUMBER / DWG NO.:
Z001 MF

DESCRIPTION:
Play Centre URSA MAJOR

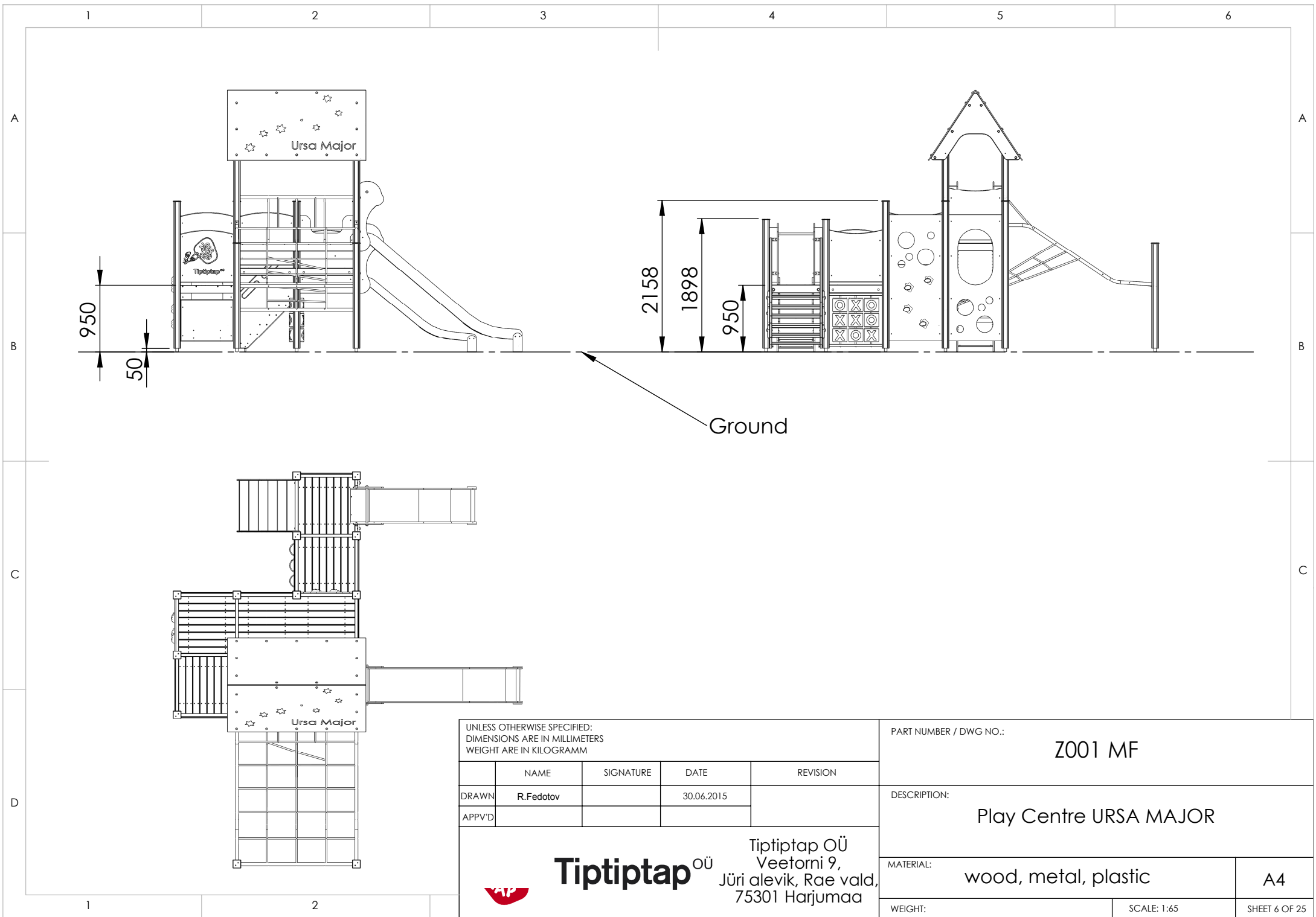


Tiptap OÜ
Veetorni 9,
Jüri alevik, Rae vald,
75301 Harjumaa

MATERIAL:
wood, metal, plastic

A4

WEIGHT: SCALE: 1:65 SHEET 5 OF 25



UNLESS OTHERWISE SPECIFIED:
 DIMENSIONS ARE IN MILLIMETERS
 WEIGHT ARE IN KILOGRAMM

	NAME	SIGNATURE	DATE	REVISION
DRAWN	R.Fedotov		30.06.2015	
APPV'D				

PART NUMBER / DWG NO.: **Z001 MF**

DESCRIPTION:
Play Centre URSA MAJOR


Tiptaptap OÜ
 Veetorni 9,
 Jüri alevik, Rae vald,
 75301 Harjumaa

MATERIAL:	wood, metal, plastic	A4
WEIGHT:	SCALE: 1:65	SHEET 6 OF 25

	1	2	3	4
	ITEM NO.	PART NUMBER	DESCRIPTION	exploded/QTY.
A	1	post 98x98x1500	laminated wood	2
	2	post 98x98x1840	laminated wood	4
	3	post 98x98x2100	laminated wood	6
	4	post 98x98x2800	laminated wood	4
	5	big platform 1	laminated wood, metal	1
	6	big platform 2	laminated wood, metal	1
B	7	Platform	laminated wood, metal	4
	8	slide guard block	plywood, metal, plastic	2
	9	slide h_1550	stainless steel, PE plastic	1
	10	slide h_950	stainless steel, PE plastic	1
	11	MF stairs	PE plastic, laminated wood	1
	12	roof	plywood, PE plastic	1
C	13	panel 750x750 cut in	plywood/PE plastic	3
	14	Z001 panel 750x750	plywood/PE plastic	2
	15	panel 750x750 with logo	plywood/PE plastic	2
	16	climbing wall	plywood/PE plastic	1
	17	playcorner-driver	plywood/PE plastic	1
	18	panel with seat	plywood/PE plastic	1
D	19	climbing wall 750x1800 with grips	plywood/PE plastic	1
	20	panel 750x700 with climbing grips	plywood/PE plastic	1
	21	panel 750x750 with shapes	plywood/PE plastic	1
	22	OXO spinner	PE plastic	1
	23	beam 40x2050	painted steel	2
	24	beam B 40x1620	painted steel	1
E	25	beam C 40x1620	painted steel	1
	26	beam A 40x1620	painted steel	1
	27	beam D 40x1620	painted steel	1
	28	beam 25x770	painted steel	1
	29	climbing net	PP covered steel wire	1
	30	rope L-640	PP covered steel wire	2

UNLESS OTHERWISE SPECIFIED:
DIMENSIONS ARE IN MILLIMETERS
WEIGHT ARE IN KILOGRAMM

PART NUMBER / DWG NO.:

Z001 MF

	NAME	SIGNATURE	DATE	REVISION
DRAWN	R.Fedotov		30.06.2015	
APPV'D				

DESCRIPTION:

Play Centre URSA MAJOR



Tiptaptap OÜ

Tiptaptap OÜ
Veetorni 9,
Jüri alevik, Rae vald,
75301 Harjumaa

MATERIAL:

wood, metal, plastic

A4

WEIGHT:

SCALE: 1:71

SHEET 8 OF 25

Step 1

A

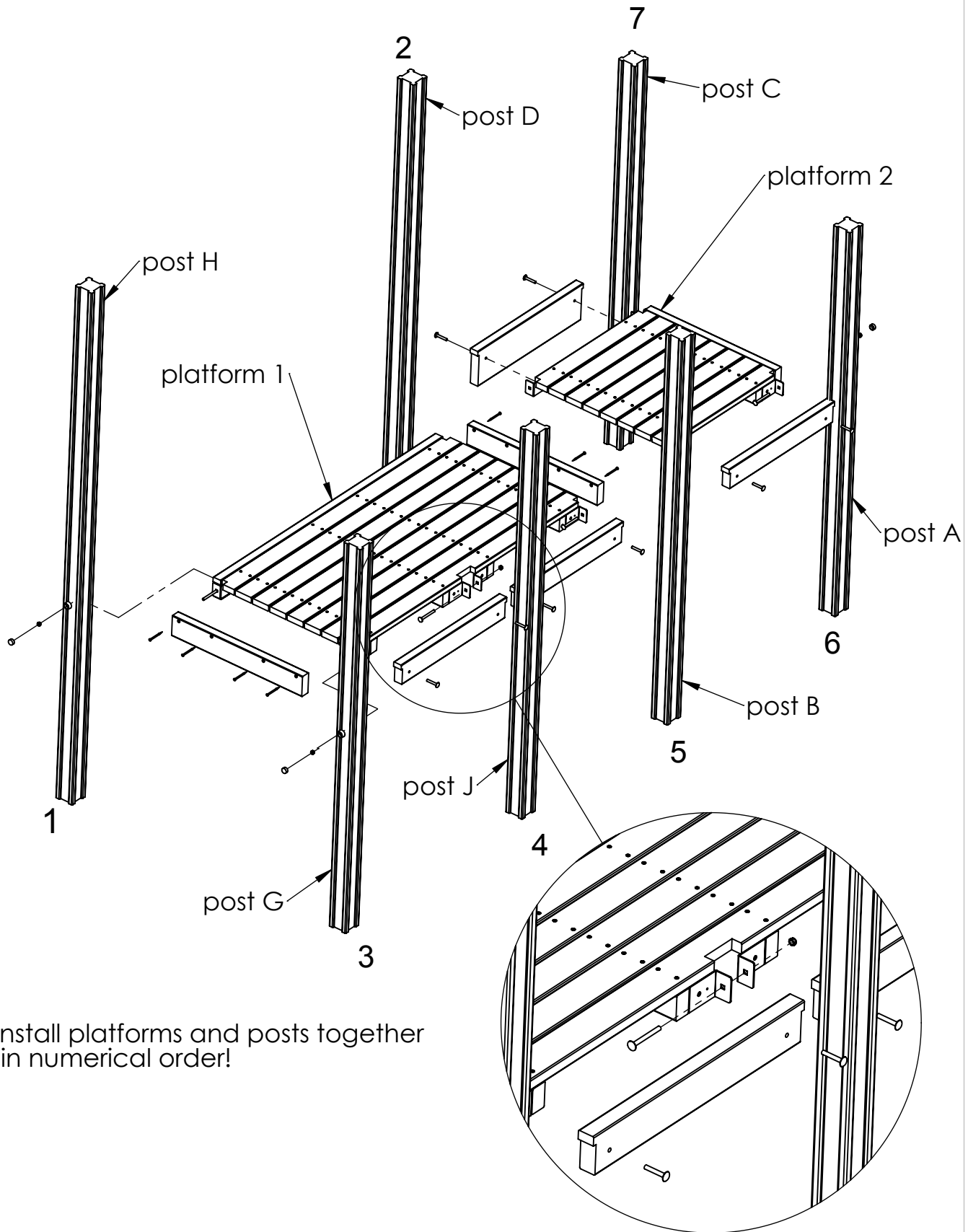
B

C

D

E

F



Install platforms and posts together in numerical order!

UNLESS OTHERWISE SPECIFIED:
DIMENSIONS ARE IN MILLIMETERS
WEIGHT ARE IN KILOGRAMM

PART NUMBER / DWG NO.:

Z001 MF

	NAME	SIGNATURE	DATE	REVISION
DRAWN	R.Fedotov		30.06.2015	
APPV'D				

DESCRIPTION:

Play Centre URSA MAJOR



Tiptaptap OÜ

Tiptaptap OÜ
Veetorni 9,
Jüri alevik, Rae vald,
75301 Harjumaa

MATERIAL:

wood, metal, plastic

A4

WEIGHT:

SCALE: 1:25

SHEET 9 OF 25

Step 2

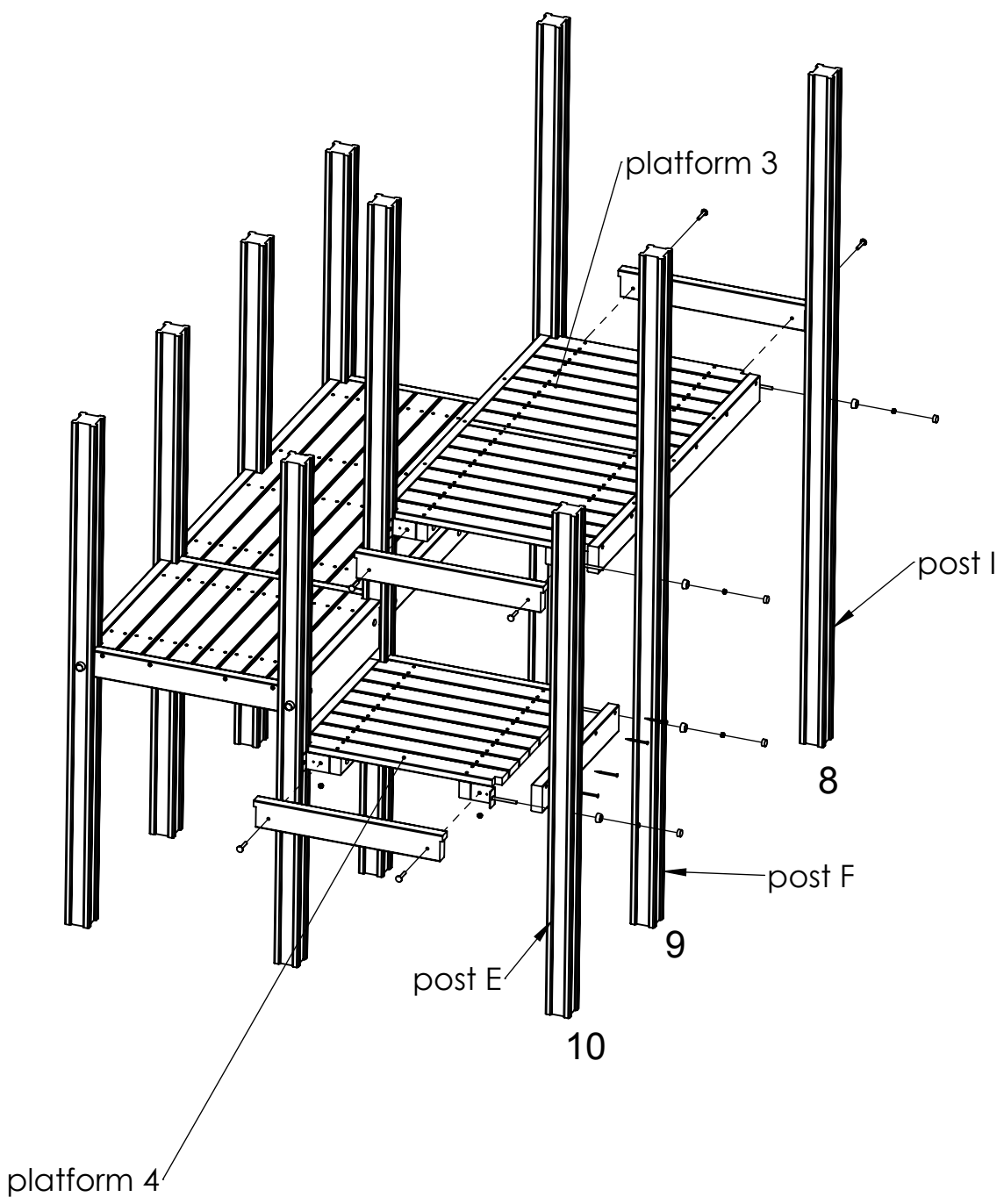
A

B

C

D

E



Install platforms and posts together in numerical order!

UNLESS OTHERWISE SPECIFIED: DIMENSIONS ARE IN MILLIMETERS WEIGHT ARE IN KILOGRAMM				
	NAME	SIGNATURE	DATE	REVISION
DRAWN	R.Fedotov		30.06.2015	
APPV'D				

PART NUMBER / DWG NO.:
Z001 MF

DESCRIPTION:
Play Centre URSA MAJOR

 **Tiptaptap** OÜ
Veetorni 9,
Jüri alevik, Rae vald,
75301 Harjumaa

MATERIAL:	wood, metal, plastic	A4
WEIGHT:		
	SCALE: 1:25	SHEET 10 OF 25

Step 3

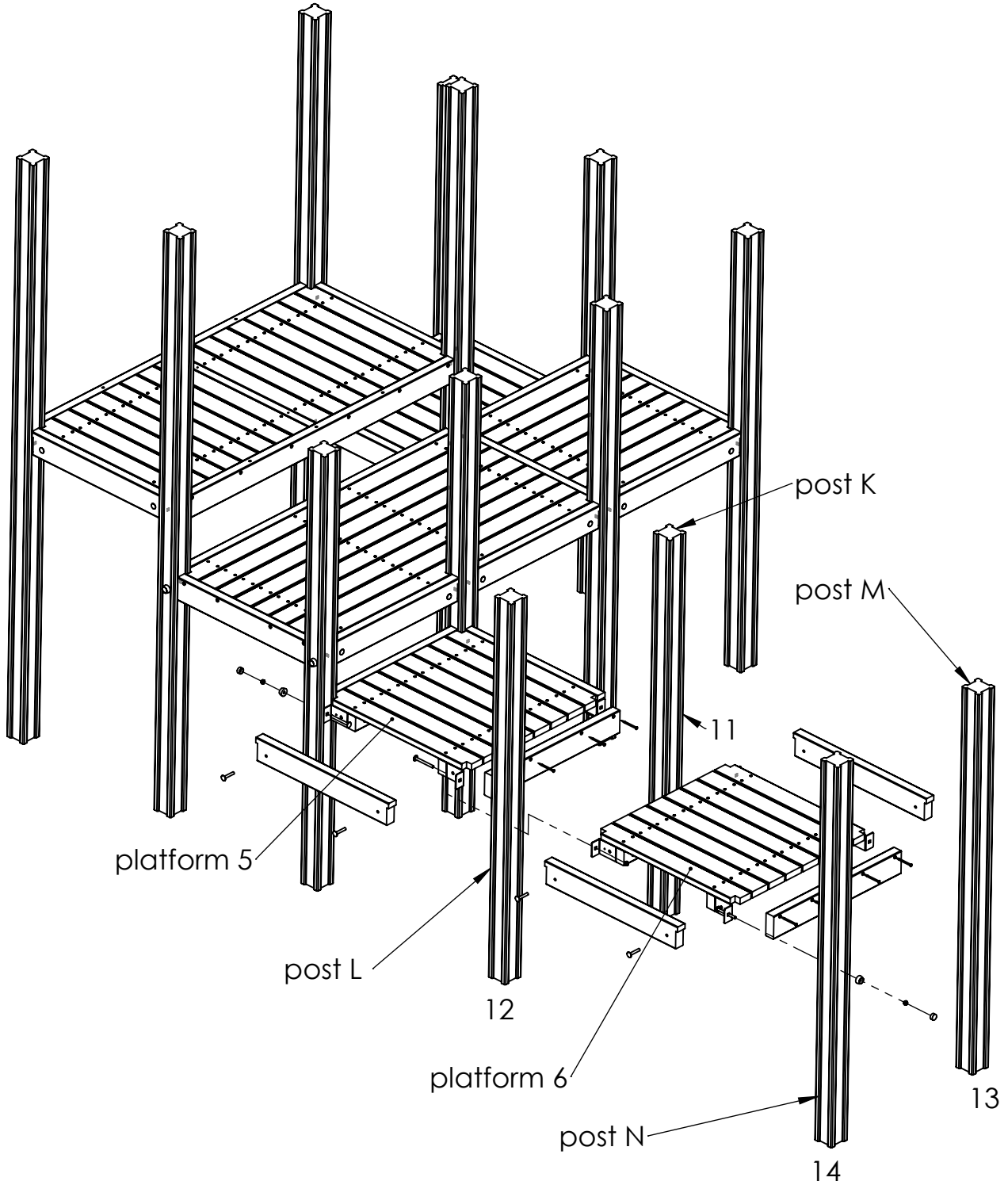
A

B

C

D

E



Install platforms and posts together in numerical order!

UNLESS OTHERWISE SPECIFIED:
DIMENSIONS ARE IN MILLIMETERS
WEIGHT ARE IN KILOGRAMM

PART NUMBER / DWG NO.:

Z001 MF

	NAME	SIGNATURE	DATE	REVISION
DRAWN	R.Fedotov		30.06.2015	
APPV'D				

DESCRIPTION:

Play Centre URSA MAJOR



Tiptaptap OÜ

Tiptaptap OÜ
Veetorni 9,
Jüri alevik, Rae vald,
75301 Harjumaa

MATERIAL:

wood, metal, plastic

A4

WEIGHT:

SCALE: 1:25

SHEET 11 OF 25

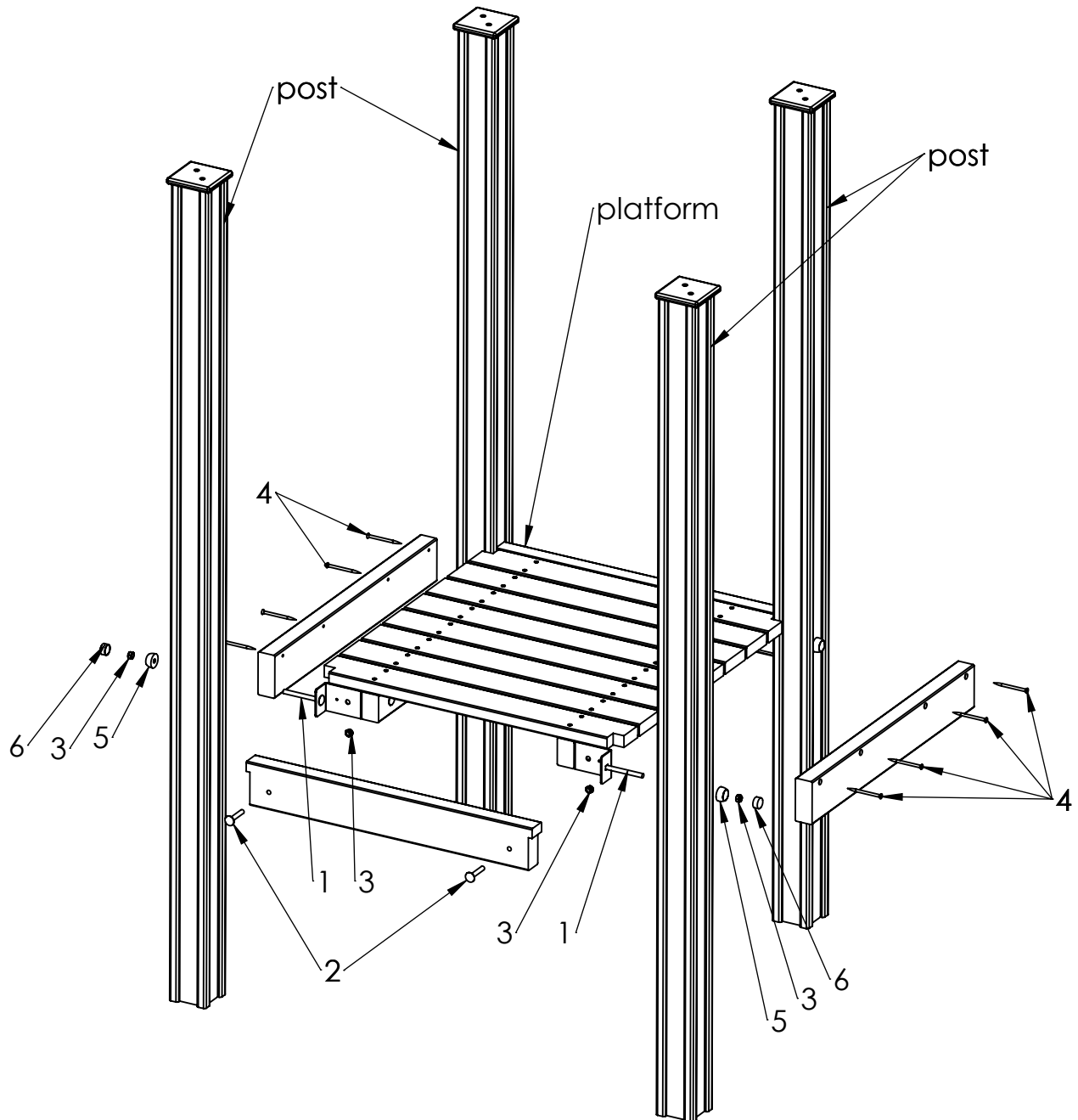
Connecting platform to post

A

B

C

D



E

ITEM NO.	PART NUMBER
1	bolt DIN603 M10x100
2	bolt DIN603 M10x60
3	nut DIN985 M10
4	Woodscrew 6 x 90
5	nut cover M10
6	nut cover cap M10

UNLESS OTHERWISE SPECIFIED:
DIMENSIONS ARE IN MILLIMETERS
WEIGHT ARE IN KILOGRAMM

PART NUMBER / DWG NO.:

Z001 MF

	NAME	SIGNATURE	DATE	REVISION
DRAWN	R.Fedotov		30.06.2015	
APPV'D				

DESCRIPTION:

Play Centre URSA MAJOR

F



Tiptap OÜ

Tiptap OÜ
Veetorni 9,
Jüri alevik, Rae vald,
75301 Harjumaa

MATERIAL:

wood, metal, plastic

A4

WEIGHT:

SCALE: 1:15

SHEET 12 OF 25

A

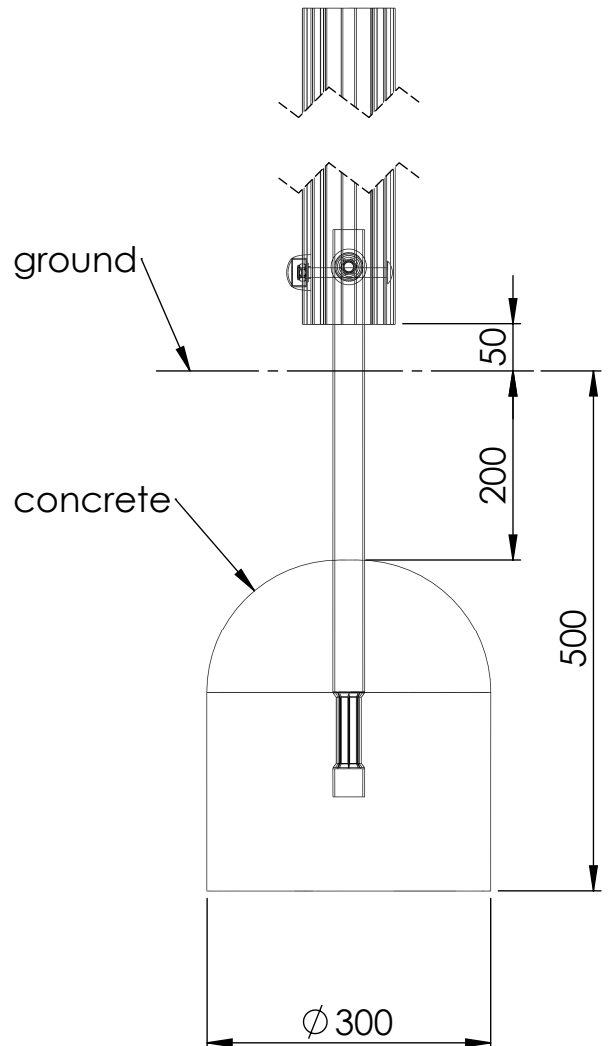
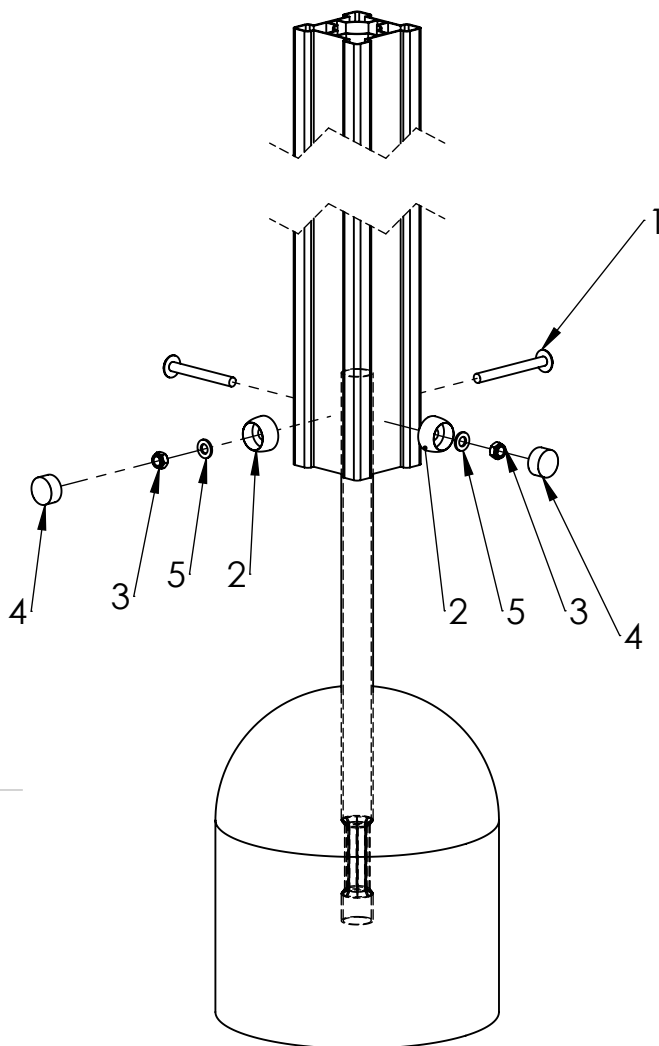
B

C

D

E

F



ITEM NO.	PART NUMBER
1	bolt DIN603 M10x100
2	nut cover M12
3	nut DIN985 M10
4	nut cover cap M12
5	washer M10

UNLESS OTHERWISE SPECIFIED:
DIMENSIONS ARE IN MILLIMETERS
WEIGHT ARE IN KILOGRAMM

PART NUMBER / DWG NO.:

Z001 MF

	NAME	SIGNATURE	DATE	REVISION
DRAWN	R.Fedotov			
APPV'D				

DESCRIPTION:

Play Centre URSA MAJOR



Tiptaptap OÜ

Tiptaptap OÜ
Veetorni 9,
Jüri alevik, Rae vald,
75301 Harjumaa

MATERIAL:

wood, metal, plastic

A4

WEIGHT:

SCALE: 1:8

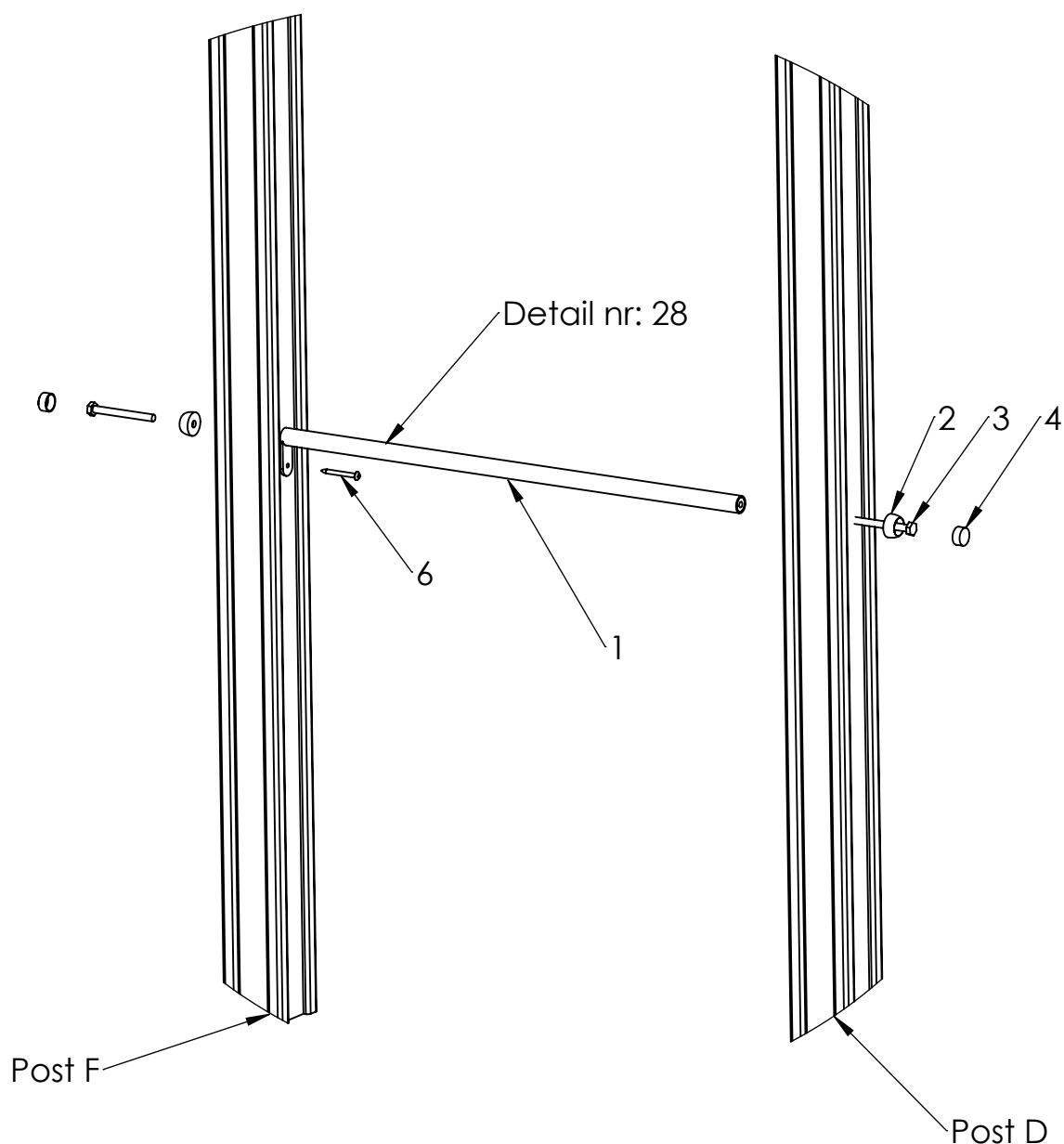
SHEET 13 OF 25

A

B

C

D



E

ITEM NO.	PART NUMBER	DESCRIPTION
1	guardrail $\varnothing 25 \times 770$	painted steel
2	nut cover M10	nut cover M10
3	bolt DIN931 M10x100	galvanized steel
4	nut cover cap M10	PE plastic
6	screw DIN7996 6x60	galvanized steel

F

UNLESS OTHERWISE SPECIFIED:
DIMENSIONS ARE IN MILLIMETERS
WEIGHT ARE IN KILOGRAMM

PART NUMBER / DWG NO.:

Z001 MF

	NAME	SIGNATURE	DATE	REVISION
DRAWN	R.Fedotov		30.06.2015	
APPV'D				

DESCRIPTION:

Play Centre URSA MAJOR



Tiptap OÜ

Tiptap OÜ
Veetorni 9,
Jüri alevik, Rae vald,
75301 Harjumaa

MATERIAL:

wood, metal, plastic

A4

WEIGHT:

SCALE: 1:10

SHEET 14 OF 25

A

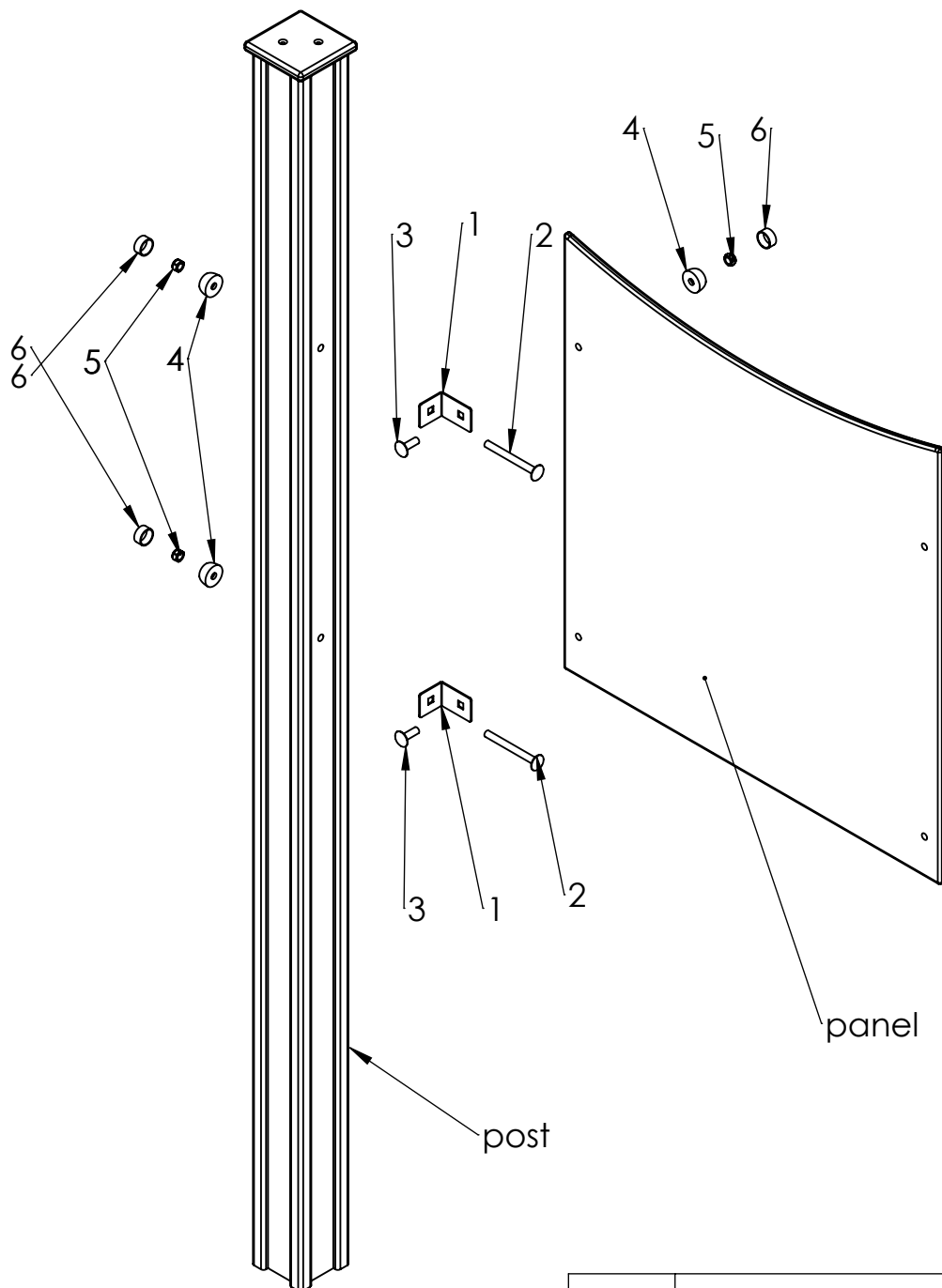
B

C

D

E

F



ITEM NO.	PART NUMBER
1	Corner 90°
2	bolt DIN603 M10x100
3	bolt DIN603 M10x30
4	nut cover M10
5	nut DIN985 M10
6	nut cover cap M10

UNLESS OTHERWISE SPECIFIED:
DIMENSIONS ARE IN MILLIMETERS
WEIGHT ARE IN KILOGRAMM

PART NUMBER / DWG NO.:

Z001 MF

	NAME	SIGNATURE	DATE	REVISION
DRAWN	R.Fedotov		30.06.2015	
APPV'D				

DESCRIPTION:

Play Centre URSA MAJOR
connecting panel to post

MATERIAL:

wood, metal, plastic

A4

WEIGHT:

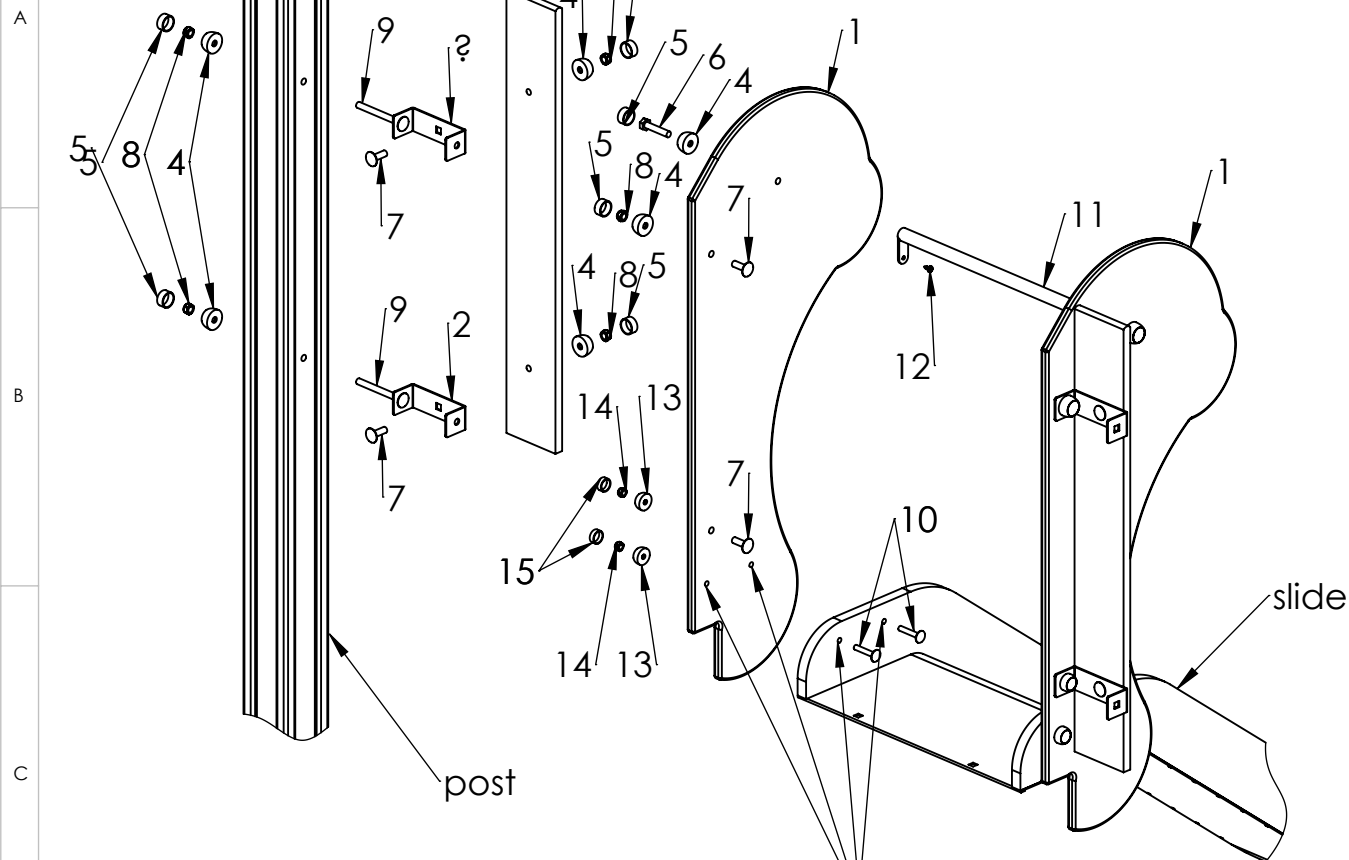
SCALE: 1:10

SHEET 15 OF 25



Tiptap OÜ

Tiptap OÜ
Veetorni 9,
Jüri alevik, Rae vald,
75301 Harjumaa



It is important to drill 8,5mm holes through side panel and slide.

ITEM NO.	PART NUMBER
1	slide side panel
2	Slide side panel fixing 40x123
3	side panel 110x780
4	nut cover M10
5	nut cover cap M10
6	bolt DIN931 M10x50
7	bolt DIN603 M10x30
8	nut DIN985 M10
9	bolt DIN603 M10x100
10	bolt DIN603 M8x45
11	slide guardrail 2015
12	wood screw 4,8x13
13	nut cover M8
14	nut DIN985 M8
15	nut cover cap M8

UNLESS OTHERWISE SPECIFIED:
DIMENSIONS ARE IN MILLIMETERS
WEIGHT ARE IN KILOGRAMM

PART NUMBER / DWG NO.:

Z001 MF

	NAME	SIGNATURE	DATE	REVISION
DRAWN	R.Fedotov		30.06.2015	
APPV'D				

DESCRIPTION:

Play Centre URSA MAJOR
connecting silde guard block to post

MATERIAL:

wood, metal, plastic

A4

WEIGHT:

SCALE: 1:12

SHEET 16 OF 25



Tiptiptap OÜ

Tiptiptap OÜ
Veetorni 9,
Jüri alevik, Rae vald,
75301 Harjumaa

A

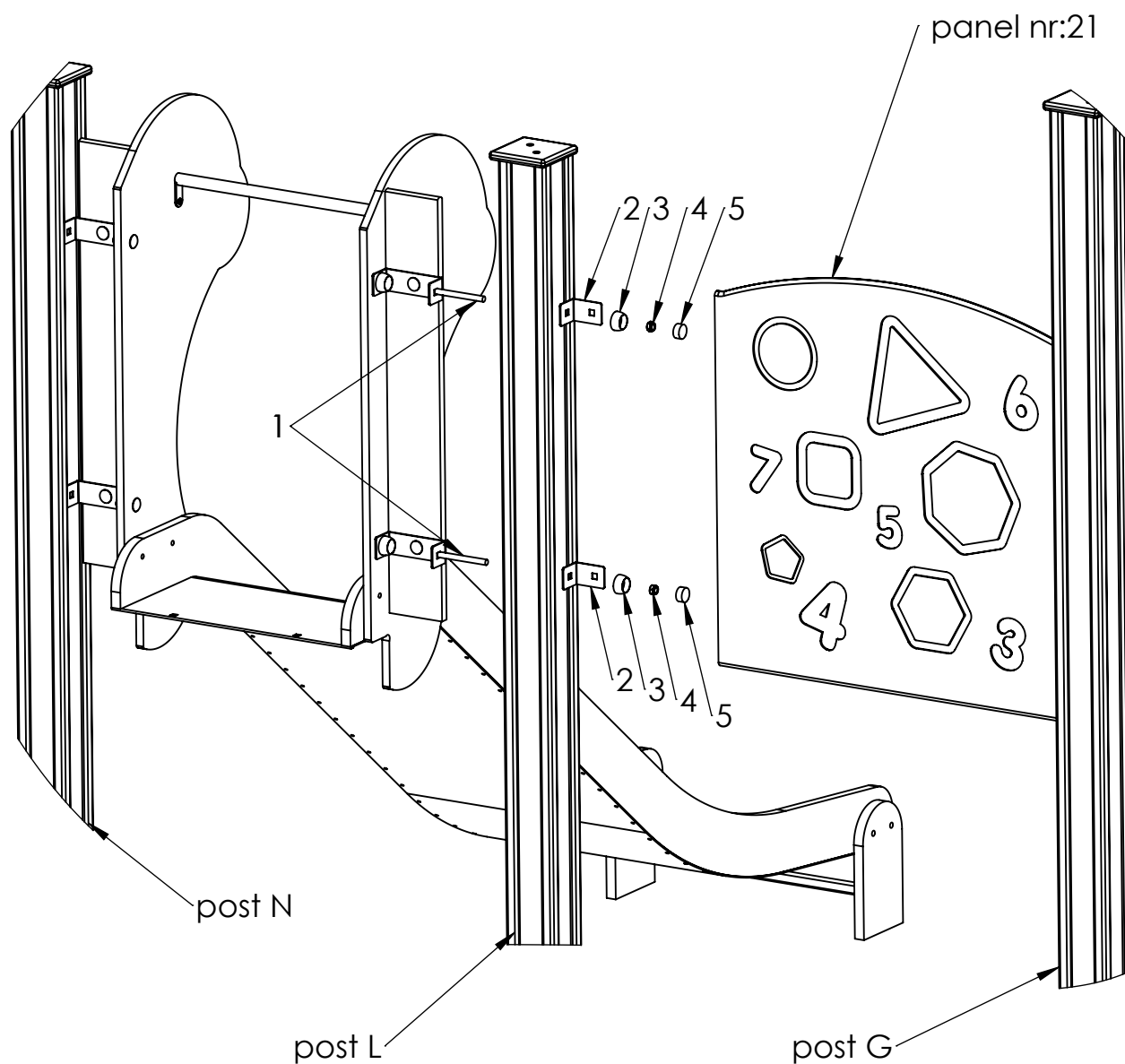
B

C

D

E

F



ITEM NO.	PART NUMBER
1	bolt DIN603 M10x100
2	Corner 90°
3	nut cover M10
4	nut DIN985 M10
5	nut cover cap M10

UNLESS OTHERWISE SPECIFIED:
DIMENSIONS ARE IN MILLIMETERS
WEIGHT ARE IN KILOGRAMM

	NAME	SIGNATURE	DATE	REVISION
DRAWN	R.Fedotov		30.06.2015	
APPV'D				

PART NUMBER / DWG NO.:

Z001 MF

DESCRIPTION:

Play Centre URSA MAJOR

MATERIAL:

wood, metal, plastic

A4

WEIGHT:

SCALE: 1:12

SHEET 17 OF 25



Tiptaptap OÜ

Tiptaptap OÜ
Veetorni 9,
Jüri alevik, Rae vald,
75301 Harjumaa

A

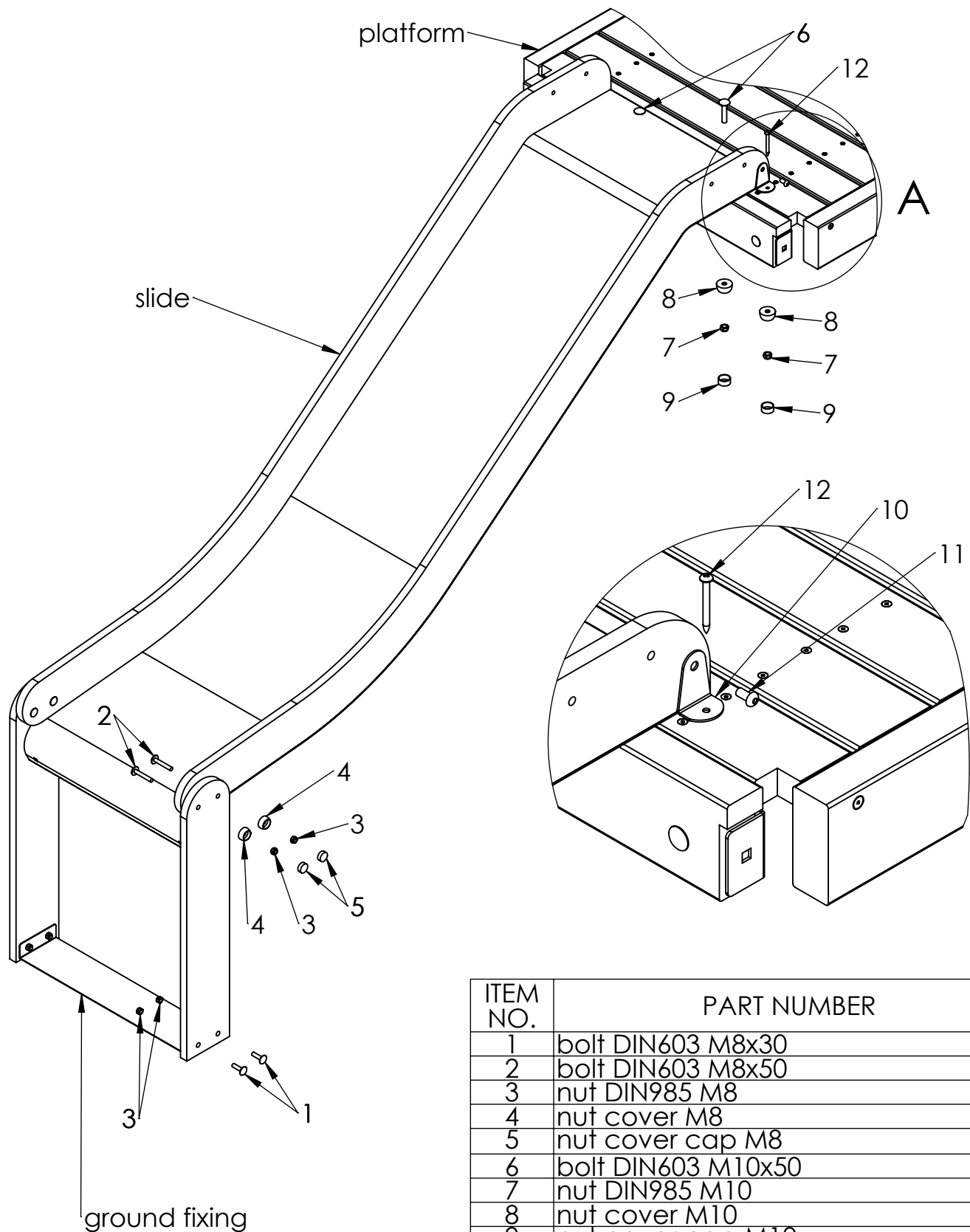
B

C

D

E

F



ITEM NO.	PART NUMBER
1	bolt DIN603 M8x30
2	bolt DIN603 M8x50
3	nut DIN985 M8
4	nut cover M8
5	nut cover cap M8
6	bolt DIN603 M10x50
7	nut DIN985 M10
8	nut cover M10
9	nut cover cap M10
10	corner 58x30
11	metal screw DIN 7380 M8x16
12	screw DIN7996 6x60

UNLESS OTHERWISE SPECIFIED:
DIMENSIONS ARE IN MILLIMETERS
WEIGHT ARE IN KILOGRAMM

	NAME	SIGNATURE	DATE	REVISION
DRAWN	R.Fedotov		30.06.2015	
APPV'D				

PART NUMBER / DWG NO.:

Z001 MF

DESCRIPTION:

Play Centre URSA MAJOR
connecting slide to platform

MATERIAL:

wood, metal, plastic

A4

WEIGHT:

SCALE: 1:12

SHEET 18 OF 25



Tiptiptap OÜ

Tiptiptap OÜ
Veetorni 9,
Jüri alevik, Rae vald,
75301 Harjumaa

A

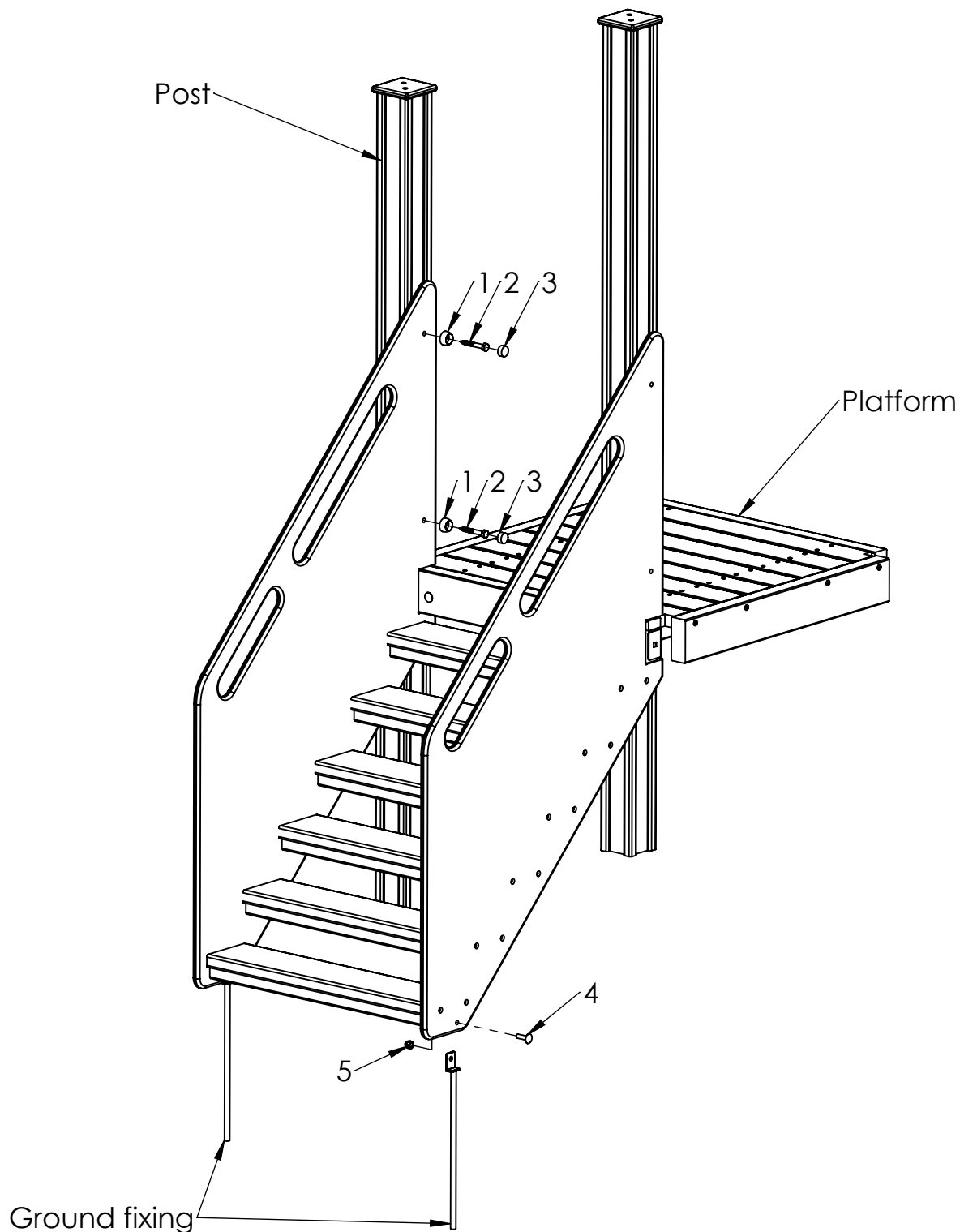
B

C

D

E

F



ITEM NO.	PART NUMBER
1	nut cover M10
2	wood screw DIN571 10x80
3	nut cover cap M10
4	bolt DIN603 M10x35
5	domed cap nut DIN1587 M10

UNLESS OTHERWISE SPECIFIED:
DIMENSIONS ARE IN MILLIMETERS
WEIGHT ARE IN KILOGRAMM

PART NUMBER / DWG NO.:

Z001 MF

	NAME	SIGNATURE	DATE	REVISION
DRAWN	R.Fedotov		30.06.2015	
APPV'D				

DESCRIPTION:

Play Centre URSA MAJOR



Tiptaptap OÜ

Tiptaptap OÜ
Veetorni 9,
Jüri alevik, Rae vald,
75301 Harjumaa

MATERIAL:

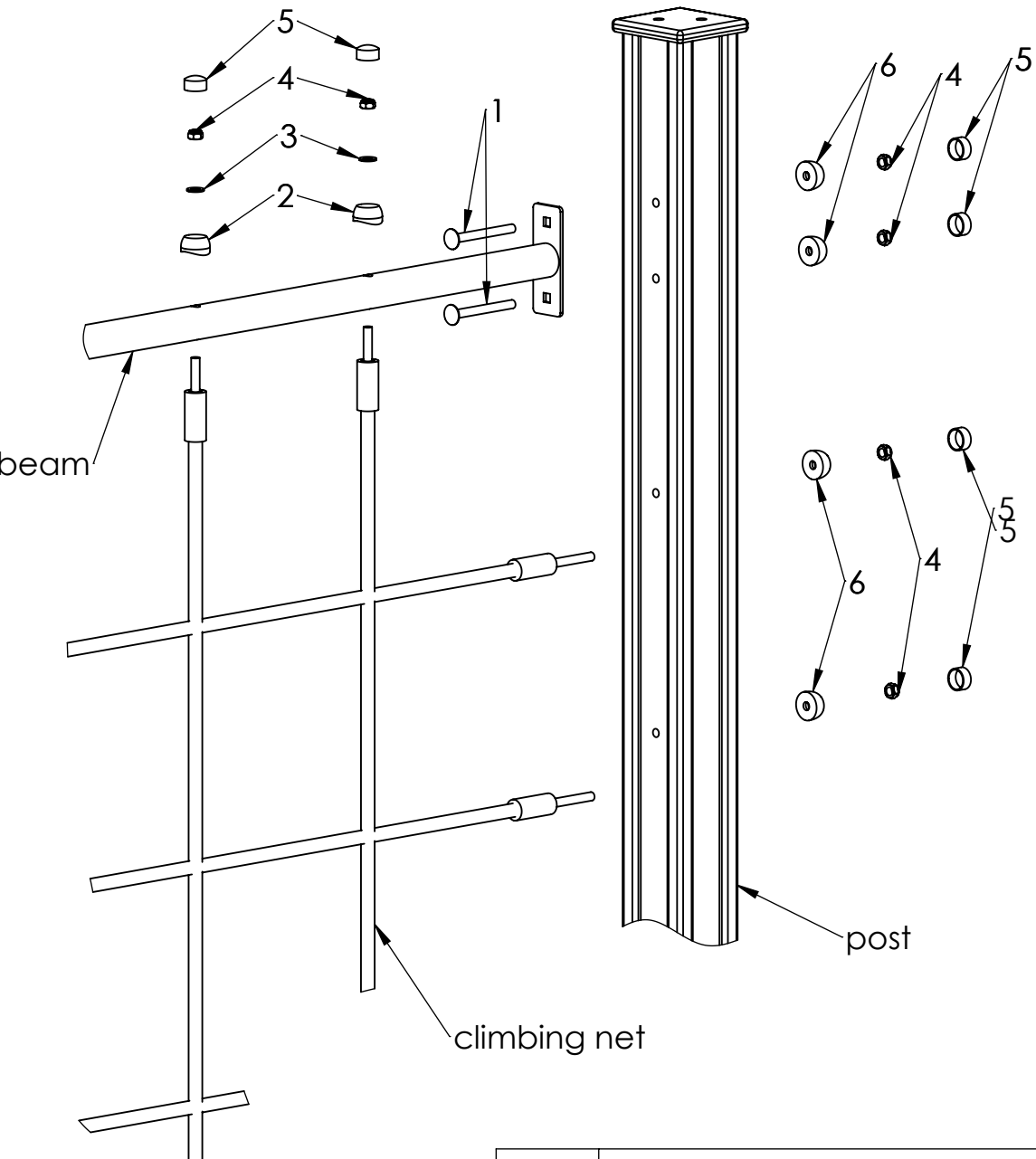
wood, metal, plastic

A4

WEIGHT:

SCALE: 1:15

SHEET 19 OF 25



ITEM NO.	PART NUMBER
1	bolt DIN603 M10x100
2	nut cover for beam M10
3	washer M10
4	nut DIN985 M10
5	nut cover cap M10
6	nut cover M10

UNLESS OTHERWISE SPECIFIED: DIMENSIONS ARE IN MILLIMETERS WEIGHT ARE IN KILOGRAMM				
	NAME	SIGNATURE	DATE	REVISION
DRAWN	R.Fedotov		30.06.2015	
APPV'D				

PART NUMBER / DWG NO.:	Z001 MF
DESCRIPTION:	Play Centre URSA MAJOR connecting beam and climbing net to post



Tiptiptap OÜ
Veetorni 9,
Jüri alevik, Rae vald,
75301 Harjumaa

MATERIAL:	wood, metal, plastic	A4
WEIGHT:	SCALE: 1:8	SHEET 20 OF 25

A

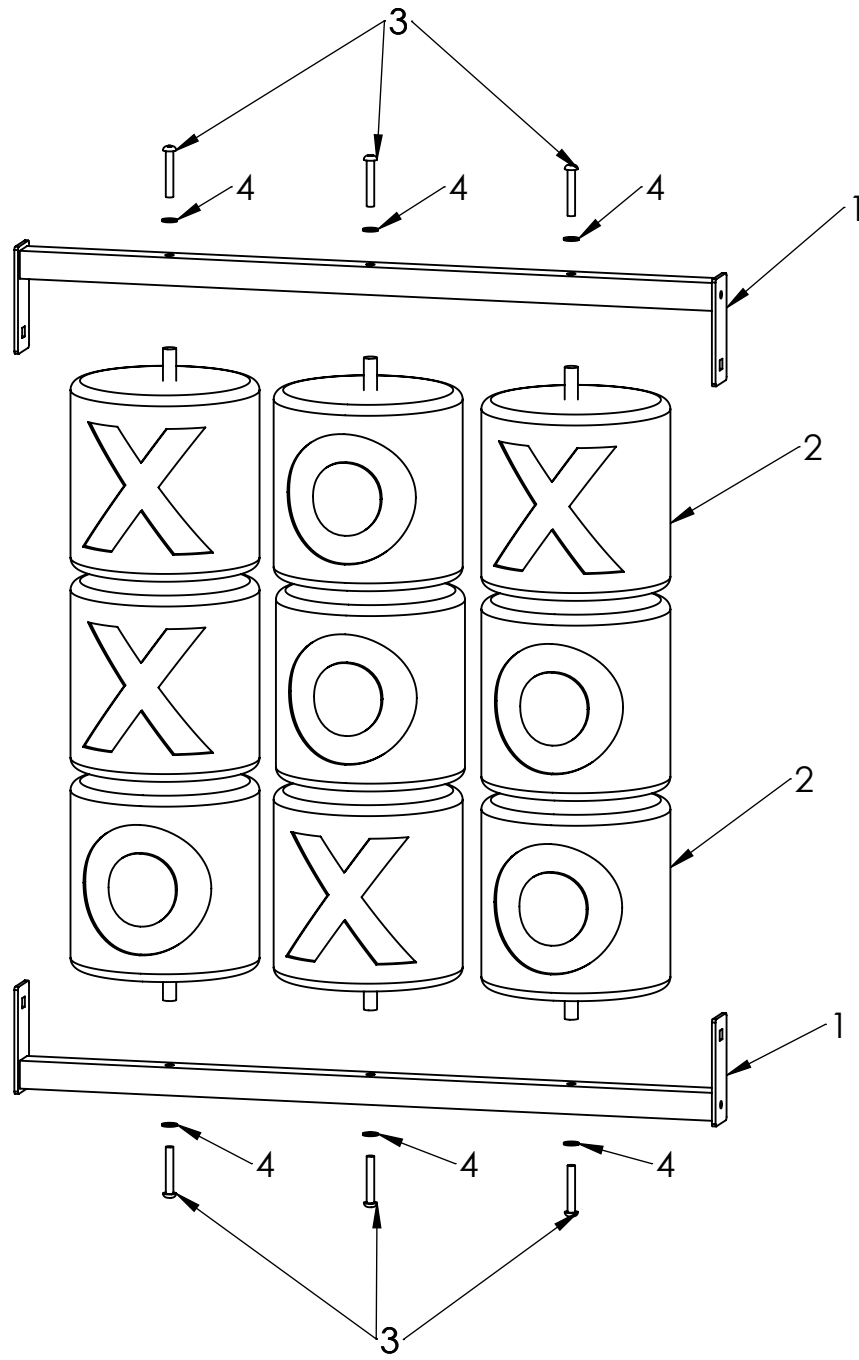
B

C

D

E

F



ITEM NO.	PART NUMBER	DESCRIPTION
1	OXO frame	
2	cylinder	
3	metal screw DIN 7380 M8x50	
4	washer M8	galvanized steel

UNLESS OTHERWISE SPECIFIED: DIMENSIONS ARE IN MILLIMETERS WEIGHT ARE IN KILOGRAMM				
	NAME	SIGNATURE	DATE	REVISION
DRAWN	R.Fedotov		30.06.2015	
APPV'D				

PART NUMBER / DWG NO.:	Z001 MF
DESCRIPTION:	Play Centre URSA MAJOR



Tiptaptap OÜ
 Veetorni 9,
 Jüri alevik, Rae vald,
 75301 Harjumaa

MATERIAL:	wood, metal, plastic	A4
WEIGHT:	SCALE: 1:8	SHEET 21 OF 25

A

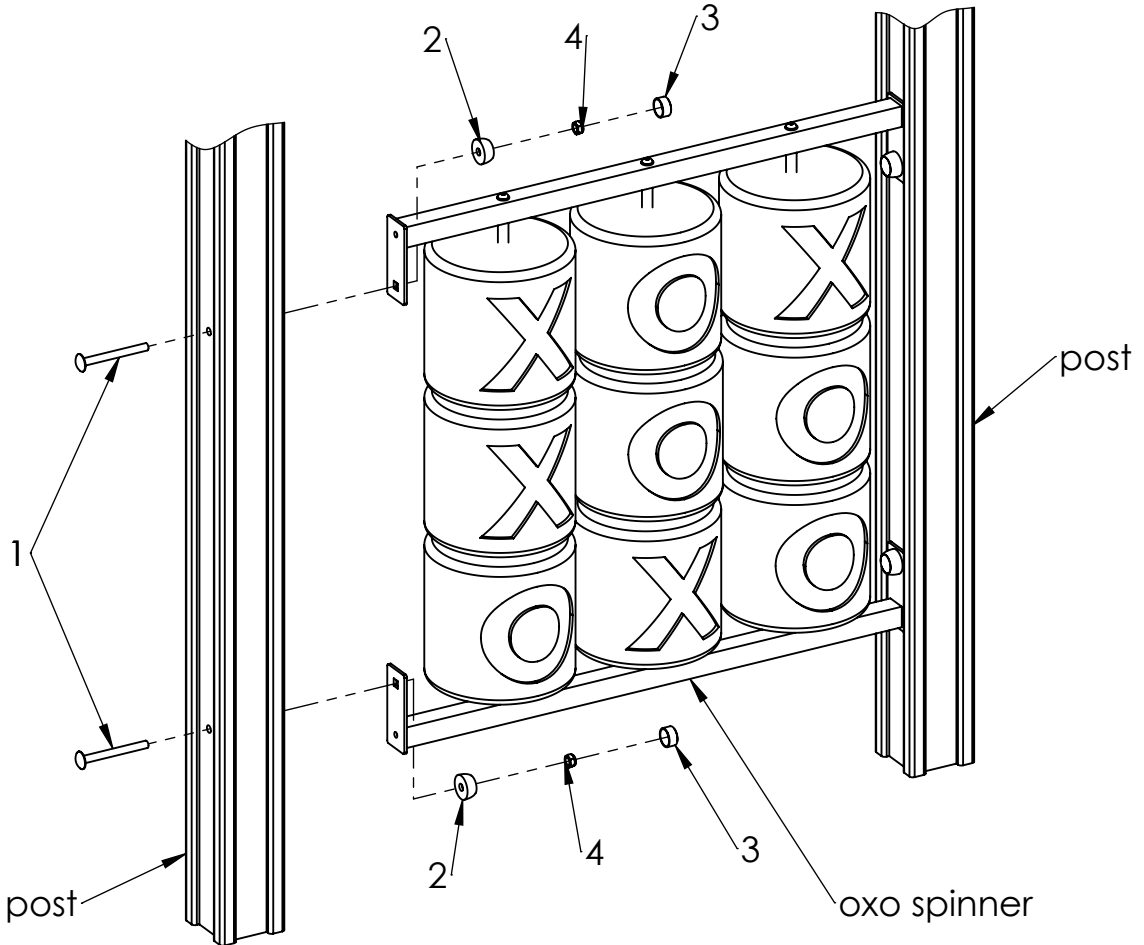
B

C

D

E

F



ITEM NO.	PART NUMBER
1	bolt DIN603 M10x100
2	nut cover M10
3	nut cover cap M10
4	nut DIN985 M10

UNLESS OTHERWISE SPECIFIED:
 DIMENSIONS ARE IN MILLIMETERS
 WEIGHT ARE IN KILOGRAMM

PART NUMBER / DWG NO.:
Z001 MF

	NAME	SIGNATURE	DATE	REVISION
DRAWN	R.Fedotov		30.06.2015	
APPV'D				

DESCRIPTION:
**Play Centre URSA MAJOR
 connecting oxo spinner to post**



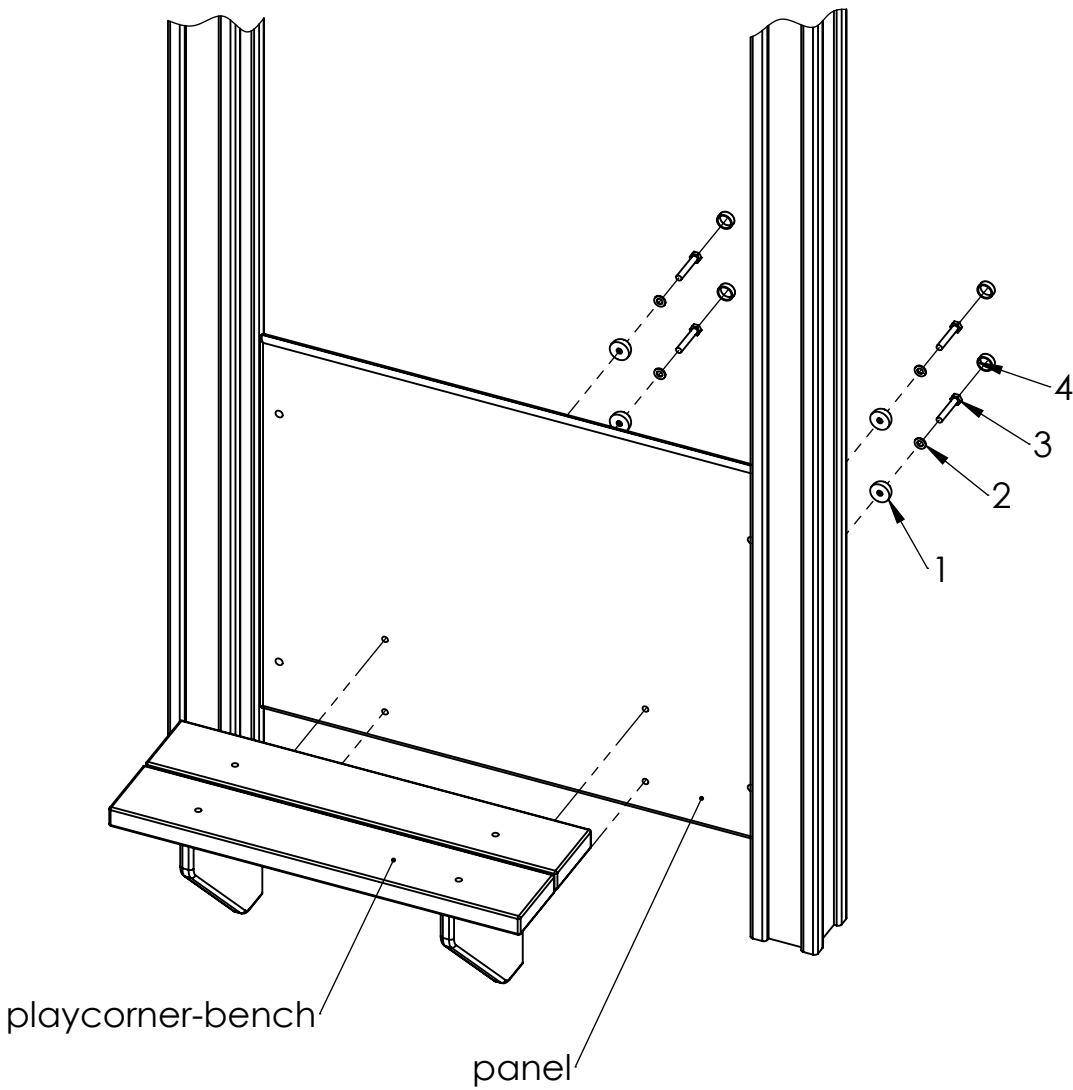
Tiptaptap OÜ

Tiptaptap OÜ
 Veetorni 9,
 Jüri alevik, Rae vald,
 75301 Harjumaa

MATERIAL:
 wood, metal, plastic

A4

WEIGHT: SCALE: 1:10 SHEET 22 OF 25



ITEM NO.	PART NUMBER
1	nut cover M8
2	washer M8
3	bolt DIN933 M8x50
4	nut cover cap M8

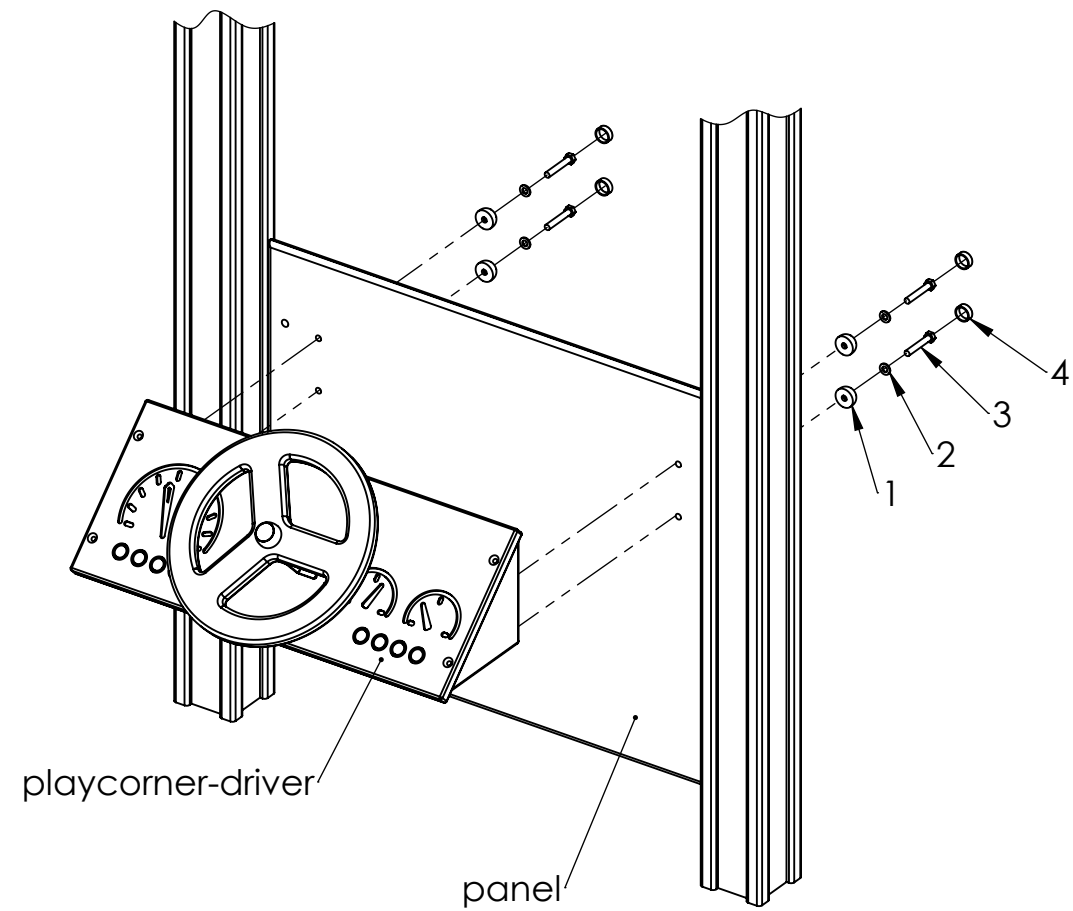
UNLESS OTHERWISE SPECIFIED: DIMENSIONS ARE IN MILLIMETERS WEIGHT ARE IN KILOGRAMM				
	NAME	SIGNATURE	DATE	REVISION
DRAWN	R.Fedotov		30.06.2015	
APPV'D				

PART NUMBER / DWG NO.:	Z001 MF
DESCRIPTION:	Play Centre URSA MAJOR connecting playcorner-bench to panel



Tiptaptap OÜ
 Veetorni 9,
 Jüri alevik, Rae vald,
 75301 Harjumaa

MATERIAL:	wood, metal, plastic	A4
WEIGHT:	SCALE: 1:10	SHEET 23 OF 25



playcorner-driver

panel

ITEM NO.	PART NUMBER
1	nut cover M8
2	washer M8
3	bolt DIN933 M8x50
4	nut cover cap M8

UNLESS OTHERWISE SPECIFIED:
DIMENSIONS ARE IN MILLIMETERS
WEIGHT ARE IN KILOGRAMM

PART NUMBER / DWG NO.:

Z001 MF

	NAME	SIGNATURE	DATE	REVISION
DRAWN	R.Fedotov		30.06.2015	
APPV'D				

DESCRIPTION:

Play Centre URSA MAJOR
connecting playcorner-driver to panel



Tiptaptap OÜ

Tiptaptap OÜ
Veetorni 9,
Jüri alevik, Rae vald,
75301 Harjumaa

MATERIAL:

wood, metal, plastic

A4

WEIGHT:

SCALE: 1:10

SHEET 24 OF 25

Assembling roof and connecting to post

A

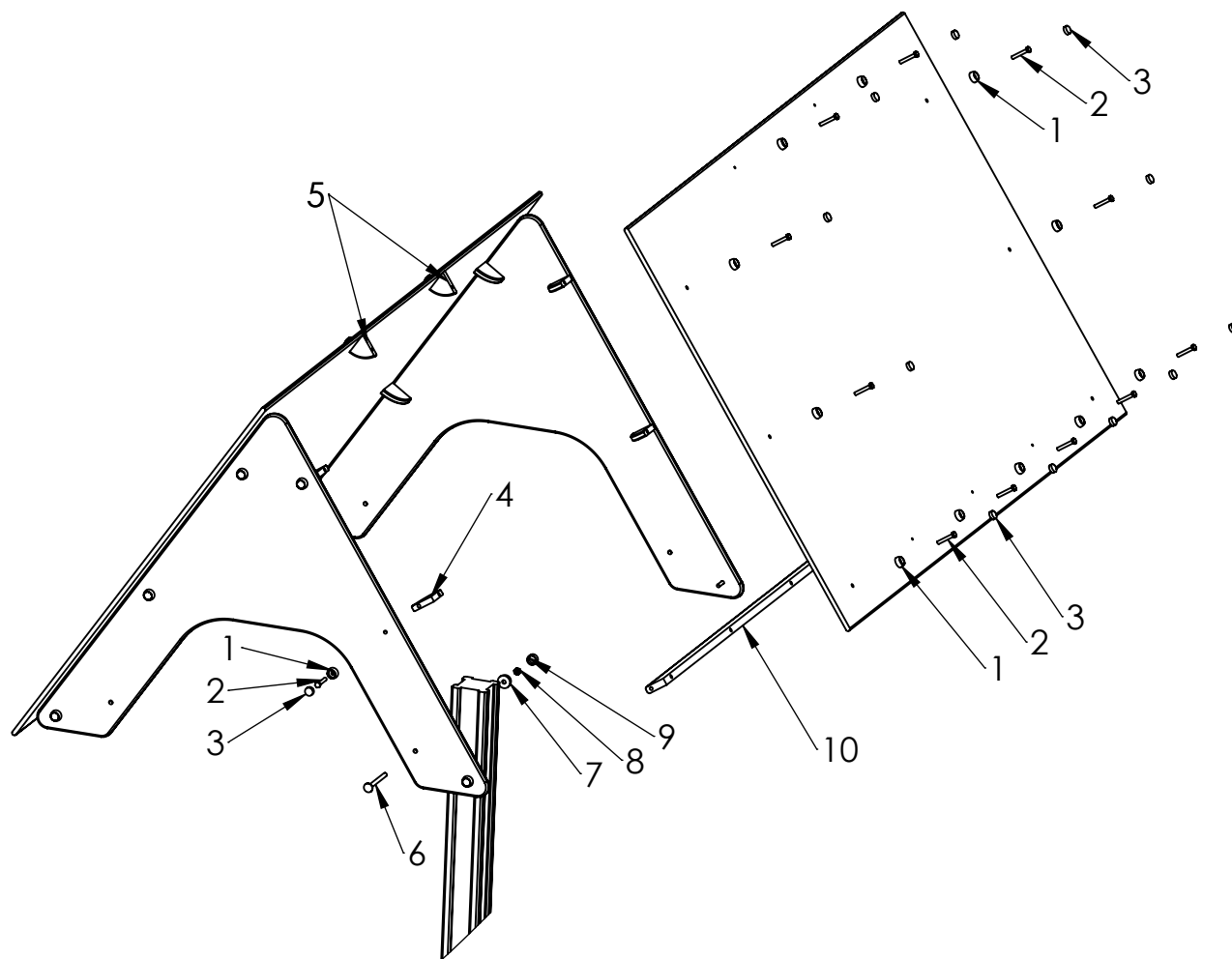
B

C

D

E

F



ITEM NO.	PART NUMBER
1	nut cover M8
2	bolt DIN933 M8x50
3	nut cover cap M8
4	Plastic corner 90°
5	plastic corner 67°
6	bolt DIN603 M10x120
7	nut cover M10
8	nut DIN985 M10
9	nut cover cap M10
10	Slat to roof

UNLESS OTHERWISE SPECIFIED:
DIMENSIONS ARE IN MILLIMETERS
WEIGHT ARE IN KILOGRAMM

PART NUMBER / DWG NO.:

Z001 MF

	NAME	SIGNATURE	DATE	REVISION
DRAWN	R.Fedotov		30.06.2015	
APPV'D				

DESCRIPTION:

Play Centre URSA MAJOR

MATERIAL:

wood, metal, plastic

A4

WEIGHT:

SCALE: 1:19

SHEET 25 OF 25



Tiptiptap OÜ

Tiptiptap OÜ
Veetorni 9,
Jüri alevik, Rae vald,
75301 Harjumaa