

A

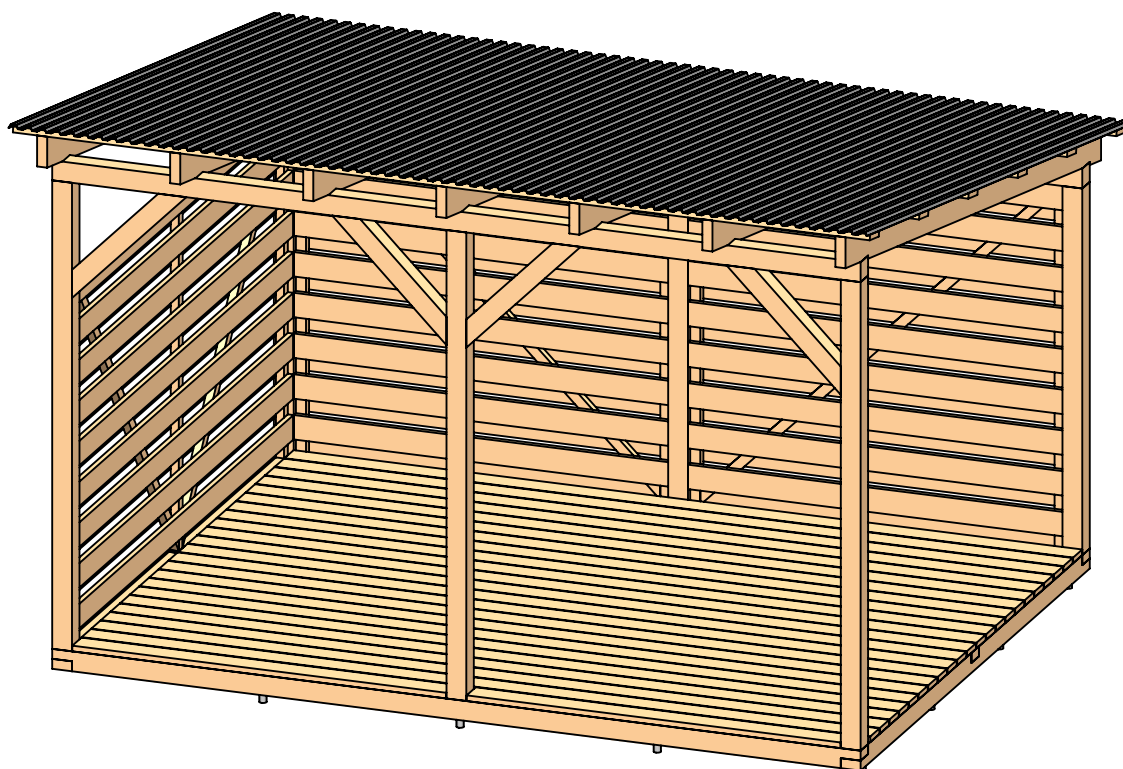
B

C

D

E

F



UNLESS OTHERWISE SPECIFIED:  
DIMENSIONS ARE IN MILLIMETERS  
WEIGHT ARE IN KILOGRAMM

PART NUMBER / DWG NO.:

VP001

	NAME	SIGNATURE	DATE	REVISION
DRAWN	M.Rebase		26.08.2012	
APPV'D				

DESCRIPTION:

SHELTER with wooden floor, 3x4m



**Tiptaptap** OÜ

Tiptaptap OÜ  
Veetorni 9,  
Jüri alevik, Rae vald,  
75301 Harjumaa

MATERIAL:

wood, metal, plastic

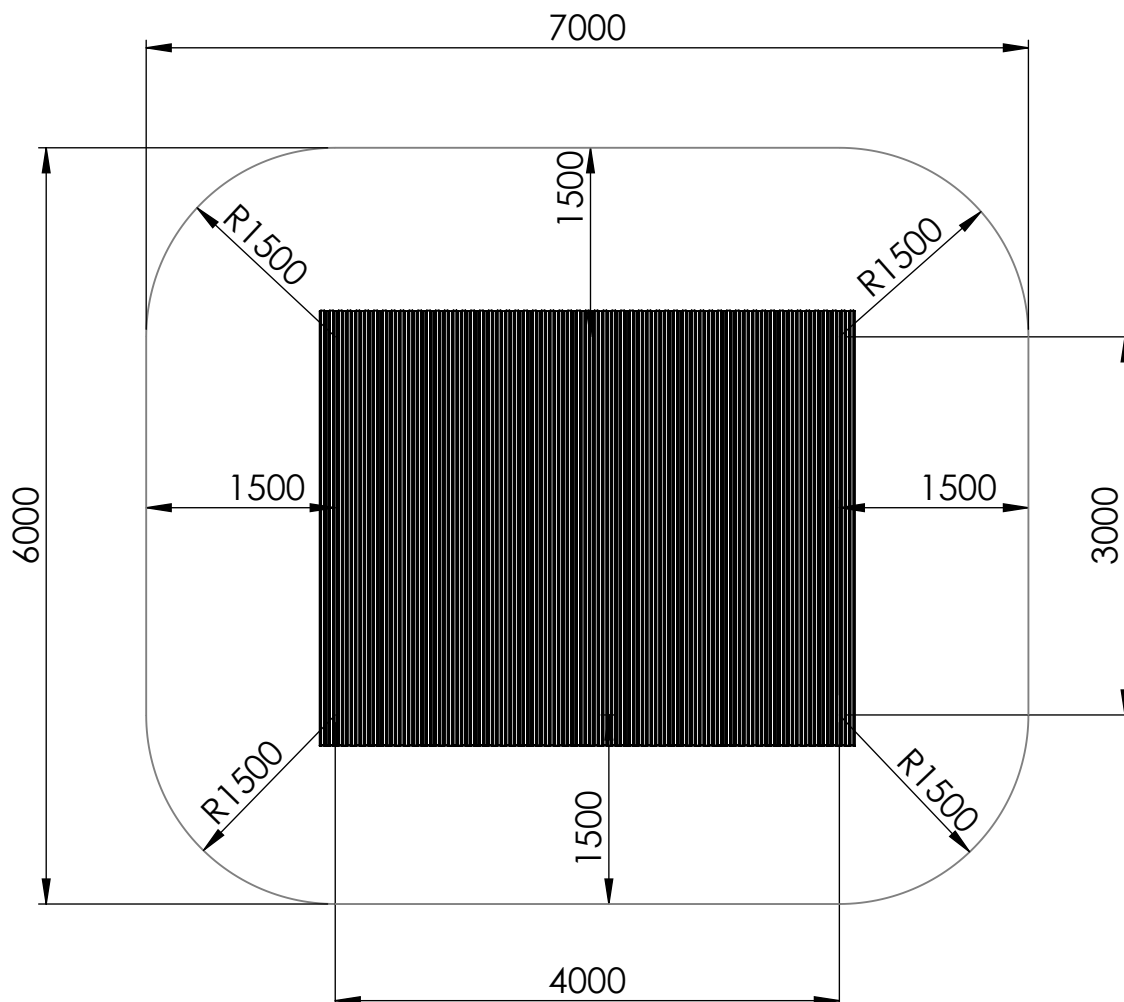
A4

WEIGHT:

SCALE: 1:35

SHEET 1 OF 7

# safety area



UNLESS OTHERWISE SPECIFIED:  
DIMENSIONS ARE IN MILLIMETERS  
WEIGHT ARE IN KILOGRAMM

PART NUMBER / DWG NO.:

VP001

	NAME	SIGNATURE	DATE	REVISION
DRAWN	M.Rebase		26.08.2012	
APPV'D				

DESCRIPTION:

SHELTER with wooden floor, 3x4m



**Tiptap** OÜ

Tiptap OÜ  
Veetorni 9,  
Jüri alevik, Rae vald,  
75301 Harjumaa

MATERIAL:

wood, metal, plastic

A4

WEIGHT:

SCALE: 1:60

SHEET 2 OF 7

# foundation

A

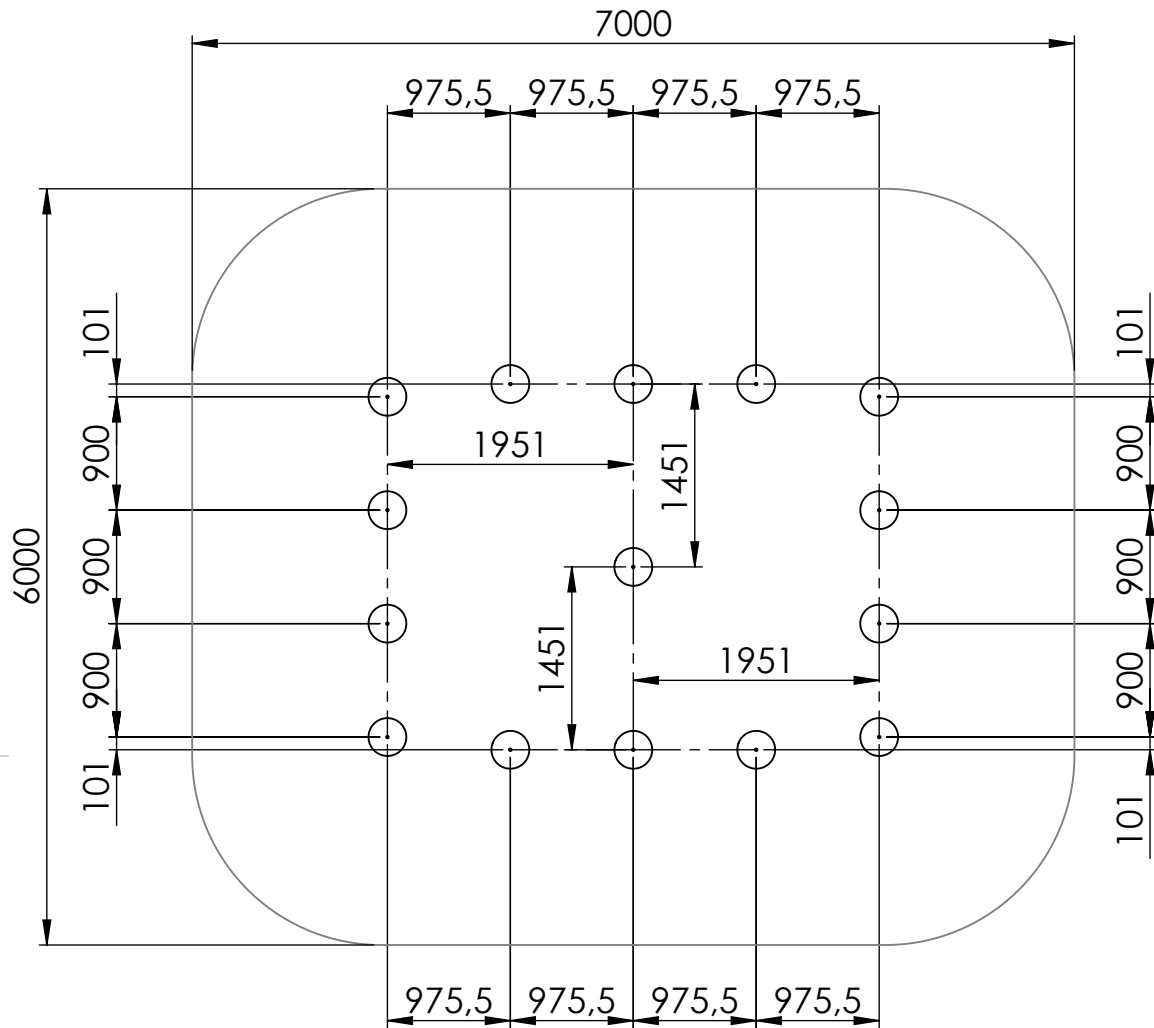
B

C

D

E

F



UNLESS OTHERWISE SPECIFIED:  
DIMENSIONS ARE IN MILLIMETERS  
WEIGHT ARE IN KILOGRAMM

PART NUMBER / DWG NO.:

VP001

	NAME	SIGNATURE	DATE	REVISION
DRAWN	M.Rebase		26.08.2012	
APPV'D				

DESCRIPTION:

SHELTER with wooden floor, 3x4m



**Tiptap** OÜ

Tiptap OÜ  
Veetorni 9,  
Jüri alevik, Rae vald,  
75301 Harjumaa

MATERIAL:

wood, metal, plastic

A4

WEIGHT:

SCALE: 1:60

SHEET 3 OF 7

A

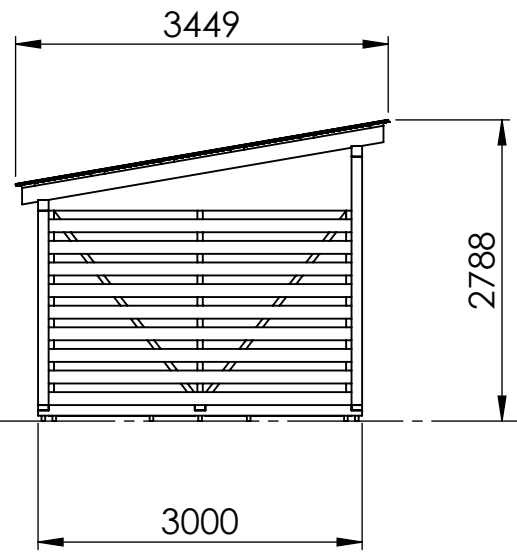
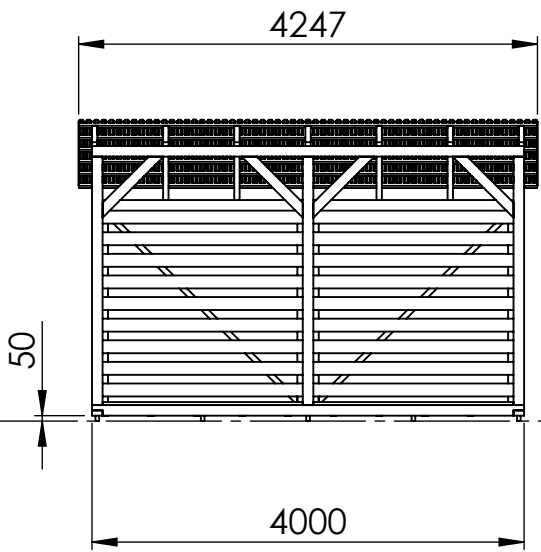
B

C

D

E

F



ground



UNLESS OTHERWISE SPECIFIED: DIMENSIONS ARE IN MILLIMETERS WEIGHT ARE IN KILOGRAMM				
	NAME	SIGNATURE	DATE	REVISION
DRAWN	M.Rebase		26.08.2012	
APPV'D				

PART NUMBER / DWG NO.:  
**VP001**

DESCRIPTION:  
**SHELTER with wooden floor, 3x4m**



**Tiptiptap** OÜ  
Veetorni 9,  
Jüri alevik, Rae vald,  
75301 Harjumaa

MATERIAL:	wood, metal, plastic	A4
WEIGHT:	SCALE: 1:70	SHEET 4 OF 7

A

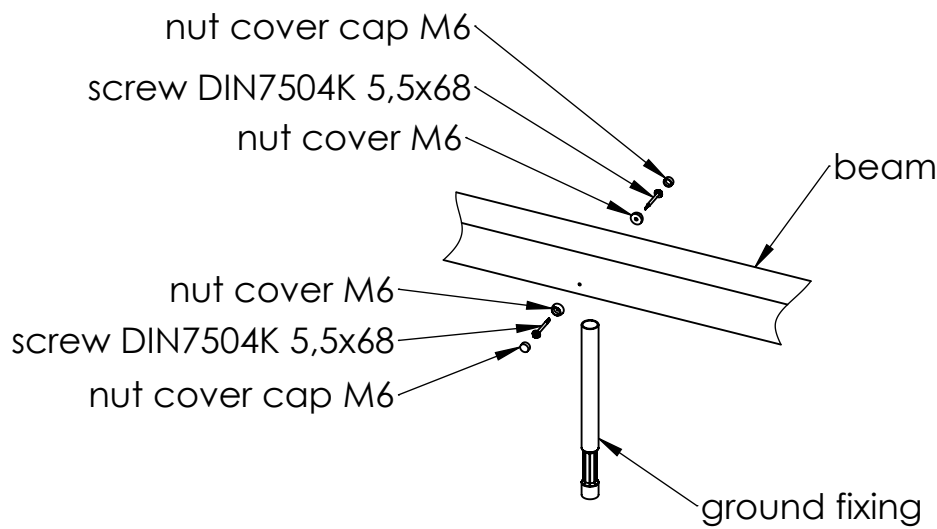
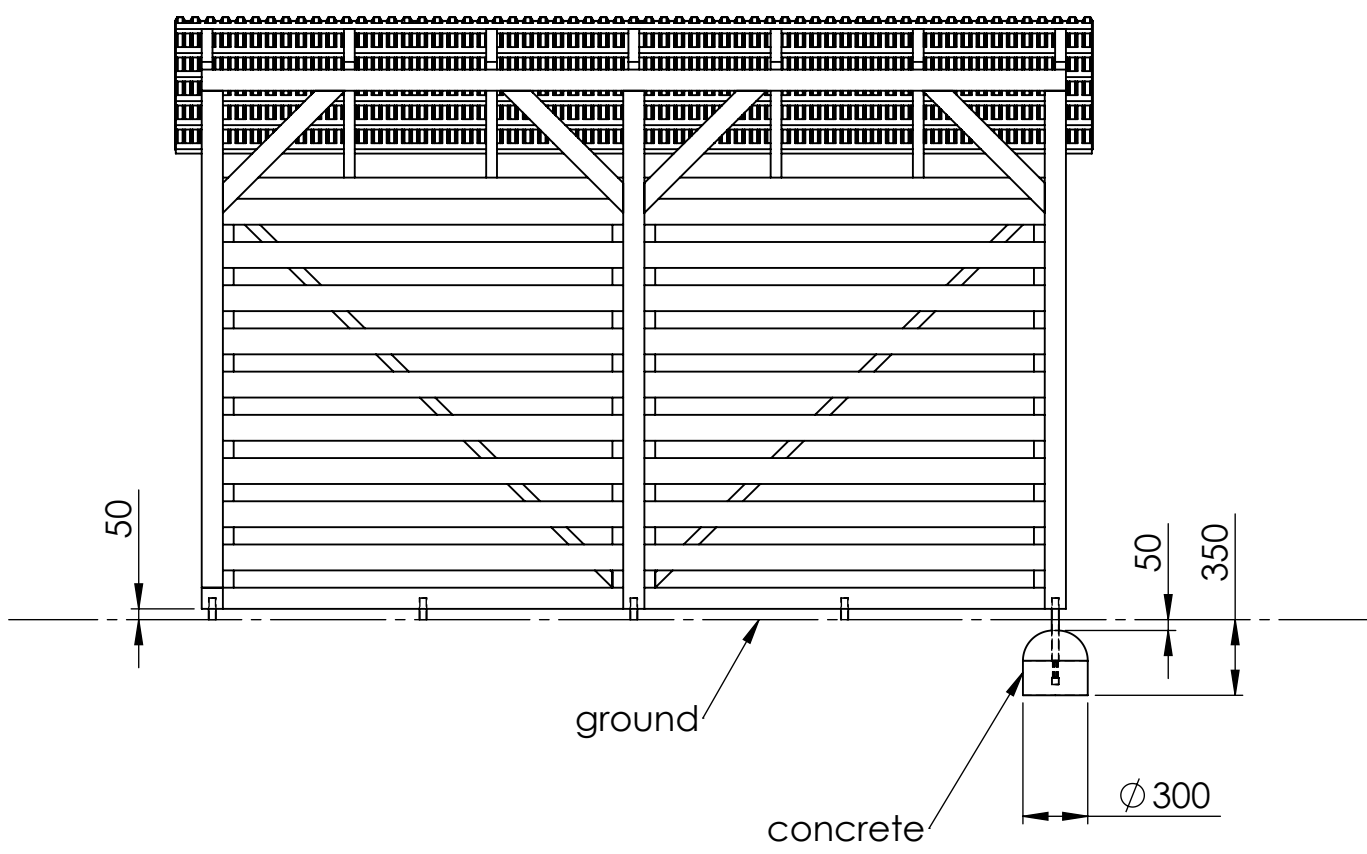
B

C

D

E

F



UNLESS OTHERWISE SPECIFIED:  
DIMENSIONS ARE IN MILLIMETERS  
WEIGHT ARE IN KILOGRAMM

	NAME	SIGNATURE	DATE	REVISION
DRAWN	M.Rebase		26.08.2012	
APPV'D				

PART NUMBER / DWG NO.:	VP001
DESCRIPTION:	SHELTER with wooden floor, 3x4m



**Tiptiptap** OÜ  
Veetorni 9,  
Jüri alevik, Rae vald,  
75301 Harjumaa

MATERIAL:	wood, metal, plastic	A4
WEIGHT:		SCALE: 1:35
		SHEET 5 OF 7

A

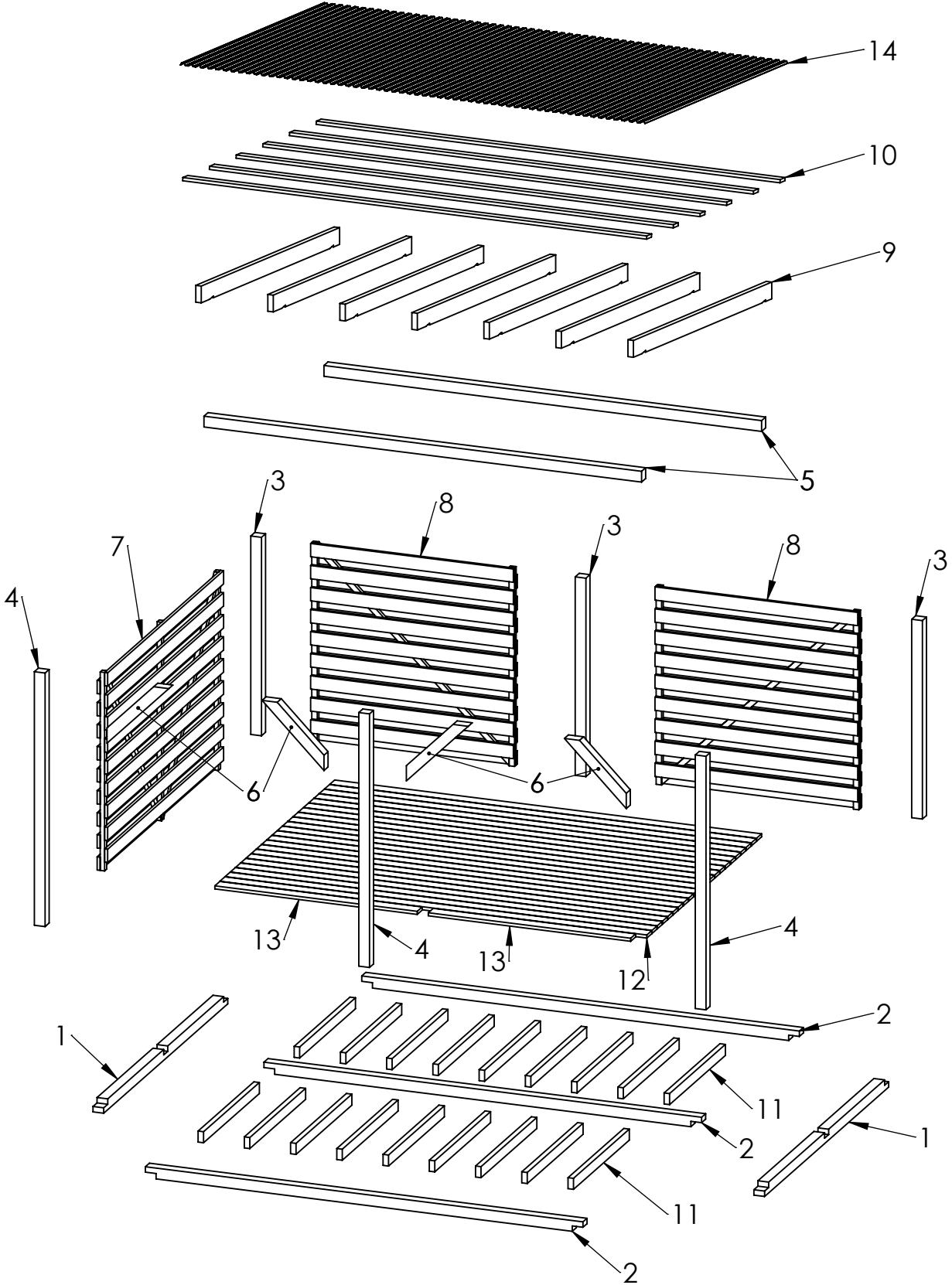
B

C

D

E

F



UNLESS OTHERWISE SPECIFIED:  
 DIMENSIONS ARE IN MILLIMETERS  
 WEIGHT ARE IN KILOGRAMM

	NAME	SIGNATURE	DATE	REVISION
DRAWN	M.Rebase		26.08.2012	
APPV'D				

PART NUMBER / DWG NO.:  
**VP001**

DESCRIPTION:  
**SHELTER with wooden floor, 3x4m**



**Tiptaptap** OÜ  
 Veetorni 9,  
 Jüri alevik, Rae vald,  
 75301 Harjumaa

MATERIAL:	wood, metal, plastic	A4
WEIGHT:		SCALE: 1:50
		SHEET 6 OF 7

ITEM NO.	PART NUMBER	DESCRIPTION	QTY.
1	beam 98x98x3000-3 cut outs	impregnated laminated wood	2
2	beam 98x98x4000-2 cut outs	impregnated laminated wood	3
3	beam 98x98x1800	impregnated laminated wood	3
4	beam 98x98x2300	impregnated laminated wood	3
5	beam 98x98x4000	impregnated laminated wood	2
6	beam 98x98x800	impregnated laminated wood	4
7	wall 1800x2804	impregnated wood	1
8	wall 1800x1850	impregnated wood	2
9	beam 50x150x3425	wood	7
10	board 28x120x4240	wood	6
11	beam 50x100x1350	impregnated wood	18
12	board 28x120x3902	impregnated wood	22
13	board 28x120x1850	impregnated wood	2
14	roof panel 1095x3500	PE plastic	4



UNLESS OTHERWISE SPECIFIED: DIMENSIONS ARE IN MILLIMETERS WEIGHT ARE IN KILOGRAMM				
	NAME	SIGNATURE	DATE	REVISION
DRAWN	M.Rebase		26.08.2012	
APPV'D				

PART NUMBER / DWG NO.:	VP001
DESCRIPTION:	SHELTER with wooden floor, 3x4m



**Tiptaptap** OÜ  
 Veetorni 9,  
 Jüri alevik, Rae vald,  
 75301 Harjumaa

MATERIAL:	wood, metal, plastic	A4
WEIGHT:	SCALE: 1:50	SHEET 7 OF 7