

A

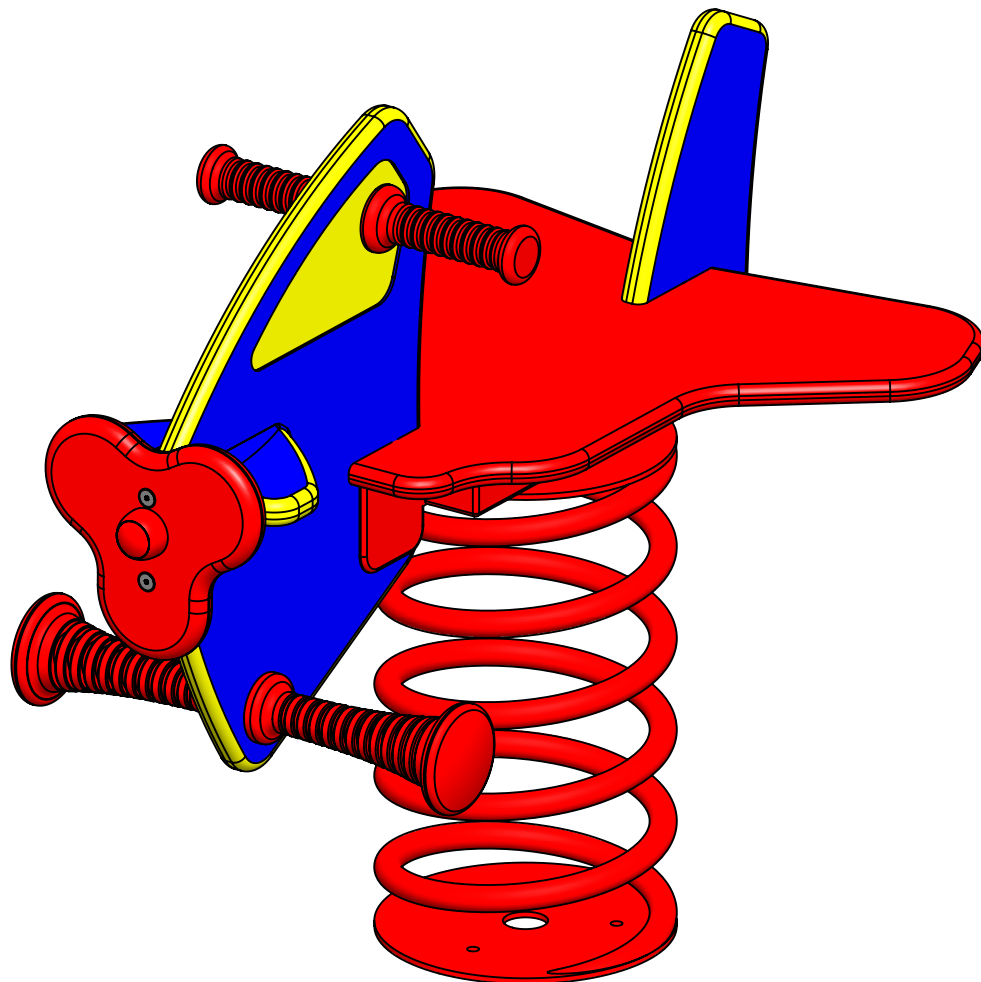
B

C

D

E

F



UNLESS OTHERWISE SPECIFIED:
DIMENSIONS ARE IN MILLIMETERS
WEIGHT ARE IN KILOGRAMM

PART NUMBER / DWG NO.:

VLO39

	NAME	SIGNATURE	DATE	REVISION
DRAWN	M.Rebase		29.05.2015	
APPV'D				

DESCRIPTION:

Spring swing WILBUR



Tiptaptap OÜ

Tiptaptap OÜ
Veetorni 9,
Jüri alevik, Rae vald,
75301 Harjumaa

MATERIAL:

wood, metal, plastic

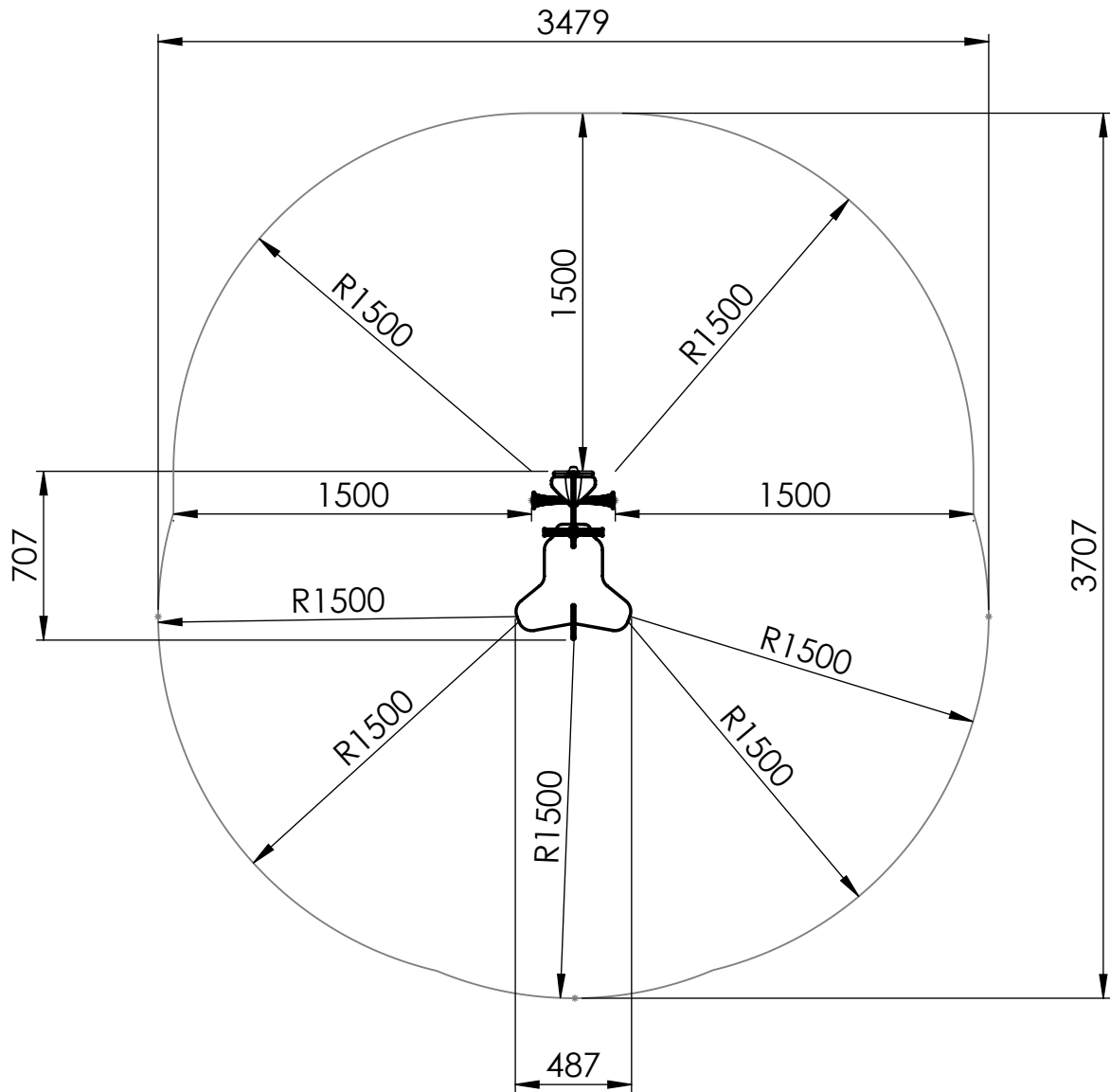
A4

WEIGHT:

SCALE: 1:5

SHEET 1 OF 5

safety area



UNLESS OTHERWISE SPECIFIED:
DIMENSIONS ARE IN MILLIMETERS
WEIGHT ARE IN KILOGRAMM

PART NUMBER / DWG NO.:

VLO39

	NAME	SIGNATURE	DATE	REVISION
DRAWN	M.Rebase		29.05.2015	
APPV'D				

DESCRIPTION:

Spring swing WILBUR



Tiptap OÜ

Tiptap OÜ
Veetorni 9,
Jüri alevik, Rae vald,
75301 Harjumaa

MATERIAL:

wood, metal, plastic

A4

WEIGHT:

SCALE: 1:30

SHEET 2 OF 5

foundation

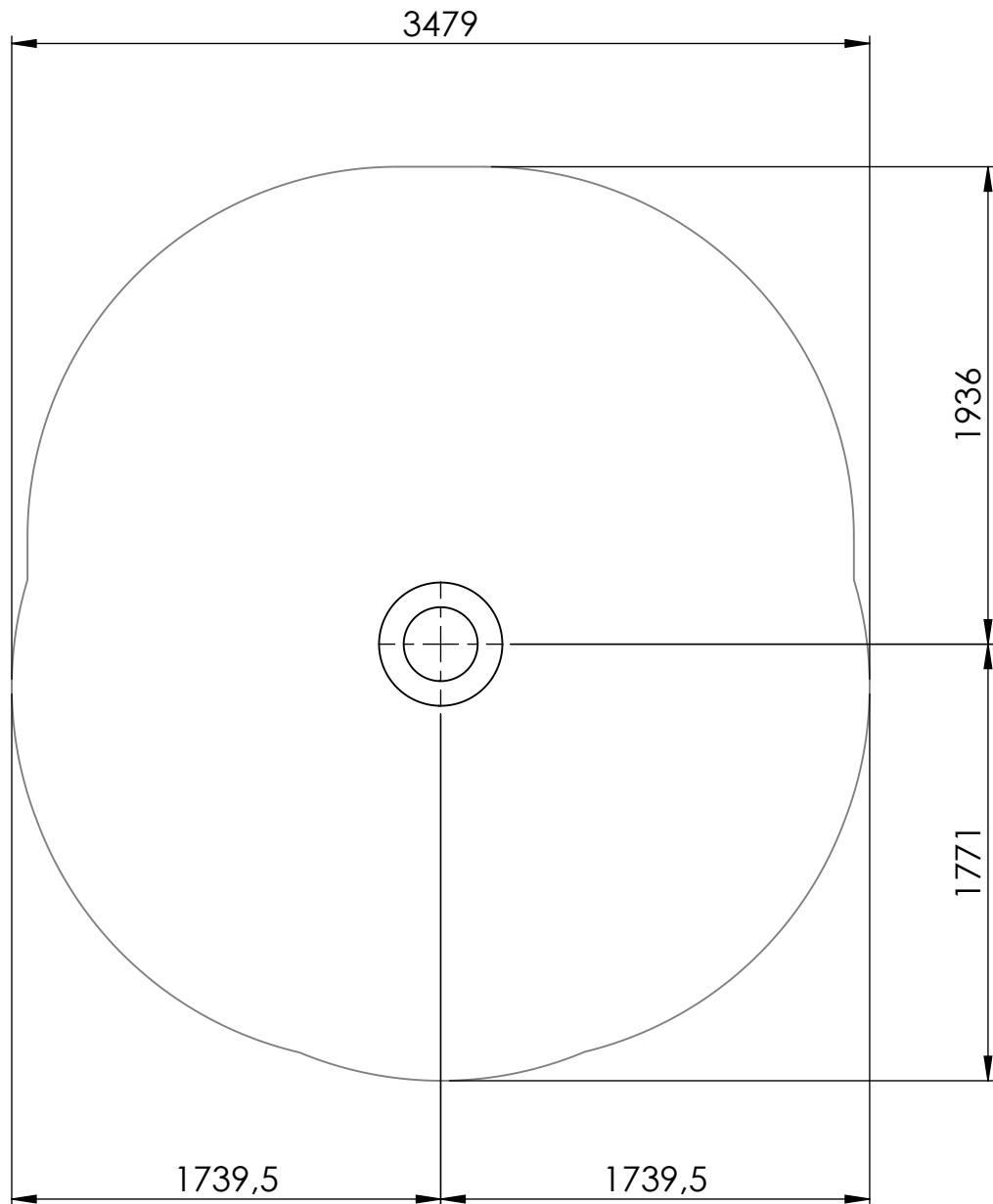
A

B

C

D

E



UNLESS OTHERWISE SPECIFIED:
DIMENSIONS ARE IN MILLIMETERS
WEIGHT ARE IN KILOGRAMM

PART NUMBER / DWG NO.:

VLO39

	NAME	SIGNATURE	DATE	REVISION
DRAWN	M.Rebase		29.05.2015	
APPV'D				

DESCRIPTION:

Spring swing WILBUR

F



Tiptaptap OÜ

Tiptaptap OÜ
Veetorni 9,
Jüri alevik, Rae vald,
75301 Harjumaa

MATERIAL:

wood, metal, plastic

A4

WEIGHT:

SCALE: 1:30

SHEET 3 OF 5

A

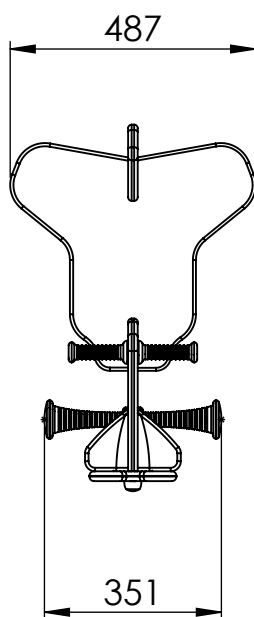
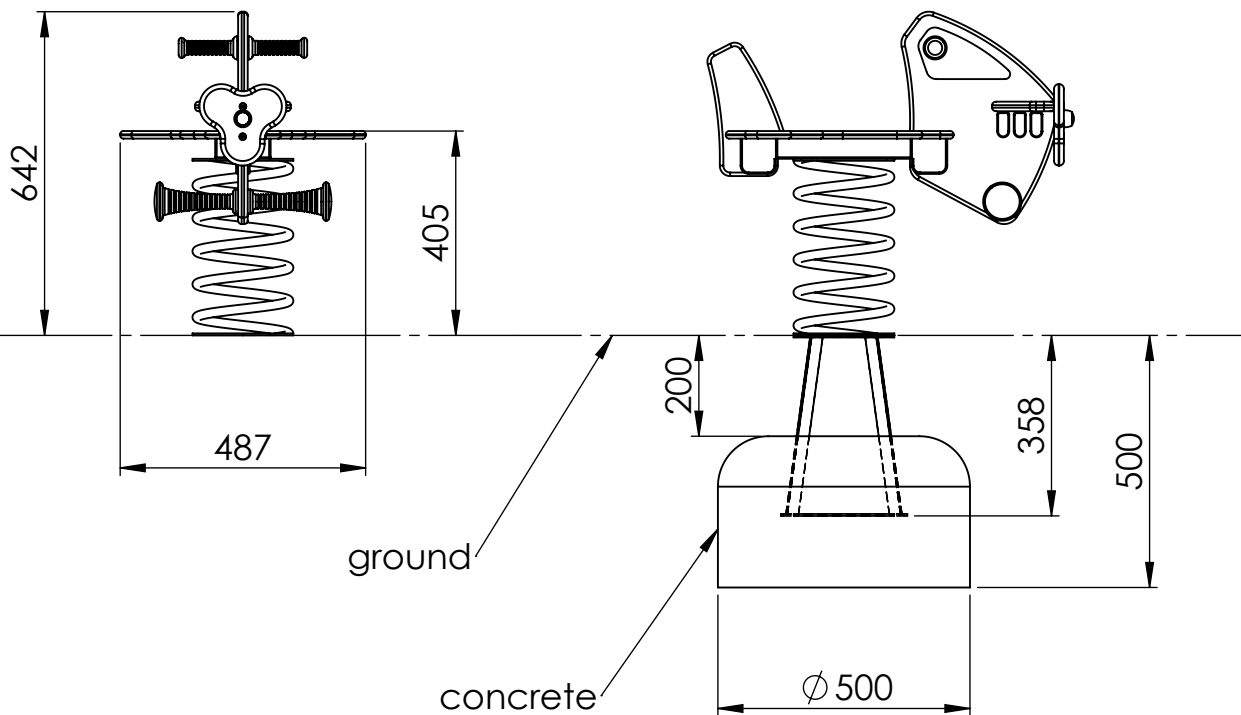
B

C

D

E

F



UNLESS OTHERWISE SPECIFIED:
DIMENSIONS ARE IN MILLIMETERS
WEIGHT ARE IN KILOGRAMM

PART NUMBER / DWG NO.:

VLO39

	NAME	SIGNATURE	DATE	REVISION
DRAWN	M.Rebase		29.05.2015	
APPV'D				

DESCRIPTION:

Spring swing WILBUR



Tiptaptap OÜ

Tiptaptap OÜ
Veetorni 9,
Jüri alevik, Rae vald,
75301 Harjumaa

MATERIAL:

wood, metal, plastic

A4

WEIGHT:

SCALE: 1:15

SHEET 4 OF 5

A

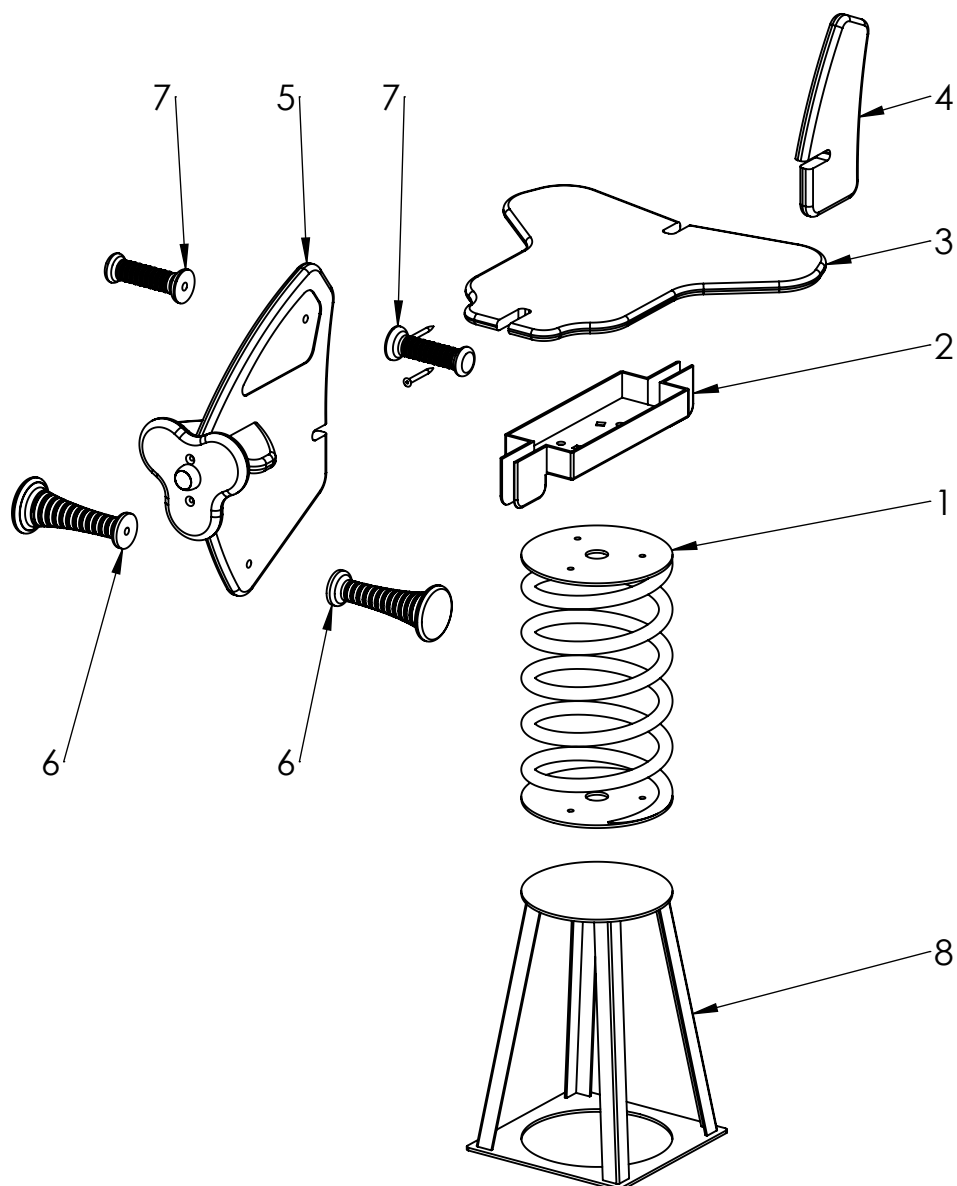
B

C

D

E

F



ITEM NO.	PART NUMBER	DESCRIPTION	QTY.
1	spring 200 with springdisk	painted steel	1
2	seat fixing	painted steel	1
3	seat for spring swing	PE plastic	1
4	tail for spring swing	PE plastic	1
5	head for spring swing	PE plastic	1
6	leg support	plastic	2
7	handle	plastic	2
8	ground fixing	galvanized steel	1
9	woodscrew 6 x 60	galvanized steel	2

UNLESS OTHERWISE SPECIFIED:
DIMENSIONS ARE IN MILLIMETERS
WEIGHT ARE IN KILOGRAMM

PART NUMBER / DWG NO.:

VLO39

	NAME	SIGNATURE	DATE	REVISION
DRAWN	M.Rebase		29.05.2015	
APPV'D				

DESCRIPTION:

Spring swing WILBUR

MATERIAL:

wood, metal, plastic

A4

WEIGHT:

SCALE: 1:10

SHEET 5 OF 5



Tiptiptap OÜ

Tiptiptap OÜ
Veetorni 9,
Jüri alevik, Rae vald,
75301 Harjumaa