

A

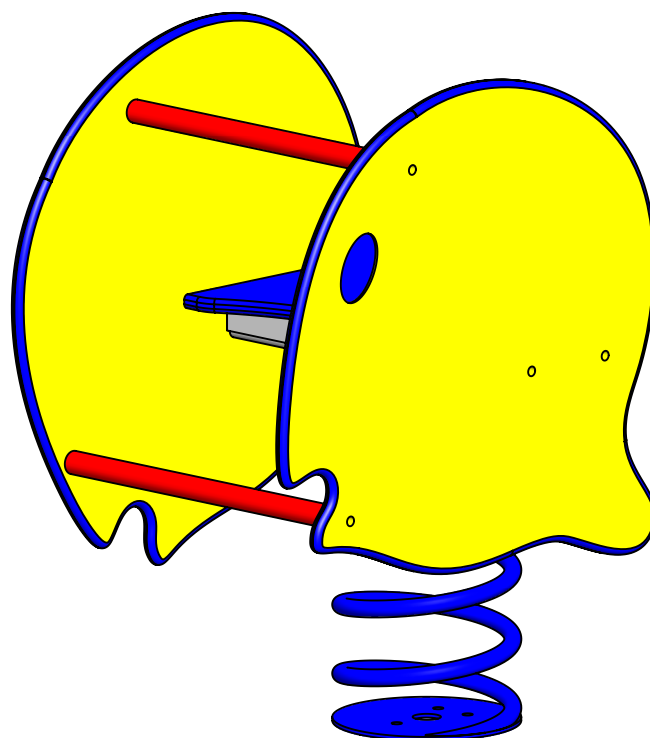
B

C

D

E

F



UNLESS OTHERWISE SPECIFIED:  
DIMENSIONS ARE IN MILLIMETERS  
WEIGHT ARE IN KILOGRAMM

PART NUMBER / DWG NO.:

VLO38

	NAME	SIGNATURE	DATE	REVISION
DRAWN	M.Rebase		29.07.2014	
APPV'D				

DESCRIPTION:

Spring swing CORA



**Tiptaptap** OÜ

Tiptaptap OÜ  
Veetorni 9,  
Jüri alevik, Rae vald,  
75301 Harjumaa

MATERIAL:

wood, metal, plastic

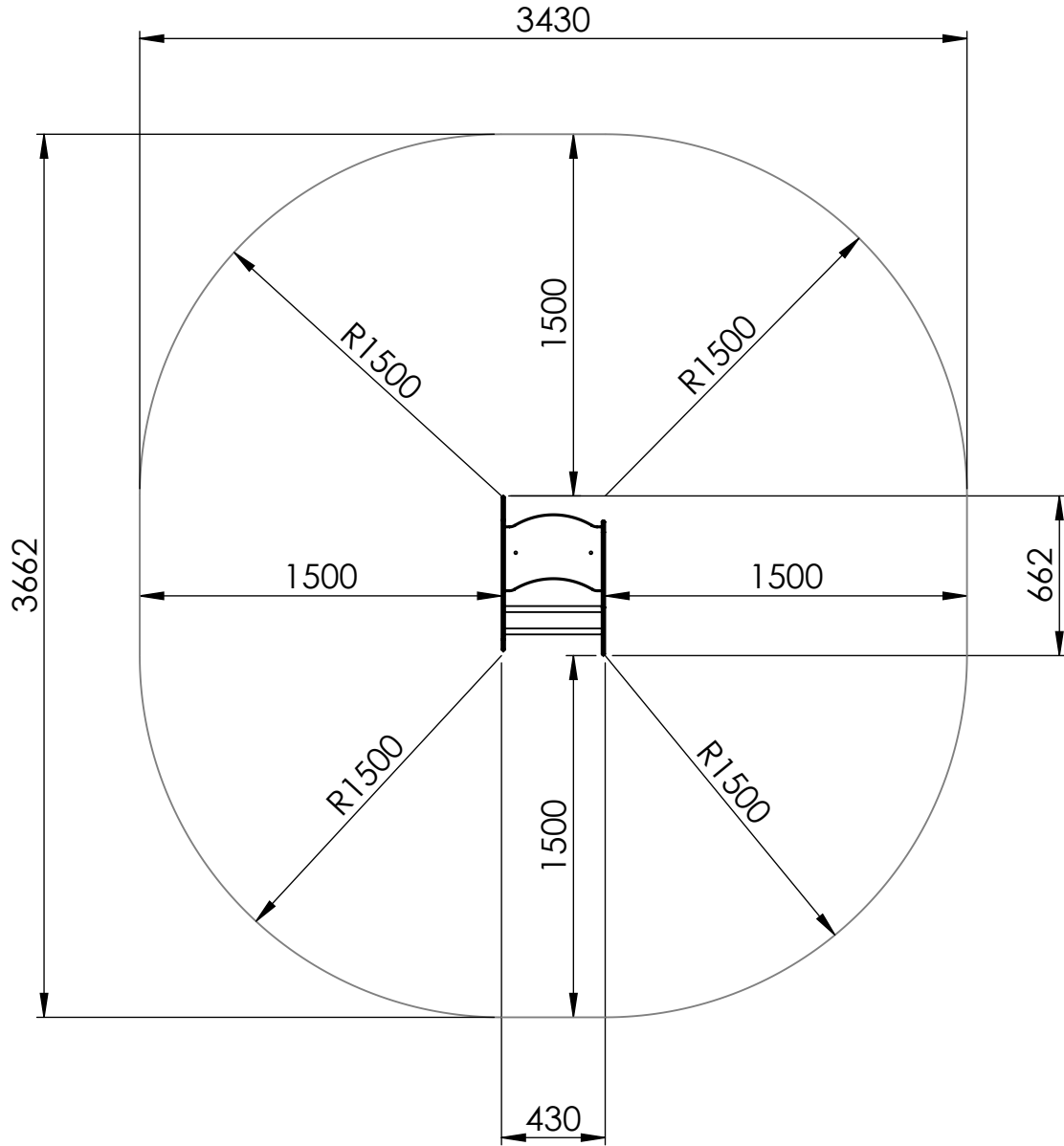
A4

WEIGHT:

SCALE: 1:8

SHEET 1 OF 5

# safety area



UNLESS OTHERWISE SPECIFIED:  
DIMENSIONS ARE IN MILLIMETERS  
WEIGHT ARE IN KILOGRAMM

PART NUMBER / DWG NO.:

VLO38

	NAME	SIGNATURE	DATE	REVISION
DRAWN	M.Rebase		29.07.2014	
APPV'D				

DESCRIPTION:

Spring swing CORA



**Tiptaptap** OÜ

Tiptaptap OÜ  
Veetorni 9,  
Jüri alevik, Rae vald,  
75301 Harjumaa

MATERIAL:

wood, metal, plastic

A4

WEIGHT:

SCALE: 1:30

SHEET 2 OF 5

# foundation

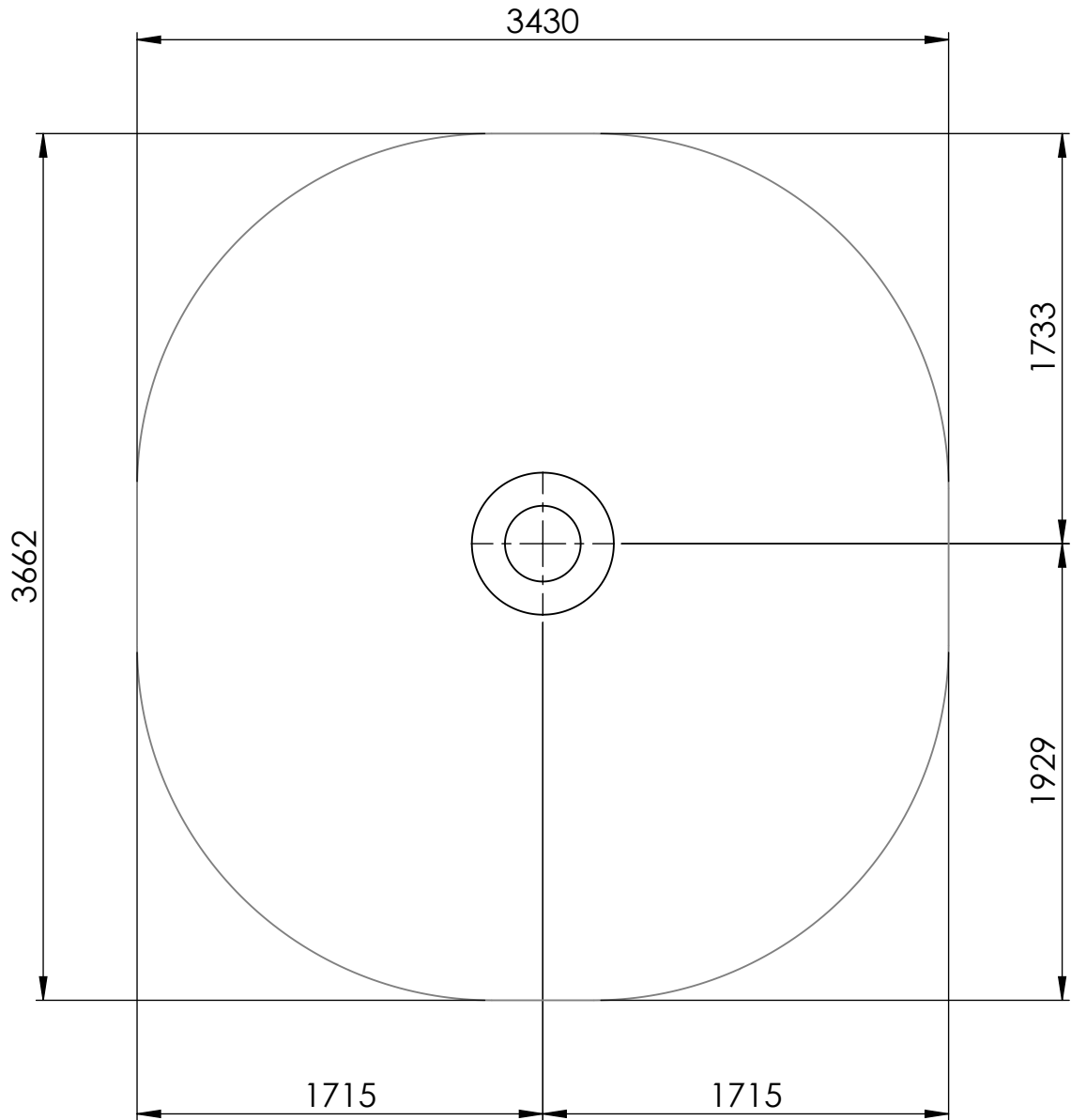
A

B

C

D

E



depth of foundation 500mm

UNLESS OTHERWISE SPECIFIED:  
DIMENSIONS ARE IN MILLIMETERS  
WEIGHT ARE IN KILOGRAMM

PART NUMBER / DWG NO.:

VLO38

	NAME	SIGNATURE	DATE	REVISION
DRAWN	M.Rebase		29.07.2014	
APPV'D				

DESCRIPTION:

Spring swing CORA

F



**Tiptaptap** OÜ

Tiptaptap OÜ  
Veetorni 9,  
Jüri alevik, Rae vald,  
75301 Harjumaa

MATERIAL:

wood, metal, plastic

A4

WEIGHT:

SCALE: 1:30

SHEET 3 OF 5

A

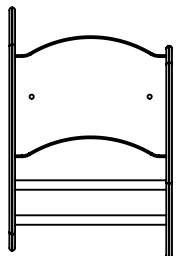
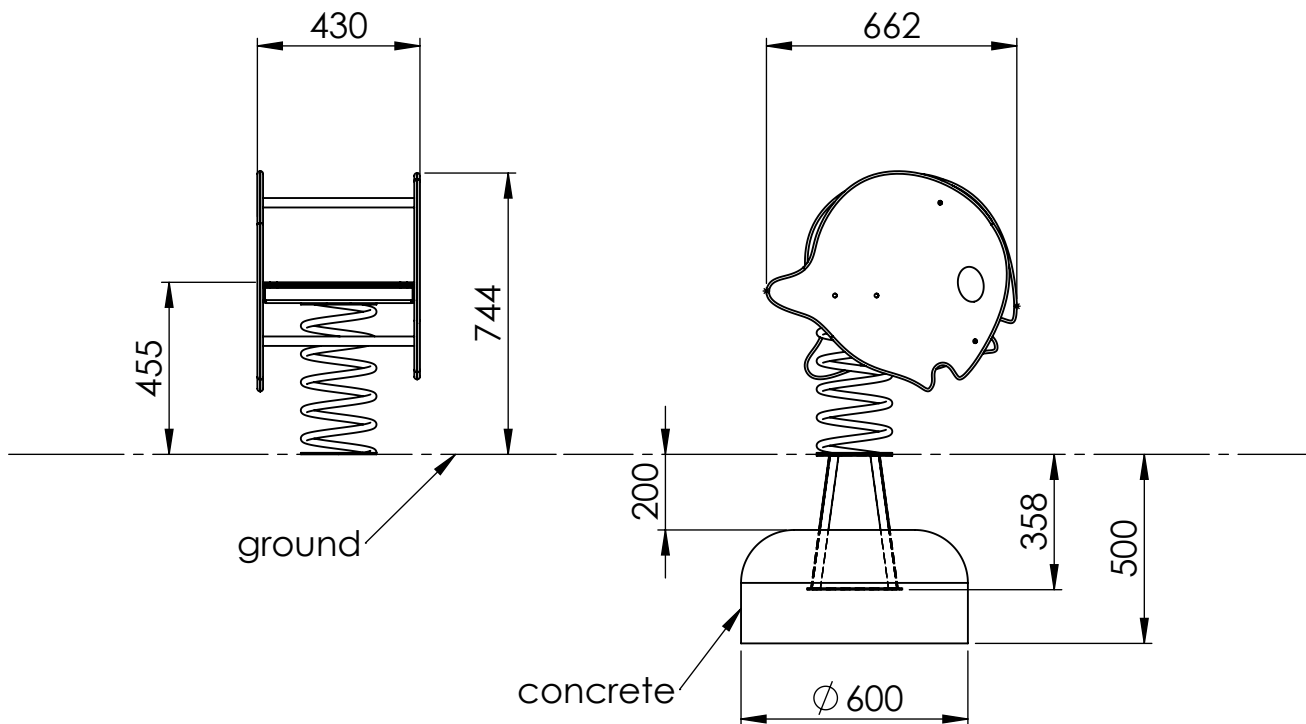
B

C

D

E

F



UNLESS OTHERWISE SPECIFIED:  
 DIMENSIONS ARE IN MILLIMETERS  
 WEIGHT ARE IN KILOGRAMM

PART NUMBER / DWG NO.:

VLO38

	NAME	SIGNATURE	DATE	REVISION
DRAWN	M.Rebase		29.07.2014	
APPV'D				

DESCRIPTION:

Spring swing CORA



**Tiptaptap** OÜ

Tiptaptap OÜ  
 Veetorni 9,  
 Jüri alevik, Rae vald,  
 75301 Harjumaa

MATERIAL:

wood, metal, plastic

A4

WEIGHT:

SCALE: 1:20

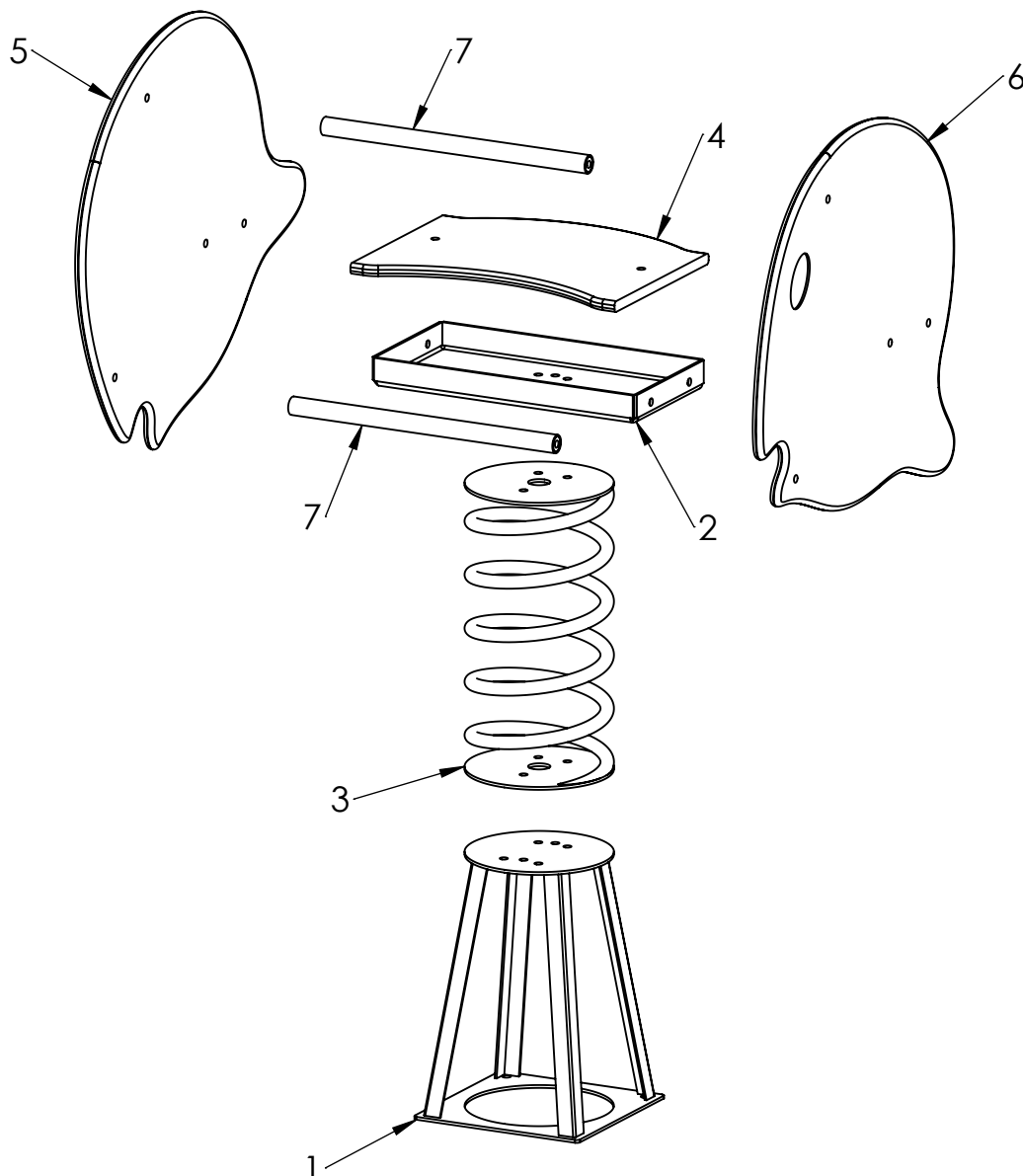
SHEET 4 OF 5

A

B

C

D



ITEM NO.	PART NUMBER	DESCRIPTION	QTY.
1	ground fixing	galvanized steel	1
2	central console	galvanized steel	1
3	spring with spring disk	painted steel	1
4	seat for spring swing	PE plastic	1
5	left base board	PE plastic	1
6	right base board	PE plastic	1
7	tube D25	painted steel	2

UNLESS OTHERWISE SPECIFIED:  
DIMENSIONS ARE IN MILLIMETERS  
WEIGHT ARE IN KILOGRAMM

PART NUMBER / DWG NO.:

VLO38

	NAME	SIGNATURE	DATE	REVISION
DRAWN	M.Rebase		29.07.2014	
APPV'D				

DESCRIPTION:

Spring swing CORA

F



**Tiptaptap** OÜ

Tiptaptap OÜ  
Veetorni 9,  
Jüri alevik, Rae vald,  
75301 Harjumaa

MATERIAL:

wood, metal, plastic

A4

WEIGHT:

SCALE: 1:10

SHEET 5 OF 5