

A

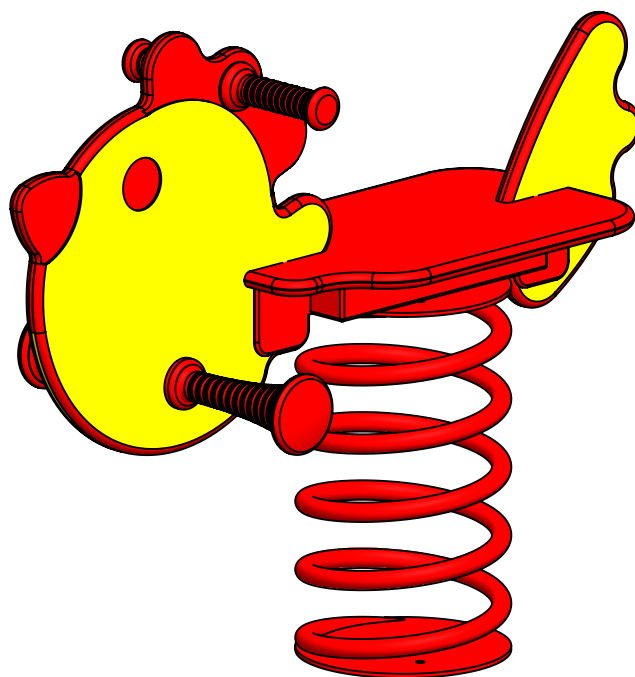
B

C

D

E

F



UNLESS OTHERWISE SPECIFIED:  
DIMENSIONS ARE IN MILLIMETERS  
WEIGHT ARE IN KILOGRAMM

PART NUMBER / DWG NO.:

VLO37

	NAME	SIGNATURE	DATE	REVISION
DRAWN	M.Rebase		29.05.2015	
APPV'D				

DESCRIPTION:

Spring swing TIBBY



**Tiptaptap** OÜ

Tiptaptap OÜ  
Veetorni 9,  
Jüri alevik, Rae vald,  
75301 Harjumaa

MATERIAL:

wood, metal, plastic

A4

WEIGHT:

SCALE: 1:7

SHEET 1 OF 5

safety area

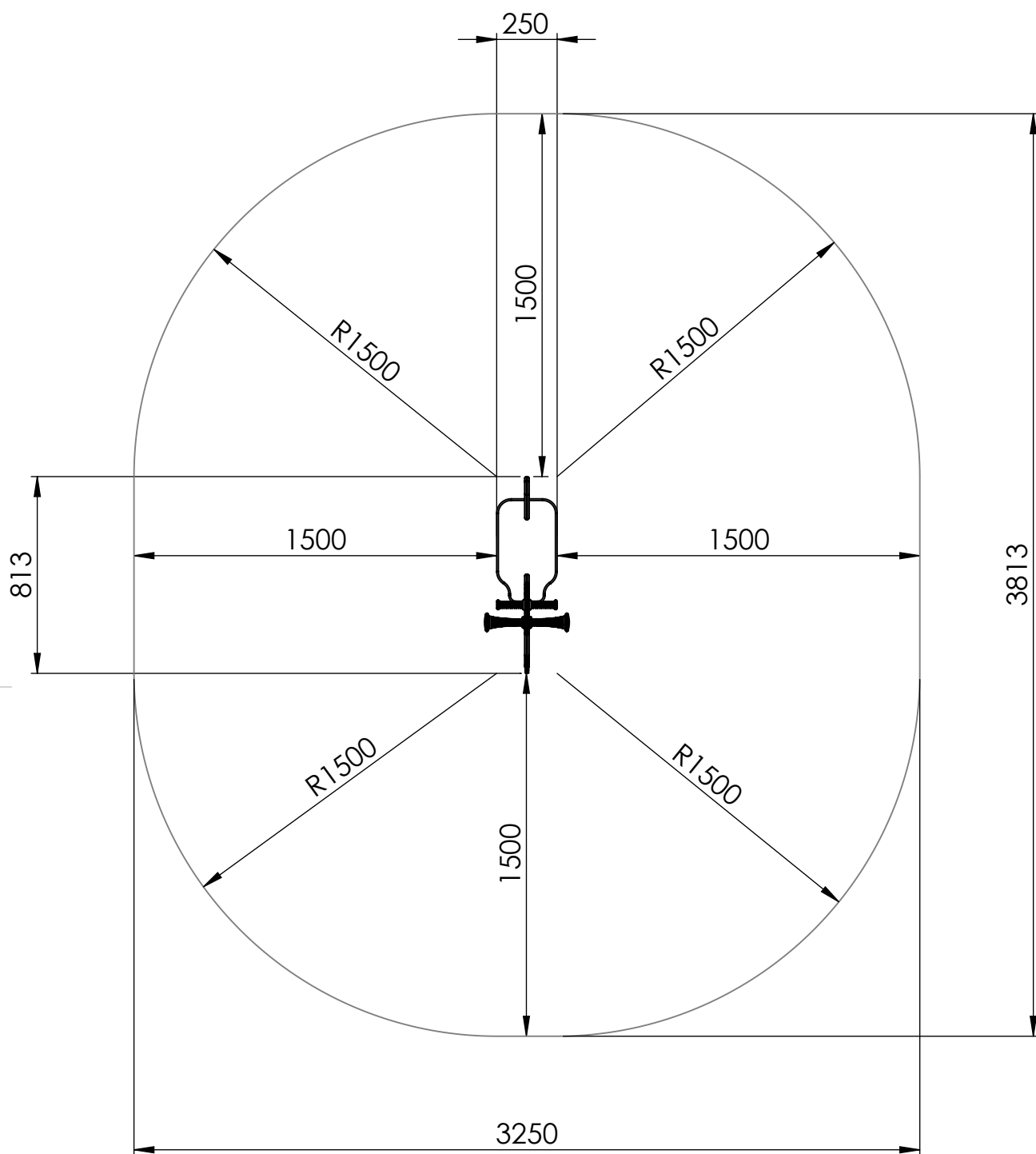
A

B

C

D

E



UNLESS OTHERWISE SPECIFIED: DIMENSIONS ARE IN MILLIMETERS WEIGHT ARE IN KILOGRAMM				
	NAME	SIGNATURE	DATE	REVISION
DRAWN	M.Rebase		29.05.2015	
APPV'D				

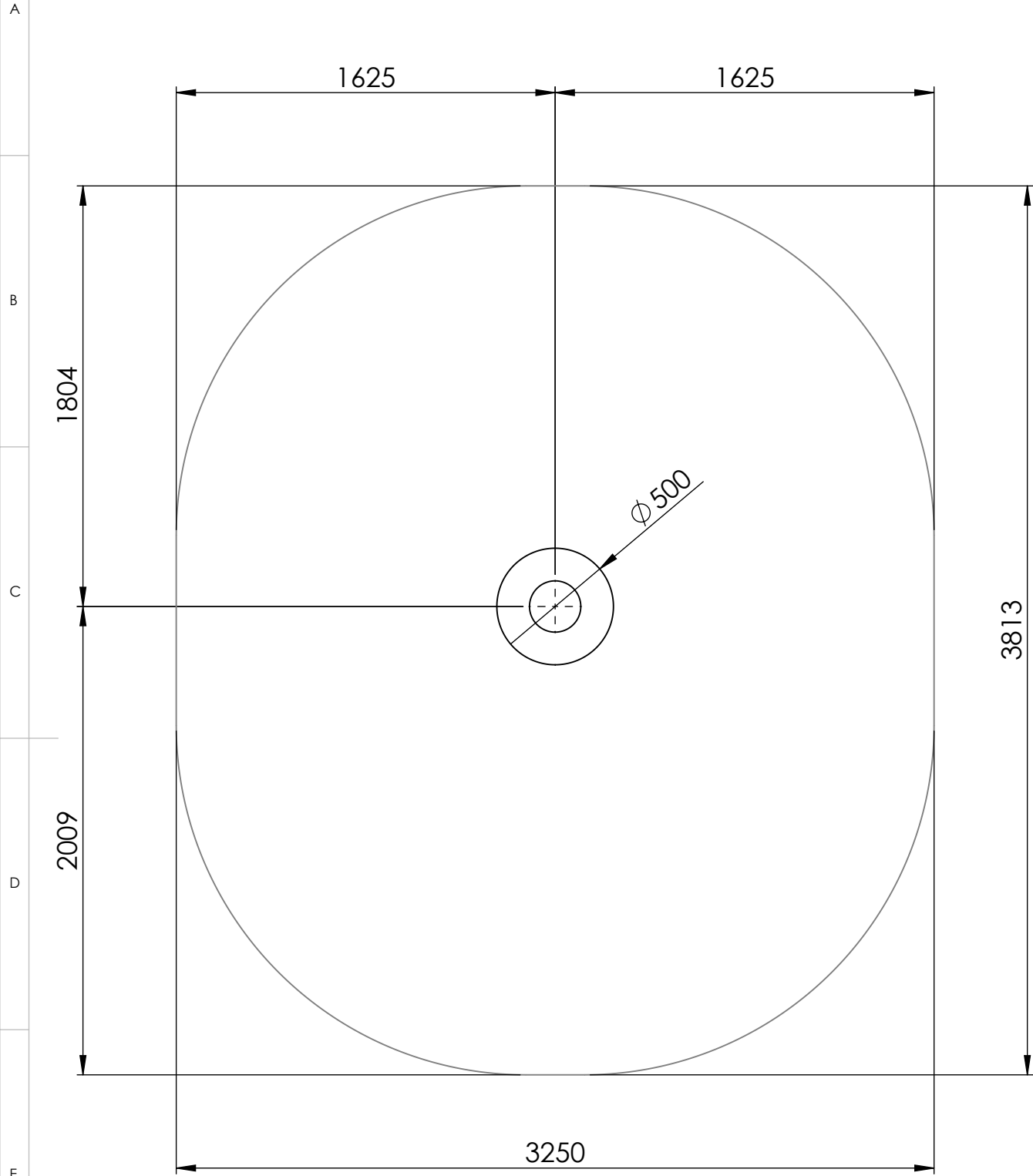
PART NUMBER / DWG NO.:	VLO37
DESCRIPTION:	Spring swing TIBBY



**Tiptaptap** OÜ  
Veetorni 9,  
Jüri alevik, Rae vald,  
75301 Harjumaa

MATERIAL:	wood, metal, plastic	A4
WEIGHT:		SCALE: 1:25
		SHEET 2 OF 5

# foundation



depth of foundation 500mm

UNLESS OTHERWISE SPECIFIED:  
DIMENSIONS ARE IN MILLIMETERS  
WEIGHT ARE IN KILOGRAMM

PART NUMBER / DWG NO.:

VLO37

	NAME	SIGNATURE	DATE	REVISION
DRAWN	M.Rebase		29.05.2015	
APPV'D				

DESCRIPTION:

Spring swing TIBBY



**Tiptaptap** OÜ

Tiptaptap OÜ  
Veetorni 9,  
Jüri alevik, Rae vald,  
75301 Harjumaa

MATERIAL:

wood, metal, plastic

A4

WEIGHT:

SCALE: 1:25

SHEET 3 OF 5

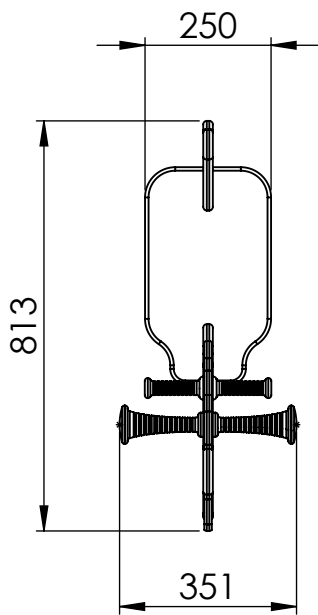
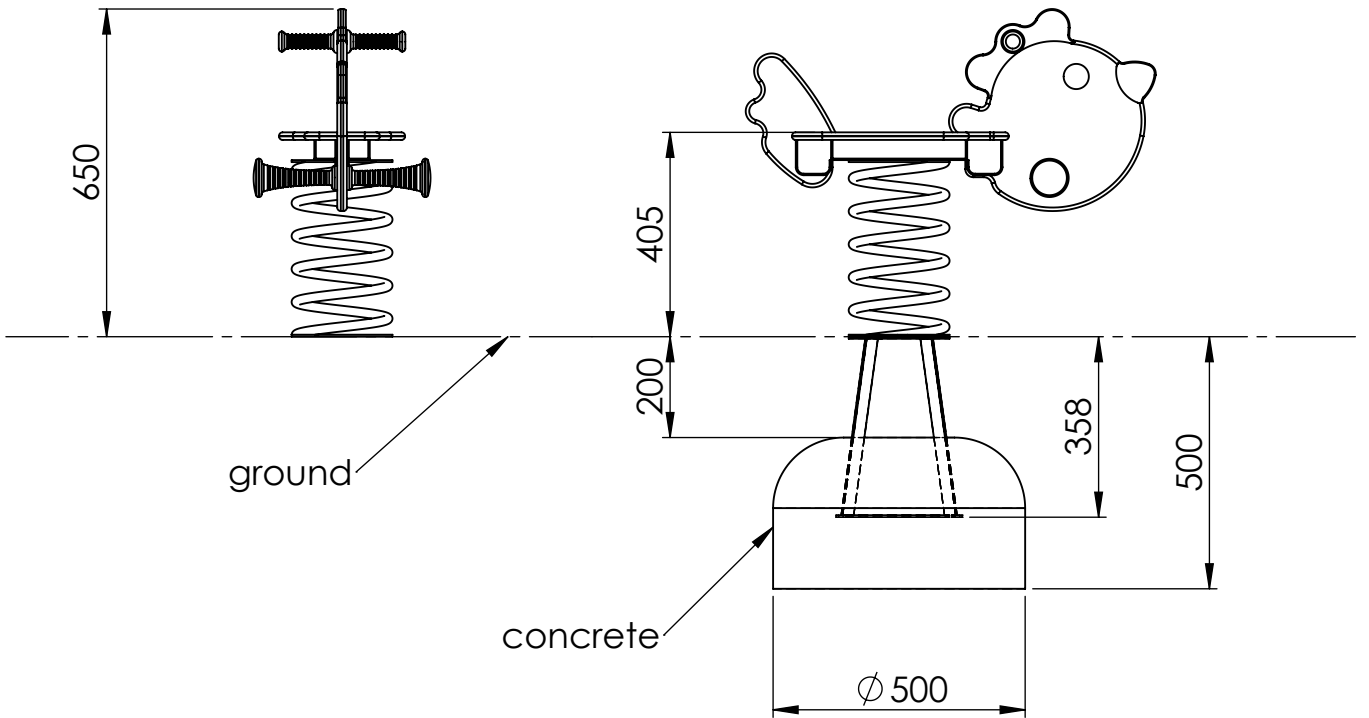
A

B

C

D

E



UNLESS OTHERWISE SPECIFIED:  
DIMENSIONS ARE IN MILLIMETERS  
WEIGHT ARE IN KILOGRAMM

PART NUMBER / DWG NO.:

VLO37

	NAME	SIGNATURE	DATE	REVISION
DRAWN	M.Rebase		29.05.2015	
APPV'D				

DESCRIPTION:

Spring swing TIBBY



**Tiptaptap** OÜ

Tiptaptap OÜ  
Veetorni 9,  
Jüri alevik, Rae vald,  
75301 Harjumaa

MATERIAL:

wood, metal, plastic

A4

WEIGHT:

SCALE: 1:15

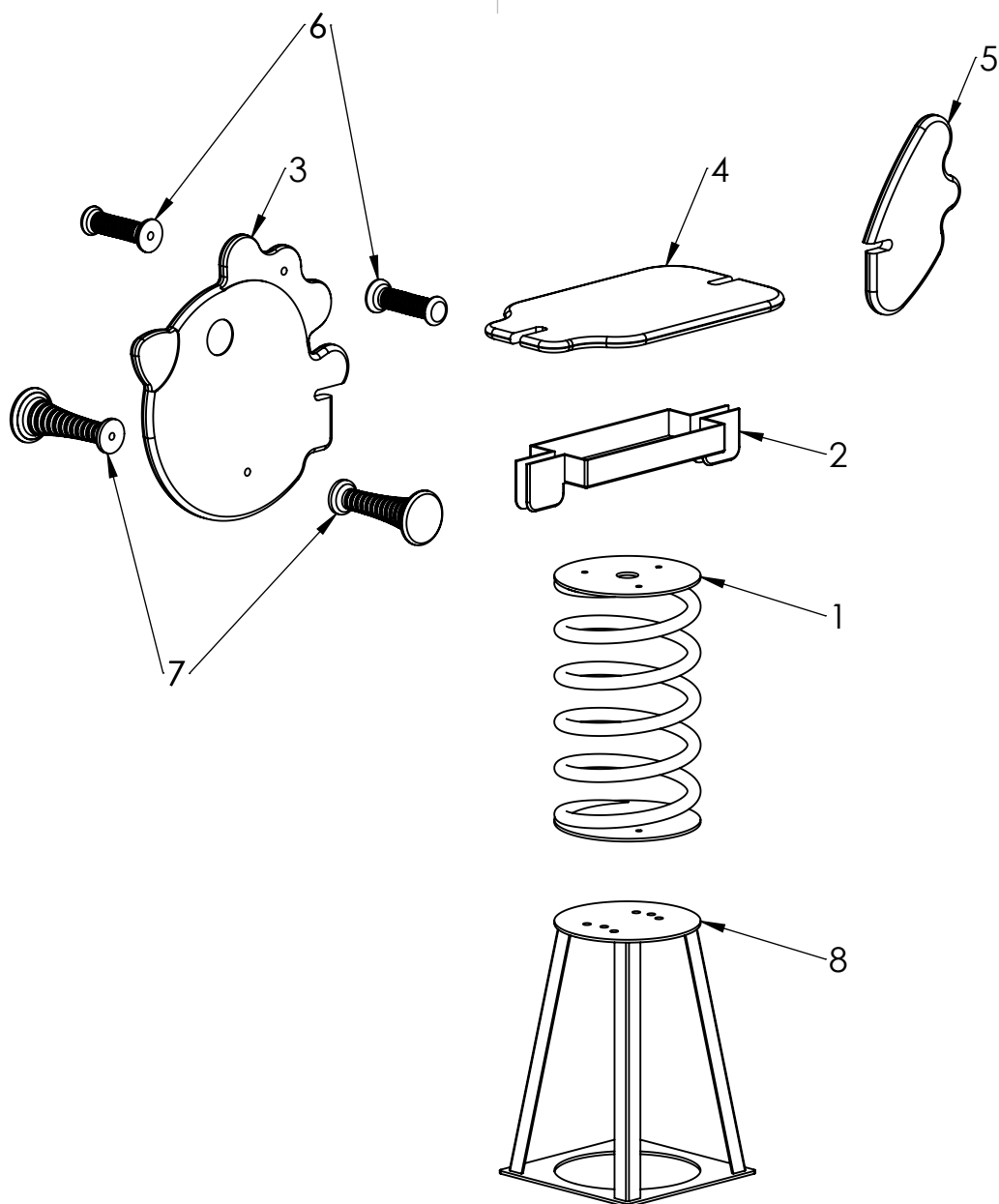
SHEET 4 OF 5

A

B

C

D



ITEM NO.	PART NUMBER	DESCRIPTION	QTY.
1	spring with springdisk	painted steel	1
2	central console	painted steel	1
3	head for spring swing	PE plastic	1
4	seat for spring swing	PE plastic	1
5	tail for spring swing	PE plastic	1
6	handle	plastic	2
7	leg support	plastic	2
8	ground fixing	galvanized steel	1

UNLESS OTHERWISE SPECIFIED:  
DIMENSIONS ARE IN MILLIMETERS  
WEIGHT ARE IN KILOGRAMM

PART NUMBER / DWG NO.:

VLO37

	NAME	SIGNATURE	DATE	REVISION
DRAWN	M.Rebase		29.05.2015	
APPV'D				

DESCRIPTION:

Spring swing TIBBY

MATERIAL:

wood, metal, plastic

A4

WEIGHT:

SCALE: 1:10

SHEET 5 OF 5



**Tiptiptap** OÜ

Tiptiptap OÜ  
Veetorni 9,  
Jüri alevik, Rae vald,  
75301 Harjumaa