

A

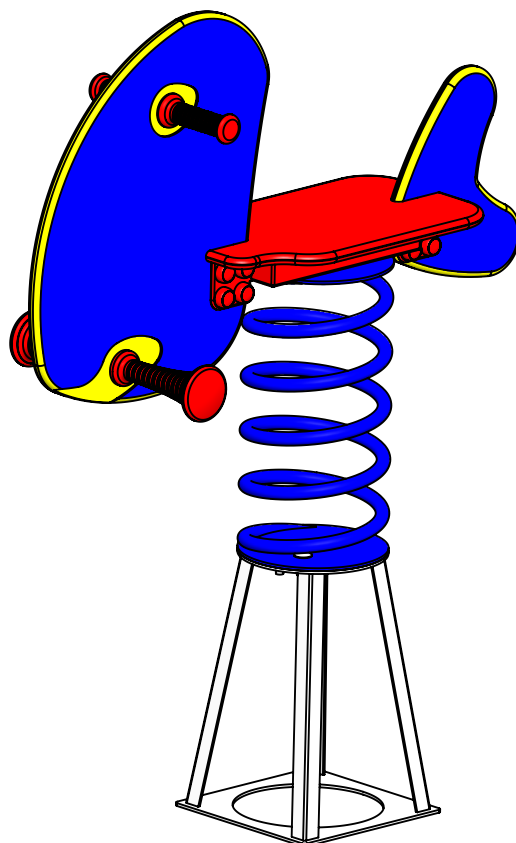
B

C

D

E

F



UNLESS OTHERWISE SPECIFIED:  
DIMENSIONS ARE IN MILLIMETERS  
WEIGHT ARE IN KILOGRAMM

PART NUMBER / DWG NO.:

VLO35

	NAME	SIGNATURE	DATE	REVISION
DRAWN	R.Komp		15.02.2018	
APPV'D				

DESCRIPTION:

spring swing MOBI



**Tiptiptap** OÜ

Tiptiptap OÜ  
Veetorni 9,  
Jüri alevik, Rae vald,  
75301 Harjumaa

MATERIAL:

wood, metal, plastic

A4

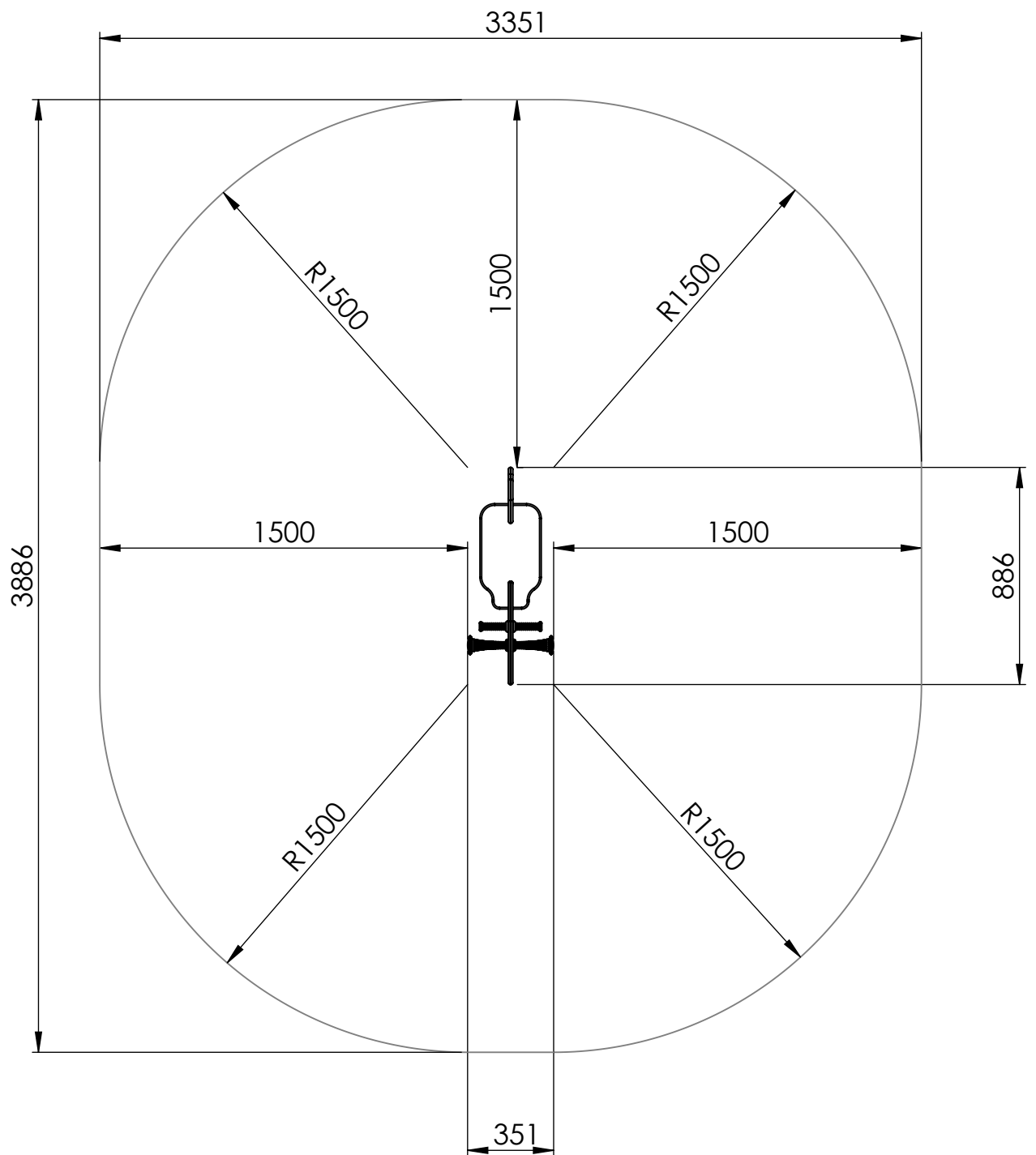
WEIGHT:

SCALE: 1:10

SHEET 1 OF 5

# safety area

A  
B  
C  
D  
E



UNLESS OTHERWISE SPECIFIED: DIMENSIONS ARE IN MILLIMETERS WEIGHT ARE IN KILOGRAMM				
	NAME	SIGNATURE	DATE	REVISION
DRAWN	R.Komp		15.02.2018	
APPV'D				

PART NUMBER / DWG NO.:	VLO35
DESCRIPTION:	spring swing MOBI


**Tiptaptap** OÜ  
 Veetorni 9,  
 Jüri alevik, Rae vald,  
 75301 Harjumaa

MATERIAL:	wood, metal, plastic	A4
WEIGHT:	SCALE: 1:25	SHEET 2 OF 5

# foundation

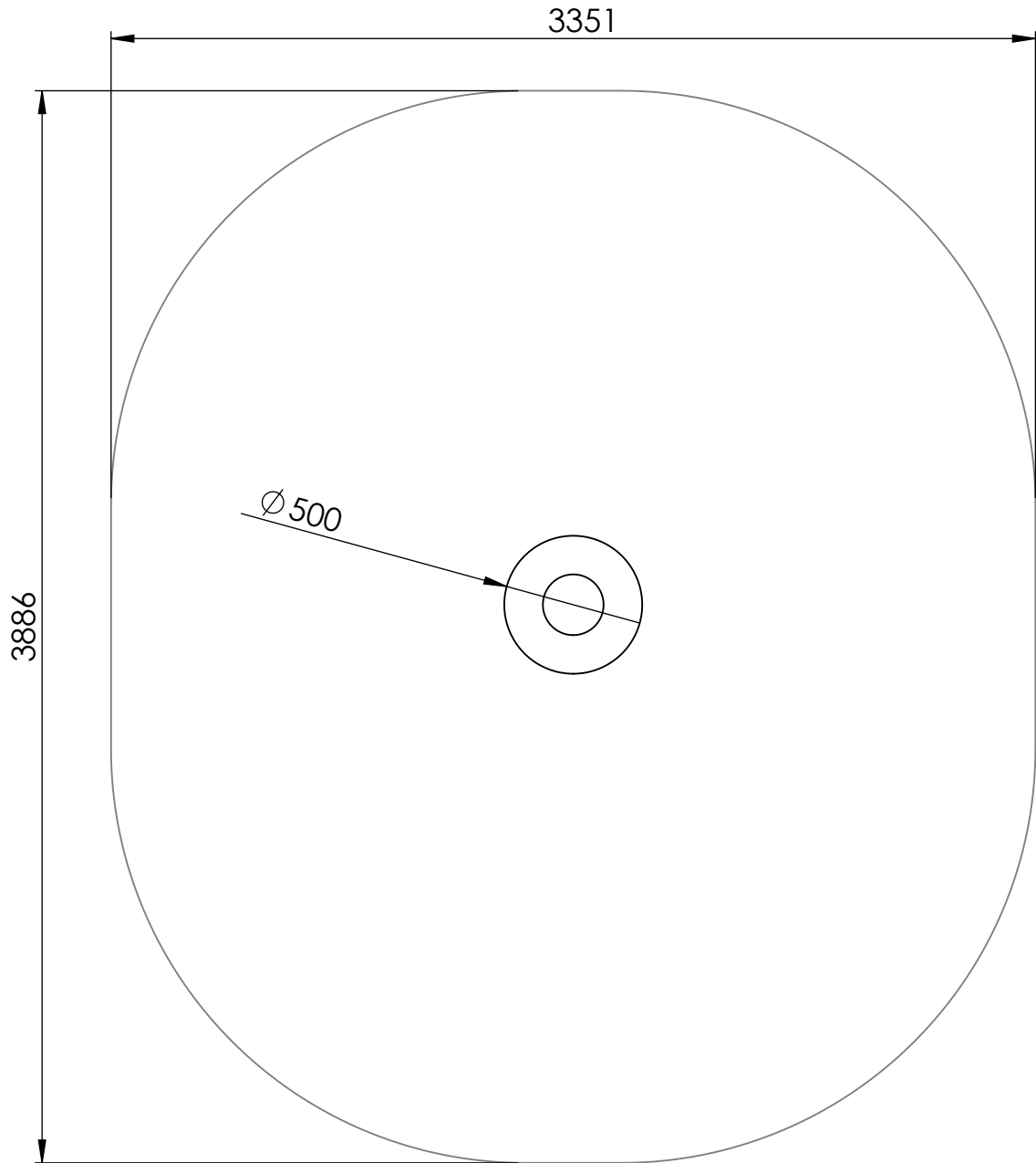
A

B

C

D

E



UNLESS OTHERWISE SPECIFIED:  
DIMENSIONS ARE IN MILLIMETERS  
WEIGHT ARE IN KILOGRAMM

PART NUMBER / DWG NO.:

VLO35

	NAME	SIGNATURE	DATE	REVISION
DRAWN	R.Komp		15.02.2018	
APPV'D				

DESCRIPTION:

spring swing MOBI

F



**Tiptaptap** OÜ

Tiptaptap OÜ  
Veetorni 9,  
Jüri alevik, Rae vald,  
75301 Harjumaa

MATERIAL:

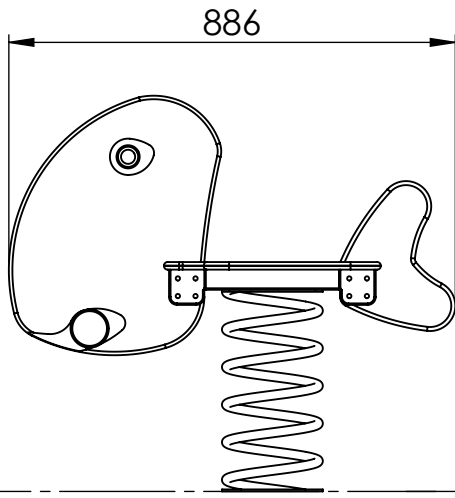
wood, metal, plastic

A4

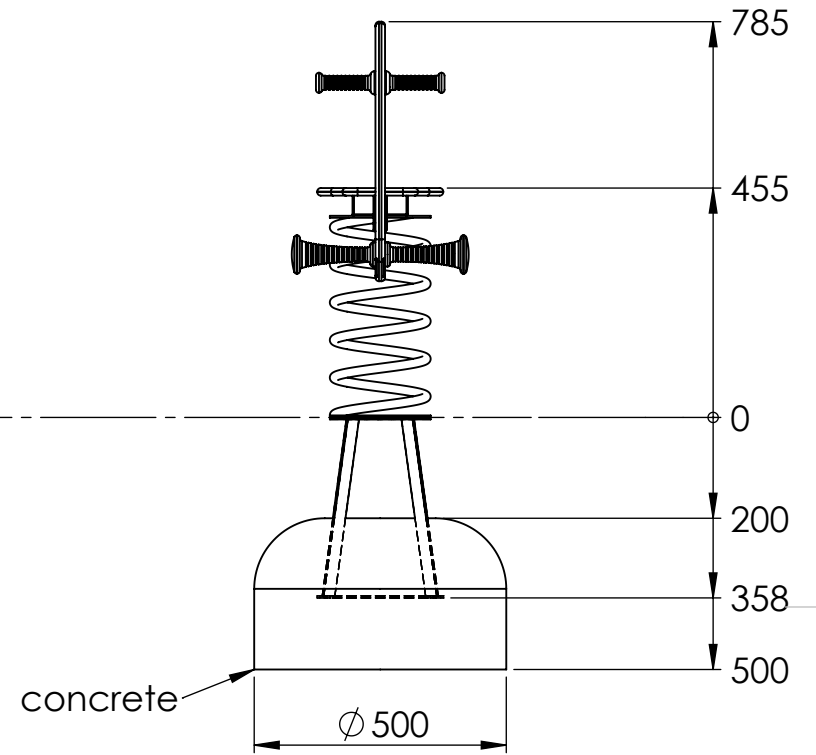
WEIGHT:

SCALE: 1:25

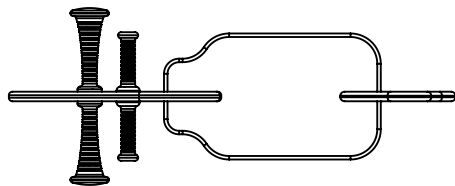
SHEET 3 OF 5



ground



concrete



UNLESS OTHERWISE SPECIFIED:  
DIMENSIONS ARE IN MILLIMETERS  
WEIGHT ARE IN KILOGRAMM

	NAME	SIGNATURE	DATE	REVISION
DRAWN	R.Komp		15.02.2018	
APPV'D				

PART NUMBER / DWG NO.:  
**VLO35**

DESCRIPTION:  
**spring swing MOBI**



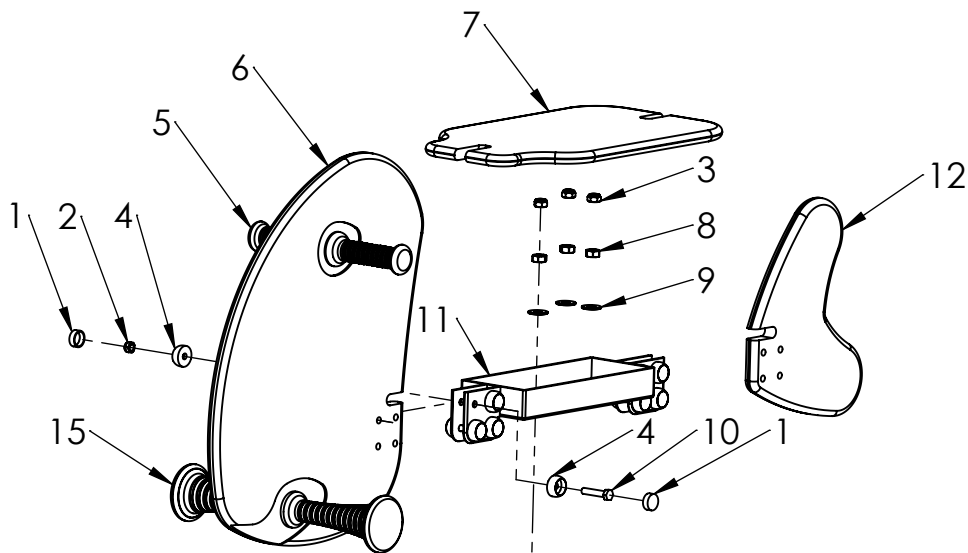
**Tiptiptap** OÜ  
Tiptiptap OÜ  
Veetorni 9,  
Jüri alevik, Rae vald,  
75301 Harjumaa

MATERIAL: wood, metal, plastic

A4

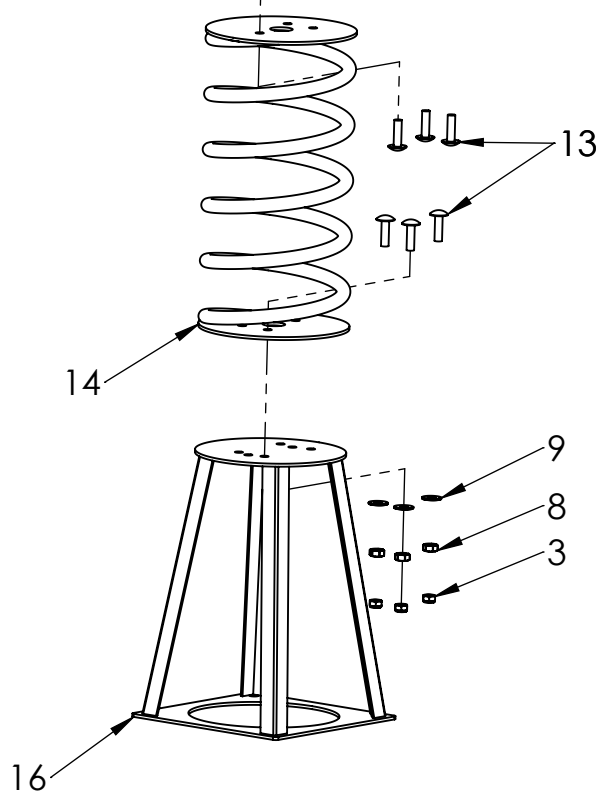
WEIGHT: SCALE: 1:15 SHEET 4 OF 5

A



B

C



D

E

ITEM NO.	PART NUMBER
1	nut cover cap M8
2	nut DIN985 M8
3	nut DIN985 M10
4	nut cover M8
5	handle
6	head for spring swing
7	seat for spring swing
8	nut DIN 934 M10
9	washer DIN9054 M10
10	bolt DIN933 M8x40
11	central console
12	tail for spring swing
13	bolt DIN603 M10x35
14	spring with spring disk (D=200mm)
15	leg support
16	ground fixing

UNLESS OTHERWISE SPECIFIED:  
DIMENSIONS ARE IN MILLIMETERS  
WEIGHT ARE IN KILOGRAMM

PART NUMBER / DWG NO.:

VLO35

	NAME	SIGNATURE	DATE	REVISION
DRAWN	R.Komp		15.02.2018	
APPV'D				

DESCRIPTION:

spring swing MOBI

F



**Tiptaptap** OÜ

Tiptaptap OÜ  
Veetorni 9,  
Jüri alevik, Rae vald,  
75301 Harjumaa

MATERIAL:

wood, metal, plastic

A4

WEIGHT:

SCALE: 1:10

SHEET 5 OF 5