

A

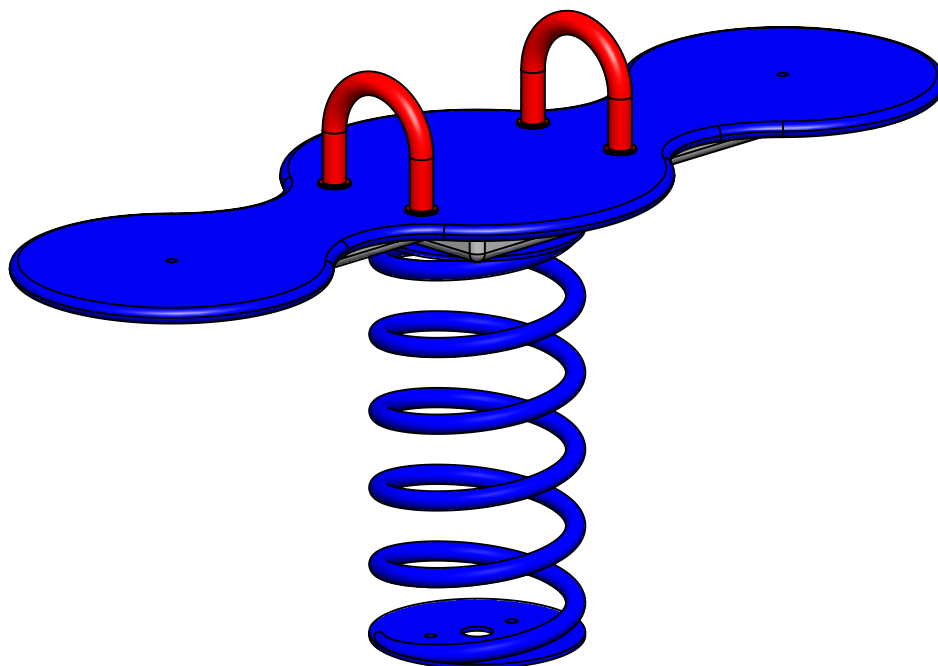
B

C

D

E

F



UNLESS OTHERWISE SPECIFIED:  
 DIMENSIONS ARE IN MILLIMETERS  
 WEIGHT ARE IN KILOGRAMM

PART NUMBER / DWG NO.:  
**VLI49**

	NAME	SIGNATURE	DATE	REVISION
DRAWN	M.Rebase		29.07.2014	
APPV'D				

DESCRIPTION:  
**Spring swing DUO**



**Tiptiptap** OÜ

Tiptiptap OÜ  
 Veetorni 9,  
 Jüri alevik, Rae vald,  
 75301 Harjumaa

MATERIAL: metal, plastic

A4

WEIGHT: SCALE: 1:7 SHEET 1 OF 5

# safety area

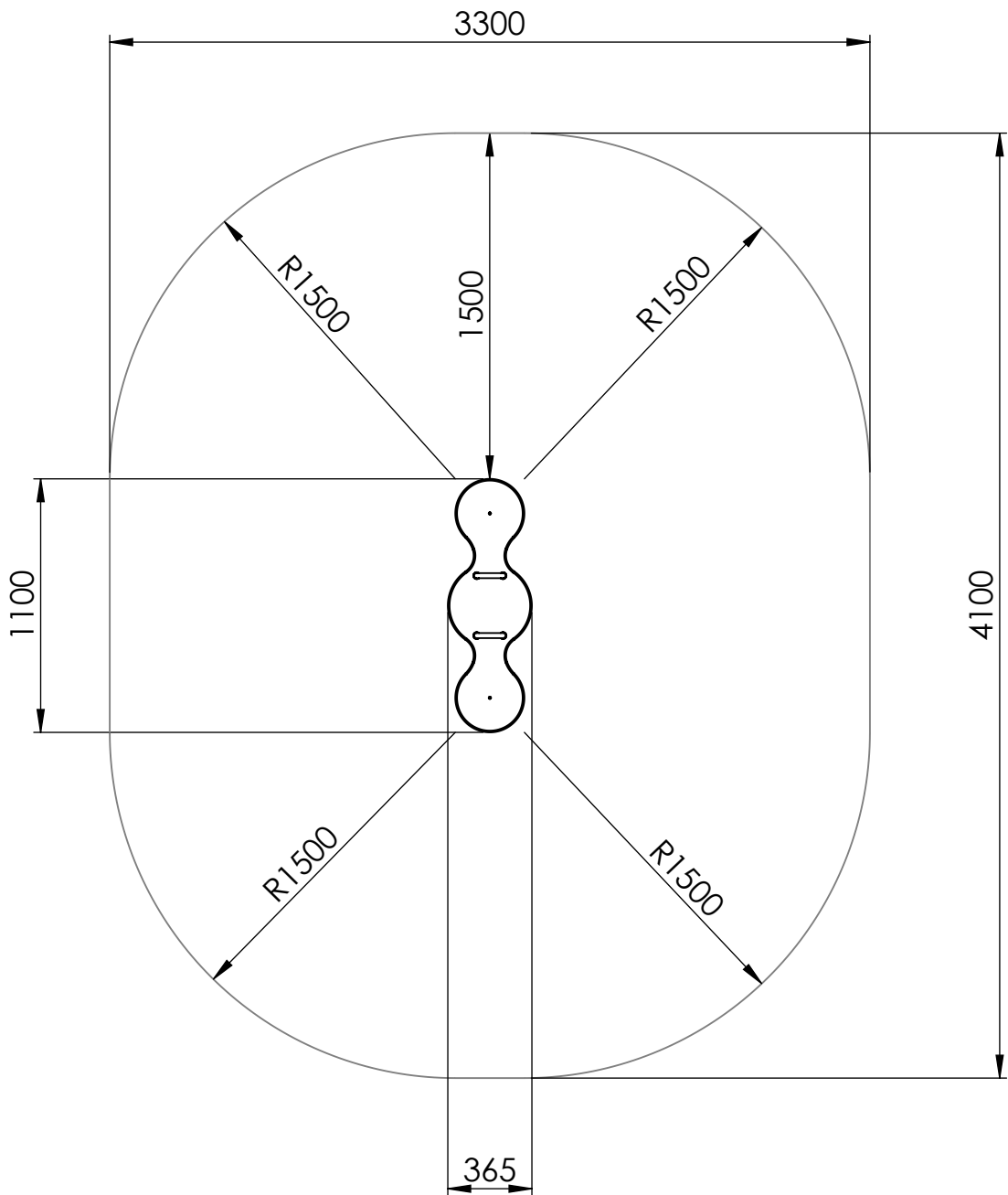
A

B

C

D

E



UNLESS OTHERWISE SPECIFIED: DIMENSIONS ARE IN MILLIMETERS WEIGHT ARE IN KILOGRAMM				
	NAME	SIGNATURE	DATE	REVISION
DRAWN	M.Rebase		29.07.2014	
APPV'D				

PART NUMBER / DWG NO.:	VLI49
DESCRIPTION:	Spring swing DUO


**Tiptaptap** OÜ  
 Veetorni 9,  
 Jüri alevik, Rae vald,  
 75301 Harjumaa

MATERIAL:	metal, plastic	A4
WEIGHT:	SCALE: 1:30	SHEET 2 OF 5

# foundation

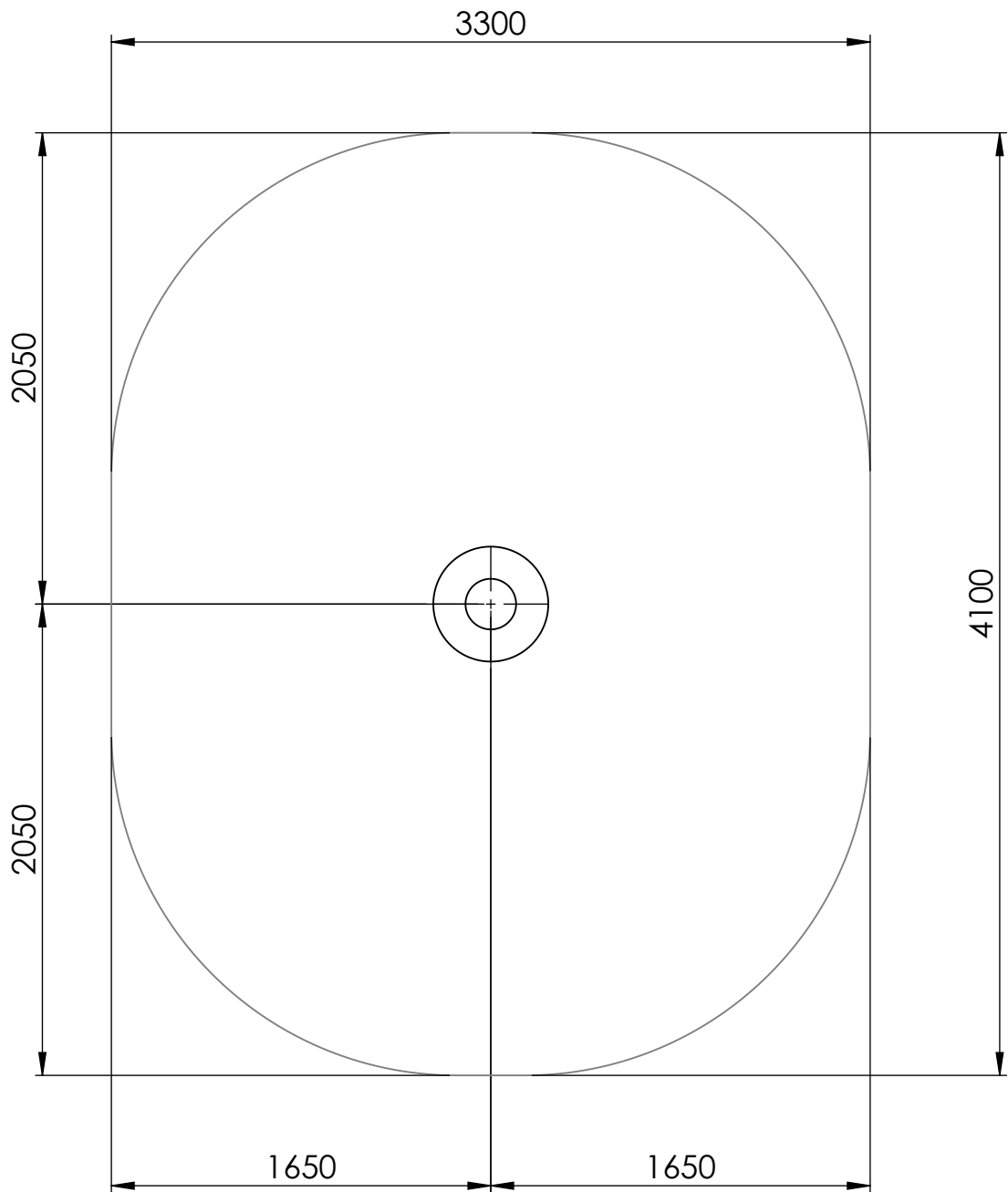
A

B

C

D

E



UNLESS OTHERWISE SPECIFIED:  
DIMENSIONS ARE IN MILLIMETERS  
WEIGHT ARE IN KILOGRAMM

PART NUMBER / DWG NO.:

VLI49

	NAME	SIGNATURE	DATE	REVISION
DRAWN	M.Rebase		29.07.2014	
APPV'D				

DESCRIPTION:

Spring swing DUO

F



**Tiptaptap** OÜ

Tiptaptap OÜ  
Veetorni 9,  
Jüri alevik, Rae vald,  
75301 Harjumaa

MATERIAL:

metal, plastic

A4

WEIGHT:

SCALE: 1:30

SHEET 3 OF 5

1

2

3

4

A

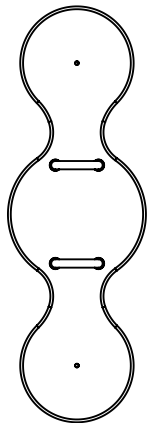
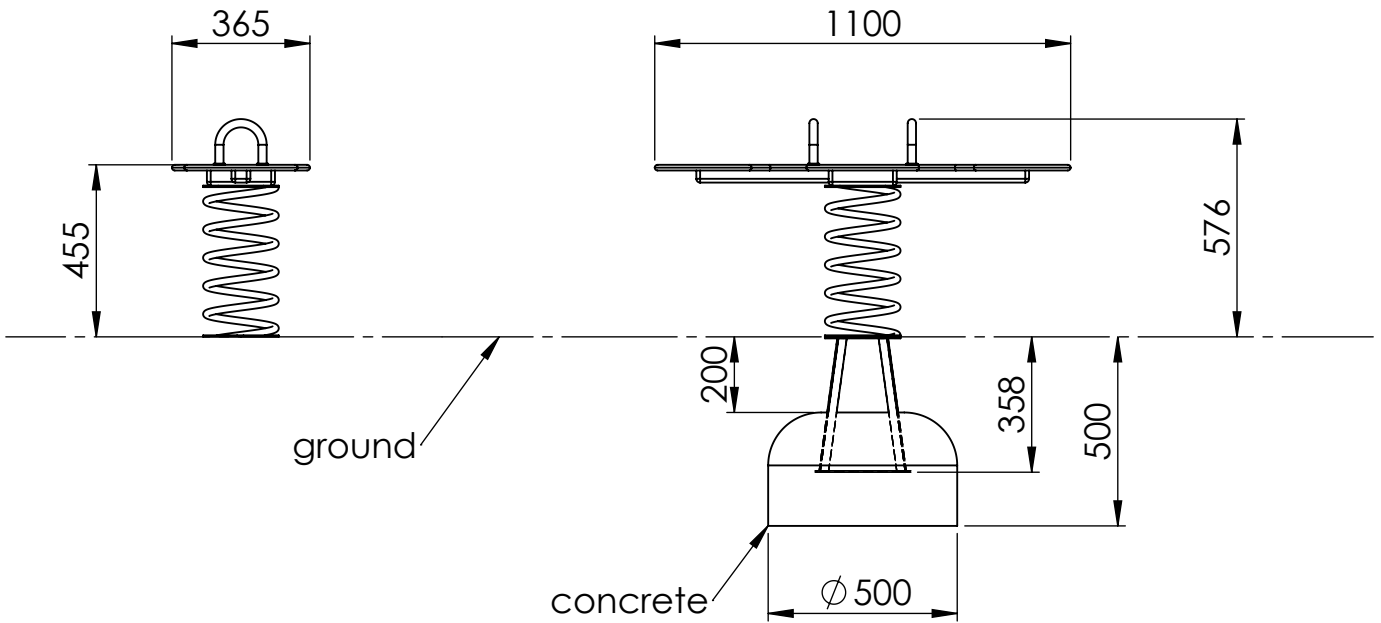
B

C

D

E

F



UNLESS OTHERWISE SPECIFIED:  
DIMENSIONS ARE IN MILLIMETERS  
WEIGHT ARE IN KILOGRAMM

PART NUMBER / DWG NO.:

VLI49

	NAME	SIGNATURE	DATE	REVISION
DRAWN	M.Rebase		29.07.2014	
APPV'D				

DESCRIPTION:

Spring swing DUO



**Tiptiptap** OÜ

Tiptiptap OÜ  
Veetorni 9,  
Jüri alevik, Rae vald,  
75301 Harjumaa

MATERIAL:

metal, plastic

A4

WEIGHT:

SCALE: 1:20

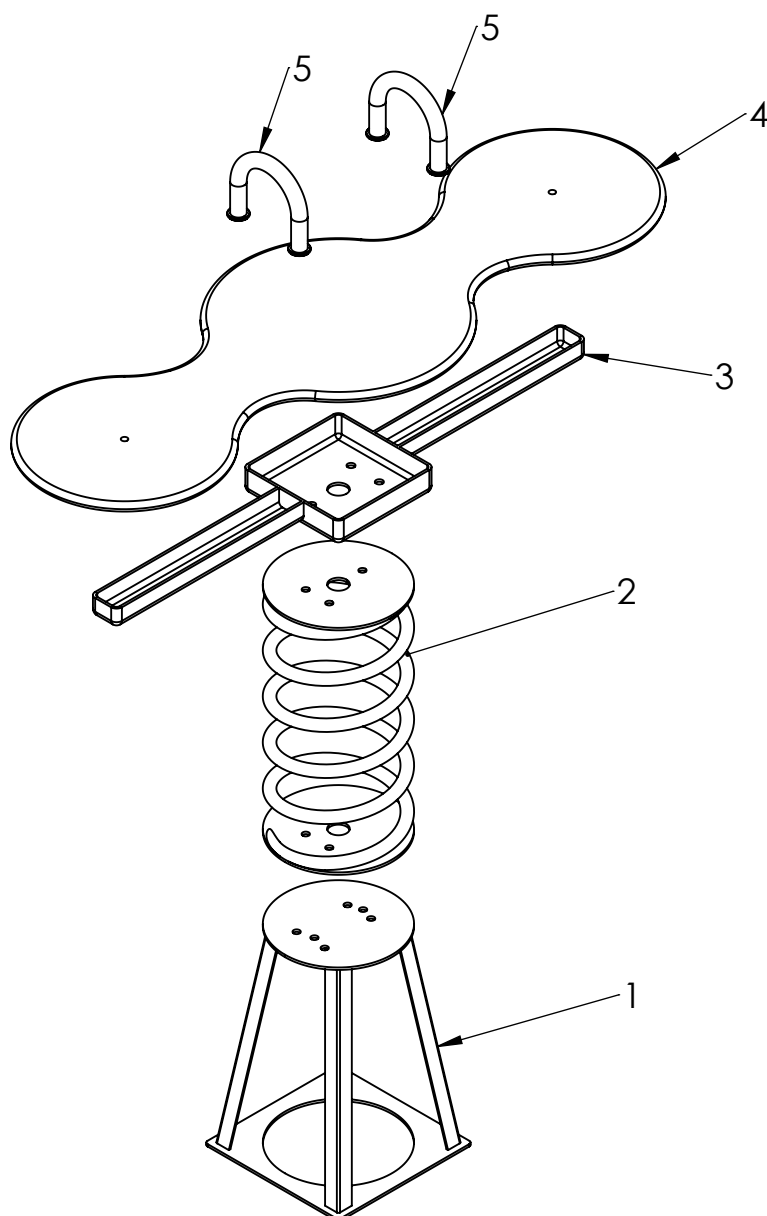
SHEET 4 OF 5

A

B

C

D



ITEM NO.	PART NUMBER	DESCRIPTION	QTY.
1	ground fixing	galvanized steel	1
2	spring with spring disk	painted steel	1
3	central console	galvanized steel	1
4	seat plate	plastic	1
5	handle	painted steel	2

UNLESS OTHERWISE SPECIFIED:  
DIMENSIONS ARE IN MILLIMETERS  
WEIGHT ARE IN KILOGRAMM

PART NUMBER / DWG NO.:

VLI49

	NAME	SIGNATURE	DATE	REVISION
DRAWN	M.Rebase		29.07.2014	
APPV'D				

DESCRIPTION:

Spring swing DUO

MATERIAL:

metal, plastic

A4

WEIGHT:

SCALE: 1:10

SHEET 5 OF 5



**Tiptiptap** OÜ

Tiptiptap OÜ  
Veetorni 9,  
Jüri alevik, Rae vald,  
75301 Harjumaa

F