

A

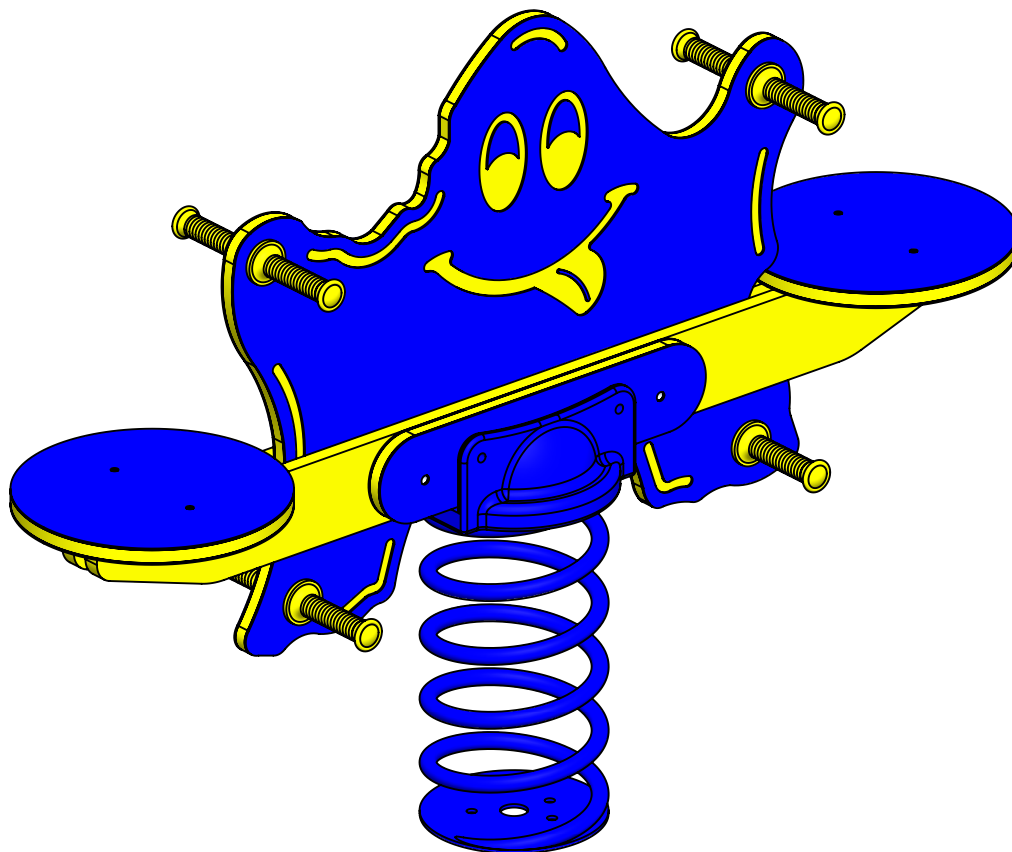
B

C

D

E

F



UNLESS OTHERWISE SPECIFIED:
DIMENSIONS ARE IN MILLIMETERS
WEIGHT ARE IN KILOGRAMM

PART NUMBER / DWG NO.:

VLI48

	NAME	SIGNATURE	DATE	REVISION
DRAWN	M.Rebase		29.05.2015	
APPV'D				

DESCRIPTION:

Spring swing CASPER



Tiptaptap OÜ

Tiptaptap OÜ
Veetorni 9,
Jüri alevik, Rae vald,
75301 Harjumaa

MATERIAL:

metal, plastic

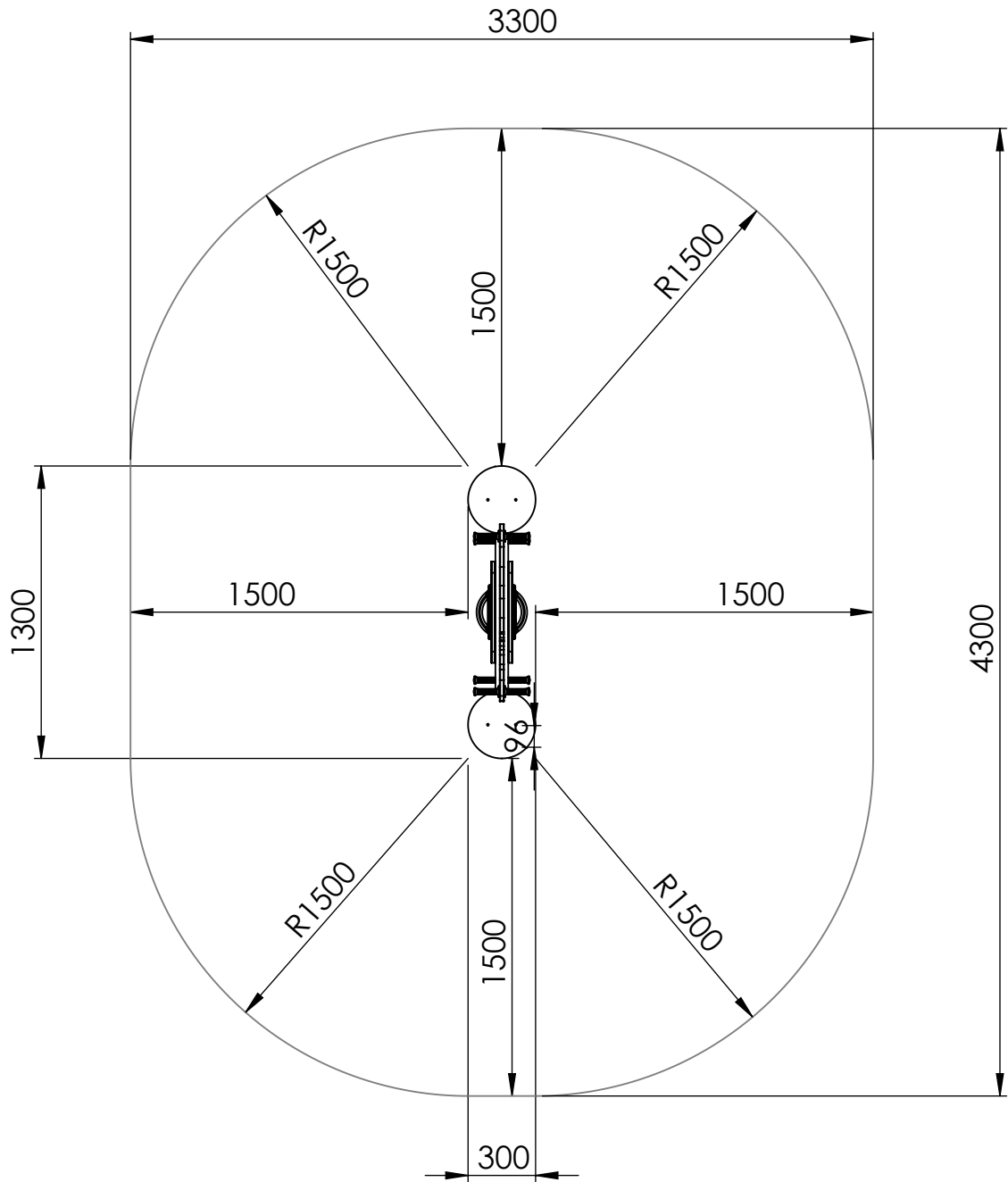
A4

WEIGHT:

SCALE: 1:8

SHEET 1 OF 5

safety area



UNLESS OTHERWISE SPECIFIED:
DIMENSIONS ARE IN MILLIMETERS
WEIGHT ARE IN KILOGRAMM

PART NUMBER / DWG NO.:

VLI48

	NAME	SIGNATURE	DATE	REVISION
DRAWN	M.Rebase		29.05.2015	
APPV'D				

DESCRIPTION:

Spring swing CASPER
safety area



Tiptaptap OÜ

Tiptaptap OÜ
Veetorni 9,
Jüri alevik, Rae vald,
75301 Harjumaa

MATERIAL:

metal, plastic

A4

WEIGHT:

SCALE: 1:30

SHEET 2 OF 5

foundation

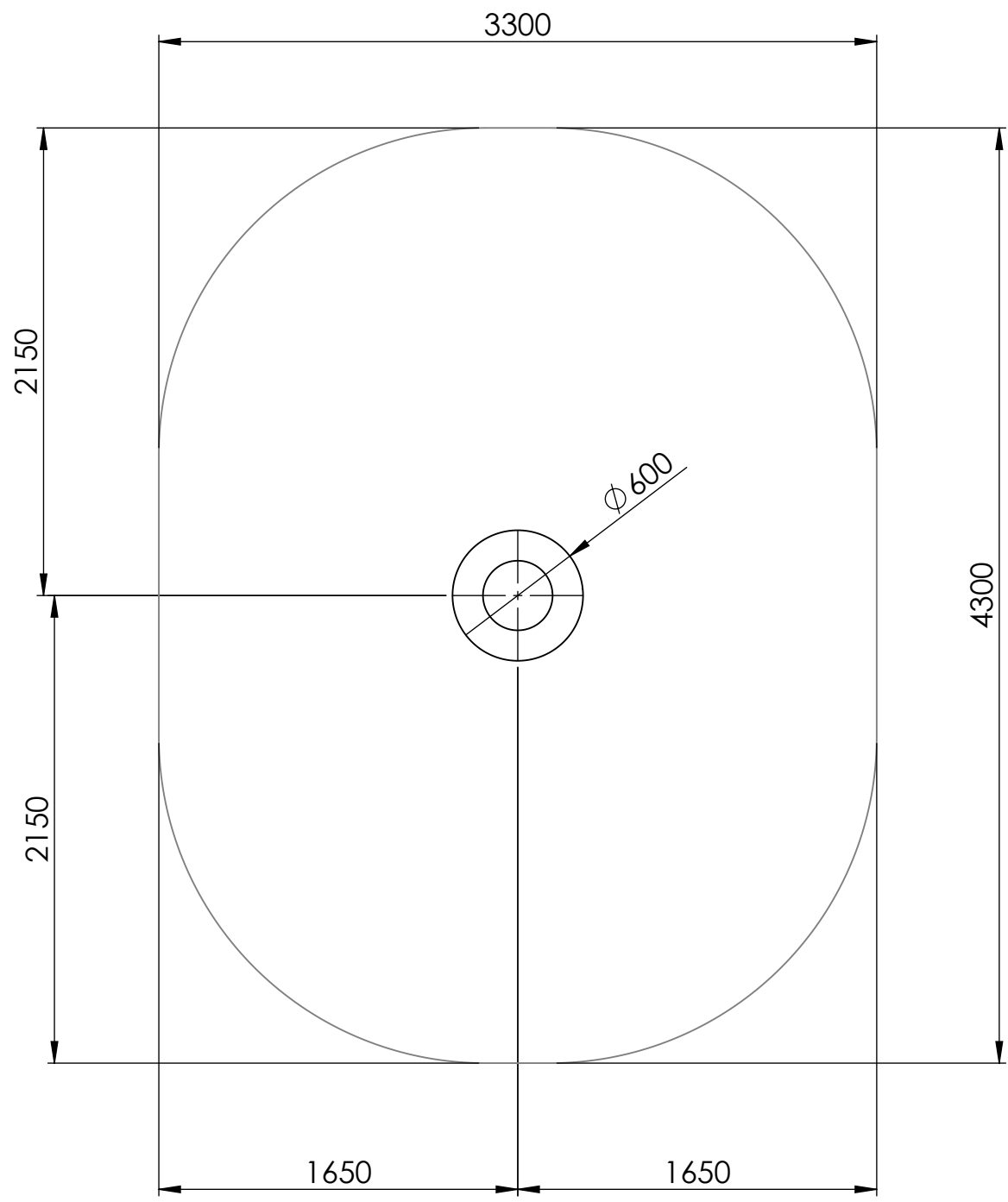
A

B

C

D

E



depth of foundation 500mm

UNLESS OTHERWISE SPECIFIED: DIMENSIONS ARE IN MILLIMETERS WEIGHT ARE IN KILOGRAMM				
	NAME	SIGNATURE	DATE	REVISION
DRAWN	M.Rebase		29.05.2015	
APPV'D				

PART NUMBER / DWG NO.:
VLI48

DESCRIPTION:
**Spring swing CASPER
foundation**

 **Tiptaptap** OÜ
Veetorni 9,
Jüri alevik, Rae vald,
75301 Harjumaa

MATERIAL:	metal, plastic	A4
WEIGHT:	SCALE: 1:30	SHEET 3 OF 5

A

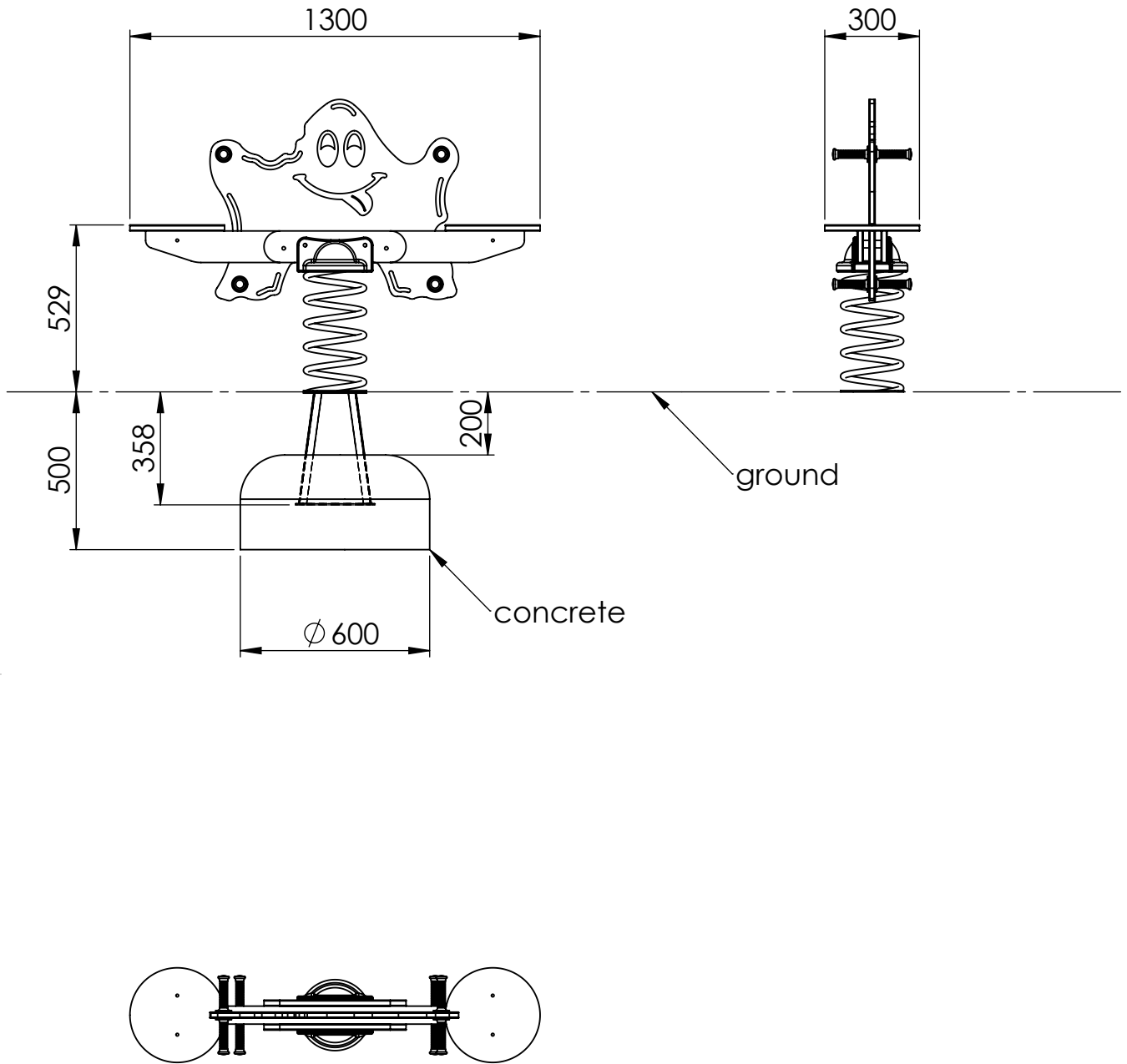
B

C

D

E

F



UNLESS OTHERWISE SPECIFIED:
 DIMENSIONS ARE IN MILLIMETERS
 WEIGHT ARE IN KILOGRAMM

PART NUMBER / DWG NO.:

VLI48

	NAME	SIGNATURE	DATE	REVISION
DRAWN	M.Rebase		29.05.2015	
APPV'D				

DESCRIPTION:

Spring swing CASPER



Tiptaptap OÜ

Tiptaptap OÜ
 Veetorni 9,
 Jüri alevik, Rae vald,
 75301 Harjumaa

MATERIAL:

metal, plastic

A4

WEIGHT:

SCALE: 1:20

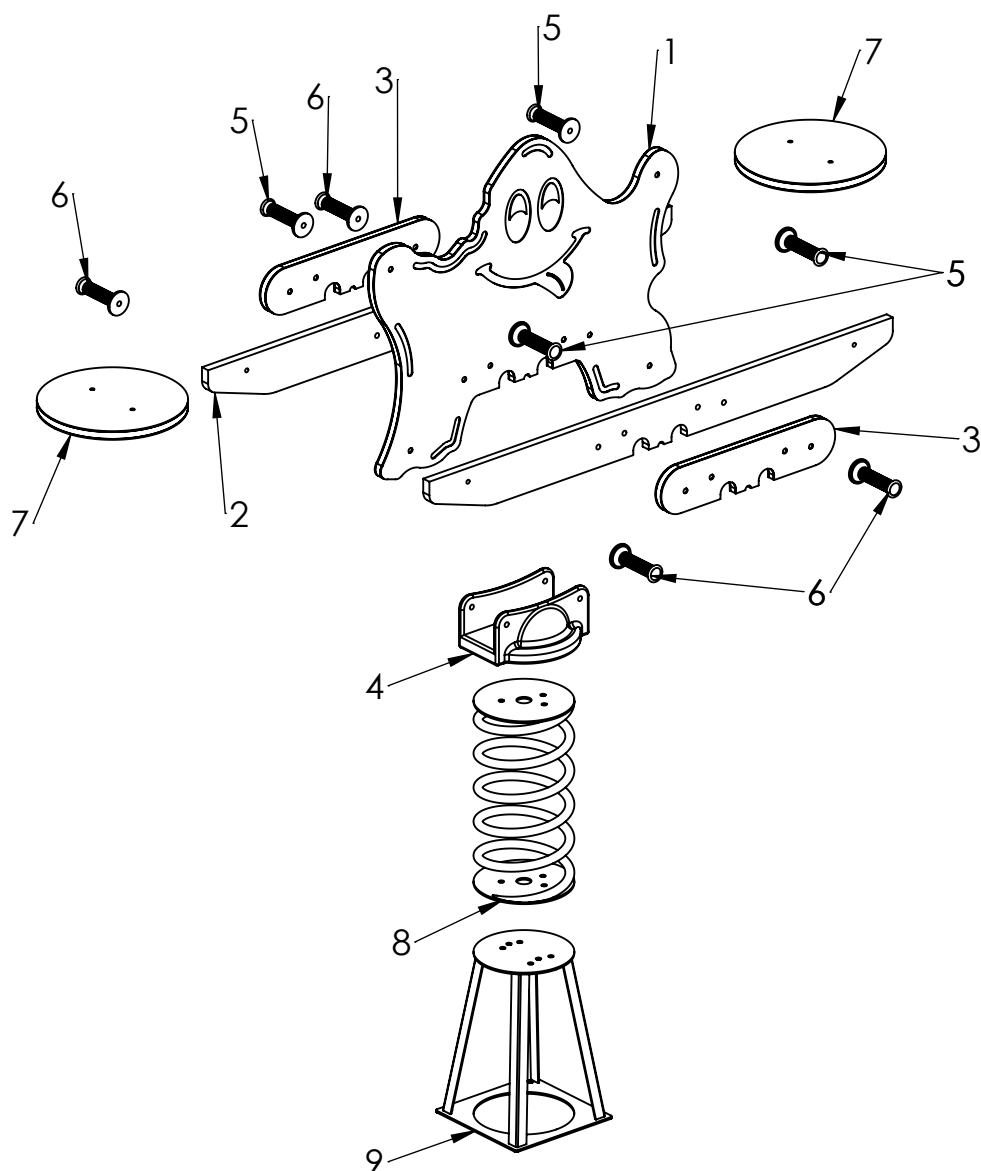
SHEET 4 OF 5

A

B

C

D



ITEM NO.	PART NUMBER	DESCRIPTION	QTY.
1	base plate	PE plastic	1
2	board 1400x100	PE plastic	2
3	board 450x100	PE plastic	2
4	central console	plastic, metal	1
5	handle	PE plastic	4
6	leg support	PE plastic	4
7	seat circle $\varnothing 300$	PE plastic	2
8	spring with spring disk	painted steel	1
9	ground fixing	galvanized steel	1

UNLESS OTHERWISE SPECIFIED: DIMENSIONS ARE IN MILLIMETERS WEIGHT ARE IN KILOGRAMM				PART NUMBER / DWG NO.:	
				VLI48	
				DESCRIPTION:	
				Spring swing CASPER	
				MATERIAL:	
				metal, plastic	
				A4	
				WEIGHT:	
				SCALE: 1:15	
				SHEET 5 OF 5	



Tiptiptap OÜ

Tiptiptap OÜ
Veetorni 9,
Jüri alevik, Rae vald,
75301 Harjumaa