

A

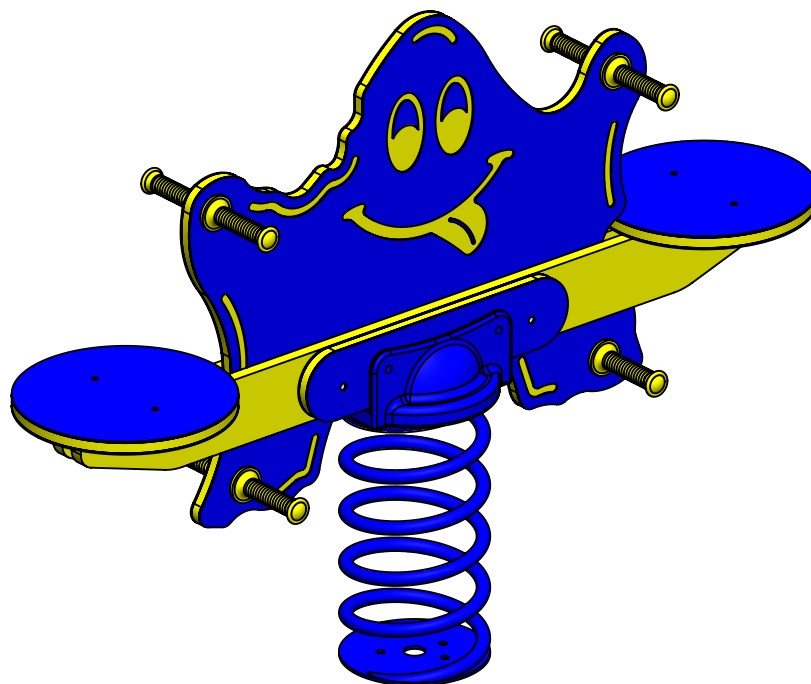
B

C

D

E

F



UNLESS OTHERWISE SPECIFIED:  
DIMENSIONS ARE IN MILLIMETERS  
WEIGHT ARE IN KILOGRAMM

PART NUMBER / DWG NO.:

VLI48

	NAME	SIGNATURE	DATE	REVISION
DRAWN	M.Rebase		18.07.2014	
APPV'D				

DESCRIPTION:

Spring swing CASPER



**Tiptaptap** OÜ

Tiptaptap OÜ  
Veetorni 9,  
Jüri alevik, Rae vald,  
75301 Harjumaa

MATERIAL:

metal, plastic

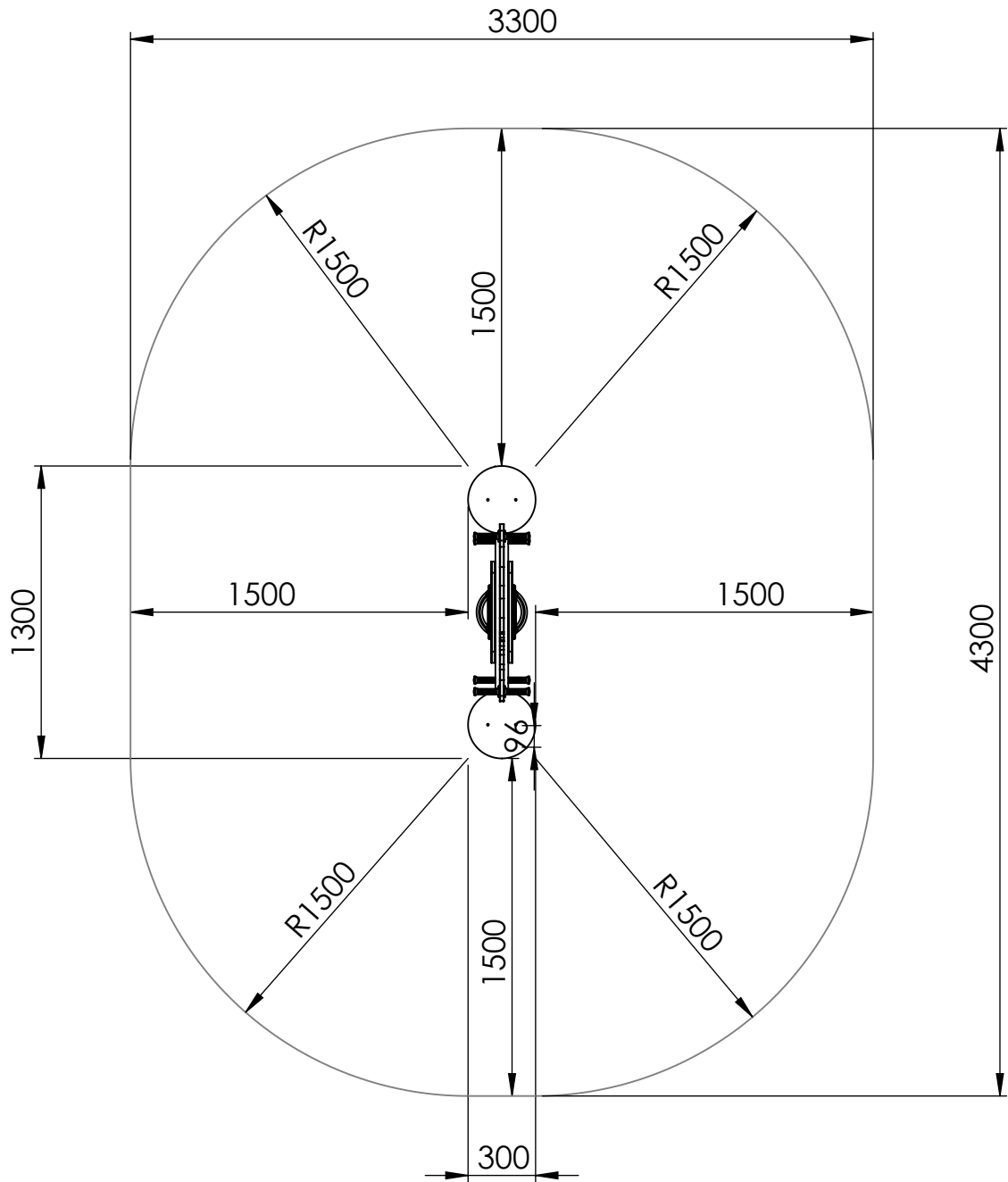
A4

WEIGHT:

SCALE: 1:10

SHEET 1 OF 5

# safety area



UNLESS OTHERWISE SPECIFIED:  
DIMENSIONS ARE IN MILLIMETERS  
WEIGHT ARE IN KILOGRAMM

PART NUMBER / DWG NO.:

VLI48

	NAME	SIGNATURE	DATE	REVISION
DRAWN	M.Rebase		18.07.2014	
APPV'D				

DESCRIPTION:

Spring swing CASPER  
safety area



**Tiptaptap** OÜ

Tiptaptap OÜ  
Veetorni 9,  
Jüri alevik, Rae vald,  
75301 Harjumaa

MATERIAL:

metal, plastic

A4

WEIGHT:

SCALE: 1:30

SHEET 2 OF 5

# foundation

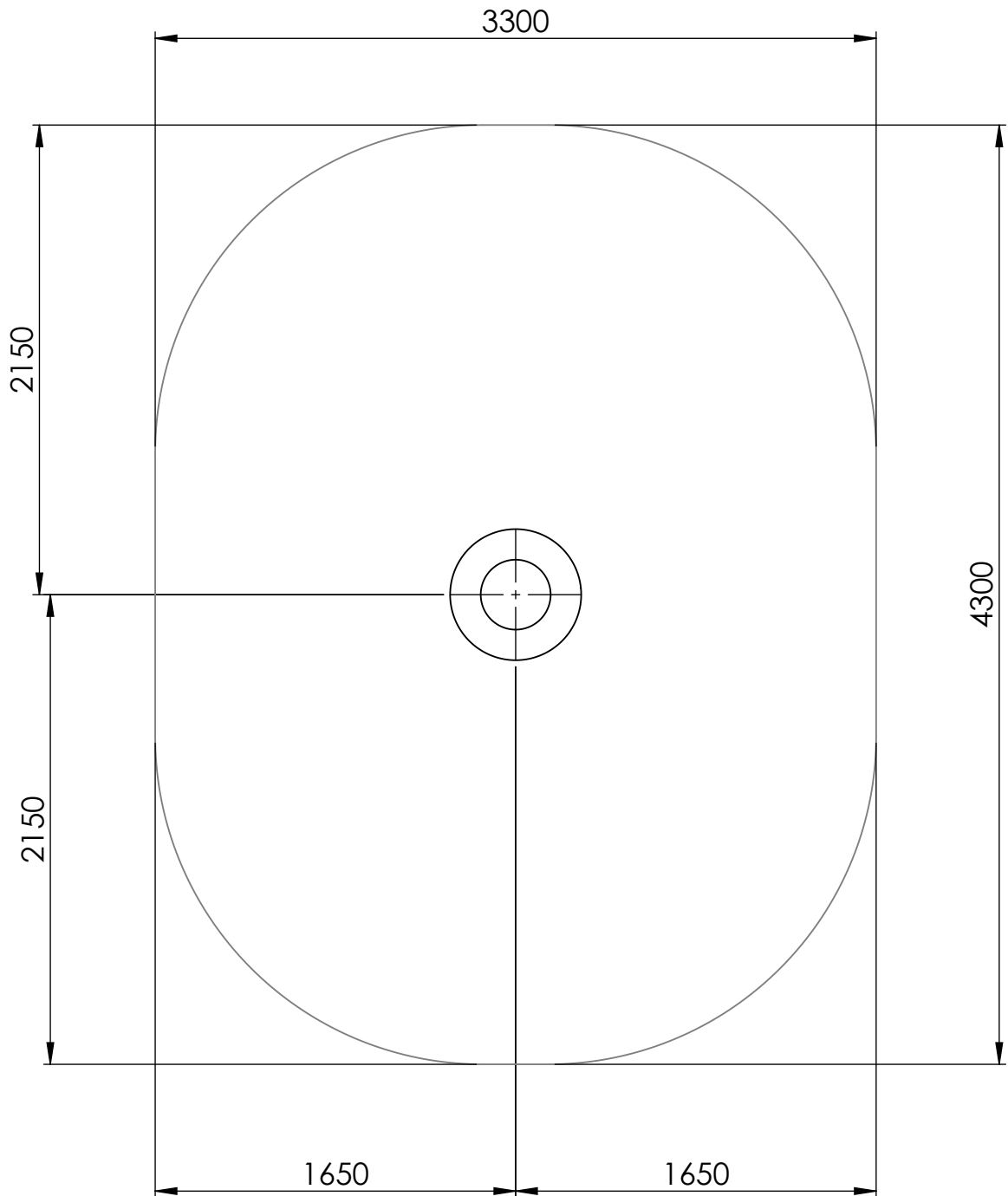
A

B

C

D

E



depth of foundation 500mm

UNLESS OTHERWISE SPECIFIED:  
DIMENSIONS ARE IN MILLIMETERS  
WEIGHT ARE IN KILOGRAMM

PART NUMBER / DWG NO.:

VLI48

	NAME	SIGNATURE	DATE	REVISION
DRAWN	M.Rebase		18.07.2014	
APPV'D				

DESCRIPTION:

Spring swing CASPER  
foundation

F



**Tiptaptap** OÜ

Tiptaptap OÜ  
Veetorni 9,  
Jüri alevik, Rae vald,  
75301 Harjumaa

MATERIAL:

metal, plastic

A4

WEIGHT:

SCALE: 1:30

SHEET 3 OF 5

A

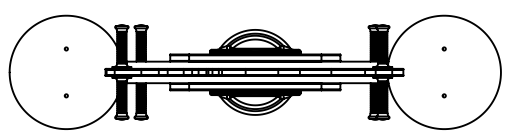
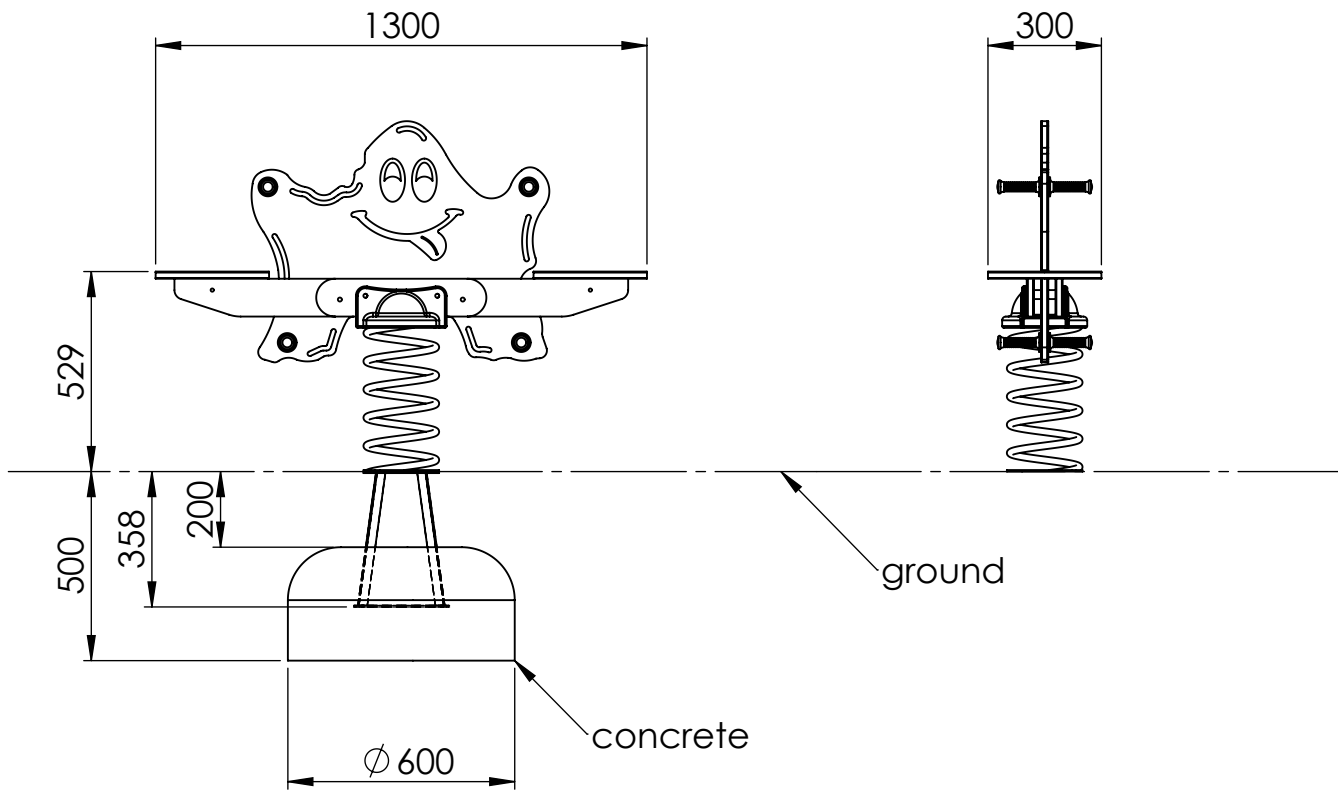
B

C

D

E

F



UNLESS OTHERWISE SPECIFIED:  
DIMENSIONS ARE IN MILLIMETERS  
WEIGHT ARE IN KILOGRAMM

	NAME	SIGNATURE	DATE	REVISION
DRAWN	M.Rebase		18.07.2014	
APPV'D				

PART NUMBER / DWG NO.:	VLI48
DESCRIPTION:	Spring swing CASPER



**Tiptiptap** OÜ  
Veetorni 9,  
Jüri alevik, Rae vald,  
75301 Harjumaa

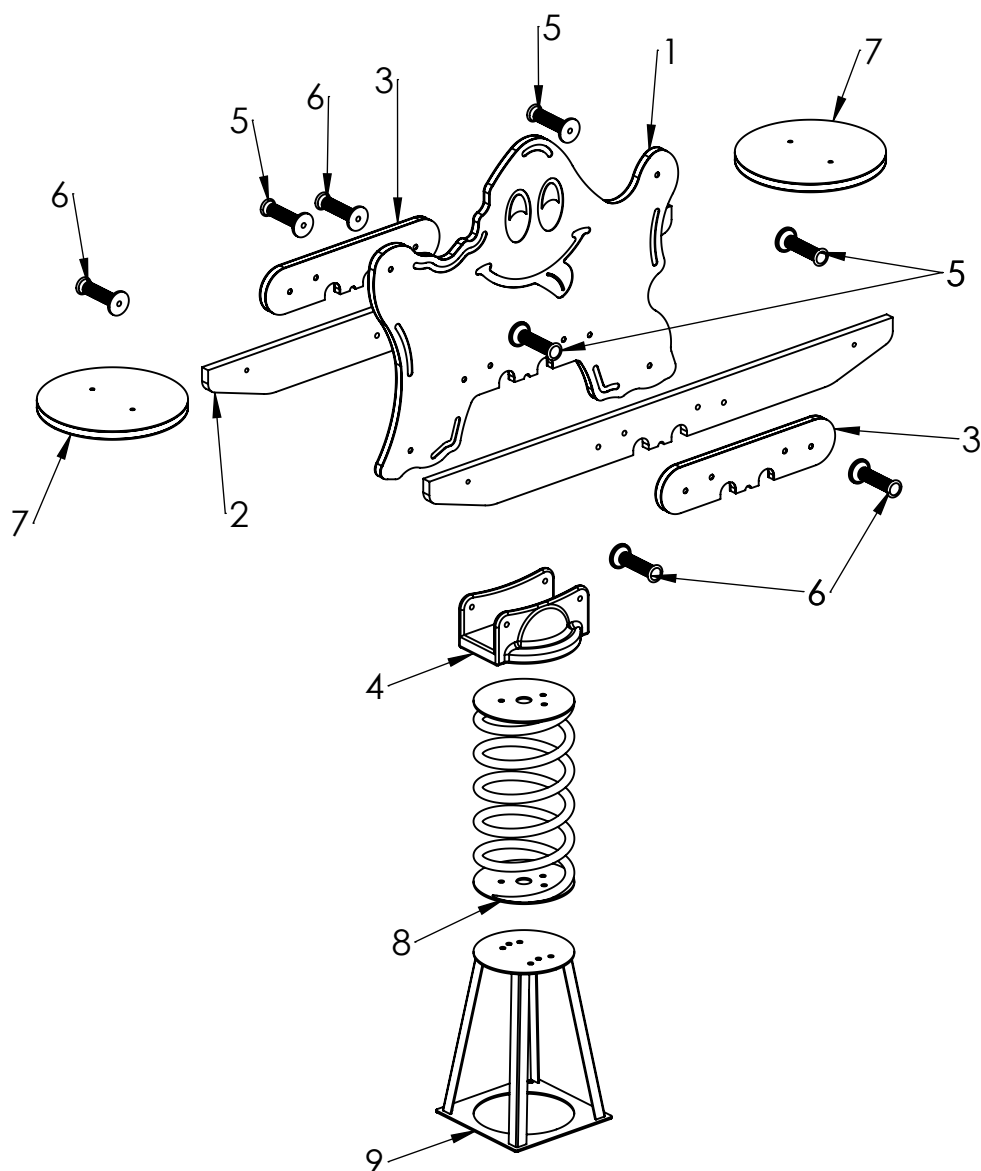
MATERIAL:	metal, plastic	A4
WEIGHT:	SCALE: 1:20	SHEET 4 OF 5

A


B

C

D



ITEM NO.	PART NUMBER	DESCRIPTION	QTY.
1	base plate	PE plastic	1
2	board 1400x100	PE plastic	2
3	board 450x100	PE plastic	2
4	central console	plastic, metal	1
5	handle	PE plastic	4
6	leg support	PE plastic	4
7	seat circle $\varnothing 300$	PE plastic	2
8	spring with spring disk	painted steel	1
9	ground fixing	galvanized steel	1

UNLESS OTHERWISE SPECIFIED: DIMENSIONS ARE IN MILLIMETERS WEIGHT ARE IN KILOGRAMM				PART NUMBER / DWG NO.: <b>VLI48</b>	
NAME	SIGNATURE	DATE	REVISION	DESCRIPTION: <b>Spring swing CASPER</b>	
DRAWN	M.Rebase	18.07.2014			
APPV'D					
 <b>Tiptiptap</b> OÜ Tiipitap OÜ Veetorni 9, Jüri alevik, Rae vald, 75301 Harjumaa				MATERIAL:	metal, plastic
				WEIGHT:	SCALE: 1:15
					SHEET 5 OF 5