

A

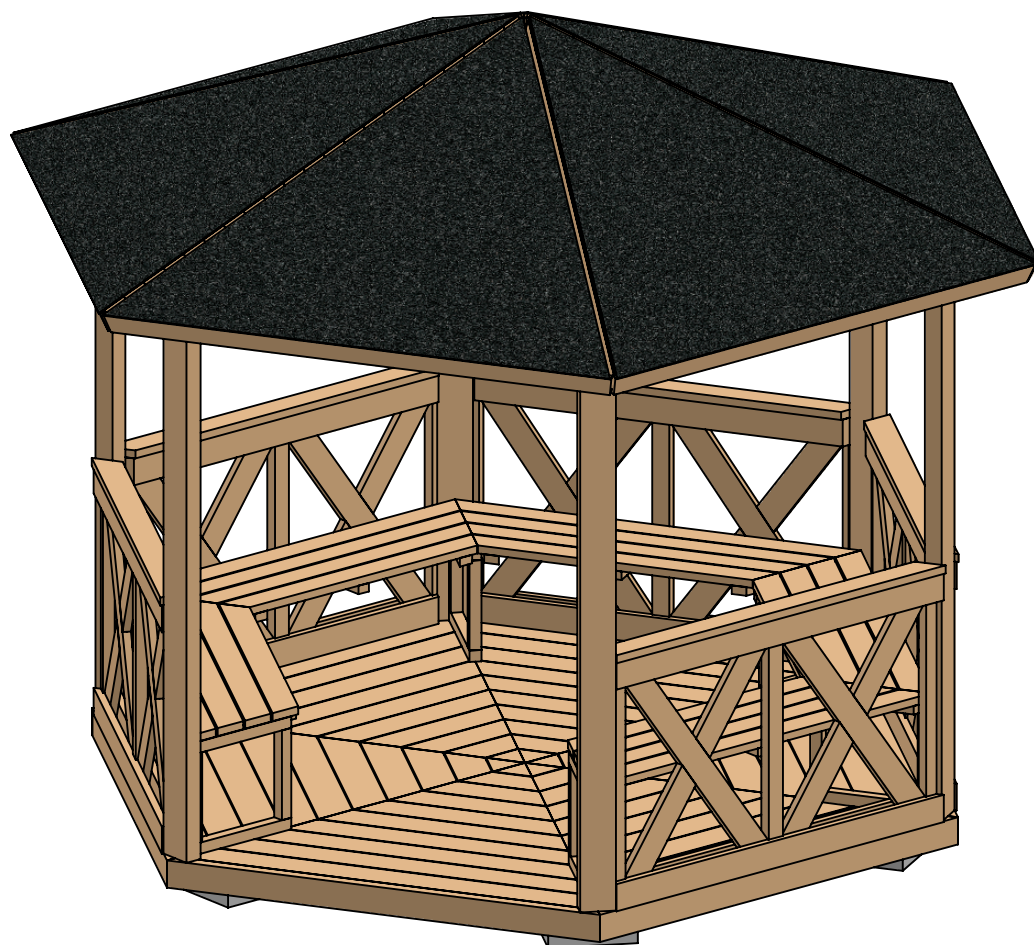
B

C

D

E

F



UNLESS OTHERWISE SPECIFIED:  
DIMENSIONS ARE IN MILLIMETERS  
WEIGHT ARE IN KILOGRAMM

PART NUMBER / DWG NO.:

VLE001

	NAME	SIGNATURE	DATE	REVISION
DRAWN	M.Rebase		6.07.2012	
APPV'D				

DESCRIPTION:

Pavilion hexagonal

MATERIAL:

wood, metal

A4

WEIGHT:

SCALE: 1:25

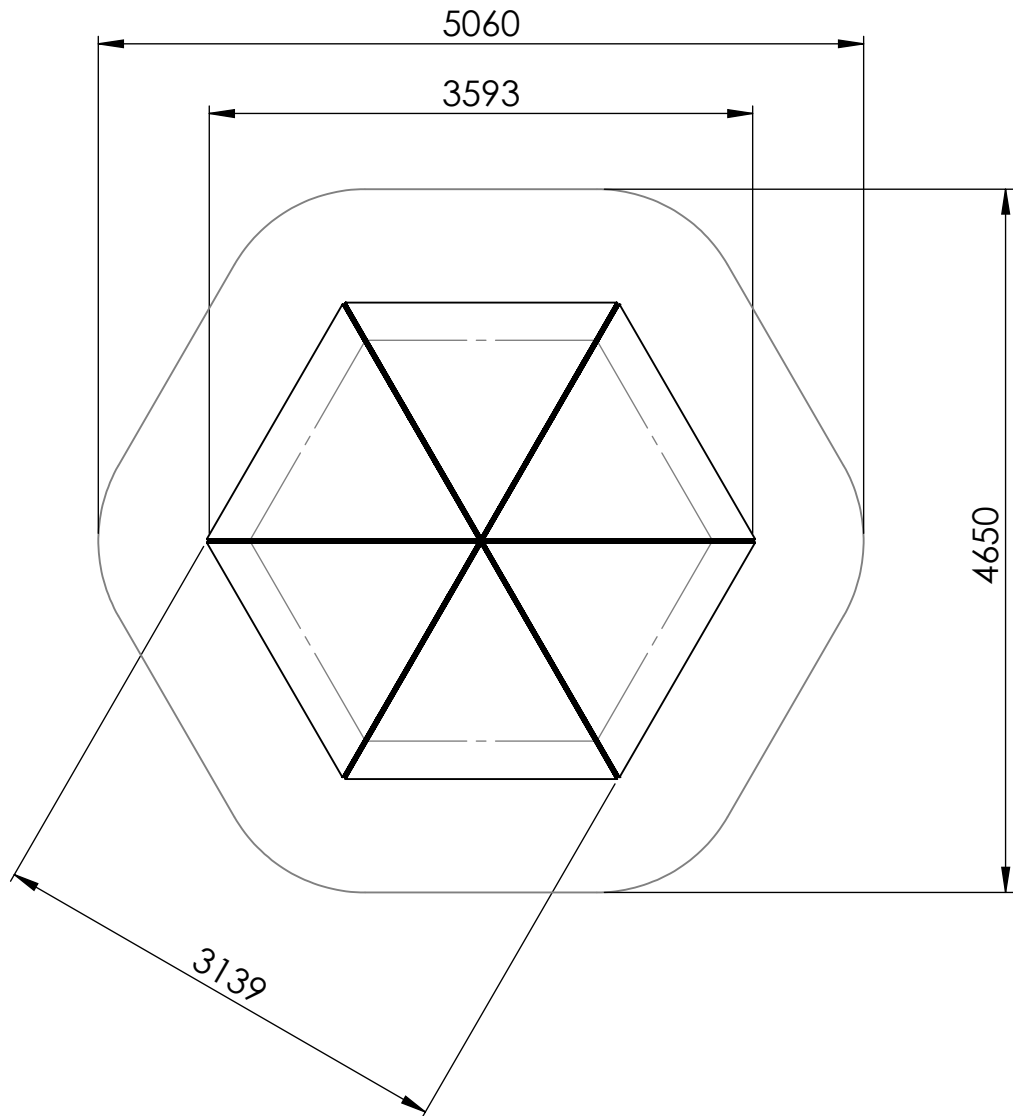
SHEET 1 OF 11



**Tiptaptap** OÜ

Tiptaptap OÜ  
Veetorni 9,  
Jüri alevik, Rae vald,  
75301 Harjumaa

# safety area



UNLESS OTHERWISE SPECIFIED:  
DIMENSIONS ARE IN MILLIMETERS  
WEIGHT ARE IN KILOGRAMM

PART NUMBER / DWG NO.:

VLE001

	NAME	SIGNATURE	DATE	REVISION
DRAWN	M.Rebase		6.07.2012	
APPV'D				

DESCRIPTION:

Pavilion hexagonal



**Tiptaptap** OÜ

Tiptaptap OÜ  
Veetorni 9,  
Jüri alevik, Rae vald,  
75301 Harjumaa

MATERIAL:

wood, metal

A4

WEIGHT:

SCALE: 1:50

SHEET 2 OF 11

# foundation

A

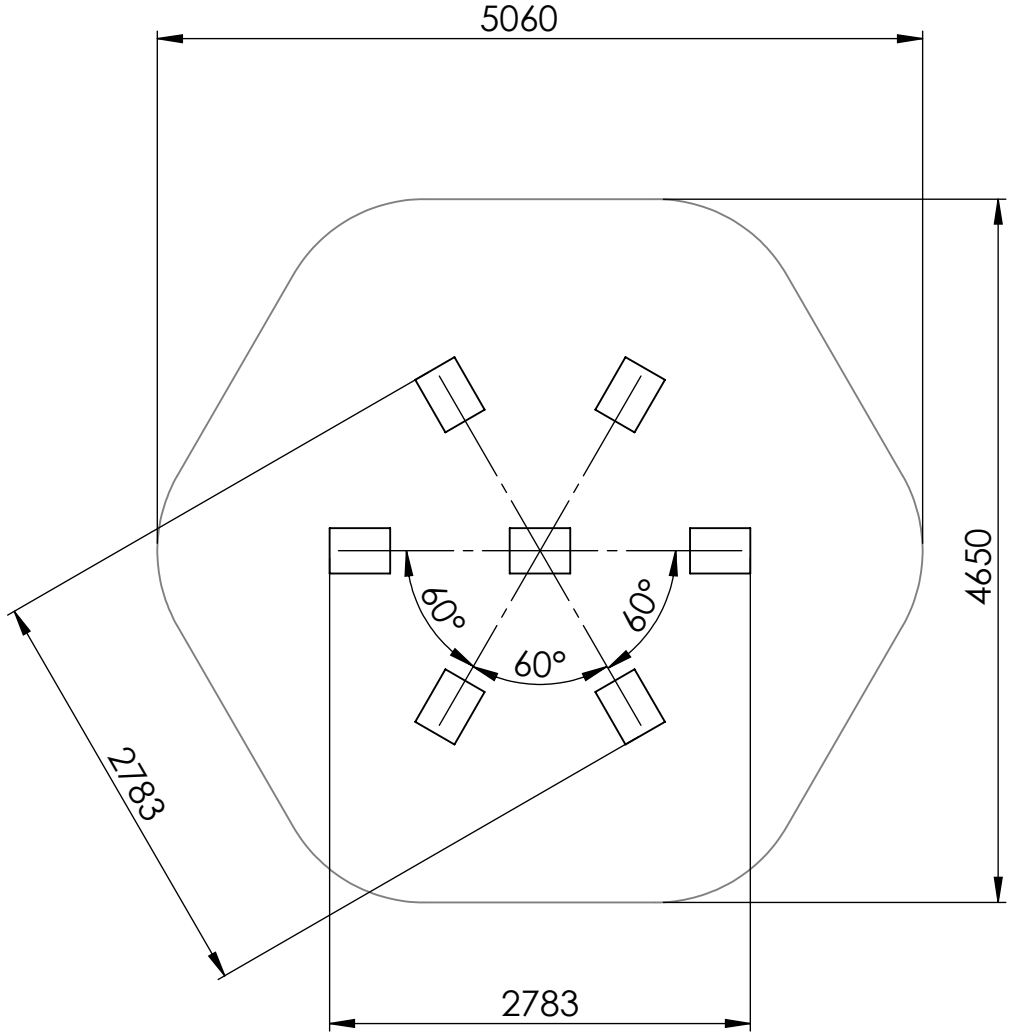
B

C


D

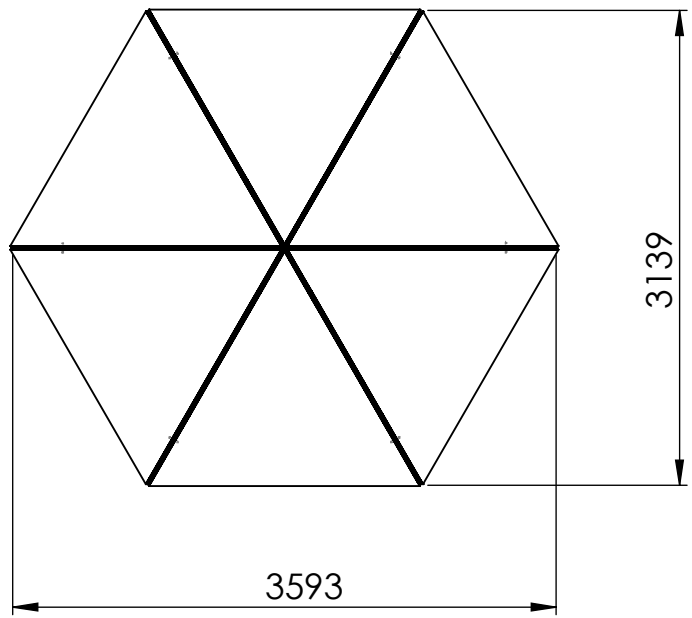
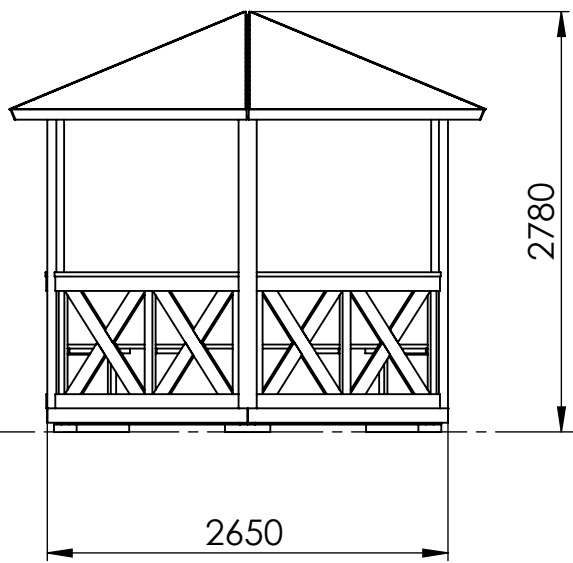
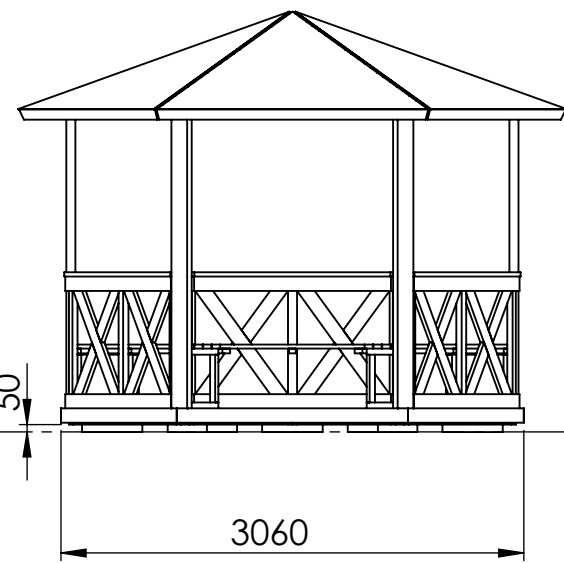
E

F



For foundation use foundation blocks or poured foundation. Foundation must be hidden under the floor. Dig the foundation blocks into the ground so that the wooden floor is 5cm above the ground.

UNLESS OTHERWISE SPECIFIED: DIMENSIONS ARE IN MILLIMETERS WEIGHT ARE IN KILOGRAMM				PART NUMBER / DWG NO.: <b>VLE001</b>		
	NAME	SIGNATURE	DATE	REVISION		
DRAWN	M.Rebase		6.07.2012			
APPV'D						
 <b>Tiptiptap</b> OÜ Veetorni 9, Jüri alevik, Rae vald, 75301 Harjumaa				DESCRIPTION: <b>Pavilion hexagonal</b>		
				MATERIAL: <b>wood, metal</b>		<b>A4</b>
				WEIGHT:		SCALE: 1:50



UNLESS OTHERWISE SPECIFIED: DIMENSIONS ARE IN MILLIMETERS WEIGHT ARE IN KILOGRAMM				
	NAME	SIGNATURE	DATE	REVISION
DRAWN	M.Rebase		6.07.2012	
APPV'D				

PART NUMBER / DWG NO.:	VLE001
DESCRIPTION:	Pavilion hexagonal



**Tiptiptap** OÜ  
 Veetorni 9,  
 Jüri alevik, Rae vald,  
 75301 Harjumaa

MATERIAL:	wood, metal	A4
WEIGHT:	SCALE: 1:50	SHEET 4 OF 11

A

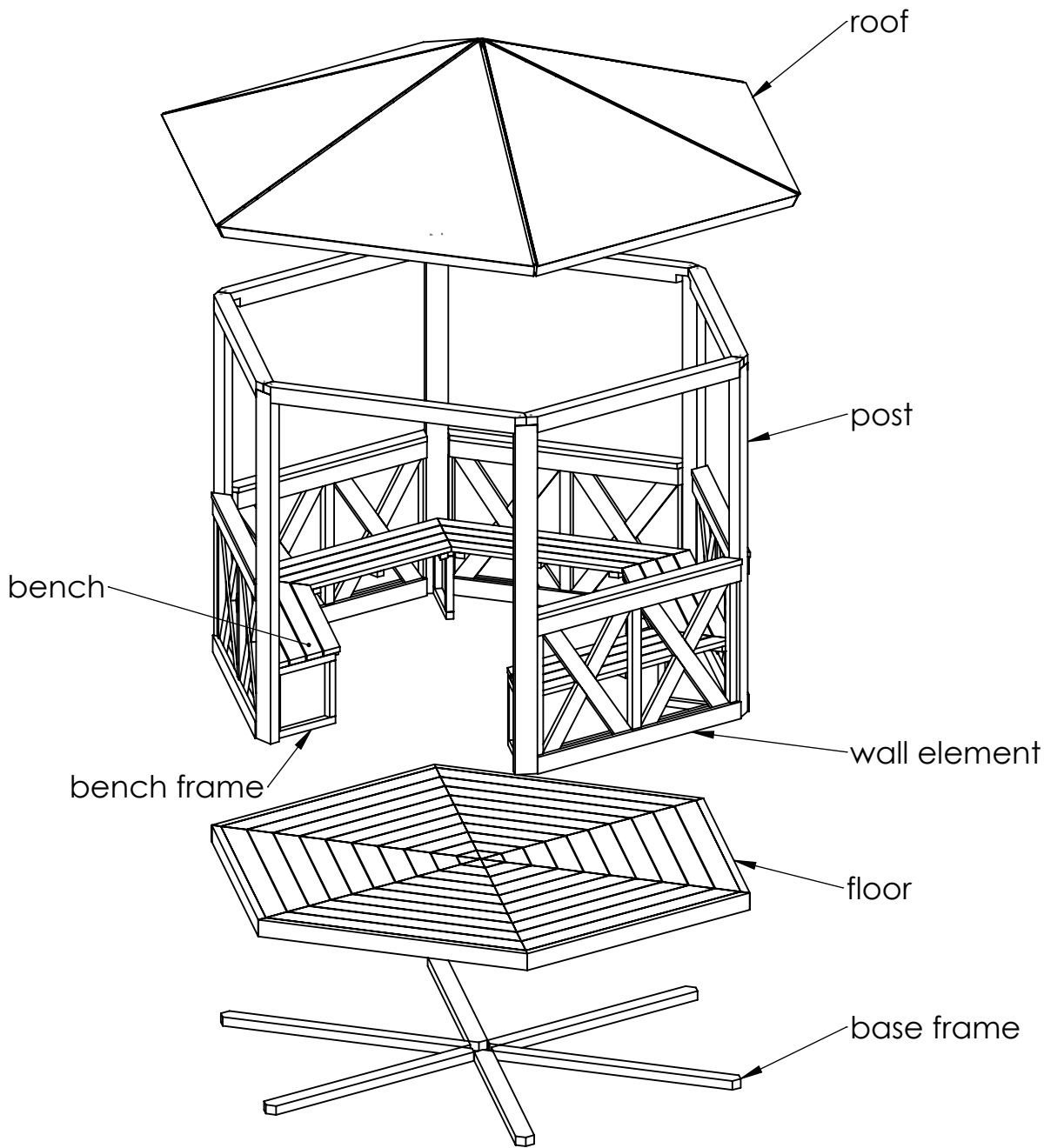
B

C

D

E

F



UNLESS OTHERWISE SPECIFIED:  
 DIMENSIONS ARE IN MILLIMETERS  
 WEIGHT ARE IN KILOGRAMM

PART NUMBER / DWG NO.:  
**VLE001**

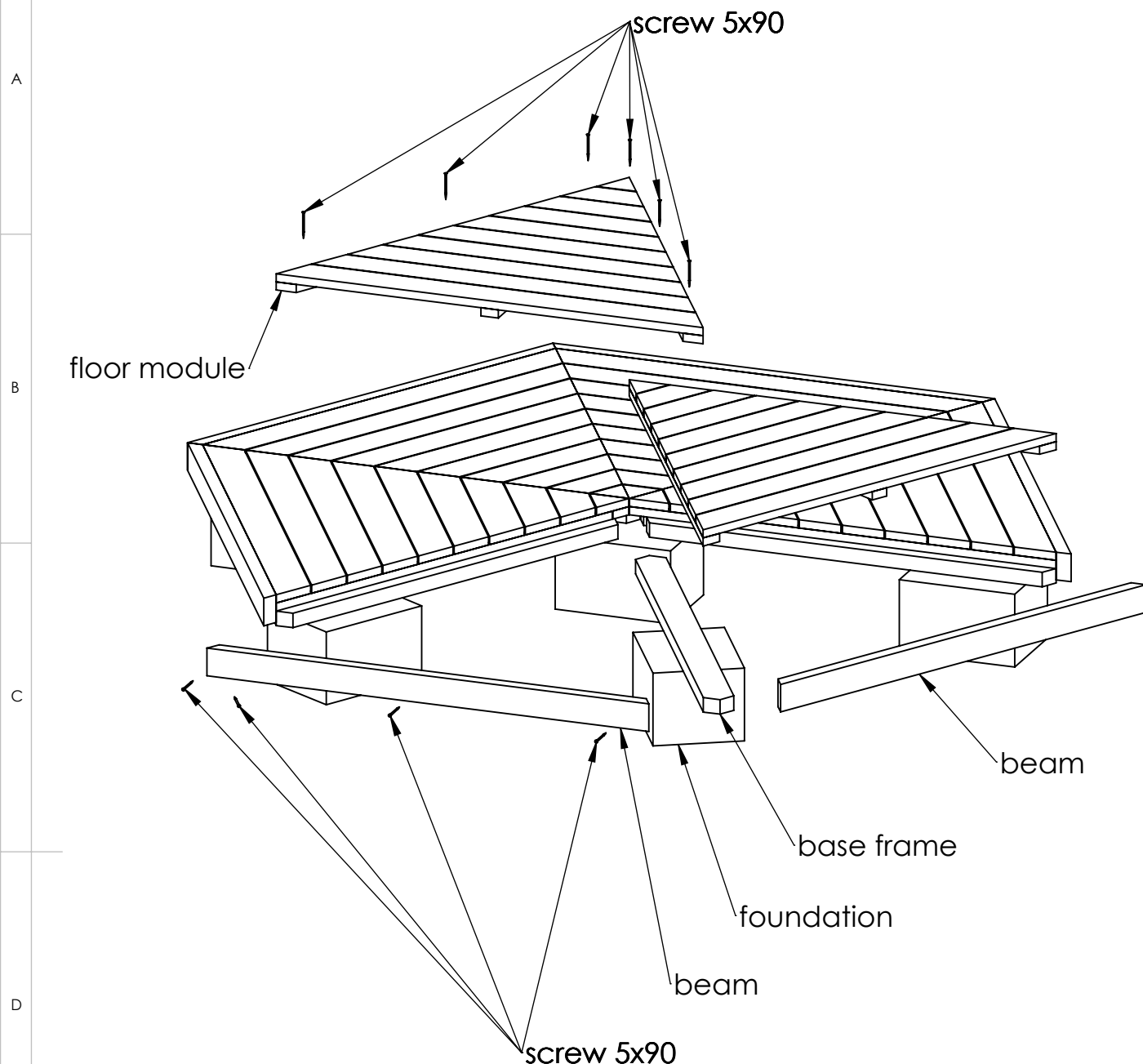
	NAME	SIGNATURE	DATE	REVISION
DRAWN	M.Rebase		6.07.2012	
APPV'D				

DESCRIPTION:  
**Pavilion hexagonal**



**Tiptaptap** OÜ  
 Veetorni 9,  
 Jüri alevik, Rae vald,  
 75301 Harjumaa

MATERIAL:	wood, metal	A4
WEIGHT:	SCALE: 1:35	SHEET 5 OF 11



For foundation use foundation blocks or poured foundation. Foundation must be hidden under the floor. Dig the foundation blocks into the ground so that the wooden floor is 5cm above the ground. When the foundation is ready, place the base frame on it. Place the floor elements on the base frame and fix them together with 5x90mm screws. Fix the beams (screws 5x90mm) on the edges of the floor elements to cover the base frame and give more strength to the floor. It is important to drill the holes for screws 2 mm smaller than the diameter of the screw.

UNLESS OTHERWISE SPECIFIED:  
DIMENSIONS ARE IN MILLIMETERS  
WEIGHT ARE IN KILOGRAMM

PART NUMBER / DWG NO.:

VLE001

	NAME	SIGNATURE	DATE	REVISION
DRAWN	M.Rebase		6.07.2012	
APPV'D				

DESCRIPTION:

Pavilion hexagonal

MATERIAL:

wood, metal

A4

WEIGHT:

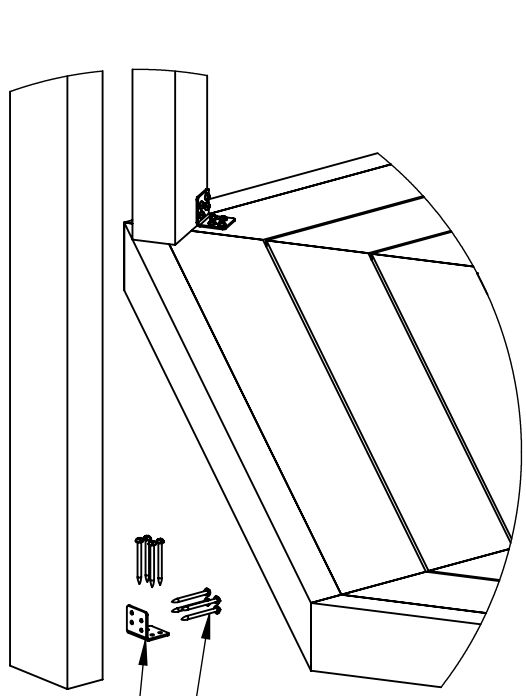
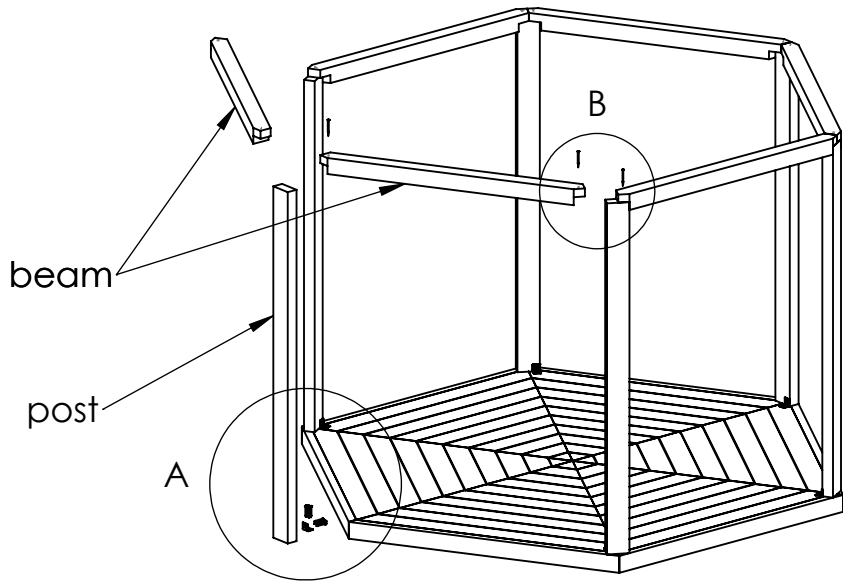
SCALE: 1:20

SHEET 6 OF 11



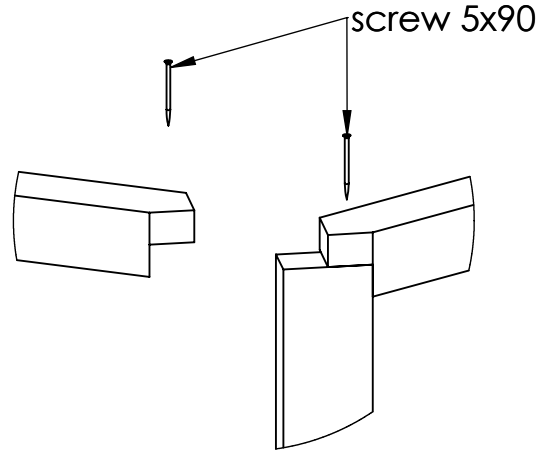
**Tiptaptap** OÜ

Tiptaptap OÜ  
Veetorni 9,  
Jüri alevik, Rae vald,  
75301 Harjumaa



DETAIL A  
SCALE 1 : 10

metal corner  
screw 4,8x60



DETAIL B  
SCALE 1 : 10

screw 5x90

Place the posts to the corners of the floor and fix the top belt beams to post with 2 screws 5x90mm. Tighten the whole construction so that there will be no space between the belt and posts. Fix the posts to the floor with metal corners and the screws 4,8x60. It is important to drill the holes for screws 2 mm smaller than the diameter of the screw.

UNLESS OTHERWISE SPECIFIED:  
DIMENSIONS ARE IN MILLIMETERS  
WEIGHT ARE IN KILOGRAMM

PART NUMBER / DWG NO.:  
**VLE001**

	NAME	SIGNATURE	DATE	REVISION
DRAWN	M.Rebase		6.07.2012	
APPV'D				

DESCRIPTION:  
**Pavilion hexagonal**



**Tiptap** OÜ

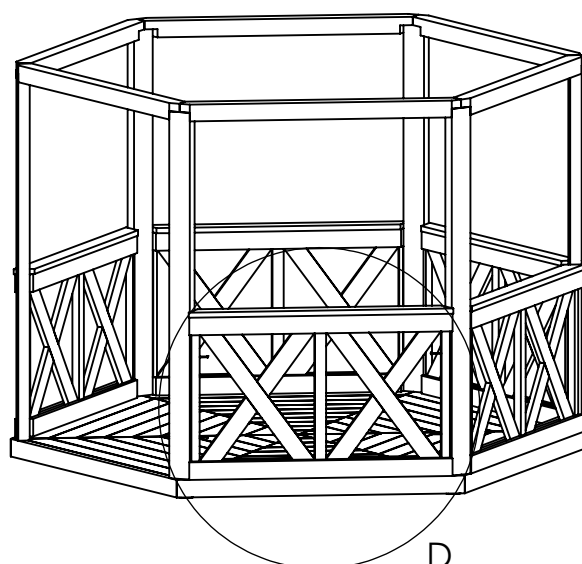
Tiptap OÜ  
Veetorni 9,  
Jüri alevik, Rae vald,  
75301 Harjumaa

MATERIAL: wood, metal

A4

WEIGHT: SCALE: 1:40 SHEET 7 OF 11

A



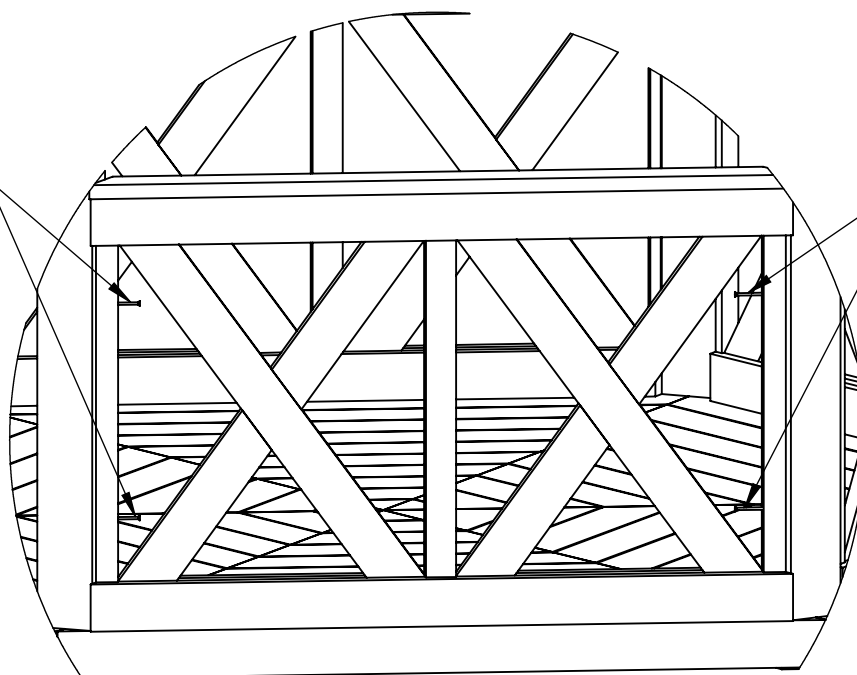
B

C

D

E

screw 5x90



screw 5x90

DETAIL D  
SCALE 1 : 15

Place the wall elements between the posts and fix with screws 5x90mm.  
It is important to drill the holes for screws 2 mm smaller than the diameter of the screw.

UNLESS OTHERWISE SPECIFIED:  
DIMENSIONS ARE IN MILLIMETERS  
WEIGHT ARE IN KILOGRAMM

PART NUMBER / DWG NO.:

VLE001

	NAME	SIGNATURE	DATE	REVISION
DRAWN	M.Rebase		6.07.2012	
APPV'D				

DESCRIPTION:

Pavilion hexagonal

F



**Tiptap** OÜ

Tiptap OÜ  
Veetorni 9,  
Jüri alevik, Rae vald,  
75301 Harjumaa

MATERIAL:

wood, metal

A4

WEIGHT:

SCALE: 1:40

SHEET 8 OF 11



A

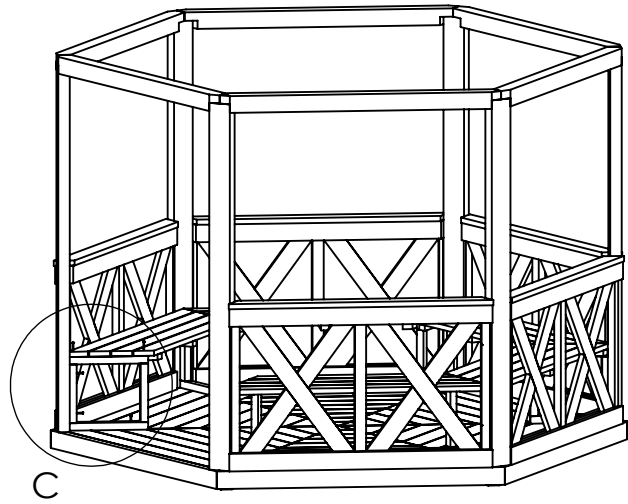
B

C

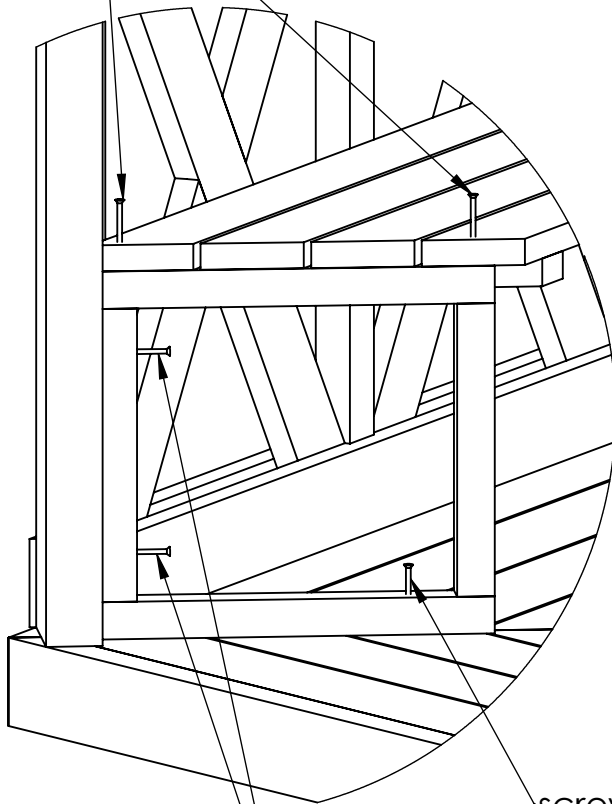
D

E

F



screw 5x90



DETAIL C  
SCALE 1 : 8

screw 5x90

screw 5x90

Place the bench legs next to the posts and place the benches on the legs.  
 Fix the benches to the bench legs with 5x90mm screws. Fix the bench legs to the floor and posts.  
 It is important to drill the holes for screws 2 mm smaller than the diameter of the screw.

UNLESS OTHERWISE SPECIFIED:  
 DIMENSIONS ARE IN MILLIMETERS  
 WEIGHT ARE IN KILOGRAMM

PART NUMBER / DWG NO.:

VLE001

	NAME	SIGNATURE	DATE	REVISION
DRAWN	M.Rebase		6.07.2012	
APPV'D				

DESCRIPTION:

Pavilion hexagonal

MATERIAL:

wood, metal

A4

WEIGHT:

SCALE: 1:40

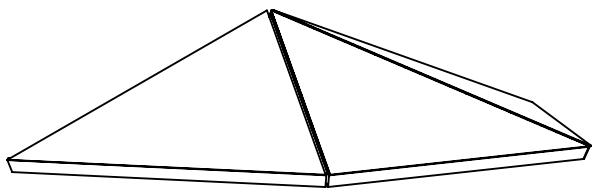
SHEET 9 OF 11



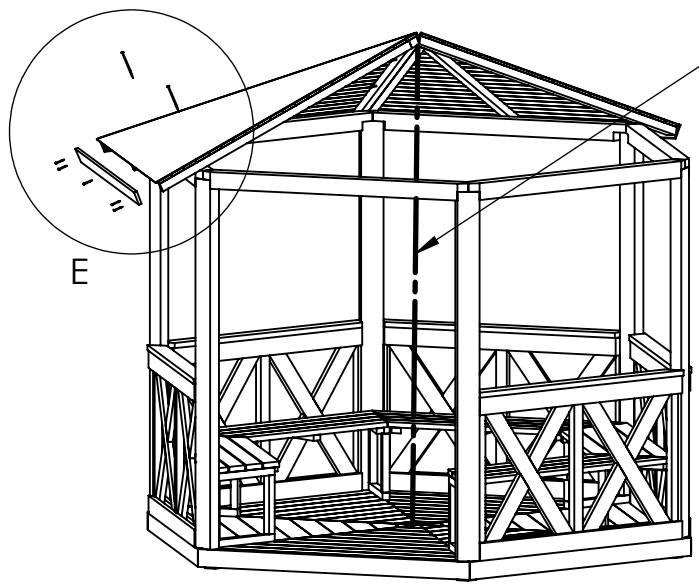
**Tiptaptap** OÜ

Tiptaptap OÜ  
 Veetorni 9,  
 Jüri alevik, Rae vald,  
 75301 Harjumaa

A



B



support pole  
(not included)

C

screw 6x150

D

screw 4,2x45

DETAIL E  
SCALE 1 : 15

E

Place the first roof panel above the door, use the support pole to regulate the height of the roof panel. Note that the roof panel is placed right in the middle between the posts and the overlapping edges of the roof are on the same level. Fix the roof panel to the post with the screw 6x150mm. Take the next roof panel and fix it to the first roof panel with screws 5x90mm. If all the roof panels are installed add the beams to the roof edges with the 4.2 x45mm screws. It is important to drill the holes for screws 2 mm smaller than the diameter of the screw.

F

UNLESS OTHERWISE SPECIFIED: DIMENSIONS ARE IN MILLIMETERS WEIGHT ARE IN KILOGRAMM				
	NAME	SIGNATURE	DATE	REVISION
DRAWN	M.Rebase		6.07.2012	
APPV'D				

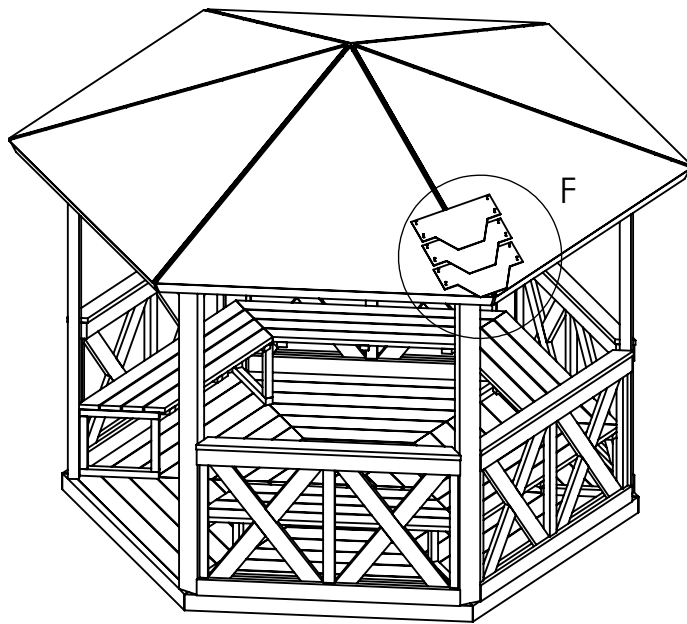
PART NUMBER / DWG NO.:	VLE001
DESCRIPTION:	Pavilion hexagonal



**Tiptap** OÜ  
Veetorni 9,  
Jüri alevik, Rae vald,  
75301 Harjumaa

MATERIAL:	wood, metal	A4
WEIGHT:	SCALE: 1:40	SHEET 10 OF 11

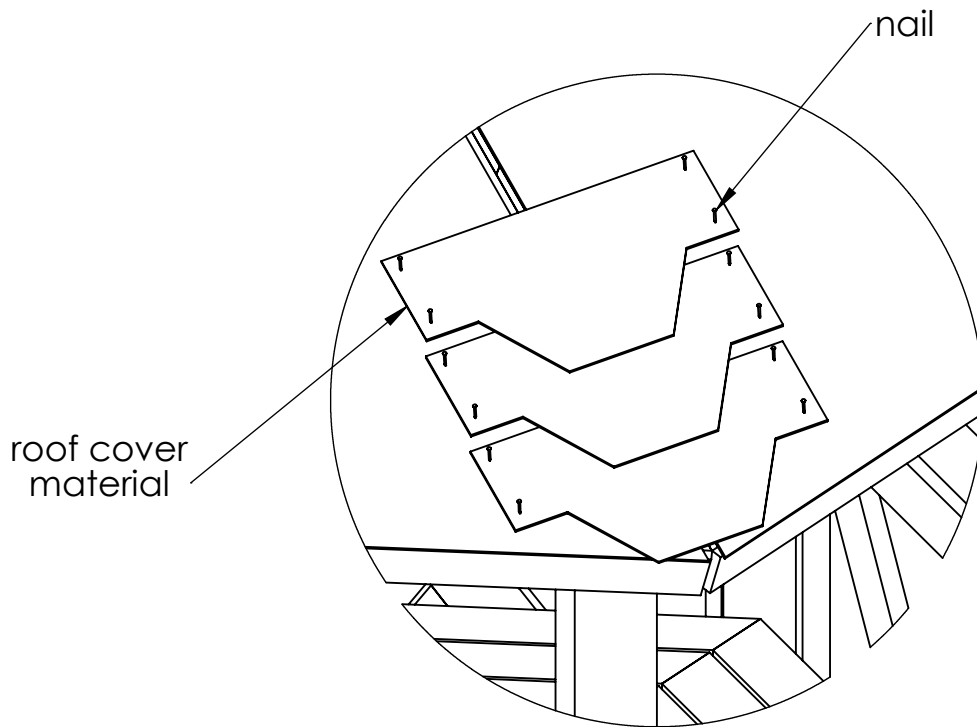
A



B

C

D



DETAIL F  
SCALE 1 : 10

E

Fix the roof cover material with the nails in the places where the 2 roof panels were fixed together. Overlapping of the roof cover material can be max 15-20mm.

UNLESS OTHERWISE SPECIFIED:  
DIMENSIONS ARE IN MILLIMETERS  
WEIGHT ARE IN KILOGRAMM

PART NUMBER / DWG NO.:

VLE001

	NAME	SIGNATURE	DATE	REVISION
DRAWN	M.Rebase		6.07.2012	
APPV'D				

DESCRIPTION:

Pavilion hexagonal

F



**Tiptaptap** OÜ

Tiptaptap OÜ  
Veetorni 9,  
Jüri alevik, Rae vald,  
75301 Harjumaa

MATERIAL:

wood, metal

A4

WEIGHT:

SCALE: 1:40

SHEET 11 OF 11