

1

2

3

4

A

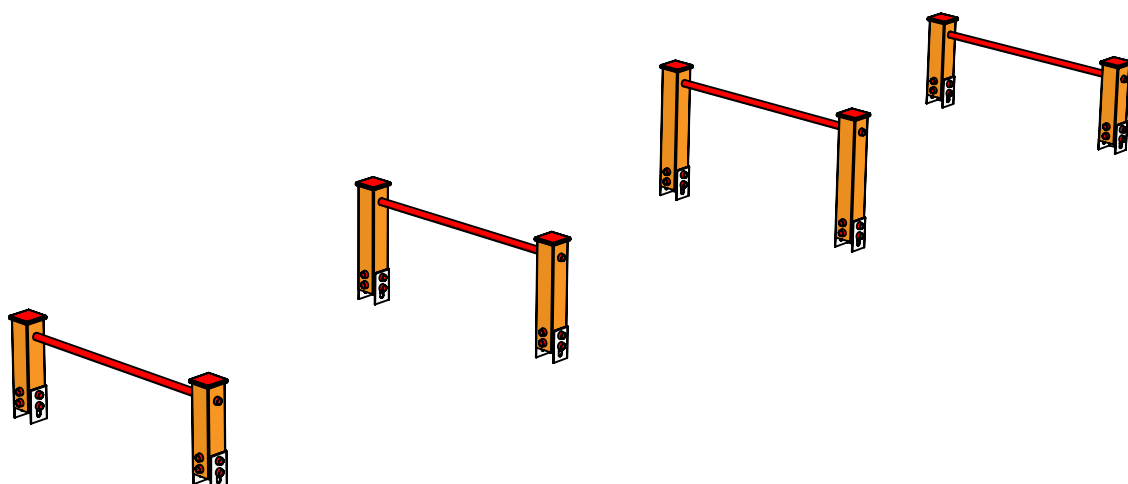
B

C

D

E

F



UNLESS OTHERWISE SPECIFIED:  
DIMENSIONS ARE IN MILLIMETERS  
WEIGHT ARE IN KILOGRAMM

PART NUMBER / DWG NO.:

TSV007

	NAME	SIGNATURE	DATE	REVISION
DRAWN	M.Rebase		25.06.2015	
APPV'D				

DESCRIPTION:

Jumping track



**Tiptaptap** OÜ

Tiptaptap OÜ  
Veetorni 9,  
Jüri alevik, Rae vald,  
75301 Harjumaa

MATERIAL:

wood, metal, plastic

A4

WEIGHT:

SCALE: 1:30

SHEET 1 OF 6

# safety area

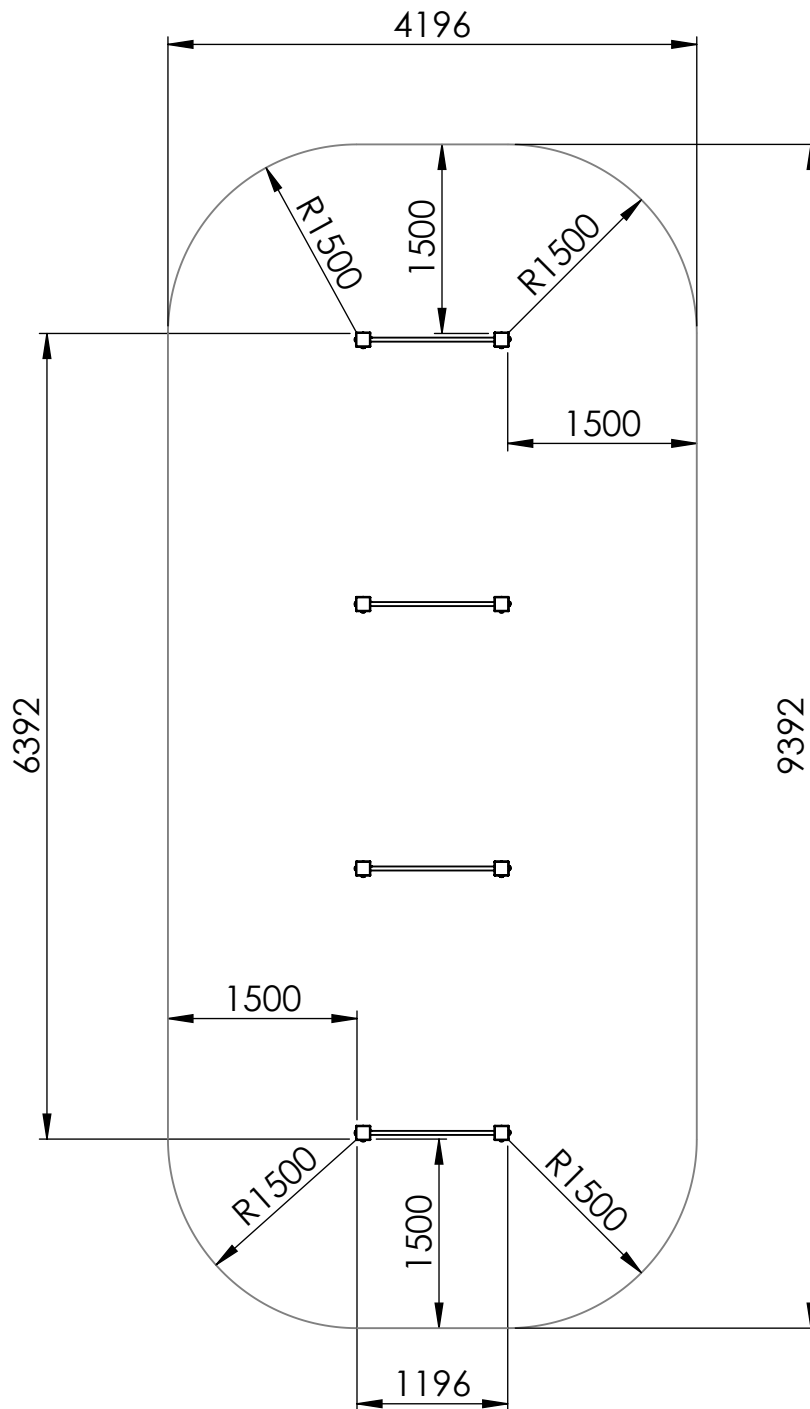
A

B

C

D

E



UNLESS OTHERWISE SPECIFIED:  
DIMENSIONS ARE IN MILLIMETERS  
WEIGHT ARE IN KILOGRAMM

PART NUMBER / DWG NO.:

TSV007

	NAME	SIGNATURE	DATE	REVISION
DRAWN	M.Rebase		25.06.2015	
APPV'D				

DESCRIPTION:

Jumping track



**Tiptap** OÜ

Tiptap OÜ  
Veetorni 9,  
Jüri alevik, Rae vald,  
75301 Harjumaa

MATERIAL:

wood, metal, plastic

A4

WEIGHT:

SCALE: 1:60

SHEET 2 OF 6

# foundation

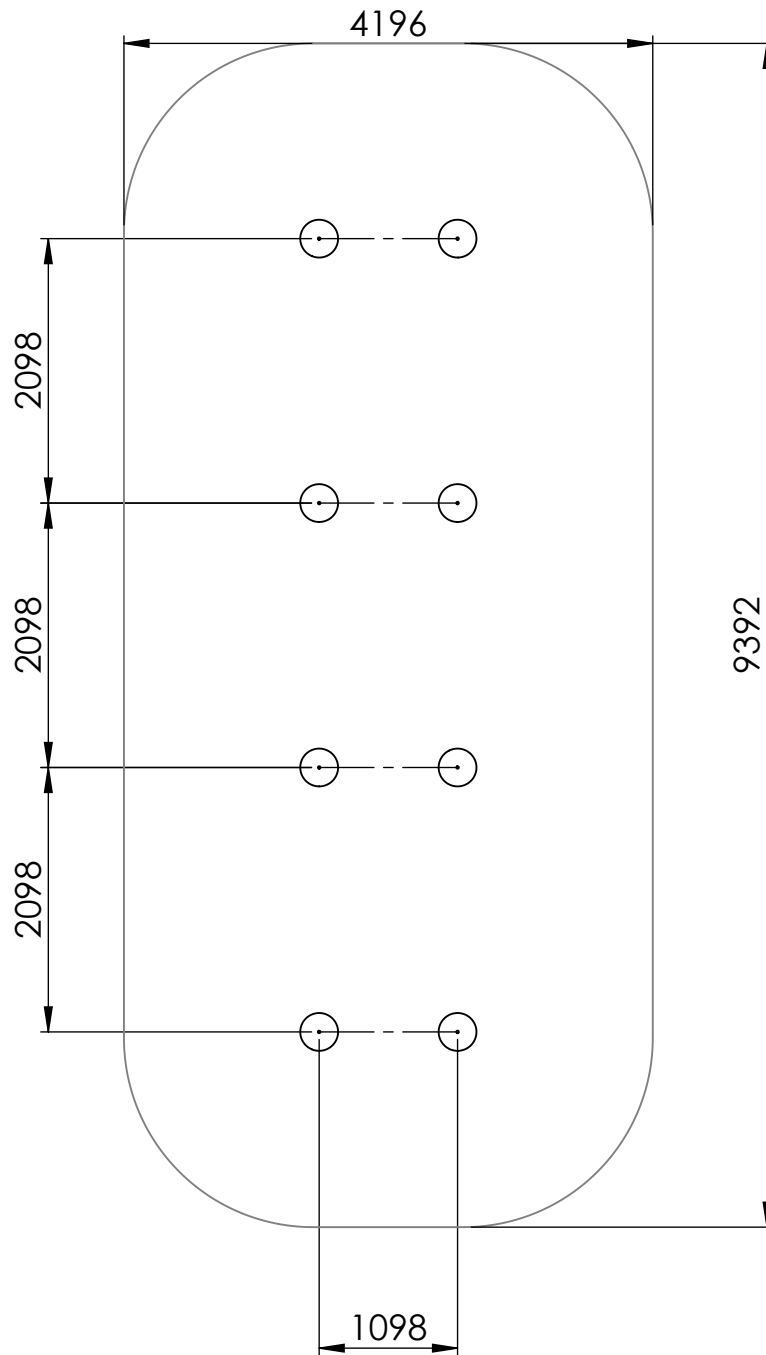
A

B

C

D

E



UNLESS OTHERWISE SPECIFIED:  
DIMENSIONS ARE IN MILLIMETERS  
WEIGHT ARE IN KILOGRAMM

PART NUMBER / DWG NO.:

TSV007

	NAME	SIGNATURE	DATE	REVISION
DRAWN	M.Rebase		25.06.2015	
APPV'D				

DESCRIPTION:

Jumping track



**Tiptaptap** OÜ

Tiptaptap OÜ  
Veetorni 9,  
Jüri alevik, Rae vald,  
75301 Harjumaa

MATERIAL:

wood, metal, plastic

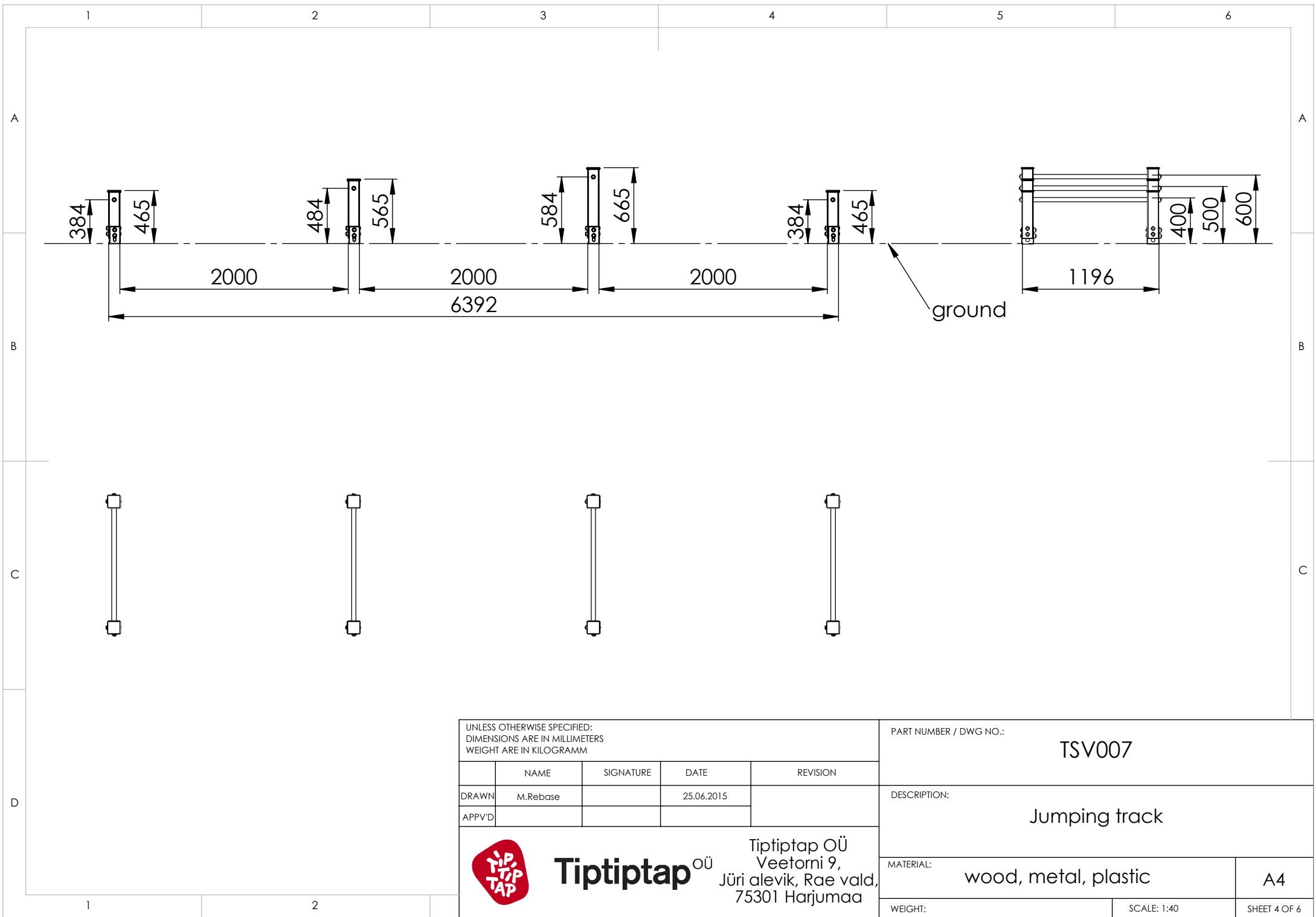
A4

WEIGHT:

SCALE: 1:60

SHEET 3 OF 6

F



UNLESS OTHERWISE SPECIFIED:  
 DIMENSIONS ARE IN MILLIMETERS  
 WEIGHT ARE IN KILOGRAMM

PART NUMBER / DWG NO.: **TSV007**

	NAME	SIGNATURE	DATE	REVISION
DRAWN	M.Rebase		25.06.2015	
APPV'D				

DESCRIPTION:  
**Jumping track**



**Tiptiptap** OÜ  
 Veetorni 9,  
 Jüri alevik, Rae vald,  
 75301 Harjumaa

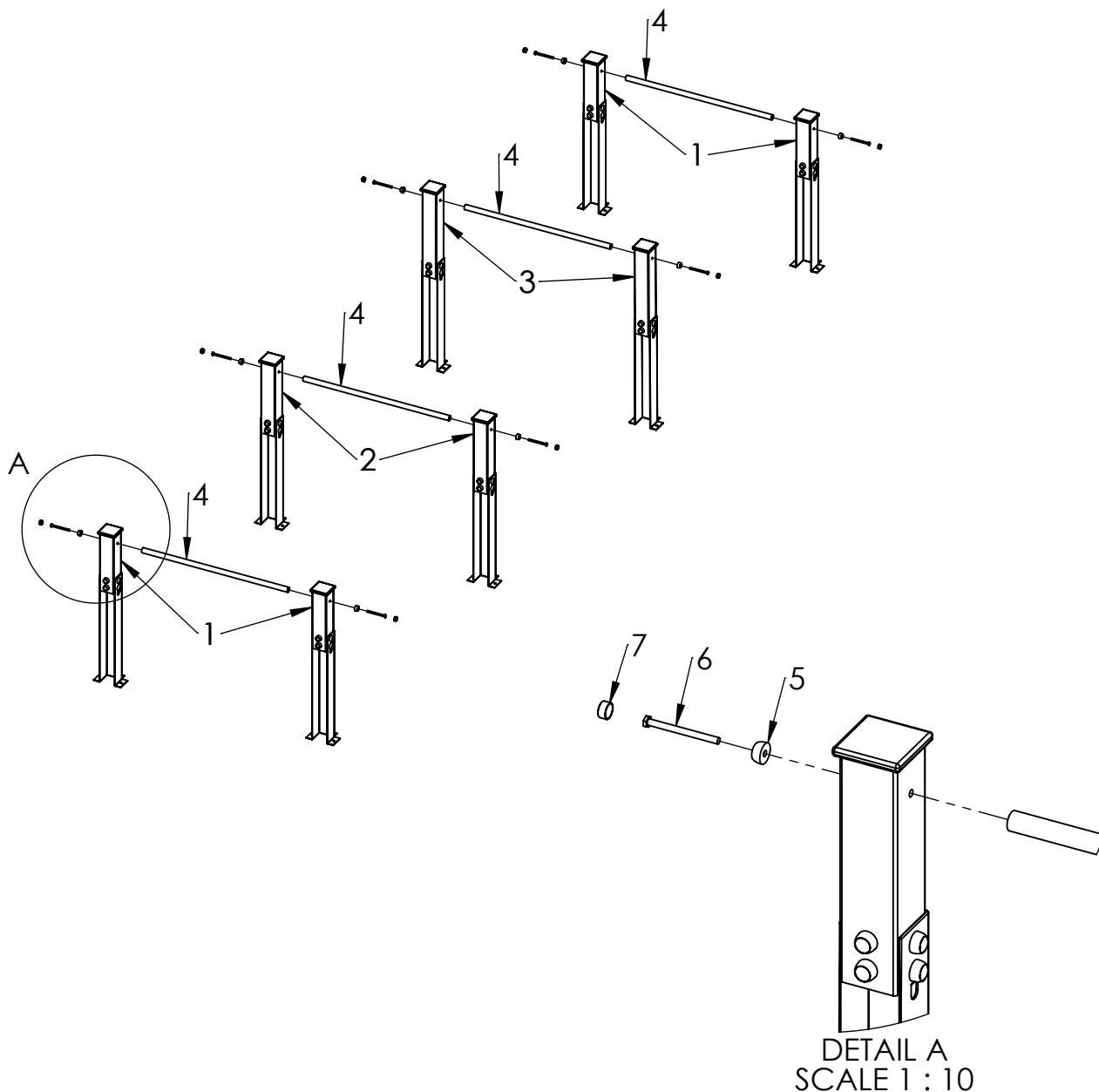
MATERIAL:	wood, metal, plastic	A4
WEIGHT:		SCALE: 1:40
		SHEET 4 OF 6

A

B

C

D



DETAIL A  
SCALE 1 : 10

ITEM NO.	PART NUMBER	DESCRIPTION	QTY.
1	post 98x98x400	laminated wood	4
2	post 98x98x500	laminated wood	2
3	post 98x98x600	laminated wood	2
4	beam 32x1000	painted steel	4
5	nut cover M10	PE plastic	40
6	bolt DIN931 M10x120	galvanized steel	8
7	nut cover cap M10	PE pastic	40

UNLESS OTHERWISE SPECIFIED:  
DIMENSIONS ARE IN MILLIMETERS  
WEIGHT ARE IN KILOGRAMM

PART NUMBER / DWG NO.:

TSV007

	NAME	SIGNATURE	DATE	REVISION
DRAWN	M.Rebase		25.06.2015	
APPV'D				

DESCRIPTION:

Jumping track

MATERIAL:

wood, metal, plastic

A4

WEIGHT:

SCALE: 1:40

SHEET 5 OF 6



**Tiptiptap** OÜ

Tiptiptap OÜ  
Veetorni 9,  
Jüri alevik, Rae vald,  
75301 Harjumaa

A

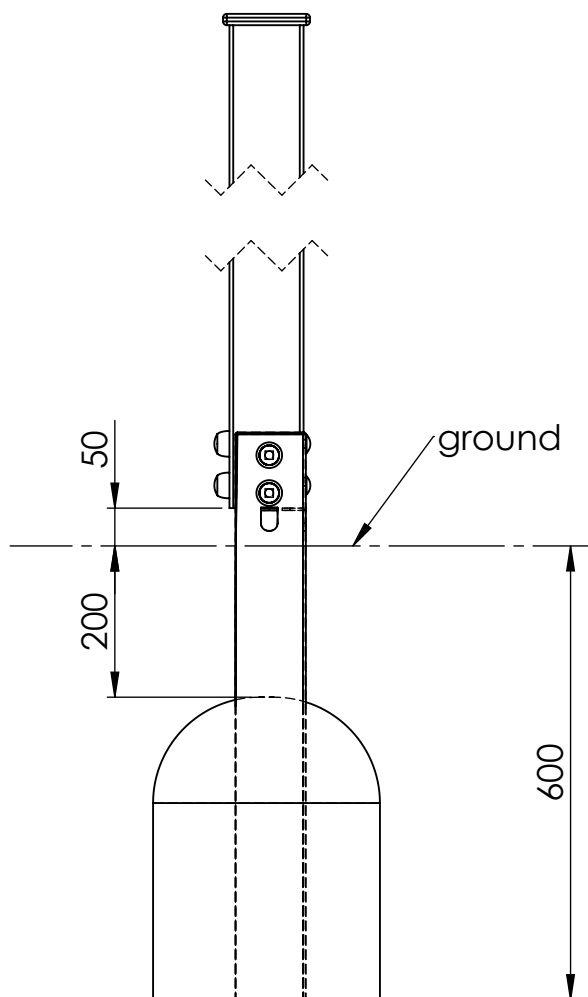
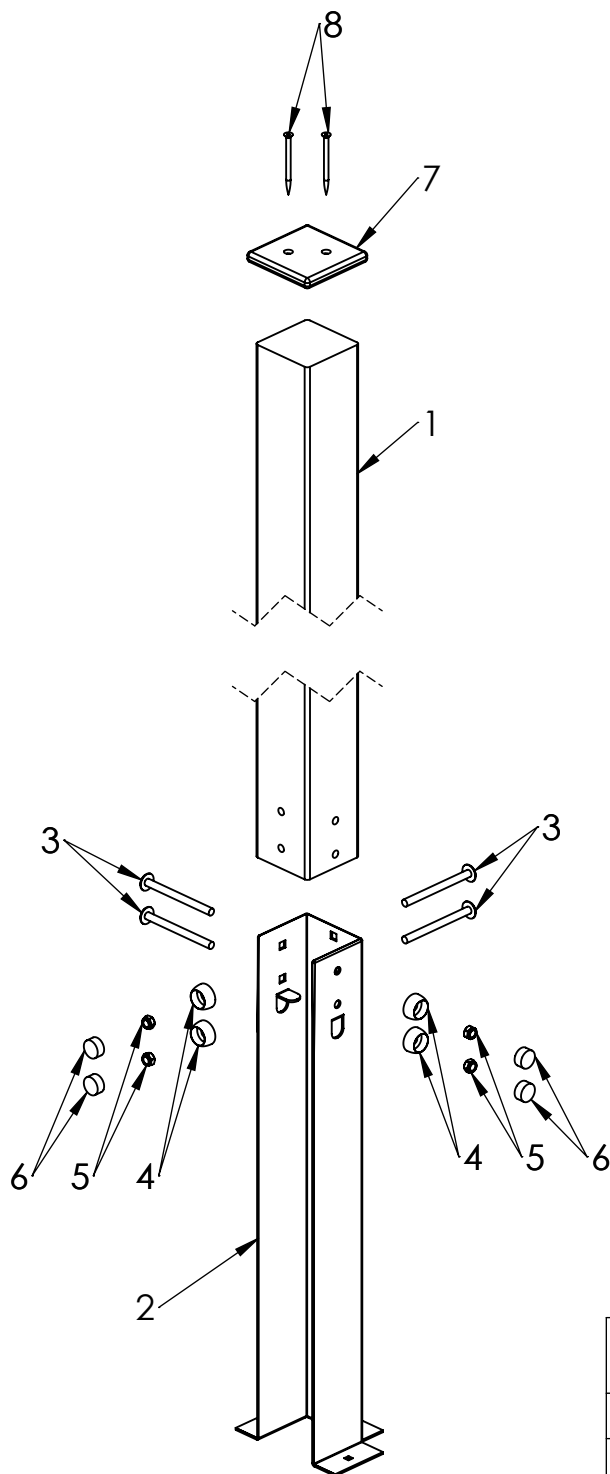
B

C

D

E

F



ITEM NO.	PART NUMBER
1	post 98x98
2	ground fixture
3	bolt DIN603 M10x120
4	nut cover M10
5	nut DIN985 M10
6	nut cover cap M10
7	plastic cap 115x115
8	woodscrew 6 x 90

UNLESS OTHERWISE SPECIFIED:  
DIMENSIONS ARE IN MILLIMETERS  
WEIGHT ARE IN KILOGRAMM

	NAME	SIGNATURE	DATE	REVISION
DRAWN	M.Rebase		25.06.2015	
APPV'D				

PART NUMBER / DWG NO.:

TSV007

DESCRIPTION:

Jumping track  
connecting ground fixture to post

MATERIAL:

wood, metal, plastic

A4

WEIGHT:

SCALE: 1:10

SHEET 6 OF 6



**Tiptiptap** OÜ

Tiptiptap OÜ  
Veetorni 9,  
Jüri alevik, Rae vald,  
75301 Harjumaa