

1

2

3

4

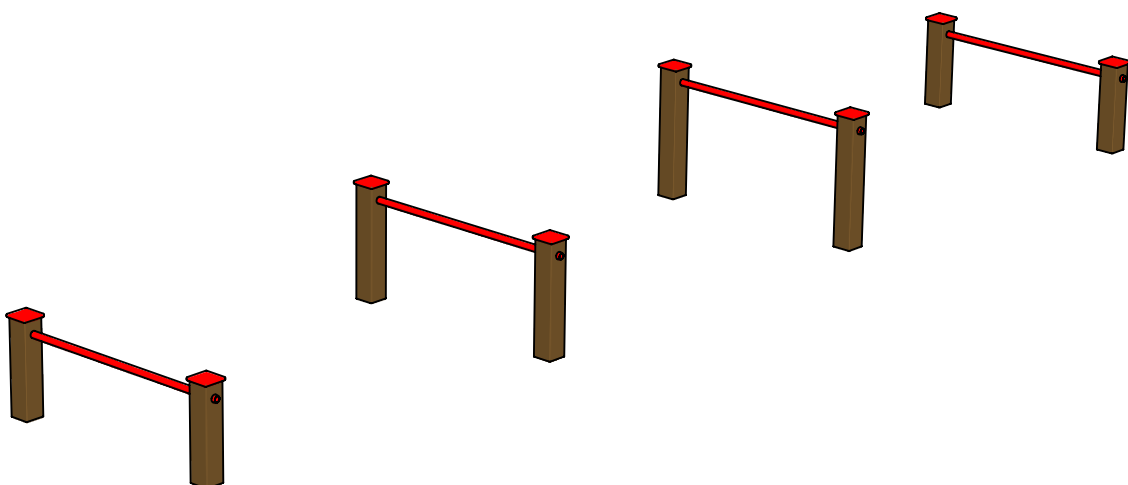
A

B

C

D

E



UNLESS OTHERWISE SPECIFIED: DIMENSIONS ARE IN MILLIMETERS WEIGHT ARE IN KILOGRAMM				
	NAME	SIGNATURE	DATE	REVISION
DRAWN	M.Rebase		17.10.2013	
APPV'D				

PART NUMBER / DWG NO.: **TSV007**

DESCRIPTION: **Jumping track**


Tiptaptap OÜ
 Veetorni 9,
 Jüri alevik, Rae vald,
 75301 Harjumaa

MATERIAL:	wood, metal, plastic	A4
WEIGHT:	SCALE: 1:30	SHEET 1 OF 6

safety area

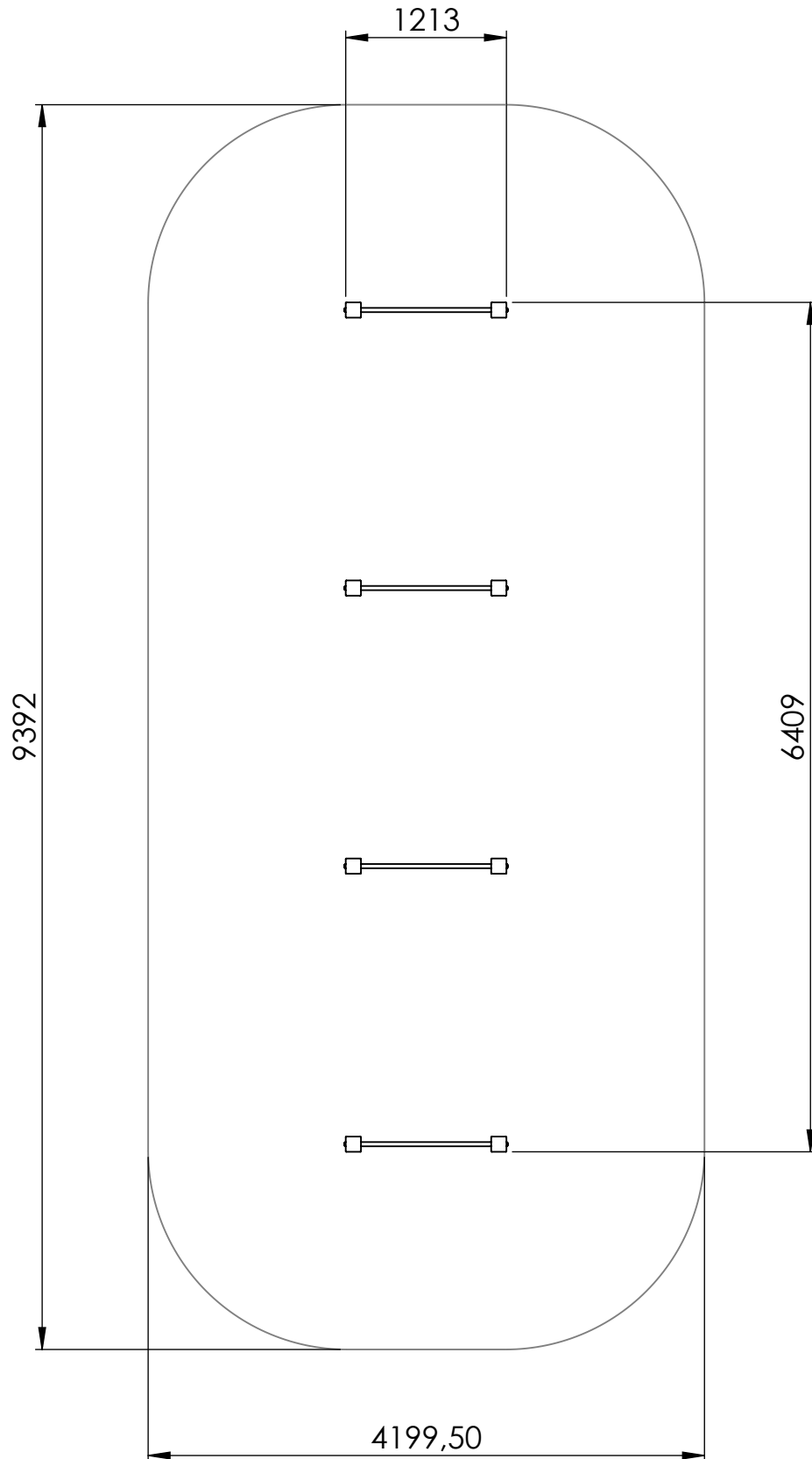
A

B

C

D

E



UNLESS OTHERWISE SPECIFIED:
DIMENSIONS ARE IN MILLIMETERS
WEIGHT ARE IN KILOGRAMM

PART NUMBER / DWG NO.:

TSV007

	NAME	SIGNATURE	DATE	REVISION
DRAWN	M.Rebase		17.10.2013	
APPV'D				

DESCRIPTION:

Jumping track

F



Tiptaptap OÜ

Tiptaptap OÜ
Veetorni 9,
Jüri alevik, Rae vald,
75301 Harjumaa

MATERIAL:

wood, metal, plastic

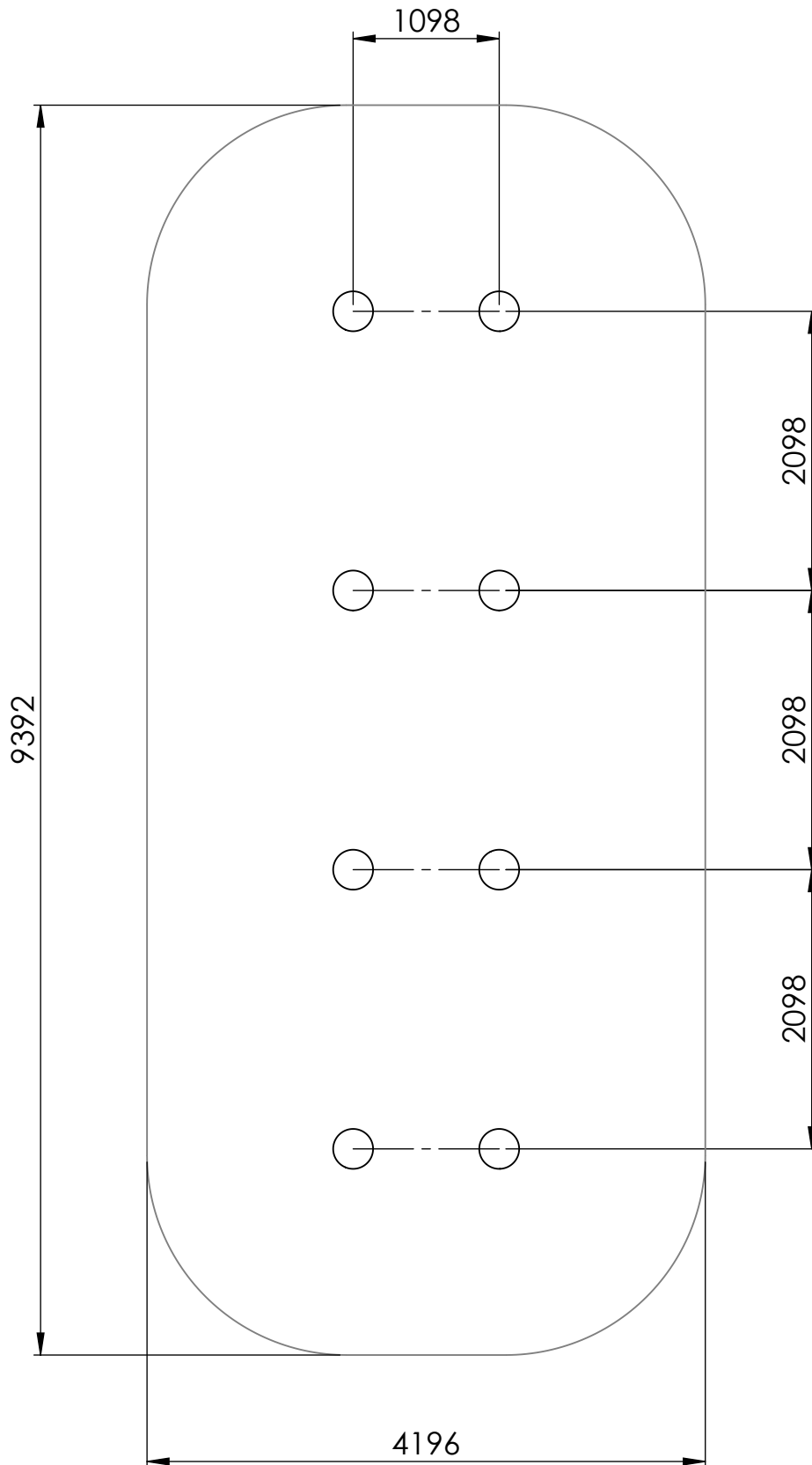
A4

WEIGHT:

SCALE: 1:50

SHEET 2 OF 6

foundation



UNLESS OTHERWISE SPECIFIED:
DIMENSIONS ARE IN MILLIMETERS
WEIGHT ARE IN KILOGRAMM

PART NUMBER / DWG NO.:

TSV007

	NAME	SIGNATURE	DATE	REVISION
DRAWN	M.Rebase		17.10.2013	
APPV'D				

DESCRIPTION:

Jumping track



Tiptap OÜ

Tiptap OÜ
Veetorni 9,
Jüri alevik, Rae vald,
75301 Harjumaa

MATERIAL:

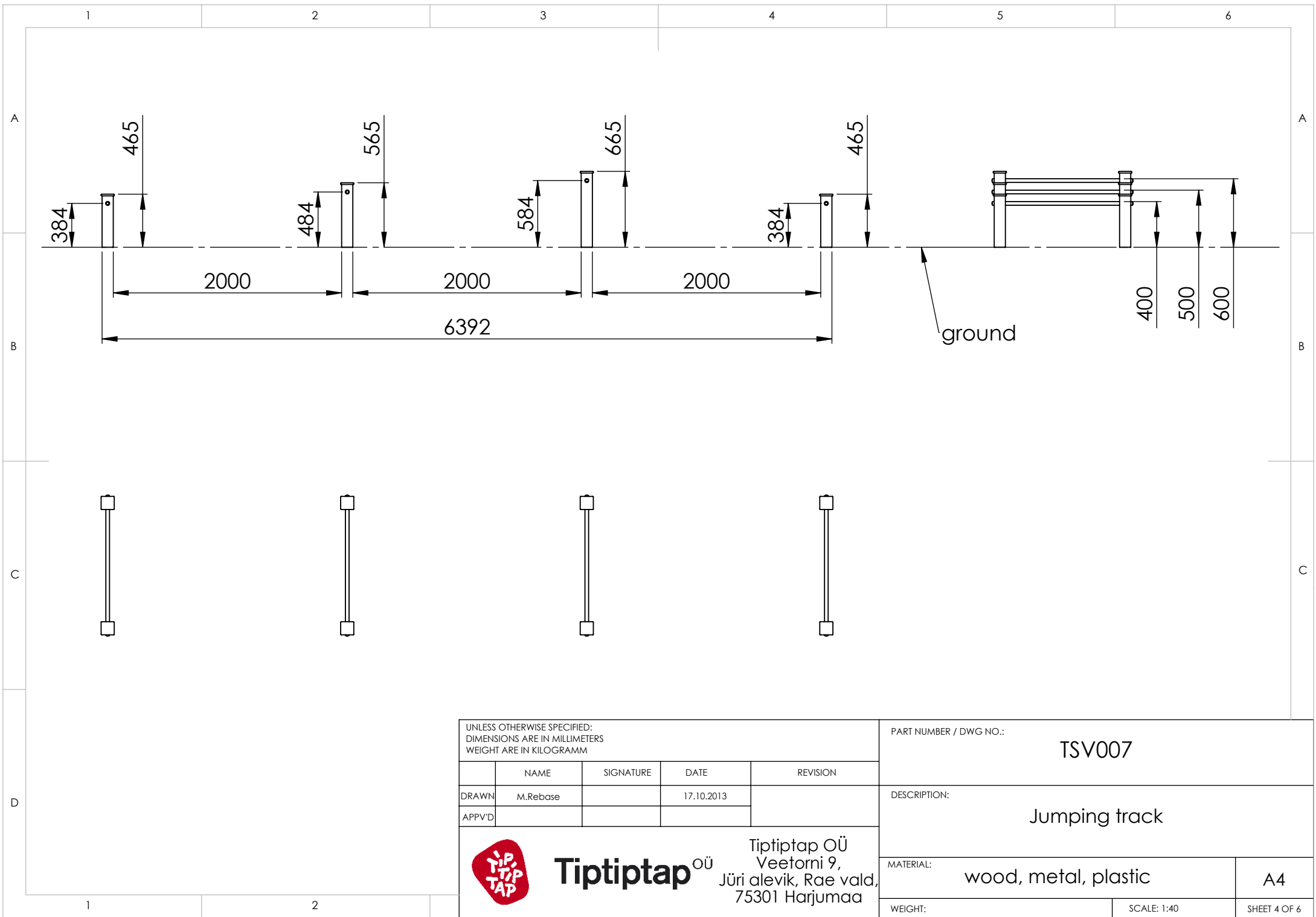
wood, metal, plastic

A4

WEIGHT:

SCALE: 1:50

SHEET 3 OF 6



UNLESS OTHERWISE SPECIFIED:
 DIMENSIONS ARE IN MILLIMETERS
 WEIGHT ARE IN KILOGRAMM

PART NUMBER / DWG NO.: **TSV007**

	NAME	SIGNATURE	DATE	REVISION
DRAWN	M.Rebase		17.10.2013	
APPV'D				

DESCRIPTION: **Jumping track**



Tiptiptap OÜ
 Veetorni 9,
 Jüri alevik, Rae vald,
 75301 Harjumaa

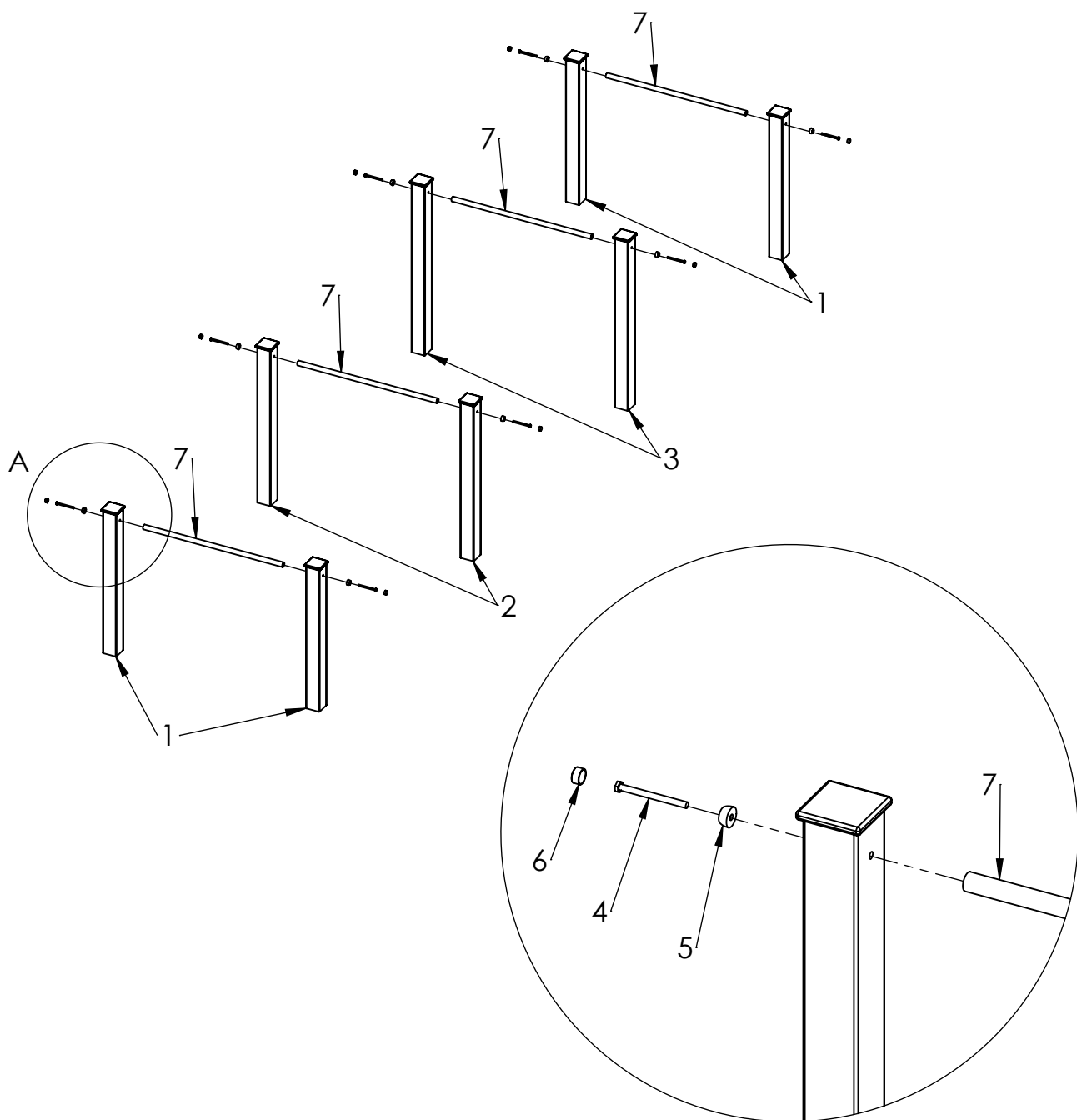
MATERIAL:	wood, metal, plastic	A4
WEIGHT:	SCALE: 1:40	SHEET 4 OF 6

A

B

C

D



ITEM NO.	PART NUMBER	Material	QTY.
1	post 98x98x1050	impregnated laminated wood	4
2	post 98x98x1150	impregnated laminated wood	2
3	post 98x98x1250	impregnated laminated wood	2
4	bolt DIN931 M10x120	galvanized steel	8
5	nut cover M10	PE plastic	8
6	nut cover cap M10	PE plastic	8
7	beam 32x1000	painted steel	4

UNLESS OTHERWISE SPECIFIED:
DIMENSIONS ARE IN MILLIMETERS
WEIGHT ARE IN KILOGRAMM

PART NUMBER / DWG NO.:

TSV007

	NAME	SIGNATURE	DATE	REVISION
DRAWN	M.Rebase		17.10.2013	
APPV'D				

DESCRIPTION:

Jumping track

MATERIAL:

wood, metal, plastic

A4

WEIGHT:

SCALE: 1:40

SHEET 5 OF 6

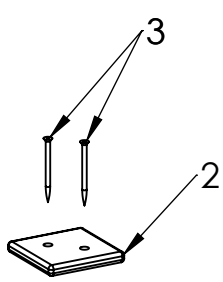


Tiptaptap OÜ

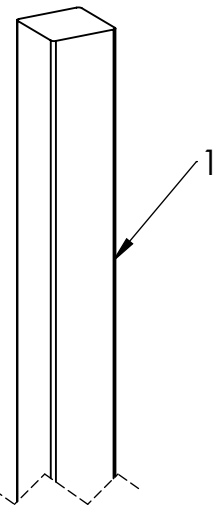
Tiptaptap OÜ
Veetorni 9,
Jüri alevik, Rae vald,
75301 Harjumaa

F

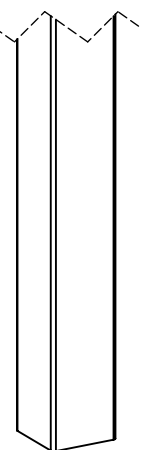
A



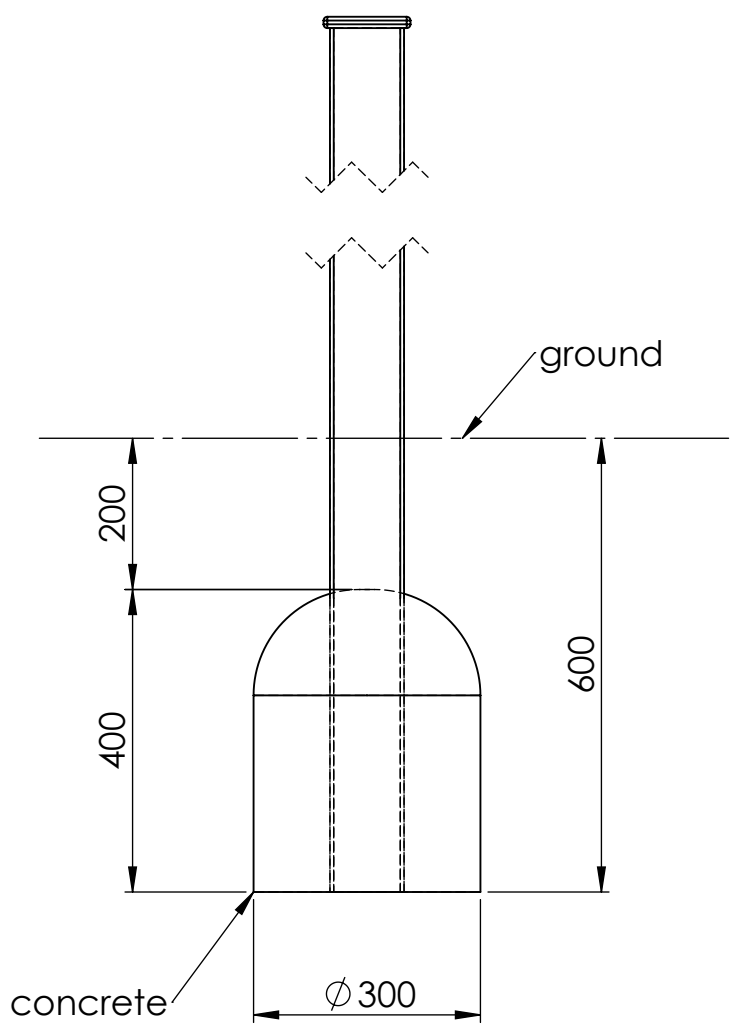
B



C



D



E

ITEM NO.	PART NUMBER
1	post 98x98
2	plastic cap 115x115
3	woodscrew 6 x 90

F

UNLESS OTHERWISE SPECIFIED: DIMENSIONS ARE IN MILLIMETERS WEIGHT ARE IN KILOGRAMM				
	NAME	SIGNATURE	DATE	REVISION
DRAWN	M.Rebase		10.12.2009	
APPV'D				

PART NUMBER / DWG NO.:	TSV007
DESCRIPTION:	Jumping track installing post



Tiptaptap OÜ
 Veetorni 9,
 Jüri alevik, Rae vald,
 75301 Harjumaa

MATERIAL:	wood, metal, plastic	A4
WEIGHT:	SCALE: 1:10	SHEET 6 OF 6