

A

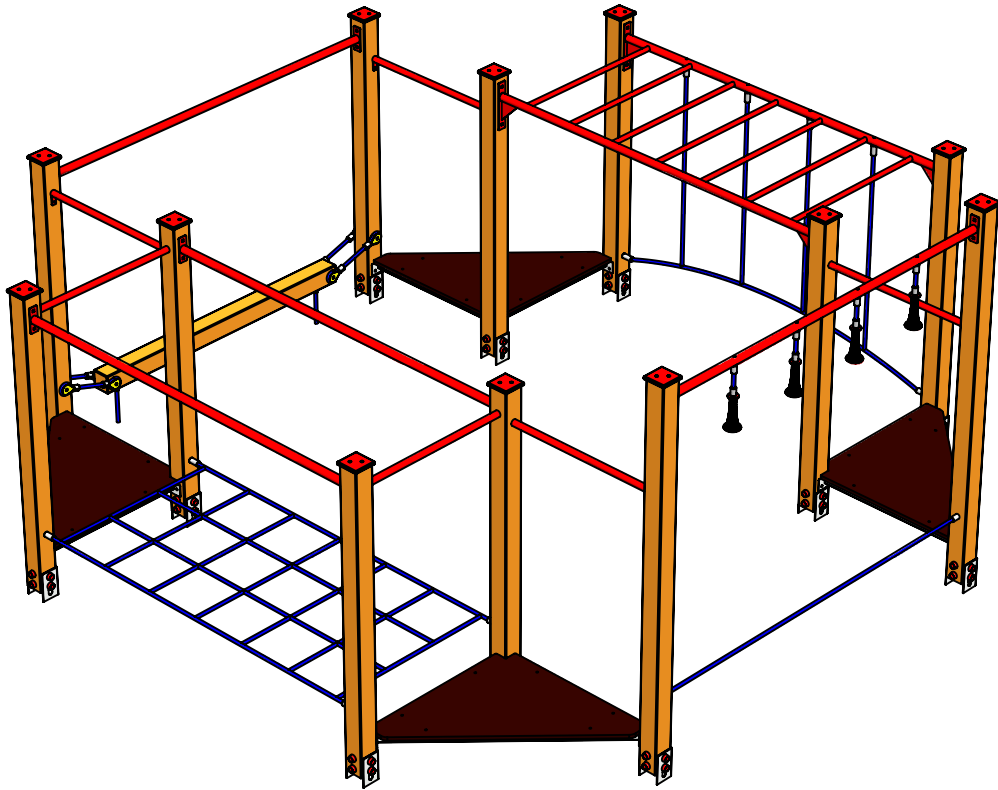
B

C

D

E

F



UNLESS OTHERWISE SPECIFIED:
 DIMENSIONS ARE IN MILLIMETERS
 WEIGHT ARE IN KILOGRAMM

PART NUMBER / DWG NO.:

TKR001-4

	NAME	SIGNATURE	DATE	REVISION
DRAWN	M.Rebase		30.03.2015	
APPV'D				

DESCRIPTION:

Balance track 4



Tiptaptap OÜ

Tiptaptap OÜ
 Veetorni 9,
 Jüri alevik, Rae vald,
 75301 Harjumaa

MATERIAL:

wood, metal, plastic

A4

WEIGHT:

SCALE: 1:30

SHEET 1 OF 12

safety area

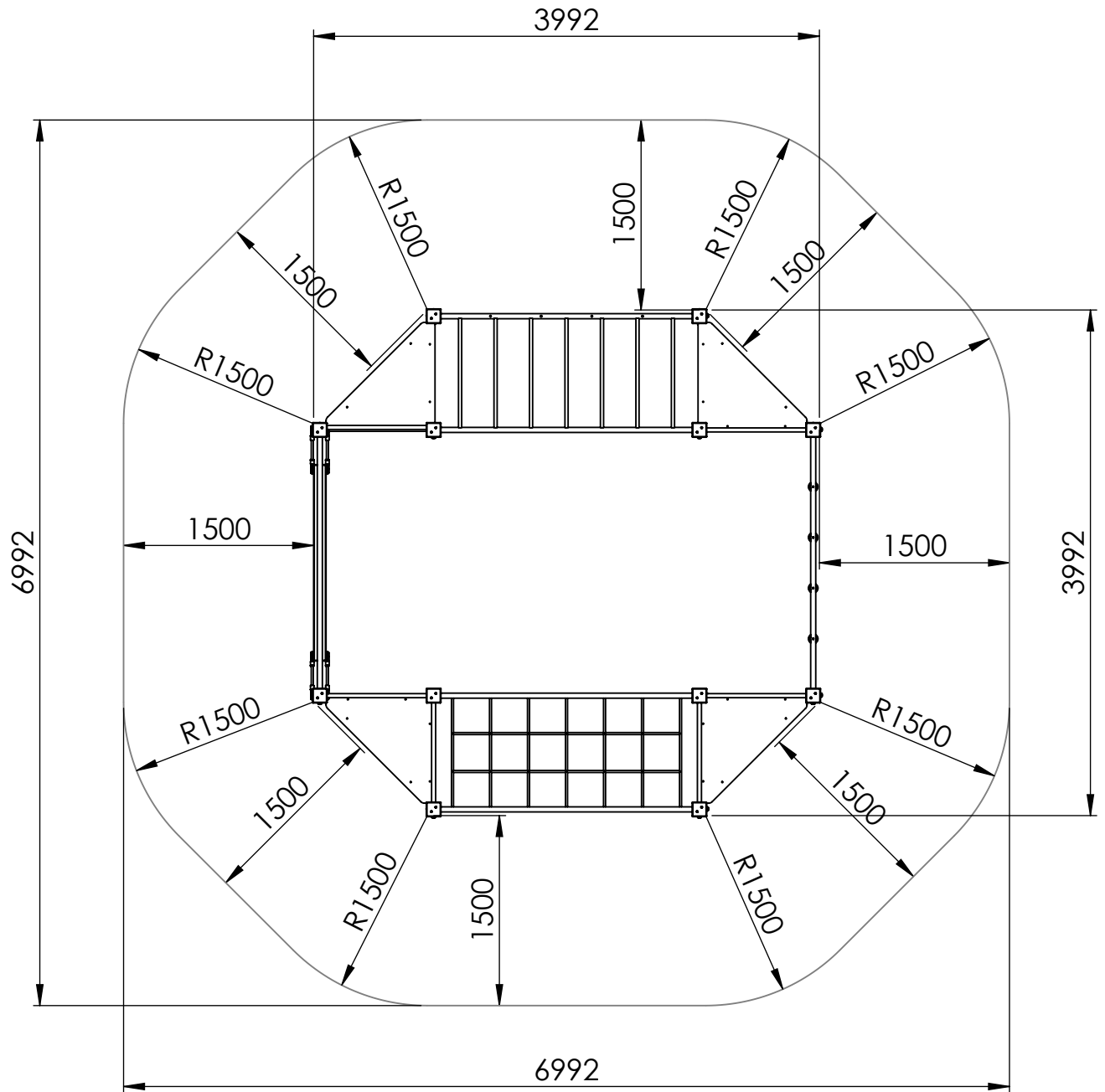
A

B

C

D

E



UNLESS OTHERWISE SPECIFIED:
DIMENSIONS ARE IN MILLIMETERS
WEIGHT ARE IN KILOGRAMM

PART NUMBER / DWG NO.:

TKR001-4

	NAME	SIGNATURE	DATE	REVISION
DRAWN	M.Rebase		30.03.2015	
APPV'D				

DESCRIPTION:

Balance track 4



Tiptaptap OÜ

Tiptaptap OÜ
Veetorni 9,
Jüri alevik, Rae vald,
75301 Harjumaa

MATERIAL:

wood, metal, plastic

A4

WEIGHT:

SCALE: 1:50

SHEET 2 OF 12

safety area

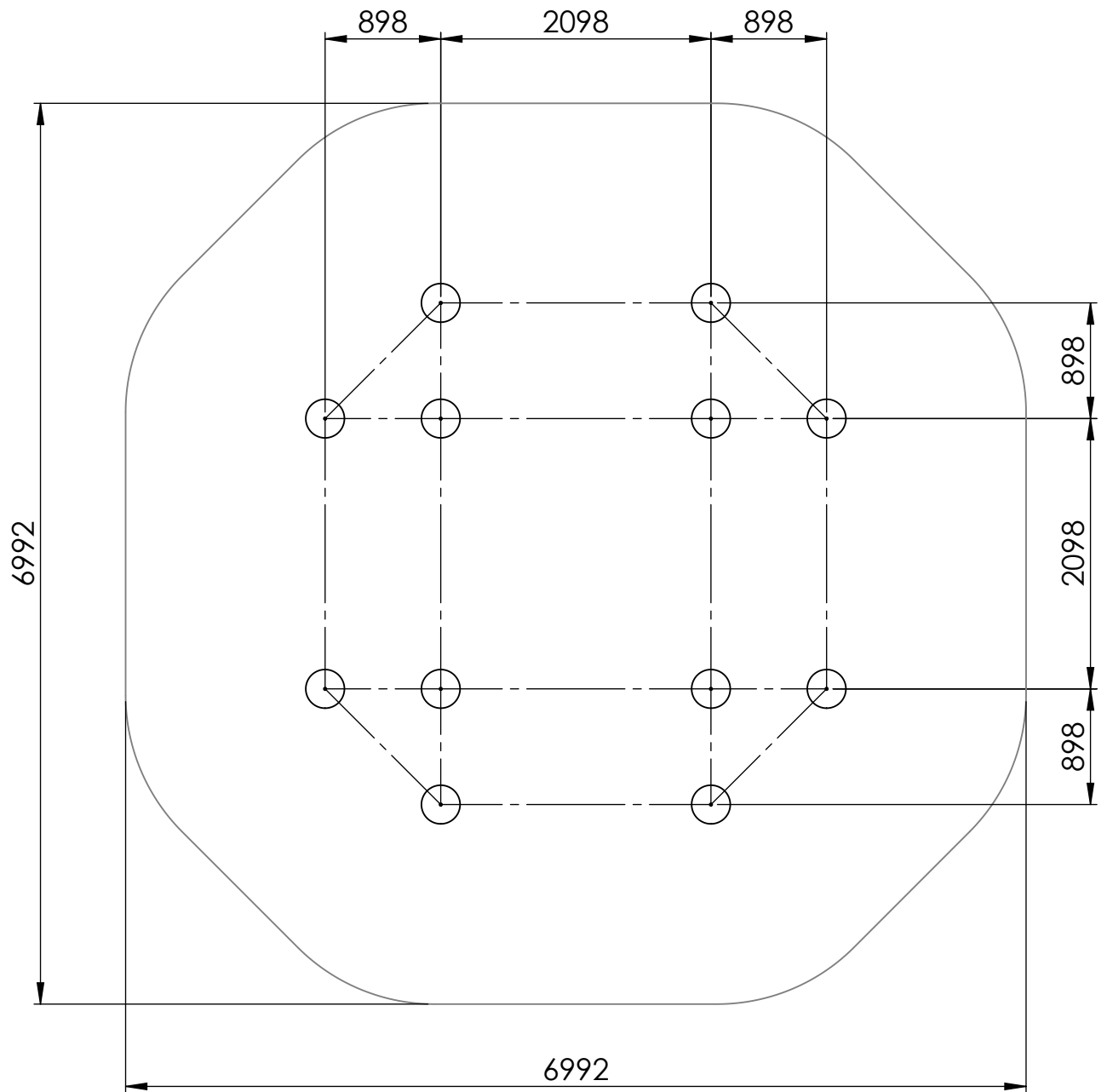
A

B

C

D

E



UNLESS OTHERWISE SPECIFIED:
DIMENSIONS ARE IN MILLIMETERS
WEIGHT ARE IN KILOGRAMM

PART NUMBER / DWG NO.:

TKR001-4

	NAME	SIGNATURE	DATE	REVISION
DRAWN	M.Rebase		30.03.2015	
APPV'D				

DESCRIPTION:

Balance track 4



Tiptaptap OÜ

Tiptaptap OÜ
Veetorni 9,
Jüri alevik, Rae vald,
75301 Harjumaa

MATERIAL:

wood, metal, plastic

A4

WEIGHT:

SCALE: 1:50

SHEET 3 OF 12

A

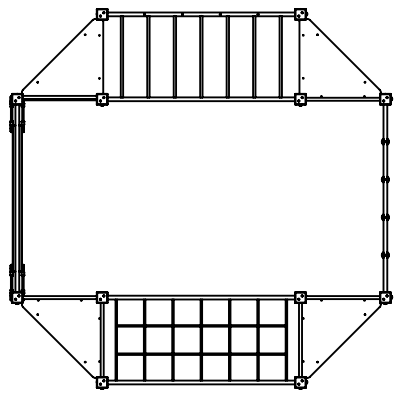
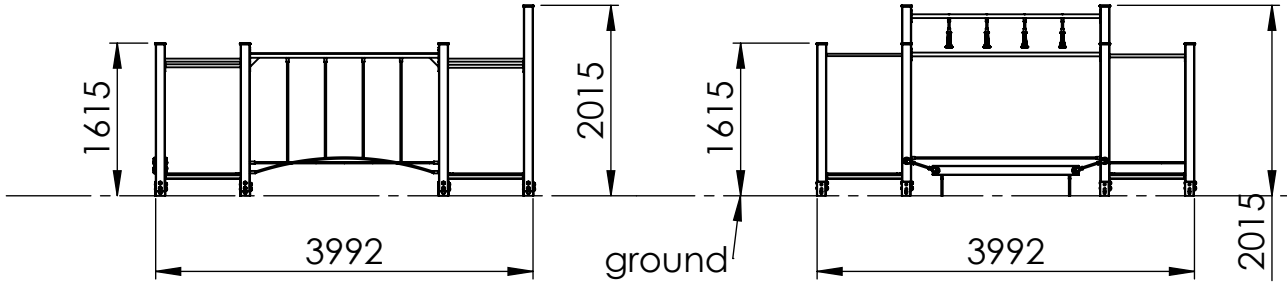
B

C

D

E

F



UNLESS OTHERWISE SPECIFIED:
 DIMENSIONS ARE IN MILLIMETERS
 WEIGHT ARE IN KILOGRAMM

	NAME	SIGNATURE	DATE	REVISION
DRAWN	M.Rebase		30.03.2015	
APPV'D				

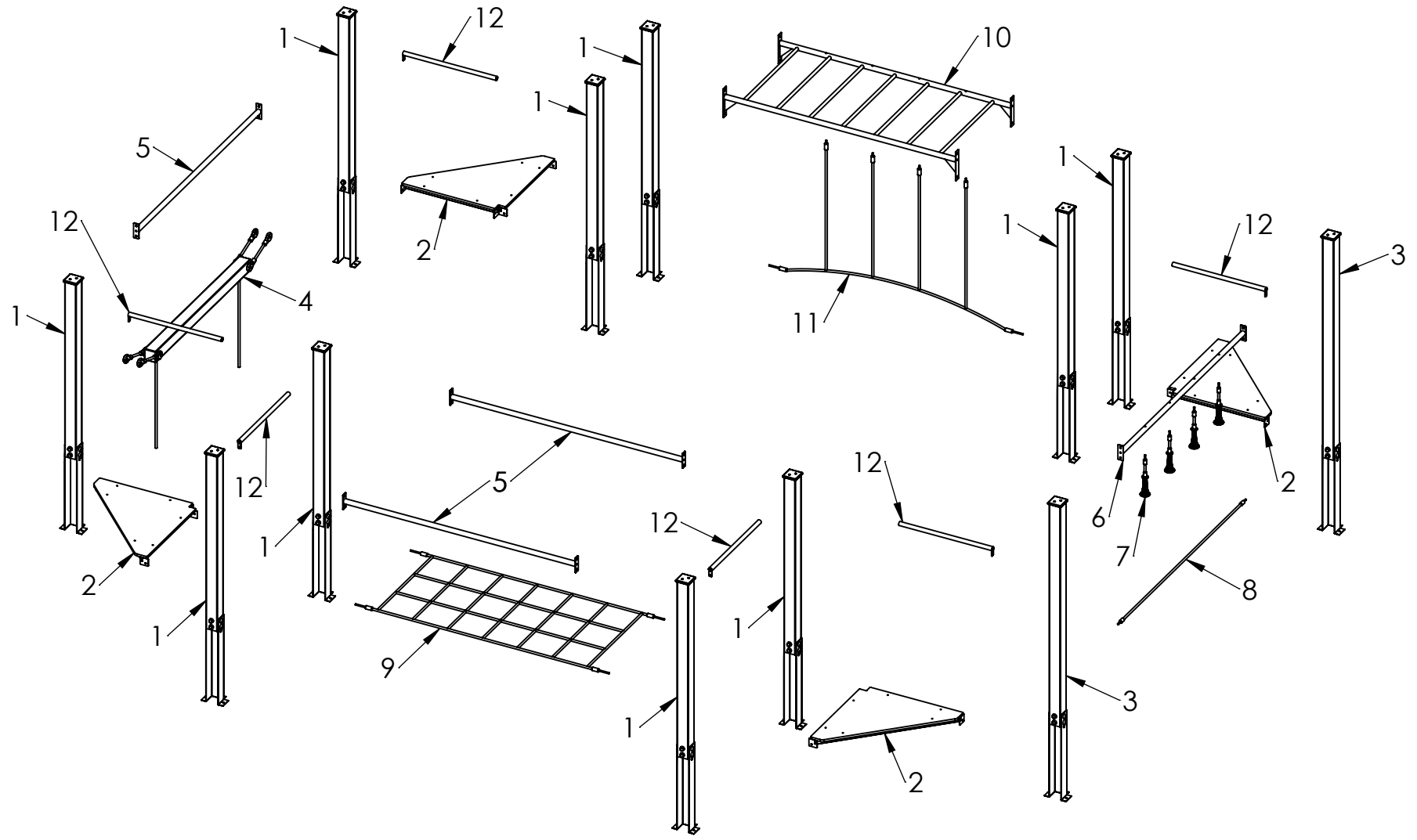
PART NUMBER / DWG NO.:
TKR001-4

DESCRIPTION:
Balance track 4



Tiptiptap OÜ
 Veetorni 9,
 Jüri alevik, Rae vald,
 75301 Harjumaa

MATERIAL:	wood, metal, plastic	A4
WEIGHT:	SCALE: 1:80	SHEET 4 OF 12



UNLESS OTHERWISE SPECIFIED:
 DIMENSIONS ARE IN MILLIMETERS
 WEIGHT ARE IN KILOGRAMM

	NAME	SIGNATURE	DATE	REVISION
DRAWN	M.Rebase		30.03.2015	
APPV'D				

PART NUMBER / DWG NO.:
TKR001-4

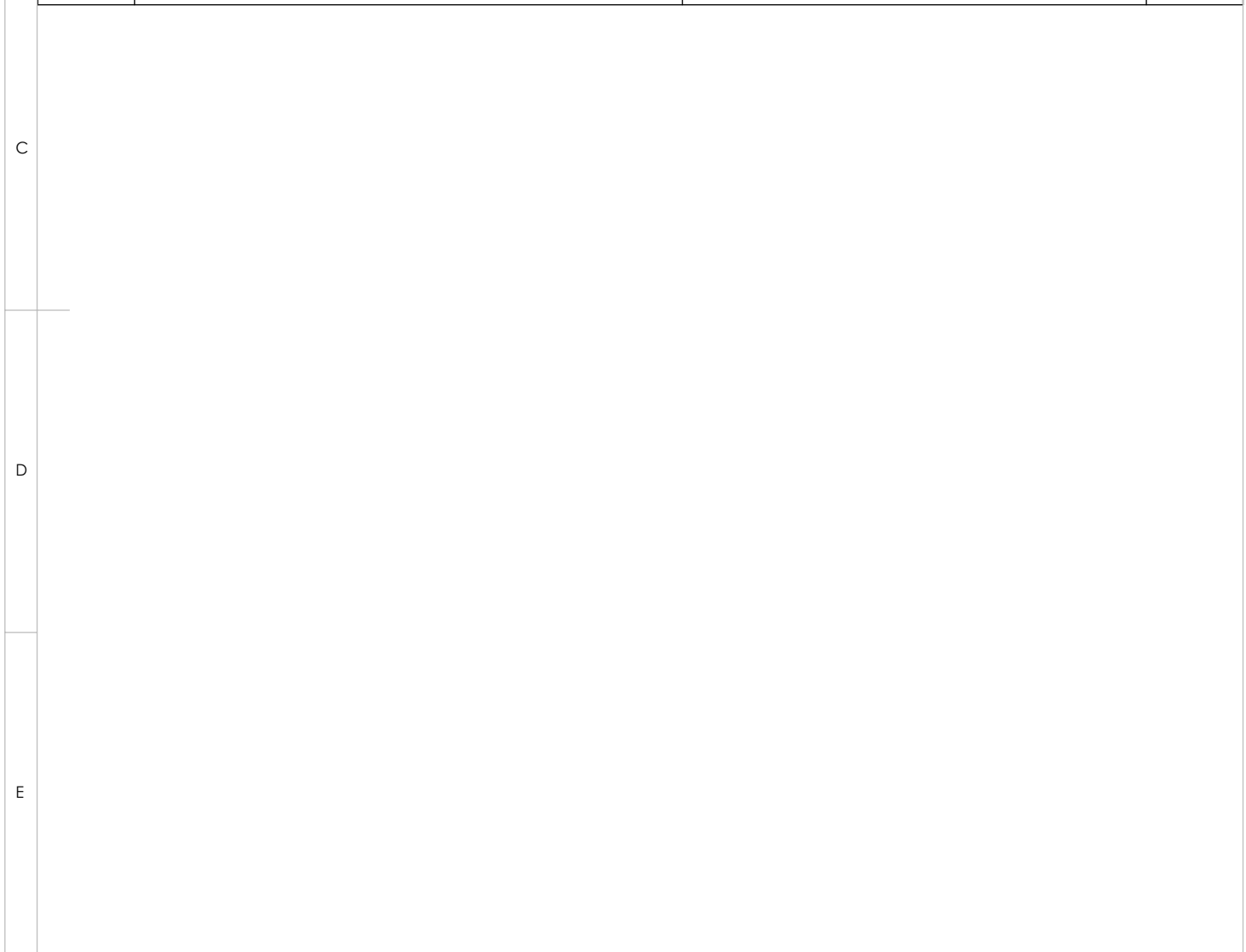
DESCRIPTION:
Balance track 4



Tiptaptap OÜ
 Veetorni 9,
 Jüri alevik, Rae vald,
 75301 Harjumaa

MATERIAL:	wood, metal, plastic	A4
WEIGHT:		SCALE: 1:45
		SHEET 5 OF 12

ITEM NO.	PART NUMBER	DESCRIPTION	QTY.
1	post 98x98x1550	laminated wood	10
2	triangle platform	plywood, metal	4
3	post 98x98x1950	laminated wood	2
4	balancing beam	laminated wood	1
5	beam 40x2000	painted steel	3
6	beam 40x2000, 4 holes	painted steel	1
7	handle	PP covered steel wire, plastic	4
8	rope L-2000	PP covered steel wire	1
9	net 898x2000	PP covered steel wire	1
10	horizontal ladder	painted steel	1
11	net 1175x2000	PP covered steel wire	1
12	guardrail ϕ 32x800	painted steel	6



UNLESS OTHERWISE SPECIFIED: DIMENSIONS ARE IN MILLIMETERS WEIGHT ARE IN KILOGRAMM				
	NAME	SIGNATURE	DATE	REVISION
DRAWN	M.Rebase		30.03.2015	
APPV'D				

PART NUMBER / DWG NO.:	TKR001-4
DESCRIPTION:	Balance track 4



Tiptiptap OÜ
 Veetorni 9,
 Jüri alevik, Rae vald,
 75301 Harjumaa

MATERIAL:	wood, metal, plastic	A4
WEIGHT:	SCALE: 1:45	SHEET 6 OF 12

A

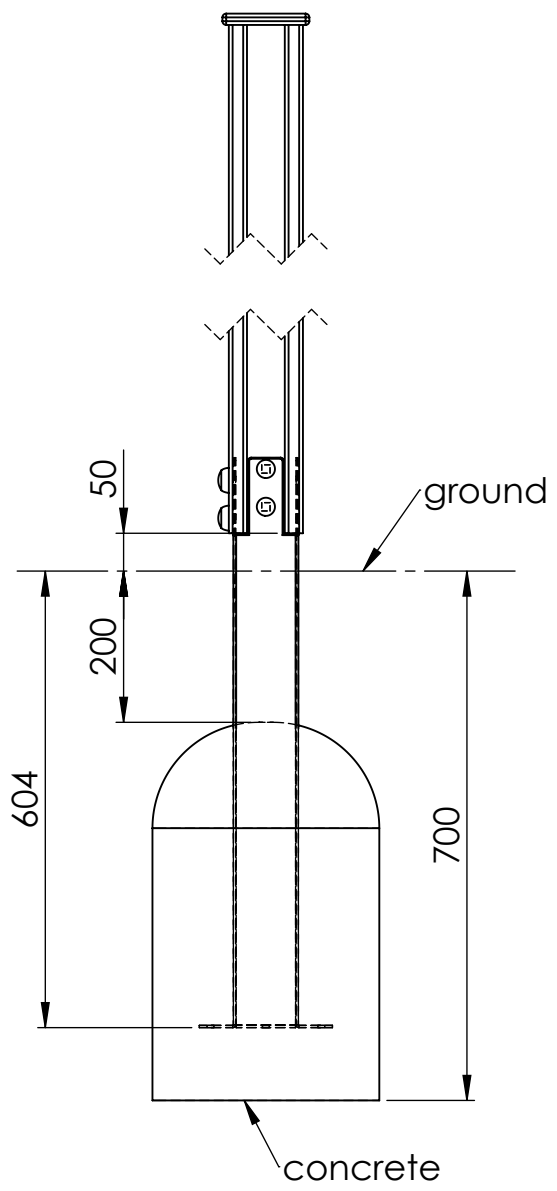
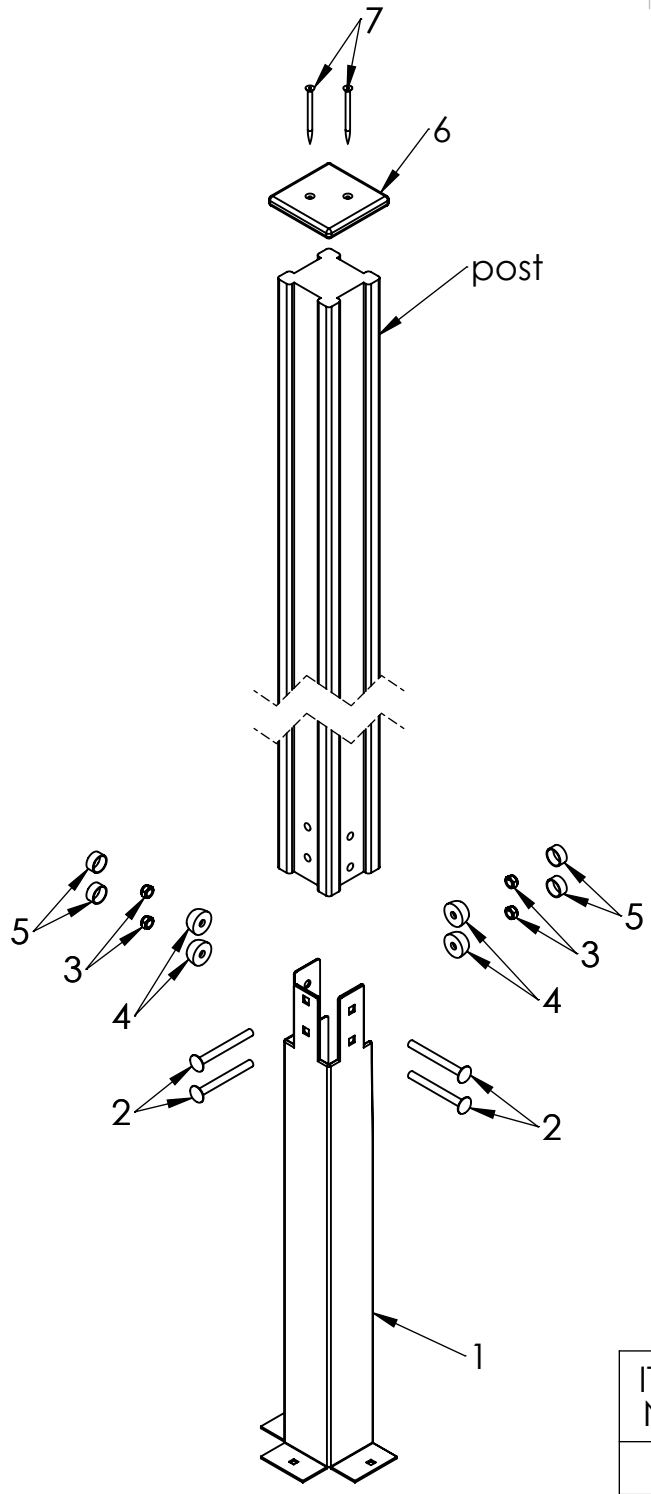
B

C

D

E

F



ITEM NO.	PART NUMBER
1	ground fixture
2	bolt DIN603 M10x100
3	nut DIN985 M10
4	nut cover M10
5	nut cover cap M10
6	plastic cap 115x115
7	woodscrew 6 x 90

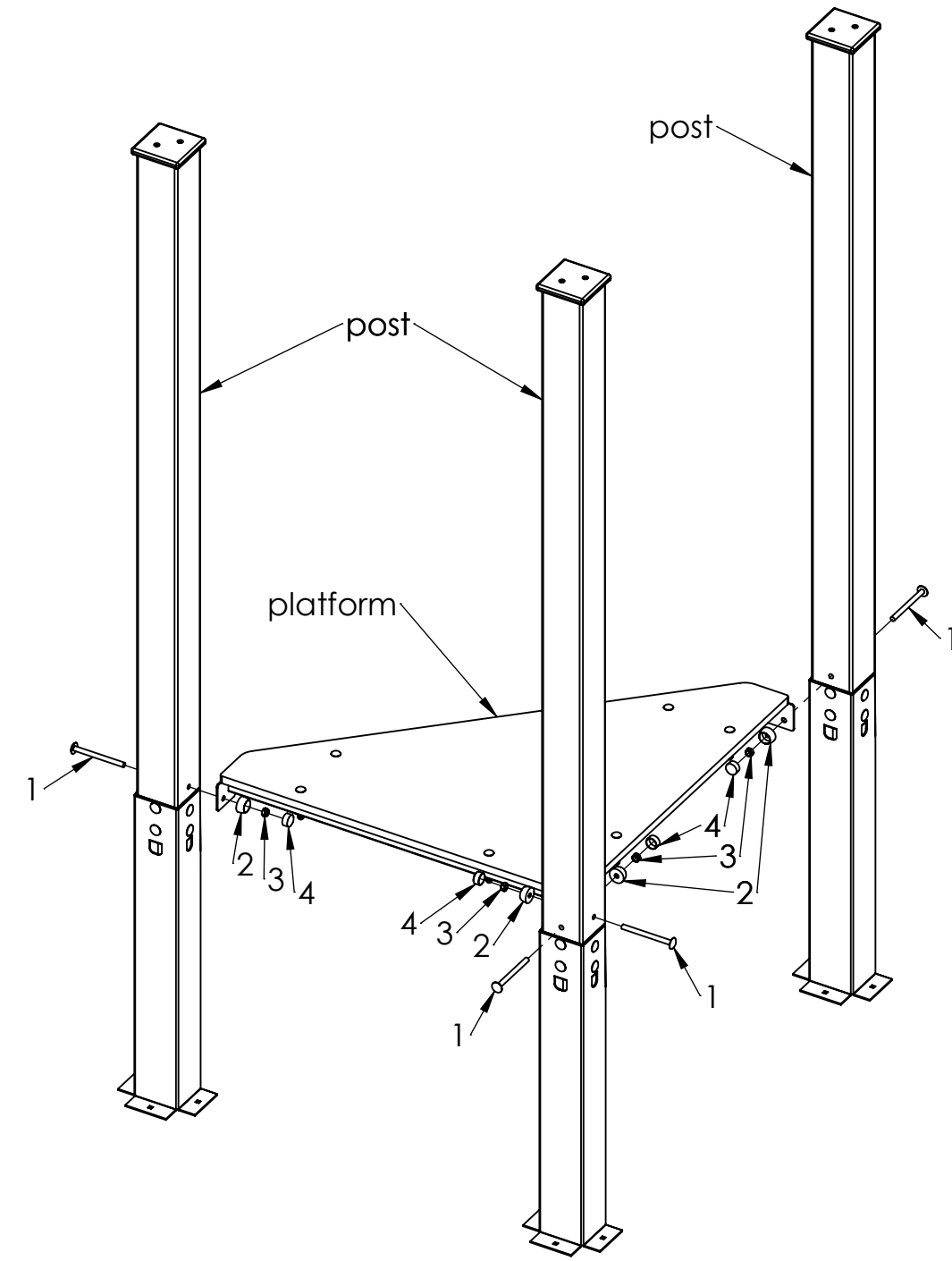
UNLESS OTHERWISE SPECIFIED: DIMENSIONS ARE IN MILLIMETERS WEIGHT ARE IN KILOGRAMM				
	NAME	SIGNATURE	DATE	REVISION
DRAWN	M.Rebase		30.03.2015	
APPV'D				

PART NUMBER / DWG NO.:	TKR001-4
DESCRIPTION:	Balance track 4



Tiptiptap OÜ
 Veetorni 9,
 Jüri alevik, Rae vald,
 75301 Harjumaa

MATERIAL:	wood, metal, plastic	A4
WEIGHT:	SCALE: 1:10	SHEET 7 OF 12



ITEM NO.	PART NUMBER
1	bolt DIN603 M10x120
2	nut cover M10
3	nut DIN985 M10
4	nut cover cap M10

UNLESS OTHERWISE SPECIFIED: DIMENSIONS ARE IN MILLIMETERS WEIGHT ARE IN KILOGRAMM				
	NAME	SIGNATURE	DATE	REVISION
DRAWN	M.Rebase		30.03.2015	
APPV'D				

PART NUMBER / DWG NO.:	TKR001-4
DESCRIPTION:	Balance track 4 connecting platform to post



Tiptap OÜ
Veetorni 9,
Jüri alevik, Rae vald,
75301 Harjumaa

MATERIAL:	wood, metal, plastic	A4
WEIGHT:	SCALE: 1:14	SHEET 8 OF 12

A

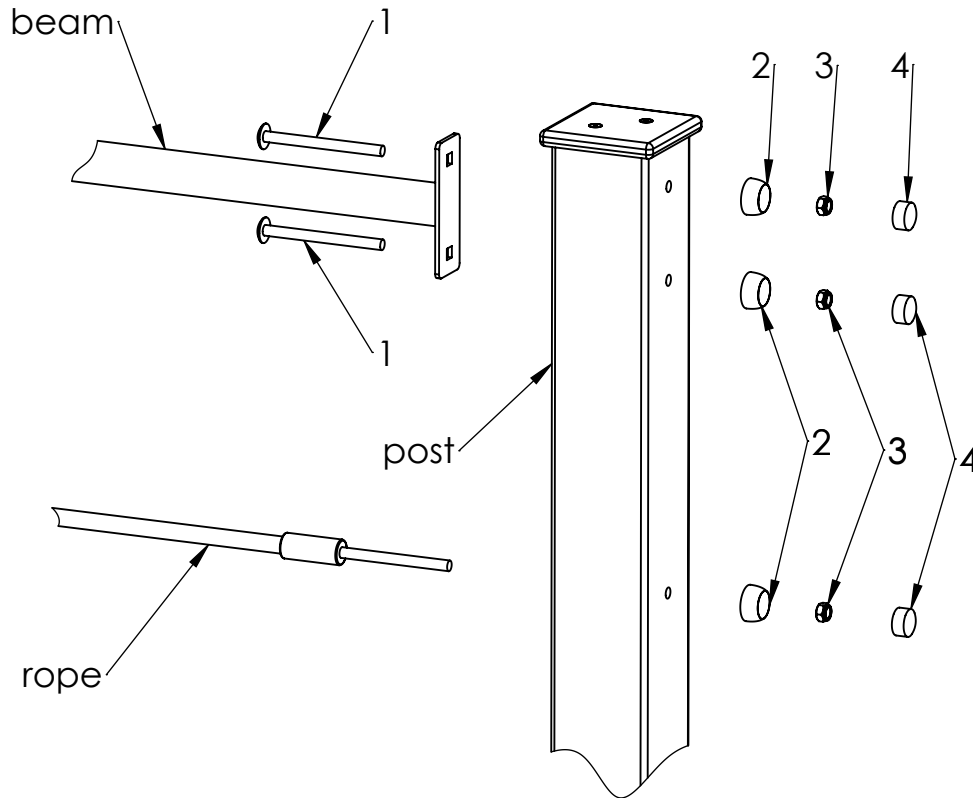
B

C

D

E

F



ITEM NO.	PART NUMBER
1	bolt DIN603 M10x120
2	nut cover M10
3	nut DIN985 M10
4	nut cover cap M10

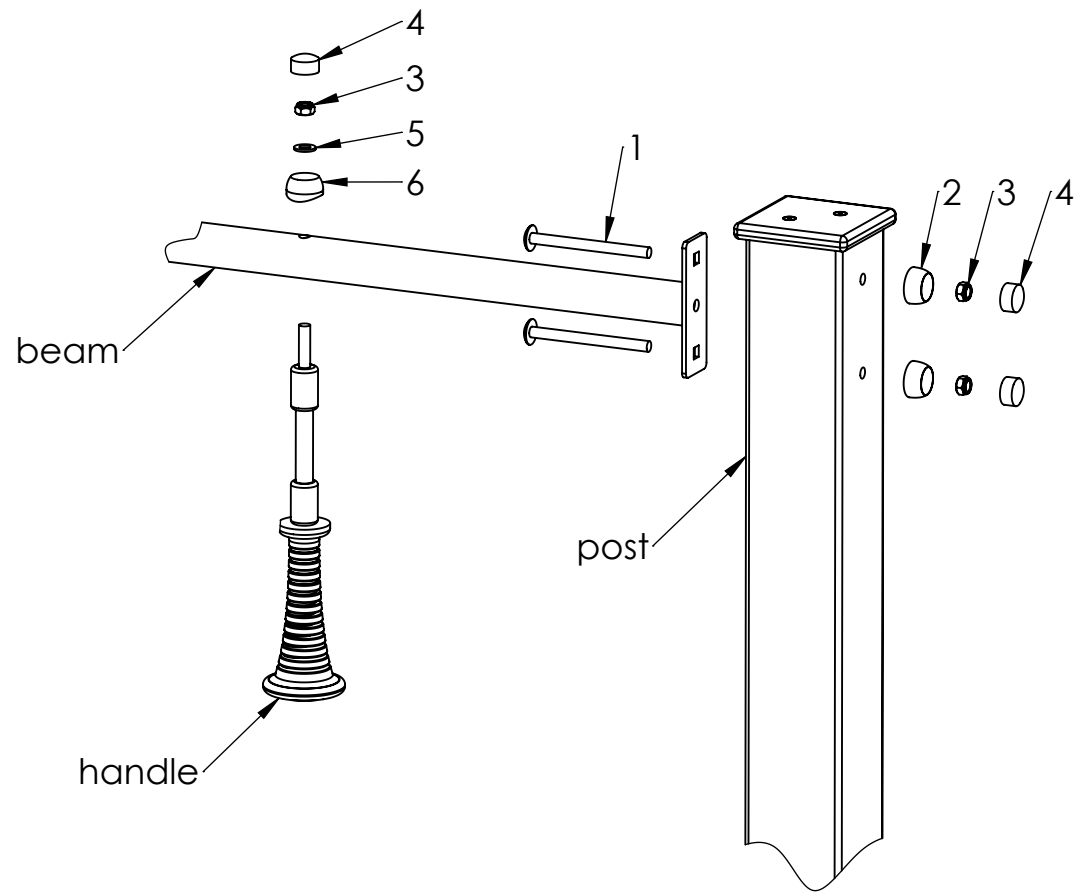
UNLESS OTHERWISE SPECIFIED: DIMENSIONS ARE IN MILLIMETERS WEIGHT ARE IN KILOGRAMM				
	NAME	SIGNATURE	DATE	REVISION
DRAWN	M.Rebase		23.03.2015	
APPV'D				

PART NUMBER / DWG NO.:	TKR001-4
DESCRIPTION:	Balance track 4 connecting beam and rope (net) to post



Tiptiptap OÜ
 Veetorni 9,
 Jüri alevik, Rae vald,
 75301 Harjumaa

MATERIAL:	wood, metal, plastic	A4
WEIGHT:	SCALE: 1:7	SHEET 9 OF 12



ITEM NO.	PART NUMBER
1	bolt DIN603 M10x120
2	nut cover M10
3	nut DIN985 M10
4	nut cover cap M10
5	washer M10
6	nut cover for beam M10

UNLESS OTHERWISE SPECIFIED:
DIMENSIONS ARE IN MILLIMETERS
WEIGHT ARE IN KILOGRAMM

PART NUMBER / DWG NO.:

TKR001-4

	NAME	SIGNATURE	DATE	REVISION
DRAWN	M.Rebase		23.03.2015	
APPV'D				

DESCRIPTION:

Balance track 4
connecting handles to beam

MATERIAL:

wood, metal, plastic

A4

WEIGHT:

SCALE: 1:7

SHEET 10 OF 12



Tiptiptap OÜ

Tiptiptap OÜ
Veetorni 9,
Jüri alevik, Rae vald,
75301 Harjumaa

A

B

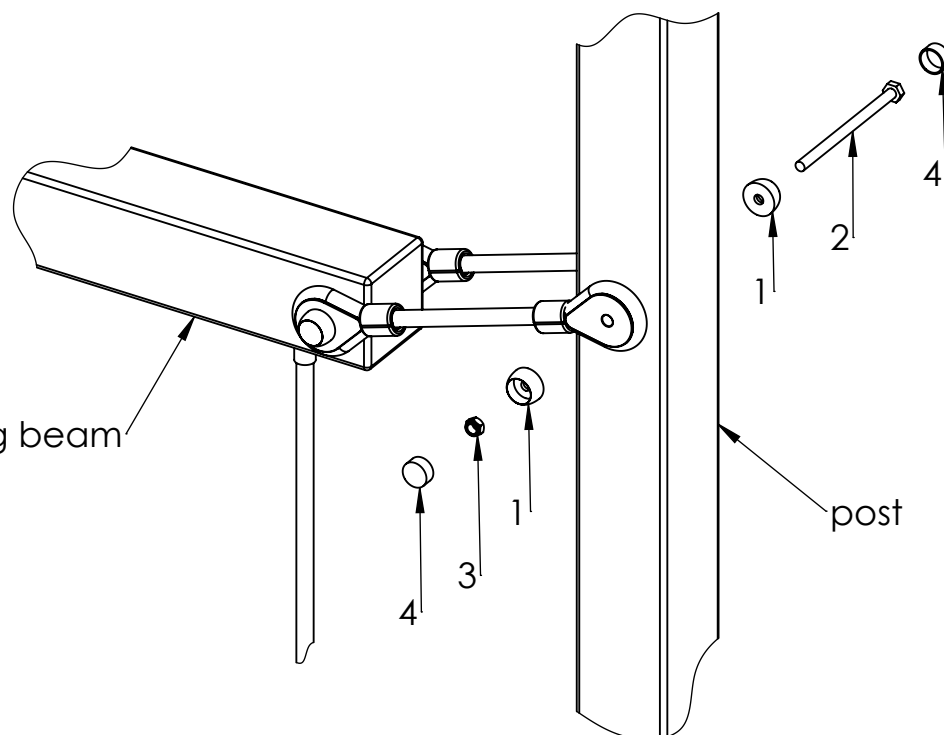
C

D

E

F

balancing beam



post

ITEM NO.	PART NUMBER
1	nut cover M10
2	bolt DIN931 M10x160
3	nut DIN985 M10
4	nut cover cap M10

UNLESS OTHERWISE SPECIFIED:
DIMENSIONS ARE IN MILLIMETERS
WEIGHT ARE IN KILOGRAMM

PART NUMBER / DWG NO.:

TKR001-4

	NAME	SIGNATURE	DATE	REVISION
DRAWN	M.Rebase		23.03.2015	
APPV'D				

DESCRIPTION:

Balance track 4
connecting balancing beam to post

MATERIAL:

wood, metal, plastic

A4

WEIGHT:

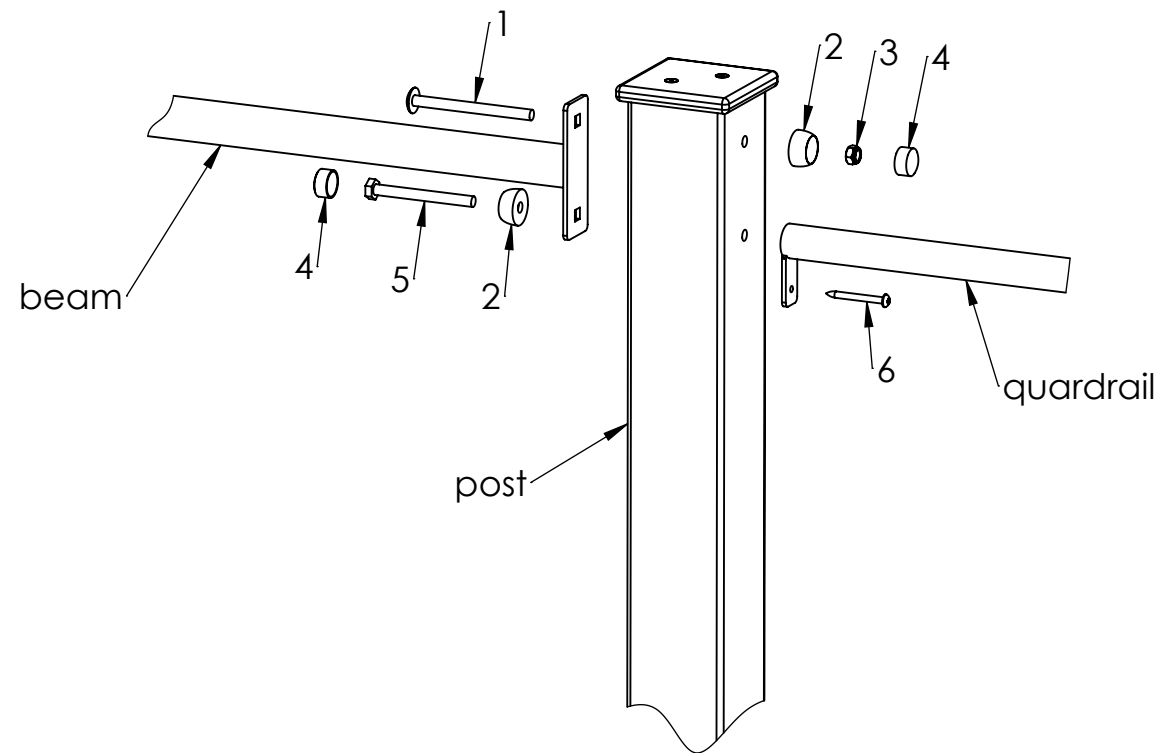
SCALE: 1:7

SHEET 11 OF 12



Tiptap OÜ

Tiptap OÜ
Veetorni 9,
Jüri alevik, Rae vald,
75301 Harjumaa



ITEM NO.	PART NUMBER
1	bolt DIN603 M10x120
2	nut cover M10
3	nut DIN985 M10
4	nut cover cap M10
5	bolt DIN931 M10x100
6	screw DIN7996 6x60

UNLESS OTHERWISE SPECIFIED:
DIMENSIONS ARE IN MILLIMETERS
WEIGHT ARE IN KILOGRAMM

PART NUMBER / DWG NO.:

TKR001-4

	NAME	SIGNATURE	DATE	REVISION
DRAWN	M.Rebase		23.03.2015	
APPV'D				

DESCRIPTION:

Balance track 4
connecting beam and quardrail to post



Tiptaptap OÜ

Tiptaptap OÜ
Veetorni 9,
Jüri alevik, Rae vald,
75301 Harjumaa

MATERIAL:

wood, metal, plastic

A4

WEIGHT:

SCALE: 1:7

SHEET 12 OF 12