

A

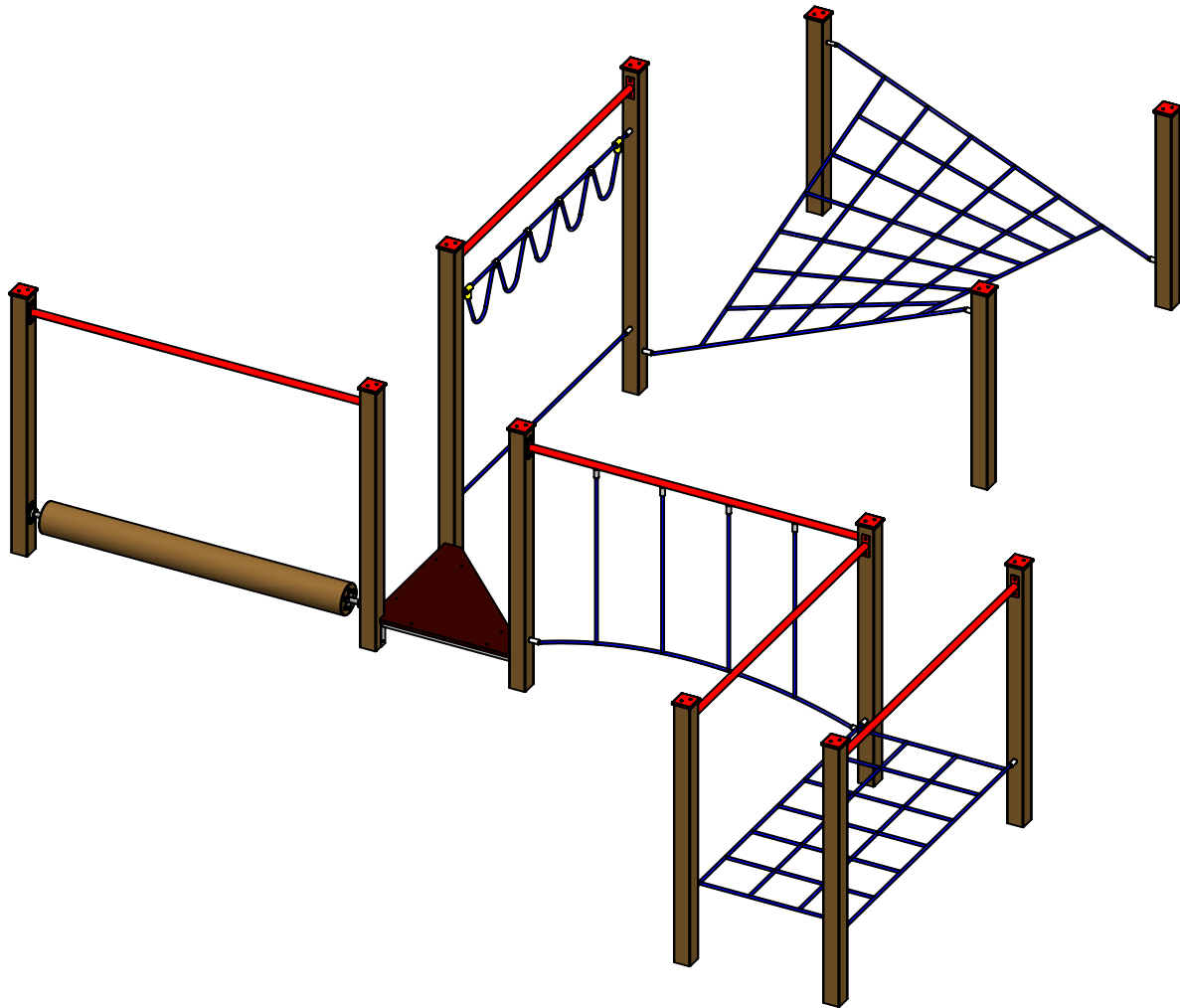
B

C

D

E

F



UNLESS OTHERWISE SPECIFIED:
 DIMENSIONS ARE IN MILLIMETERS
 WEIGHT ARE IN KILOGRAMM

PART NUMBER / DWG NO.:

TKR001-2

	NAME	SIGNATURE	DATE	REVISION
DRAWN	M.Rebase		21.07.2014	
APPV'D				

DESCRIPTION:

Balance track 2



Tiptiptap OÜ

Tiptiptap OÜ
 Veetorni 9,
 Jüri alevik, Rae vald,
 75301 Harjumaa

MATERIAL:

wood, metal, plastic

A4

WEIGHT:

SCALE: 1:40

SHEET 1 OF 9

safety area

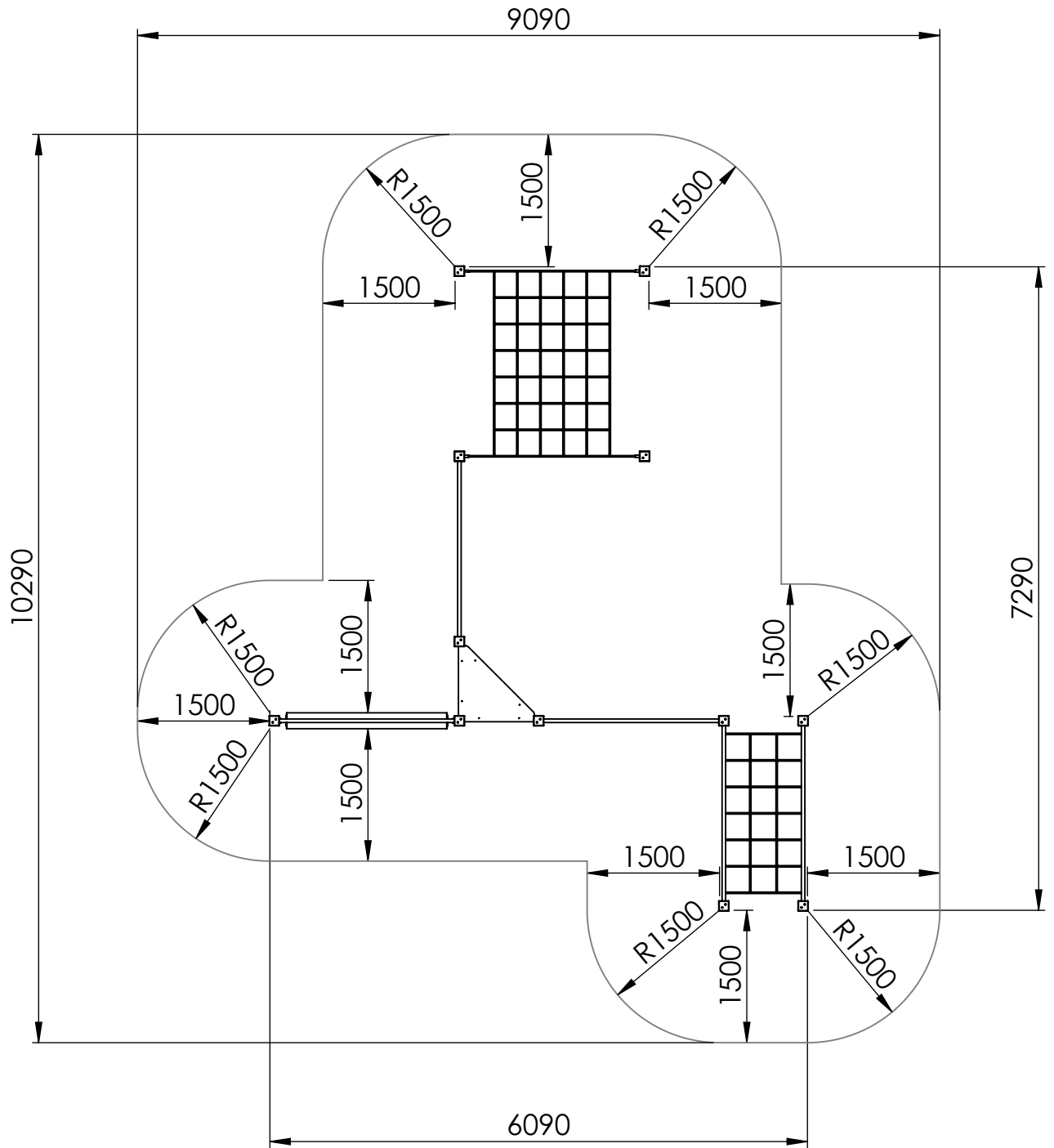
A

B

C

D

E



UNLESS OTHERWISE SPECIFIED:
DIMENSIONS ARE IN MILLIMETERS
WEIGHT ARE IN KILOGRAMM

PART NUMBER / DWG NO.:

TKR001-2

	NAME	SIGNATURE	DATE	REVISION
DRAWN	M.Rebase		21.07.2014	
APPV'D				

DESCRIPTION:

Balance track 2



Tiptiptap OÜ

Tiptiptap OÜ
Veetorni 9,
Jüri alevik, Rae vald,
75301 Harjumaa

MATERIAL:

wood, metal, plastic

A4

WEIGHT:

SCALE: 1:70

SHEET 2 OF 9

foundation

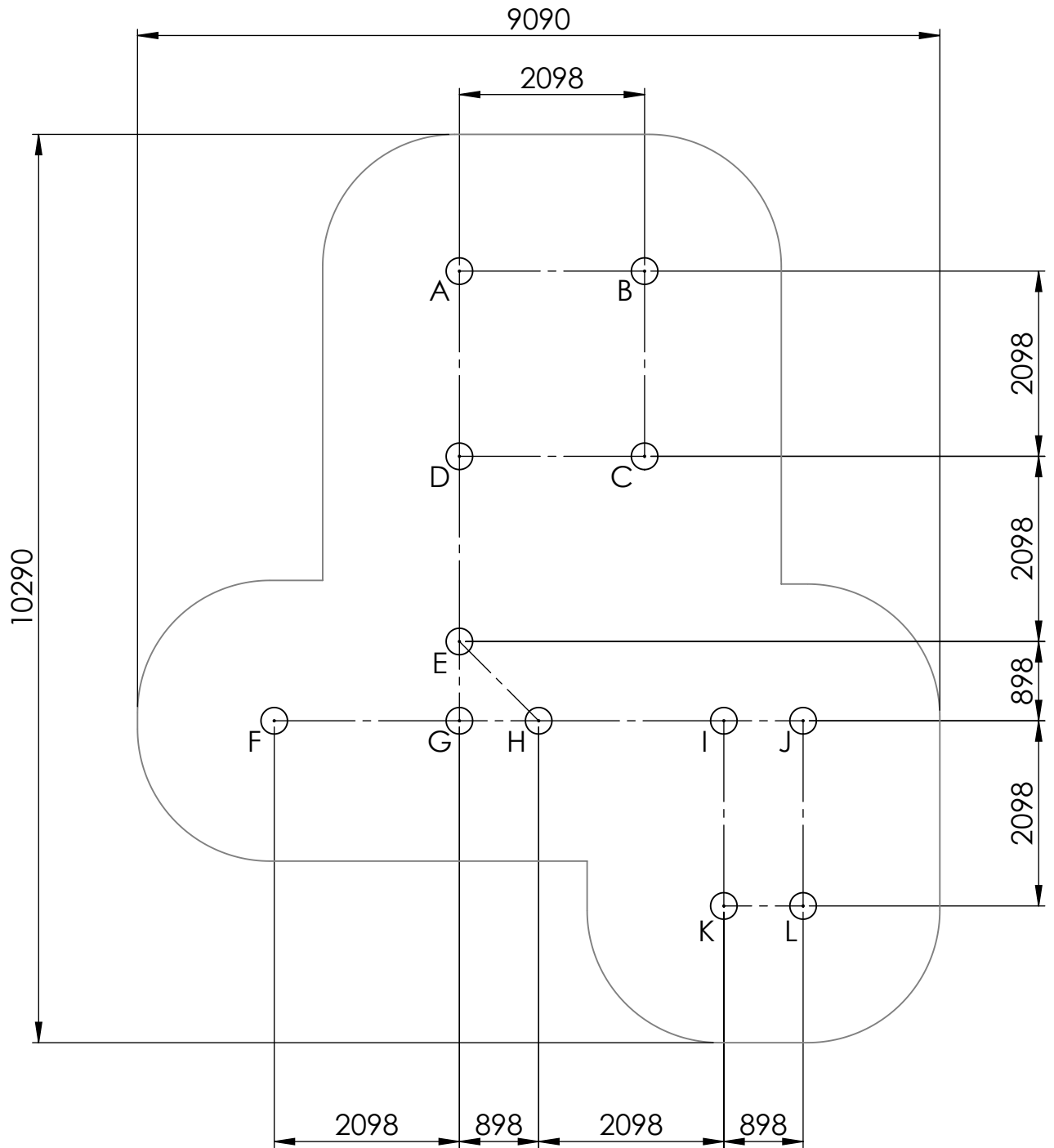
A

B

C

D

E



UNLESS OTHERWISE SPECIFIED:
DIMENSIONS ARE IN MILLIMETERS
WEIGHT ARE IN KILOGRAMM

PART NUMBER / DWG NO.:

TKR001-2

	NAME	SIGNATURE	DATE	REVISION
DRAWN	M.Rebase		21.07.2014	
APPV'D				

DESCRIPTION:

Balance track 2



Tiptaptap OÜ

Tiptaptap OÜ
Veetorni 9,
Jüri alevik, Rae vald,
75301 Harjumaa

MATERIAL:

wood, metal, plastic

A4

WEIGHT:

SCALE: 1:70

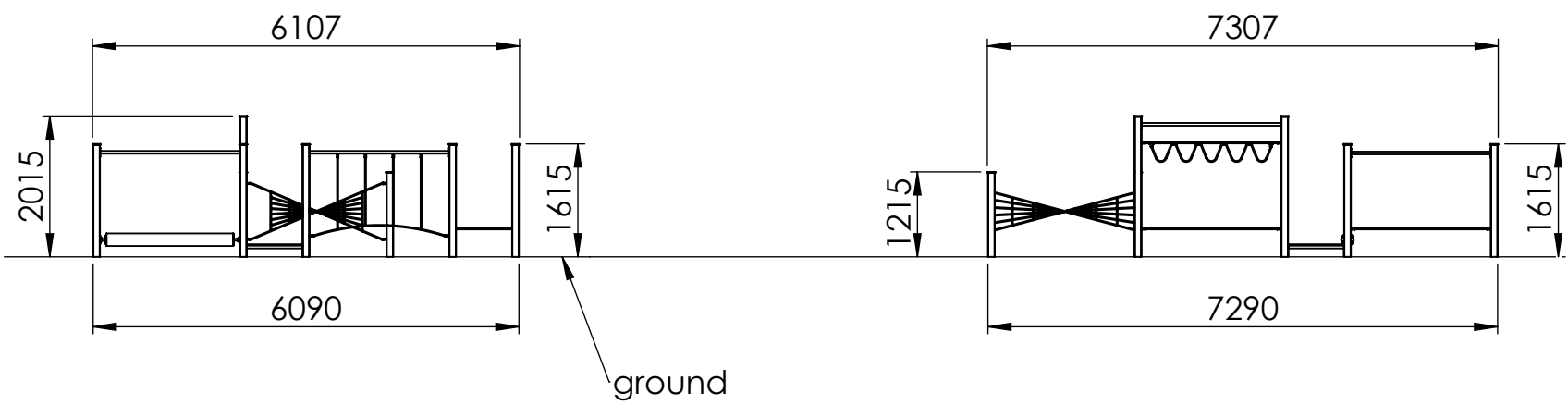
SHEET 3 OF 9

F

1 2 3 4 5 6

A

A

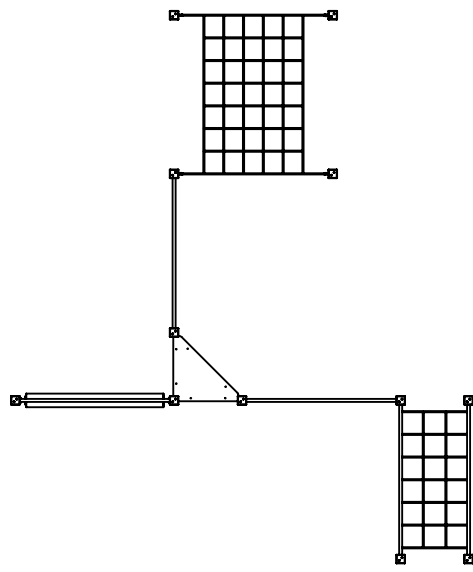


B

B


C

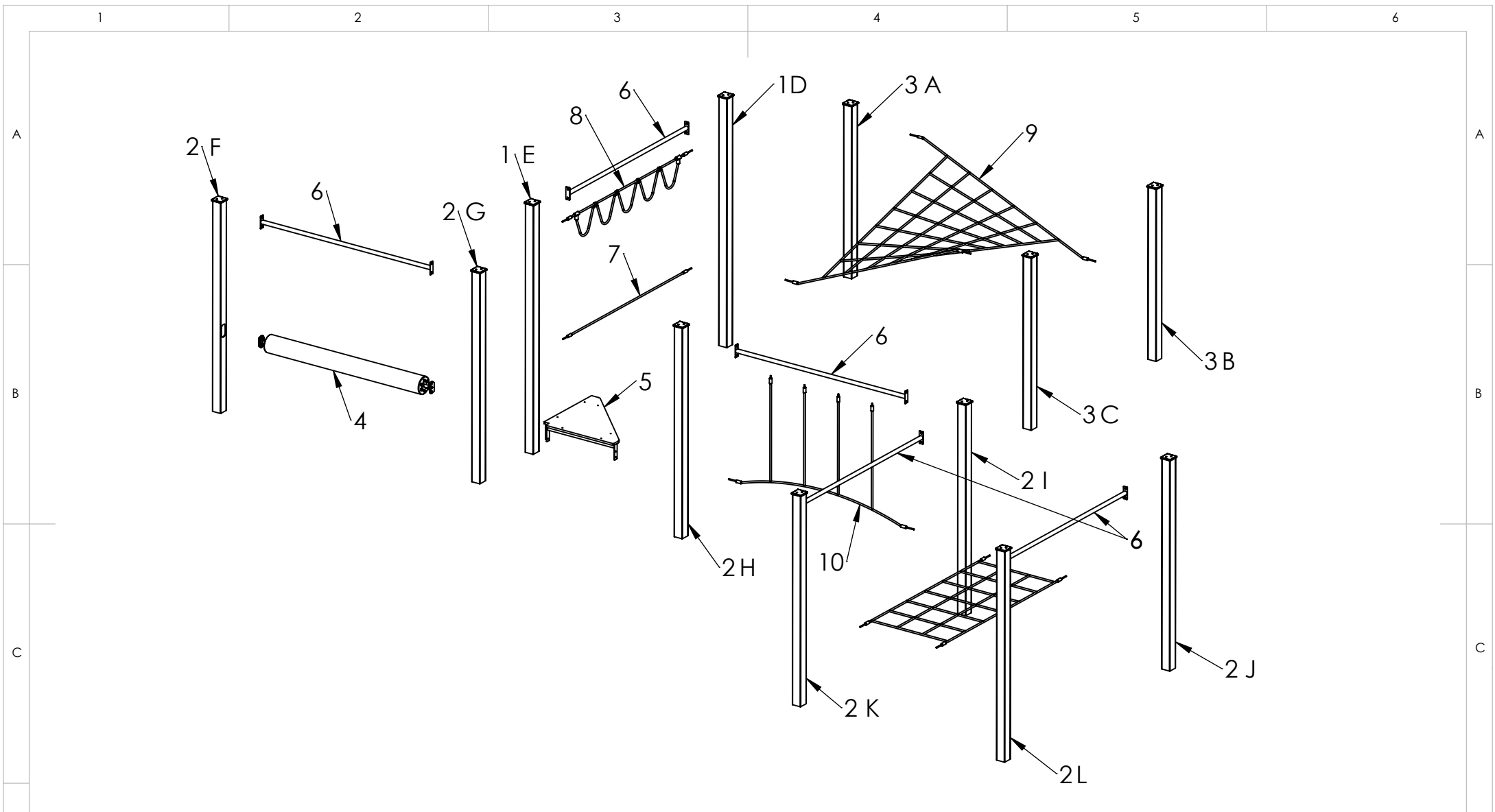
C




D

1 2

UNLESS OTHERWISE SPECIFIED: DIMENSIONS ARE IN MILLIMETERS WEIGHT ARE IN KILOGRAMM					PART NUMBER / DWG NO.: TKR001-2	
	NAME	SIGNATURE	DATE	REVISION	DESCRIPTION: Balance track 2	
DRAWN	M.Rebase		21.07.2014			
APPV'D						
 Tiptaptap OÜ Tiptaptap OÜ Veetorni 9, Jüri alevik, Rae vald, 75301 Harjumaa					MATERIAL:	wood, metal, plastic
					WEIGHT:	



UNLESS OTHERWISE SPECIFIED: DIMENSIONS ARE IN MILLIMETERS WEIGHT ARE IN KILOGRAMM					PART NUMBER / DWG NO.: TKR001-2	
	NAME	SIGNATURE	DATE	REVISION	DESCRIPTION: Balance track 2	
DRAWN	M.Rebase		21.07.2014			
APPV'D						
 Tiptiptap OÜ Tiptiptap OÜ Veetorni 9, Jüri alevik, Rae vald, 75301 Harjumaa					MATERIAL:	wood, metal, plastic
					WEIGHT:	

ITEM NO.	PART NUMBER	DESCRIPTION	QTY.
1	post 98x98x2600	laminated wood	2
2	post 98x98x2200	laminated wood	7
3	post 98x98x1800	laminated wood	3
4	spinning beam	laminated wood, metal	1
5	triangle platform	plywood, metal	1
6	beam 40x2000	painted steel	5
7	rope L-2000	PP covered steel wire	1
8	rope with loops L-2000	PP covered steel wire	1
9	net 2000x2098	PP covered steel wire	1
10	net 1175x2000	PP covered steel wire	1
11	net 898x2000	PP covered steel wire	1



UNLESS OTHERWISE SPECIFIED:
DIMENSIONS ARE IN MILLIMETERS
WEIGHT ARE IN KILOGRAMM

PART NUMBER / DWG NO.:
TKR001-2

	NAME	SIGNATURE	DATE	REVISION
DRAWN	M.Rebase		21.07.2014	
APPV'D				

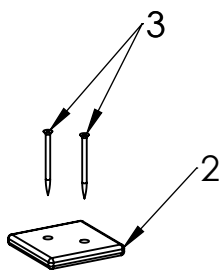
DESCRIPTION:
Balance track 2



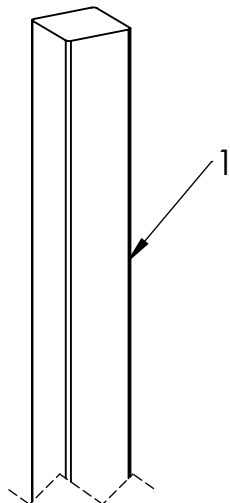
Tiptiptap OÜ
Veetorni 9,
Jüri alevik, Rae vald,
75301 Harjumaa

MATERIAL:	wood, metal, plastic	A4
WEIGHT:	SCALE: 1:50	SHEET 6 OF 9

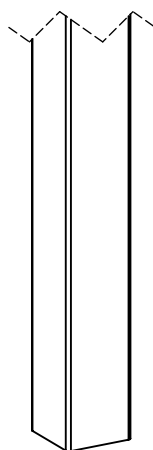
A



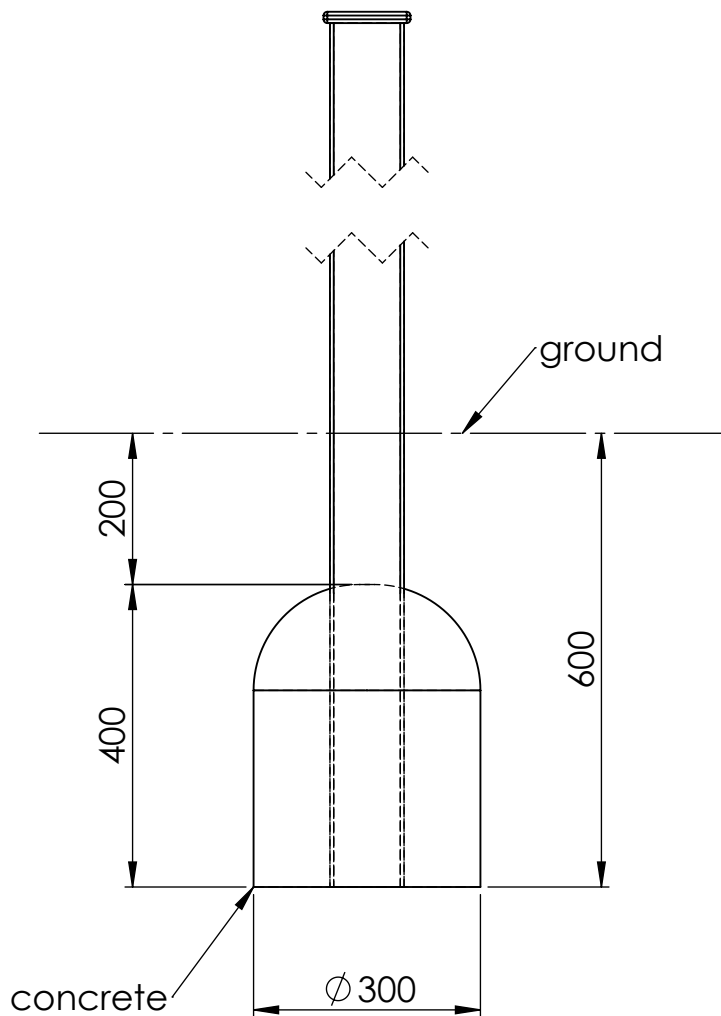
B



C



D



E

ITEM NO.	PART NUMBER
1	post 98x98
2	plastic cap 115x115
3	woodscrew 6 x 90

UNLESS OTHERWISE SPECIFIED:
DIMENSIONS ARE IN MILLIMETERS
WEIGHT ARE IN KILOGRAMM

PART NUMBER / DWG NO.:

TKR001-2

	NAME	SIGNATURE	DATE	REVISION
DRAWN	M.Rebase		21.07.2014	
APPV'D				

DESCRIPTION:

Balance track 2
installing post

F



Tiptaptap OÜ

Tiptaptap OÜ
Veetorni 9,
Jüri alevik, Rae vald,
75301 Harjumaa

MATERIAL:

wood, metal, plastic

A4

WEIGHT:

SCALE: 1:10

SHEET 7 OF 9

A

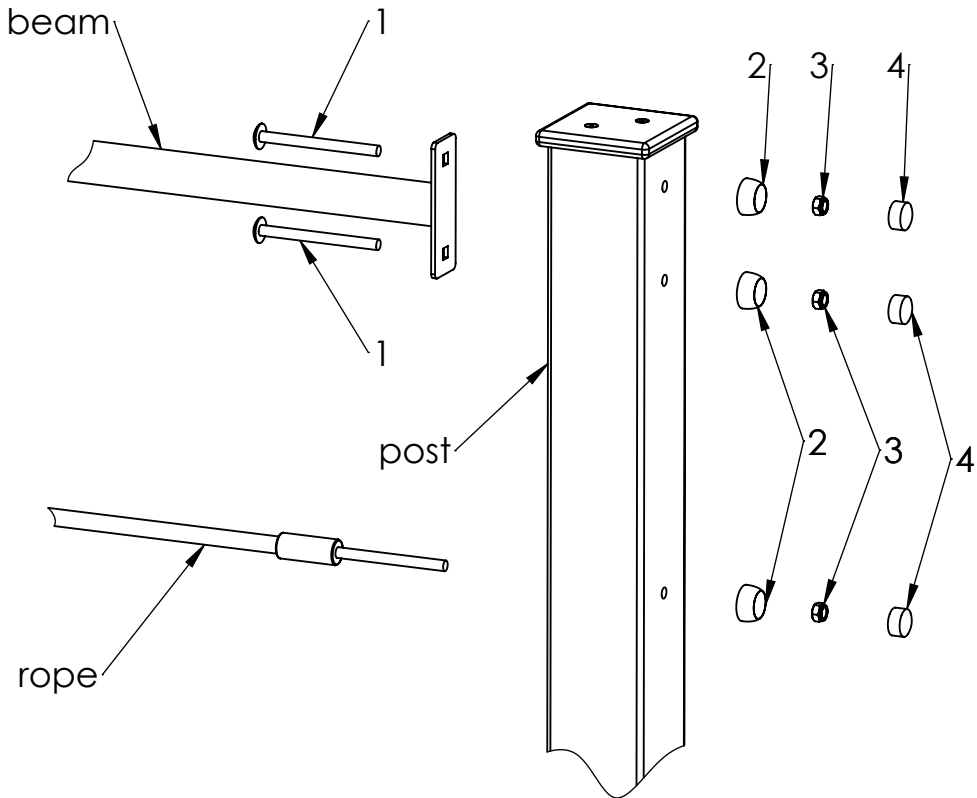
B

C

D

E

F



ITEM NO.	PART NUMBER
1	bolt DIN603 M10x120
2	nut cover M10
3	nut DIN985 M10
4	nut cover cap M10

UNLESS OTHERWISE SPECIFIED: DIMENSIONS ARE IN MILLIMETERS WEIGHT ARE IN KILOGRAMM				
	NAME	SIGNATURE	DATE	REVISION
DRAWN	M.Rebase		21.07.2014	
APPV'D				

PART NUMBER / DWG NO.:	TKR001-2
DESCRIPTION:	Balance track 2 connecting beam and rope (or net) to post



Tiptiptap OÜ
 Veetorni 9,
 Jüri alevik, Rae vald,
 75301 Harjumaa

MATERIAL:	wood, metal, plastic	A4
WEIGHT:	SCALE: 1:7	SHEET 8 OF 9

A

B

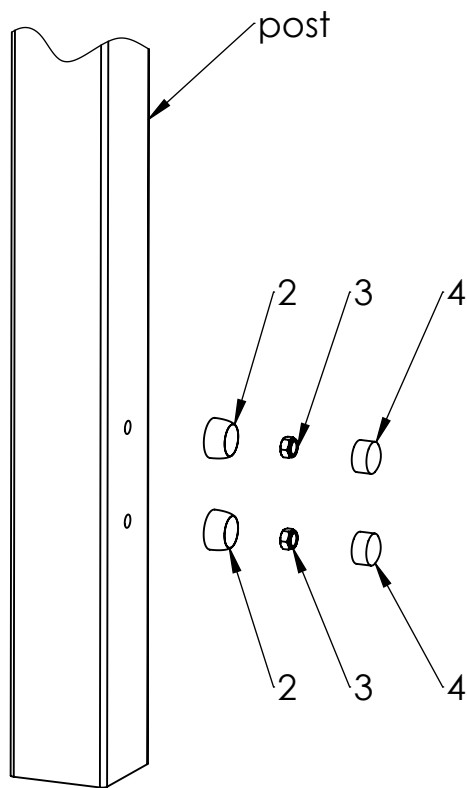
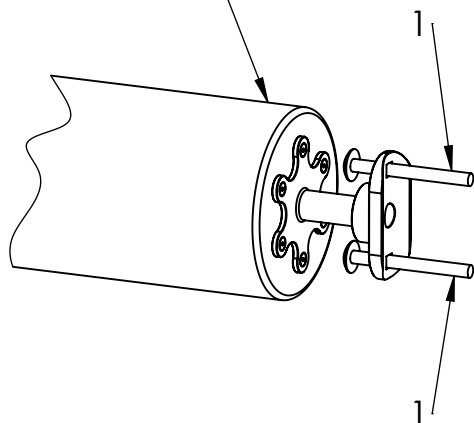
C

D

E

F

spinning beam



ITEM NO.	PART NUMBER
1	bolt DIN603 M12x120
2	nut cover M12
3	nut DIN985 M12
4	nut cover cap M12

UNLESS OTHERWISE SPECIFIED:
DIMENSIONS ARE IN MILLIMETERS
WEIGHT ARE IN KILOGRAMM

PART NUMBER / DWG NO.:

TKR001-2

	NAME	SIGNATURE	DATE	REVISION
DRAWN	M.Rebase		21.07.2014	
APPV'D				

DESCRIPTION:

Balance track 2
connecting spinning beam to post

MATERIAL:

wood, metal, plastic

A4

WEIGHT:

SCALE: 1:7

SHEET 9 OF 9



Tiptaptap OÜ

Tiptaptap OÜ
Veetorni 9,
Jüri alevik, Rae vald,
75301 Harjumaa