

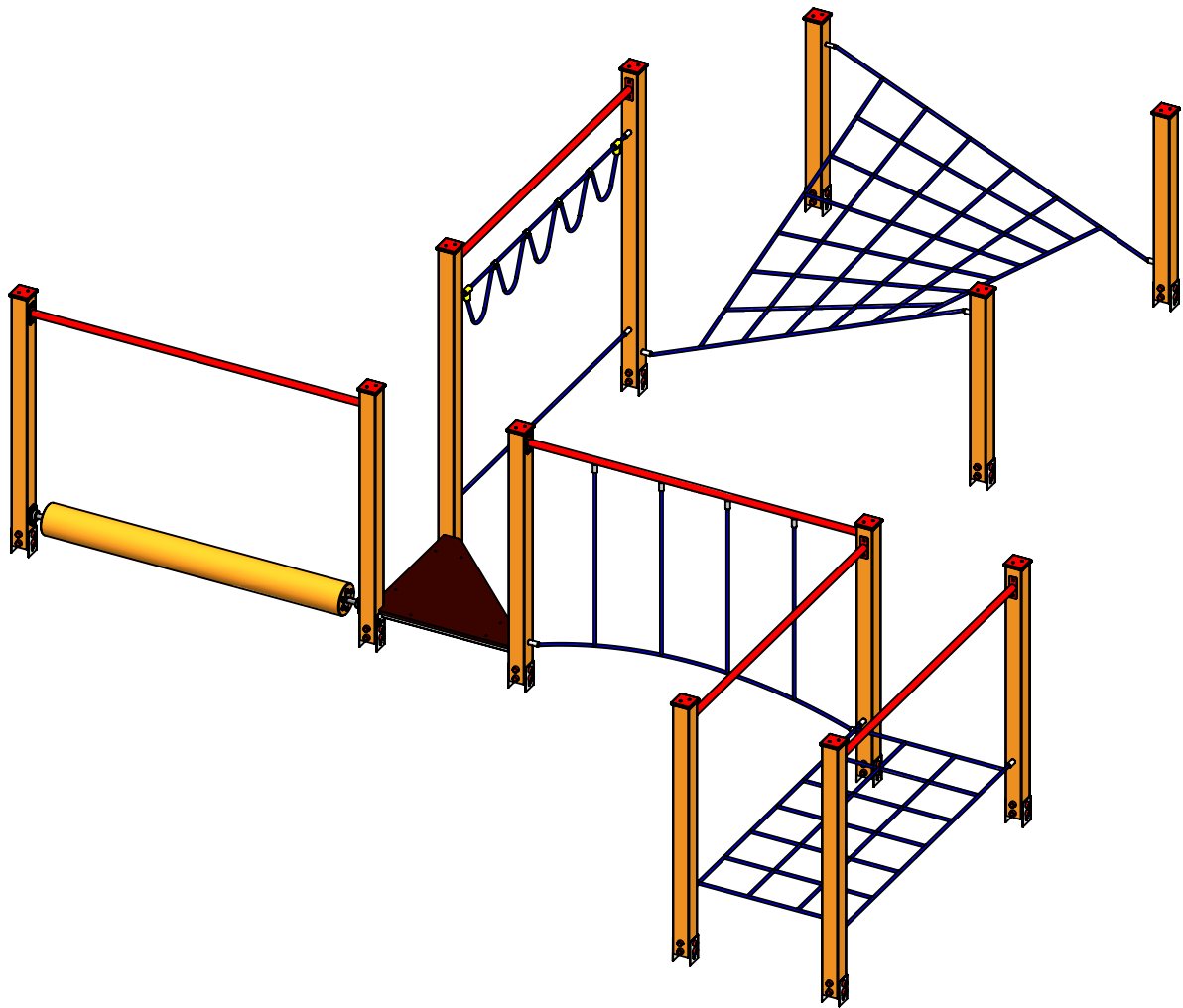
A

B

C

D

E



UNLESS OTHERWISE SPECIFIED:  
 DIMENSIONS ARE IN MILLIMETERS  
 WEIGHT ARE IN KILOGRAMM

PART NUMBER / DWG NO.:

TKR001-2

	NAME	SIGNATURE	DATE	REVISION
DRAWN	M.Rebase		15.07.2015	
APPV'D				

DESCRIPTION:

Balance track 2



**Tiptaptap** OÜ

Tiptaptap OÜ  
 Veetorni 9,  
 Jüri alevik, Rae vald,  
 75301 Harjumaa

MATERIAL:

wood, metal, plastic

A4

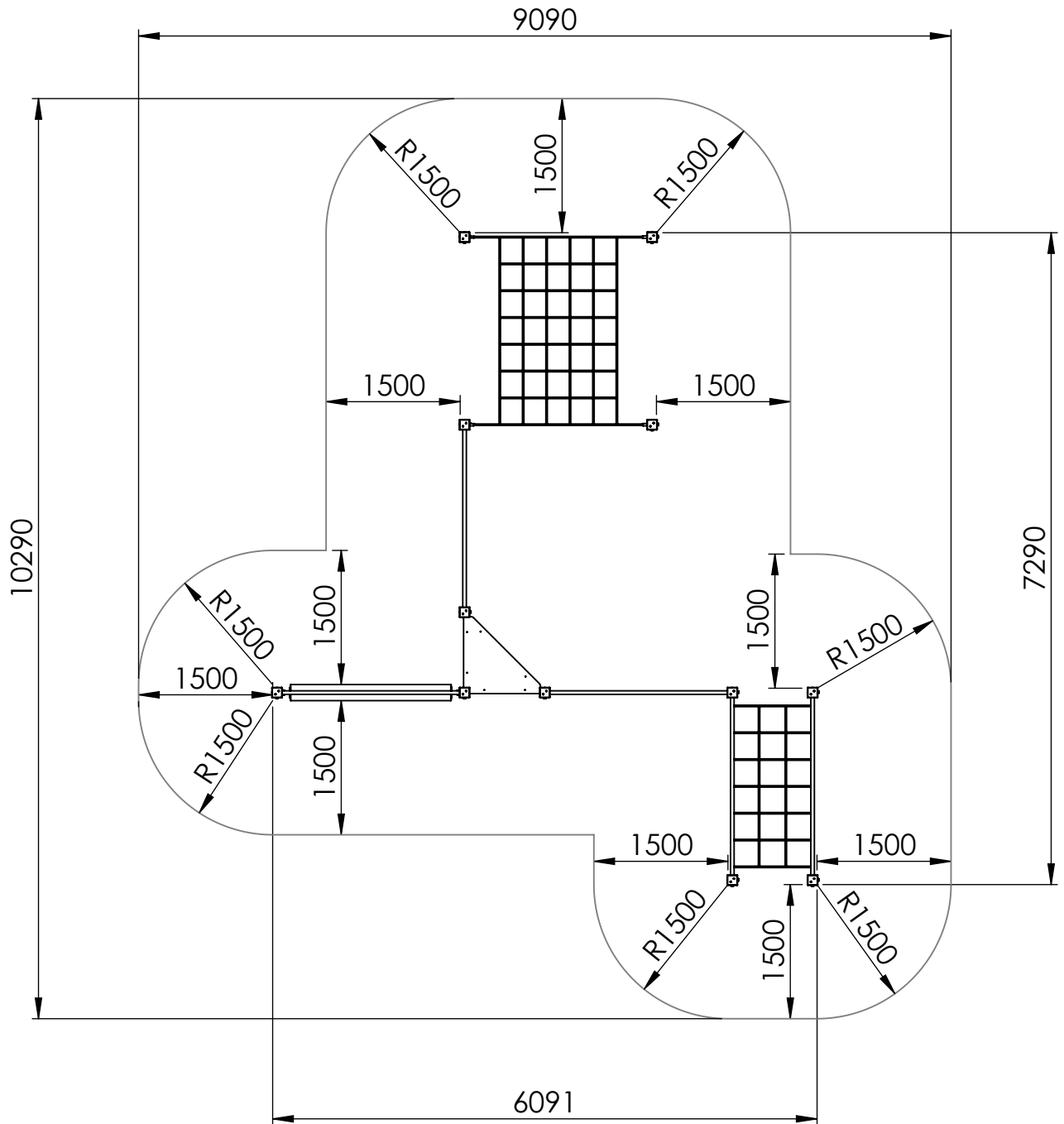
WEIGHT:

SCALE: 1:40

SHEET 1 OF 10

F

# safety area



UNLESS OTHERWISE SPECIFIED:  
DIMENSIONS ARE IN MILLIMETERS  
WEIGHT ARE IN KILOGRAMM

PART NUMBER / DWG NO.:

TKR001-2

	NAME	SIGNATURE	DATE	REVISION
DRAWN	M.Rebase		15.07.2015	
APPV'D				

DESCRIPTION:

Balance track 2



**Tiptap** OÜ

Tiptap OÜ  
Veetorni 9,  
Jüri alevik, Rae vald,  
75301 Harjumaa

MATERIAL:

wood, metal, plastic

A4

WEIGHT:

SCALE: 1:70

SHEET 2 OF 10

# foundation

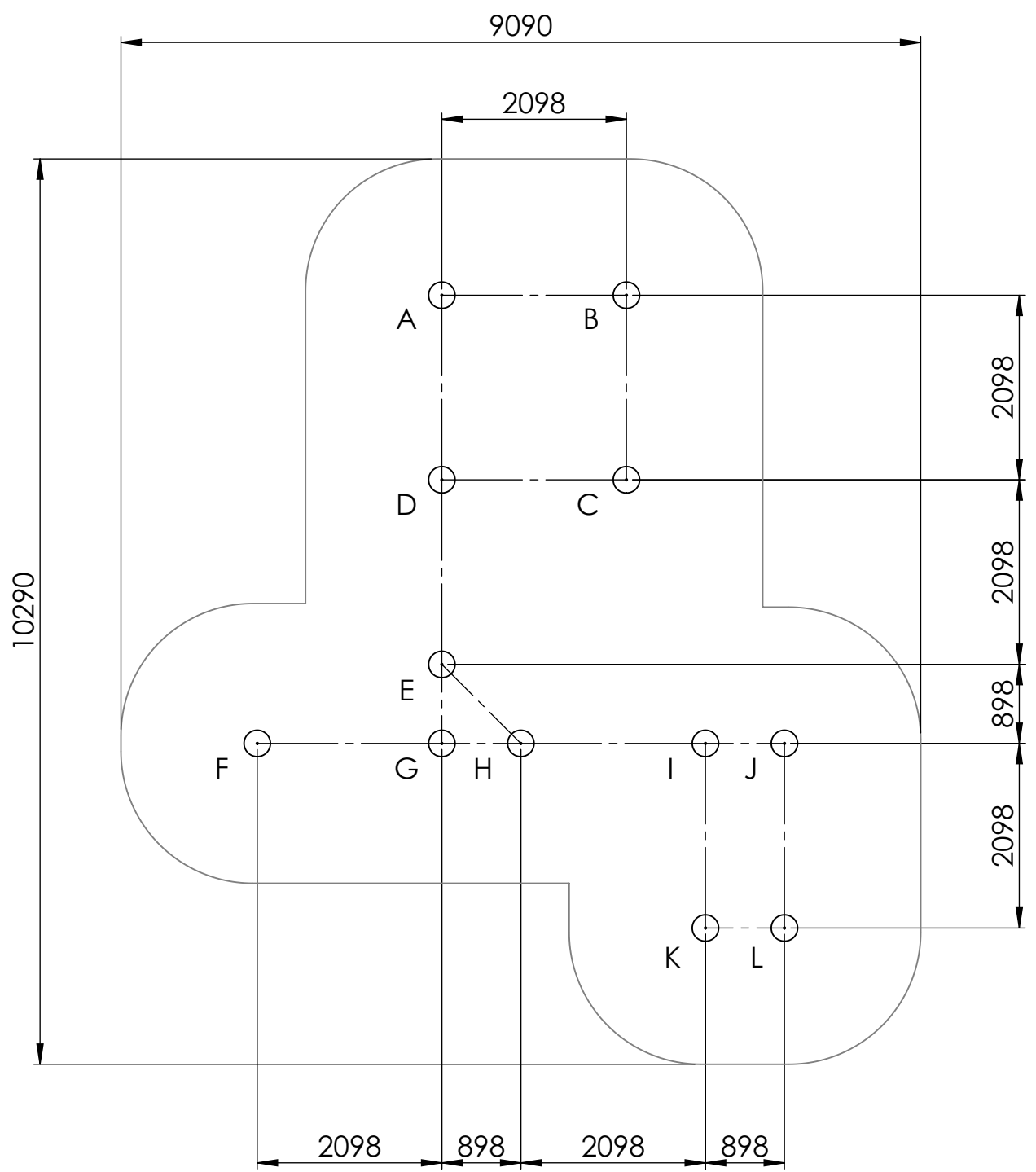
A

B

C

D

E



UNLESS OTHERWISE SPECIFIED:  
 DIMENSIONS ARE IN MILLIMETERS  
 WEIGHT ARE IN KILOGRAMM

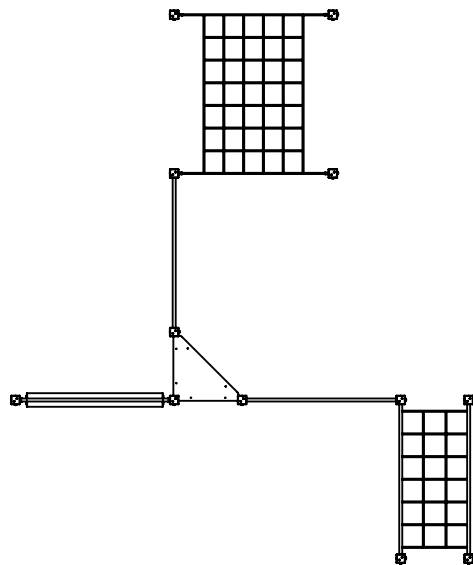
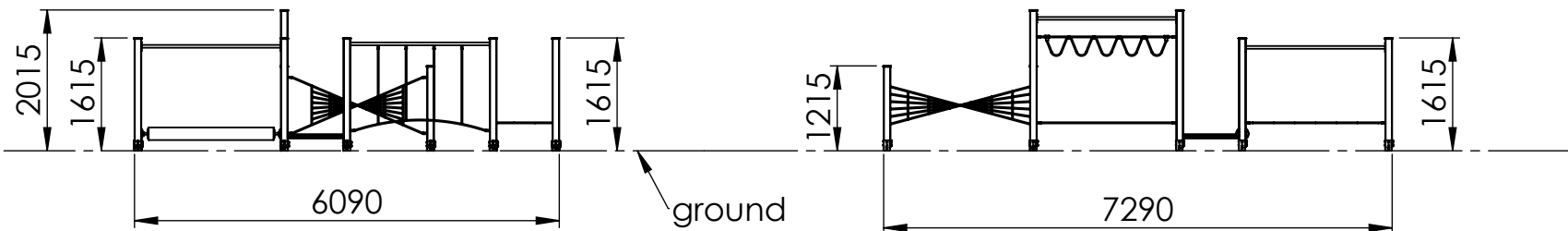
PART NUMBER / DWG NO.:  
**TKR001-2**

	NAME	SIGNATURE	DATE	REVISION
DRAWN	M.Rebase		15.07.2015	
APPV'D				

DESCRIPTION:  
**Balance track 2**

 **Tiptiptap** OÜ  
 Veetorni 9,  
 Jüri alevik, Rae vald,  
 75301 Harjumaa

MATERIAL:	wood, metal, plastic	A4
WEIGHT:	SCALE: 1:70	SHEET 3 OF 10



UNLESS OTHERWISE SPECIFIED:  
DIMENSIONS ARE IN MILLIMETERS  
WEIGHT ARE IN KILOGRAMM

PART NUMBER / DWG NO.:

TKR001-2

	NAME	SIGNATURE	DATE	REVISION
DRAWN	M.Rebase		15.07.2015	
APPV'D				

DESCRIPTION:

Balance track 2

MATERIAL:

wood, metal, plastic

A4

WEIGHT:

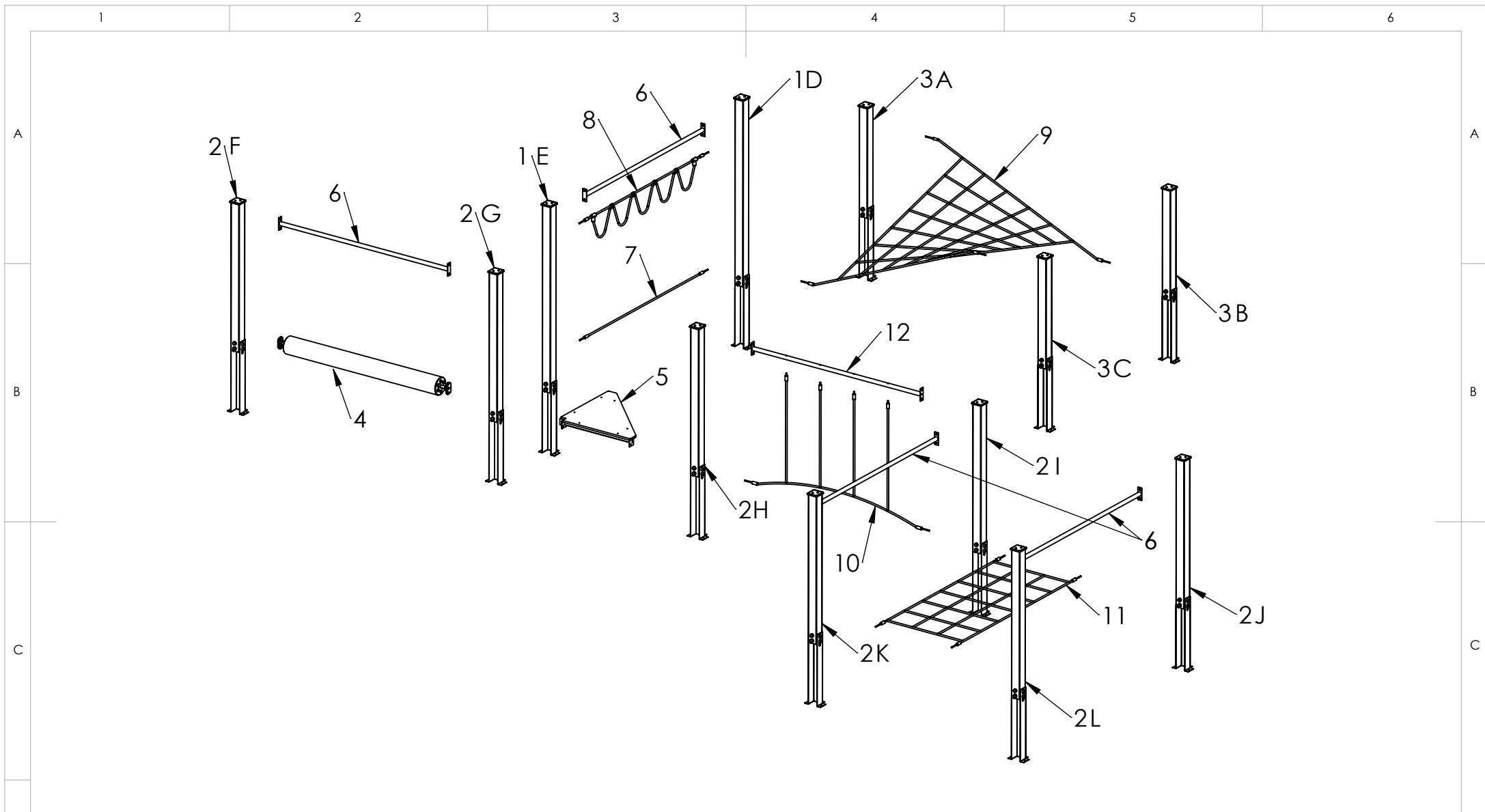
SCALE: 1:100

SHEET 4 OF 10



**Tiptaptap** OÜ

Tiptaptap OÜ  
Veetorni 9,  
Jüri alevik, Rae vald,  
75301 Harjumaa



UNLESS OTHERWISE SPECIFIED:  
 DIMENSIONS ARE IN MILLIMETERS  
 WEIGHT ARE IN KILOGRAMM

PART NUMBER / DWG NO.: **TKR001-2**

	NAME	SIGNATURE	DATE	REVISION
DRAWN	M.Rebase		15.07.2015	
APPV'D				

DESCRIPTION:  
**Balance track 2**




**Tiptaptap** OÜ  
 Veetorni 9,  
 Jüri alevik, Rae vald,  
 75301 Harjumaa

MATERIAL:	wood, metal, plastic	A4
WEIGHT:		SCALE: 1:50
		SHEET 5 OF 10

ITEM NO.	PART NUMBER	DESCRIPTION	QTY.
1	post 98x98x1950	laminated wood	2
2	post 98x98x1550	laminated wood	7
3	post 98x98x1150	laminated wood	3
4	spinning beam	laminated wood, metal	1
5	triangle platform	plywood, metal	1
6	beam 40x2000	painted steel	4
7	rope L-2000	PP covered steel wire	1
8	rope with loops L-2000	PP covered steel wire	1
9	net 2000x2098	PP covered steel wire	1
10	net 1175x2000	PP covered steel wire	1
11	net 898x2000	PP covered steel wire	1
12	beam 40x2000, 4 holes	painted steel	1



UNLESS OTHERWISE SPECIFIED: DIMENSIONS ARE IN MILLIMETERS WEIGHT ARE IN KILOGRAMM				PART NUMBER / DWG NO.:		TKR001-2	
	NAME	SIGNATURE	DATE	REVISION		DESCRIPTION:	
DRAWN	M.Rebase		15.07.2015			Balance track 2	
APPV'D						MATERIAL:	
 <b>Tiptaptap</b> OÜ Tiptaptap OÜ Veetorni 9, Jüri alevik, Rae vald, 75301 Harjumaa				wood, metal, plastic		A4	
				WEIGHT:		SCALE: 1:50	
						SHEET 6 OF 10	

A

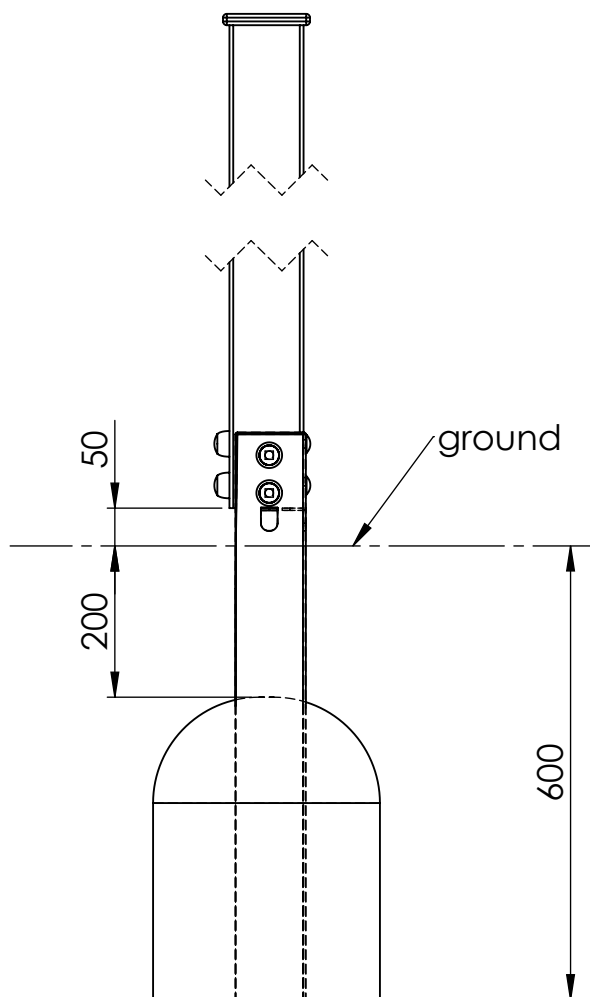
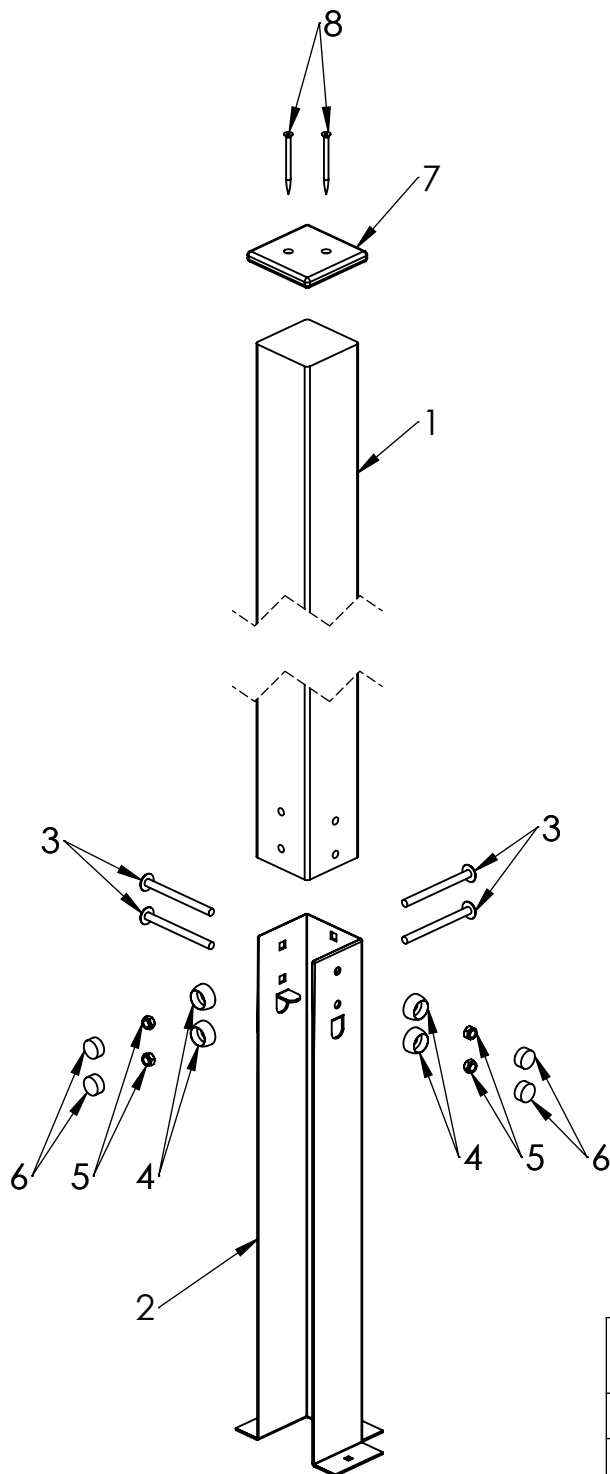
B

C

D

E

F



ITEM NO.	PART NUMBER
1	post 98x98
2	ground fixture
3	bolt DIN603 M10x120
4	nut cover M10
5	nut DIN985 M10
6	nut cover cap M10
7	plastic cap 115x115
8	woodscrew 6 x 90

UNLESS OTHERWISE SPECIFIED:  
DIMENSIONS ARE IN MILLIMETERS  
WEIGHT ARE IN KILOGRAMM

	NAME	SIGNATURE	DATE	REVISION
DRAWN	M.Rebase		15.07.2015	
APPV'D				

PART NUMBER / DWG NO.:

TKR001-2

DESCRIPTION:

Balance track 2  
connecting ground fixture to post

MATERIAL:

wood, metal, plastic

A4

WEIGHT:

SCALE: 1:10

SHEET 7 OF 10



**Tiptiptap** OÜ

Tiptiptap OÜ  
Veetorni 9,  
Jüri alevik, Rae vald,  
75301 Harjumaa

A

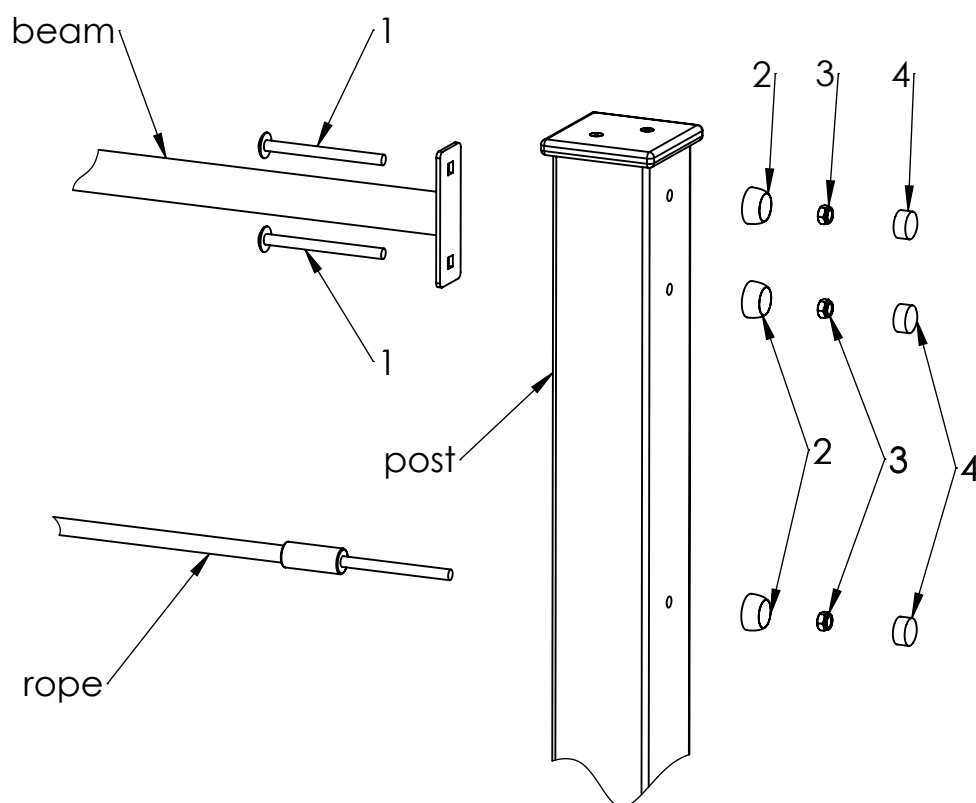
B

C

D

E

F



ITEM NO.	PART NUMBER
1	bolt DIN603 M10x120
2	nut cover M10
3	nut DIN985 M10
4	nut cover cap M10

UNLESS OTHERWISE SPECIFIED:  
DIMENSIONS ARE IN MILLIMETERS  
WEIGHT ARE IN KILOGRAMM

PART NUMBER / DWG NO.:

TKR001-2

	NAME	SIGNATURE	DATE	REVISION
DRAWN	M.Rebase		15.07.2015	
APPV'D				

DESCRIPTION:

Balance track 2  
connecting beam and rope (or net) to post

MATERIAL:

wood, metal, plastic

A4

WEIGHT:

SCALE: 1:7

SHEET 8 OF 10



**Tiptiptap** OÜ

Tiptiptap OÜ  
Veetorni 9,  
Jüri alevik, Rae vald,  
75301 Harjumaa



A

B

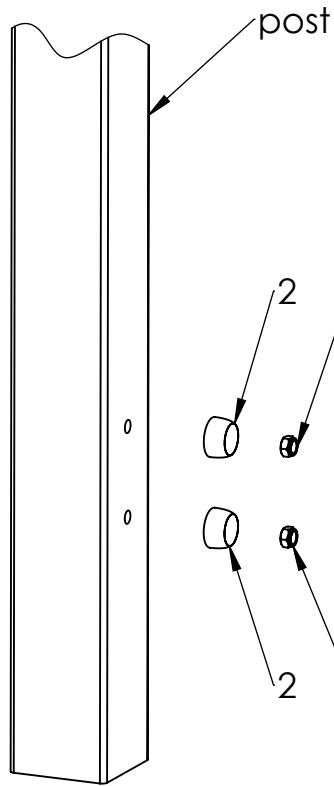
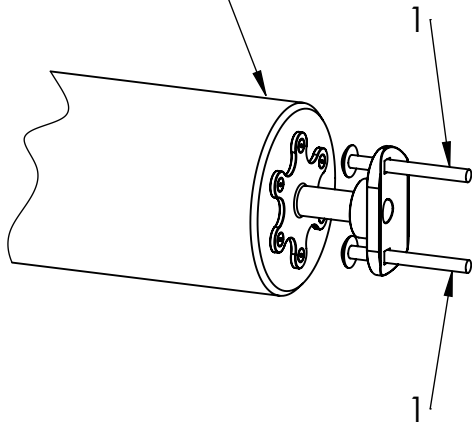
C

D

E

F

spinning beam



ITEM NO.	PART NUMBER
1	bolt DIN603 M12x120
2	nut cover M12
3	nut DIN985 M12
4	nut cover cap M12

UNLESS OTHERWISE SPECIFIED:  
DIMENSIONS ARE IN MILLIMETERS  
WEIGHT ARE IN KILOGRAMM

PART NUMBER / DWG NO.:

TKR001-2

	NAME	SIGNATURE	DATE	REVISION
DRAWN	M.Rebase		15.07.2015	
APPV'D				

DESCRIPTION:

Balance track 2  
connecting spinning beam to post



**Tiptaptap** OÜ

Tiptaptap OÜ  
Veetorni 9,  
Jüri alevik, Rae vald,  
75301 Harjumaa

MATERIAL:

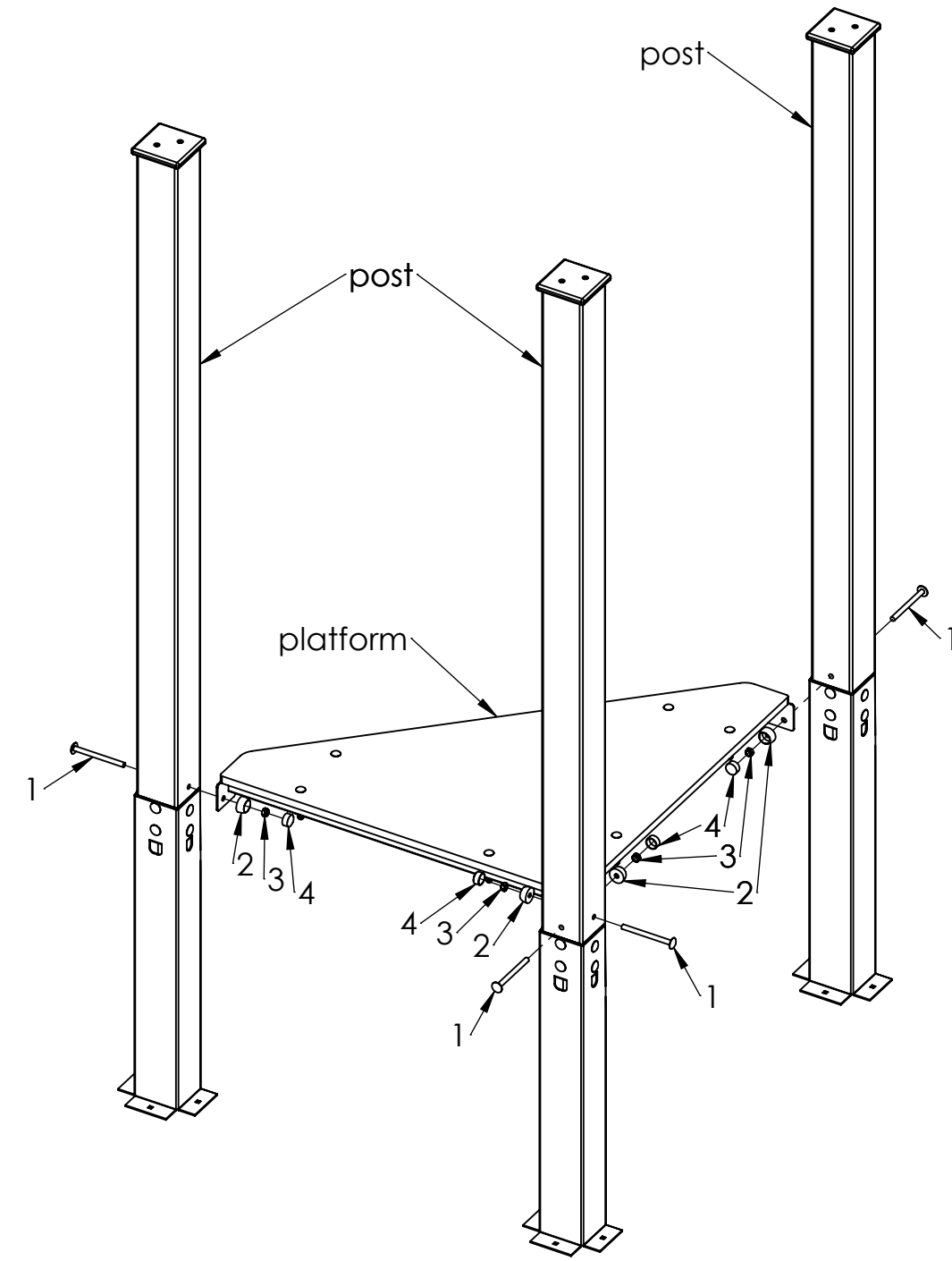
wood, metal, plastic

A4

WEIGHT:

SCALE: 1:7

SHEET 9 OF 10



ITEM NO.	PART NUMBER
1	bolt DIN603 M10x120
2	nut cover M10
3	nut DIN985 M10
4	nut cover cap M10

UNLESS OTHERWISE SPECIFIED: DIMENSIONS ARE IN MILLIMETERS WEIGHT ARE IN KILOGRAMM				
	NAME	SIGNATURE	DATE	REVISION
DRAWN	M.Rebase		15.07.2015	
APPV'D				

PART NUMBER / DWG NO.:	TKR001-2
DESCRIPTION:	Balance track 2 connecting platform to post



**Tiptaptap** OÜ  
 Veetorni 9,  
 Jüri alevik, Rae vald,  
 75301 Harjumaa

MATERIAL:	wood, metal, plastic	A4
WEIGHT:	SCALE: 1:14	SHEET 10 OF 10