

A

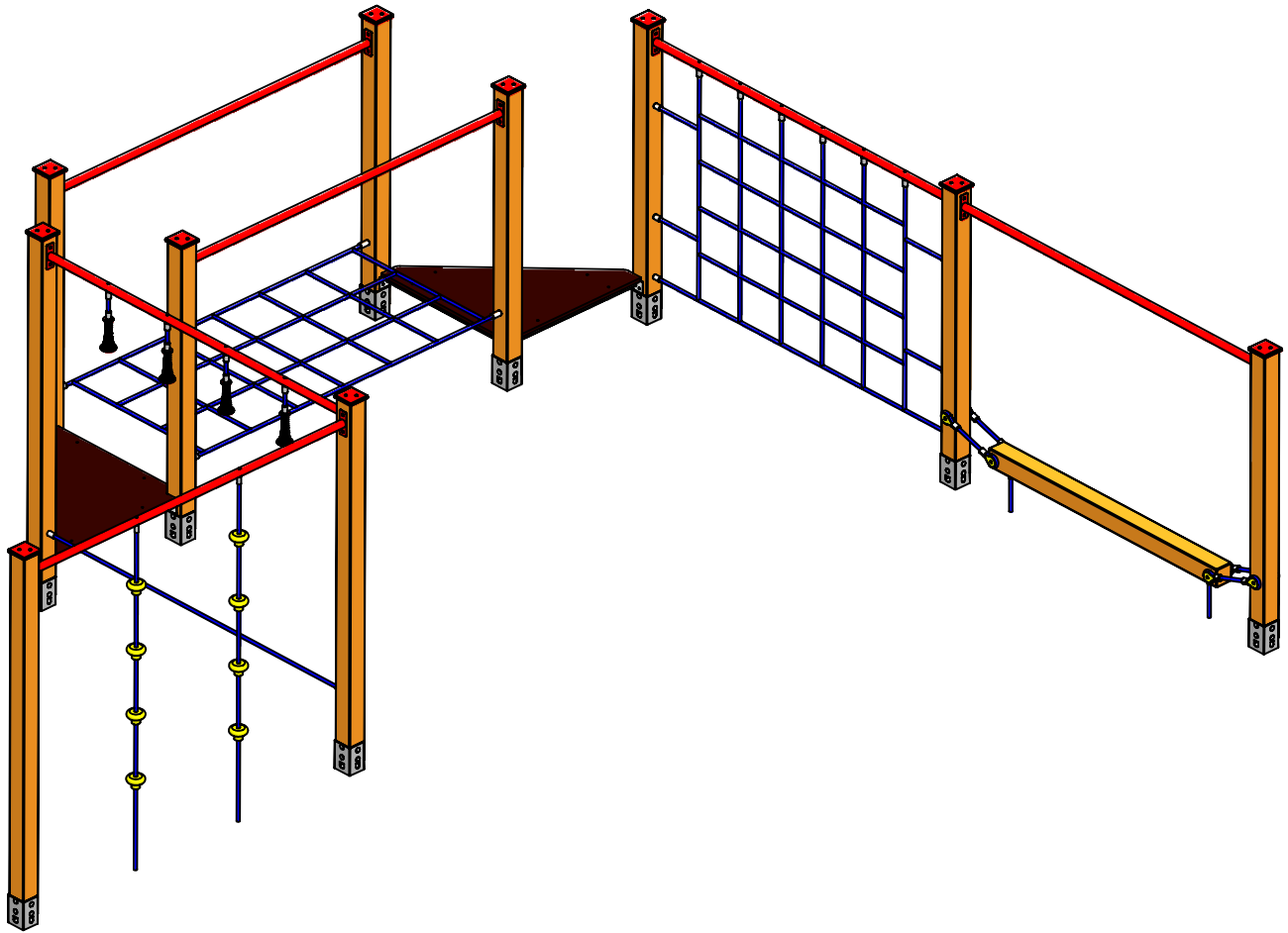
B

C

D

E

F



UNLESS OTHERWISE SPECIFIED:
 DIMENSIONS ARE IN MILLIMETERS
 WEIGHT ARE IN KILOGRAMM

PART NUMBER / DWG NO.:

TKR001-1

	NAME	SIGNATURE	DATE	REVISION
DRAWN	R.Fedotov		14.05.2015	
APPV'D				

DESCRIPTION:

Balance track 1



Tiptiptap OÜ

Tiptiptap OÜ
 Veetorni 9,
 Jüri alevik, Rae vald,
 75301 Harjumaa

MATERIAL:

wood, metal, plastic

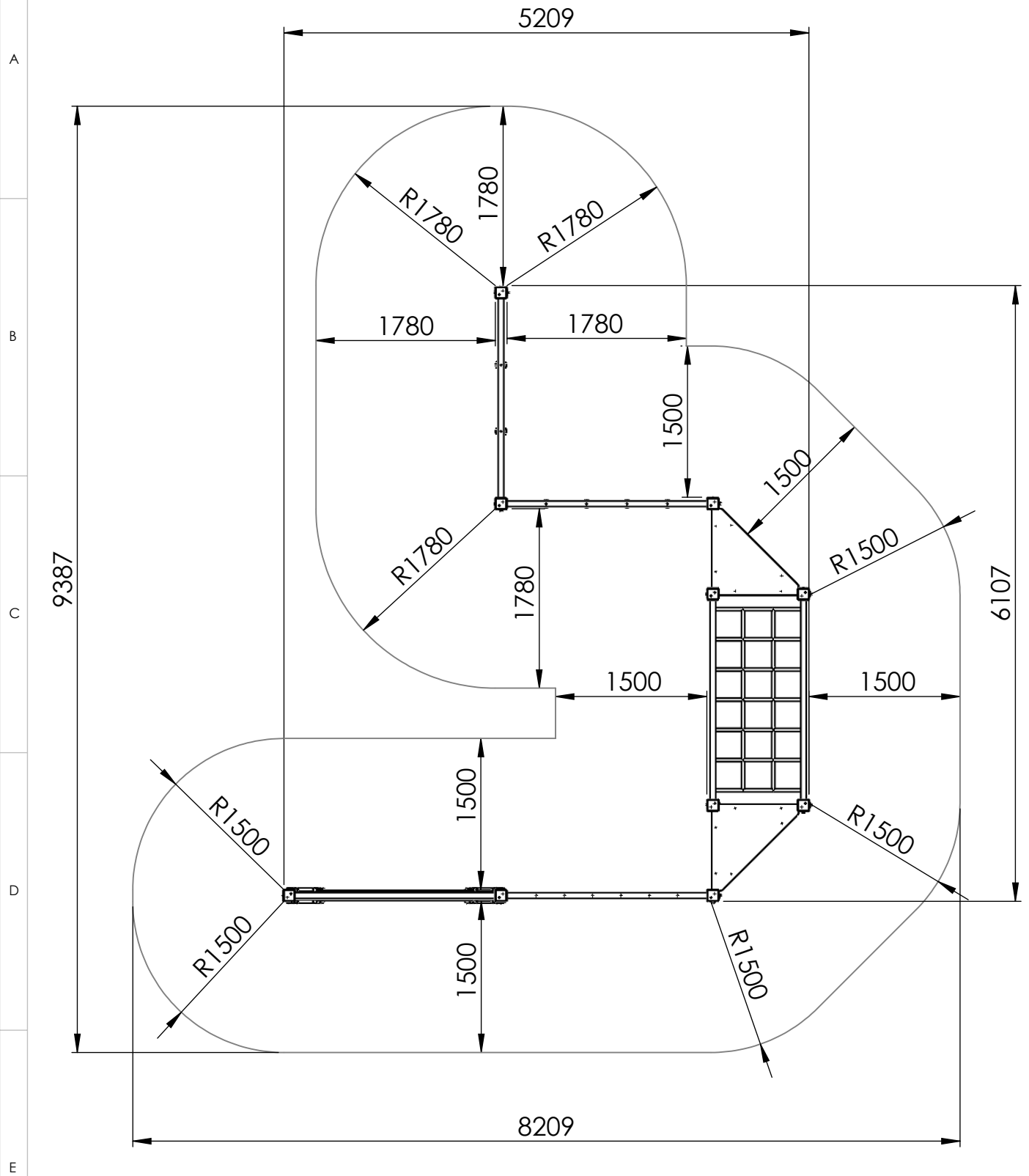
A4

WEIGHT:

SCALE: 1:35

SHEET 1 OF 10

Safety area



UNLESS OTHERWISE SPECIFIED:
DIMENSIONS ARE IN MILLIMETERS
WEIGHT ARE IN KILOGRAMM

PART NUMBER / DWG NO.:

TKR001-1

	NAME	SIGNATURE	DATE	REVISION
DRAWN	R.Fedotov		14.05.2015	
APPV'D				

DESCRIPTION:

Balance track 1



Tiptiptap OÜ

Tiptiptap OÜ
Veetorni 9,
Jüri alevik, Rae vald,
75301 Harjumaa

MATERIAL:

wood, metal, plastic

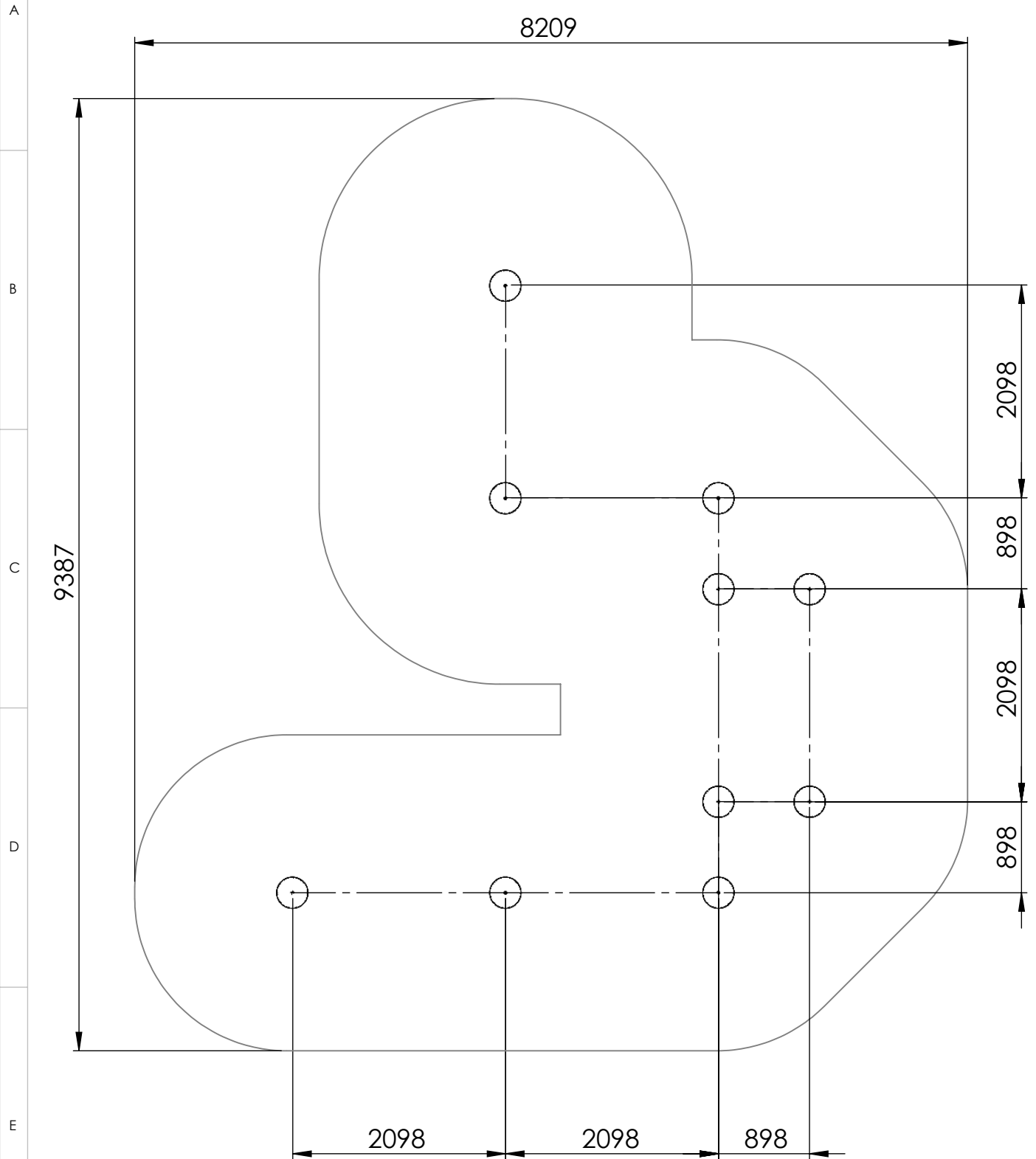
A4

WEIGHT:

SCALE: 1:55

SHEET 2 OF 10

Foundation



UNLESS OTHERWISE SPECIFIED:
DIMENSIONS ARE IN MILLIMETERS
WEIGHT ARE IN KILOGRAMM

PART NUMBER / DWG NO.:

TKR001-1

	NAME	SIGNATURE	DATE	REVISION
DRAWN	R.Fedotov		14.05.2015	
APPV'D				

DESCRIPTION:

Balance track 1



Tiptiptap OÜ

Tiptiptap OÜ
Veetorni 9,
Jüri alevik, Rae vald,
75301 Harjumaa

MATERIAL:

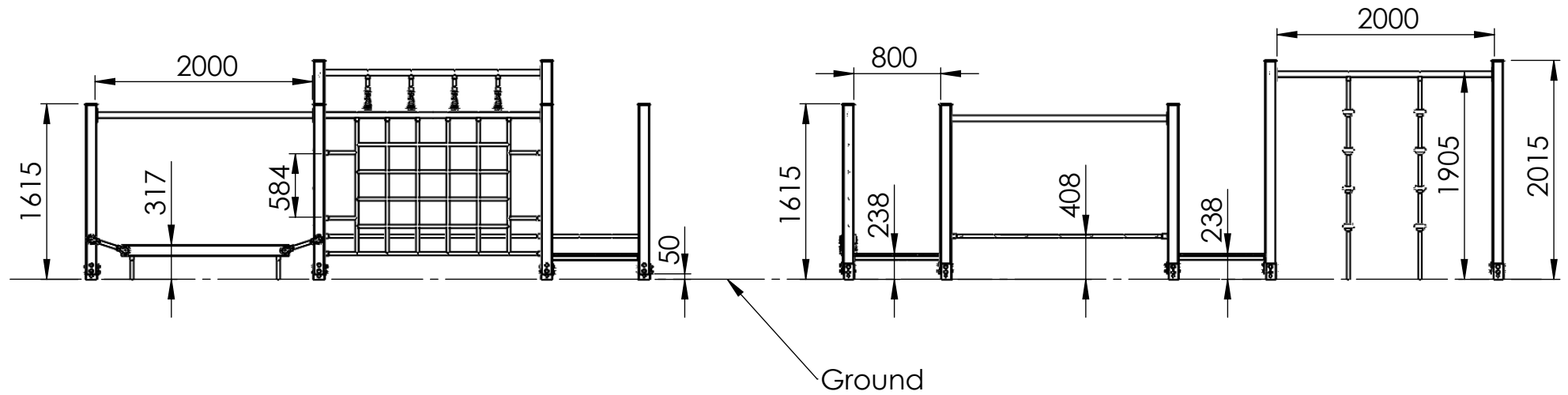
wood, metal, plastic


A4

WEIGHT:

SCALE: 1:55

SHEET 3 OF 10



UNLESS OTHERWISE SPECIFIED: DIMENSIONS ARE IN MILLIMETERS WEIGHT ARE IN KILOGRAMM					PART NUMBER / DWG NO.: TKR001-1	
	NAME	SIGNATURE	DATE	REVISION	DESCRIPTION: Balance track 1	
DRAWN	R.Fedotov		14.05.2015			
APPV'D						
 Tiptaptap OÜ Tiptaptap OÜ Veetorni 9, Jüri alevik, Rae vald, 75301 Harjumaa					MATERIAL:	wood, metal, plastic
					WEIGHT:	

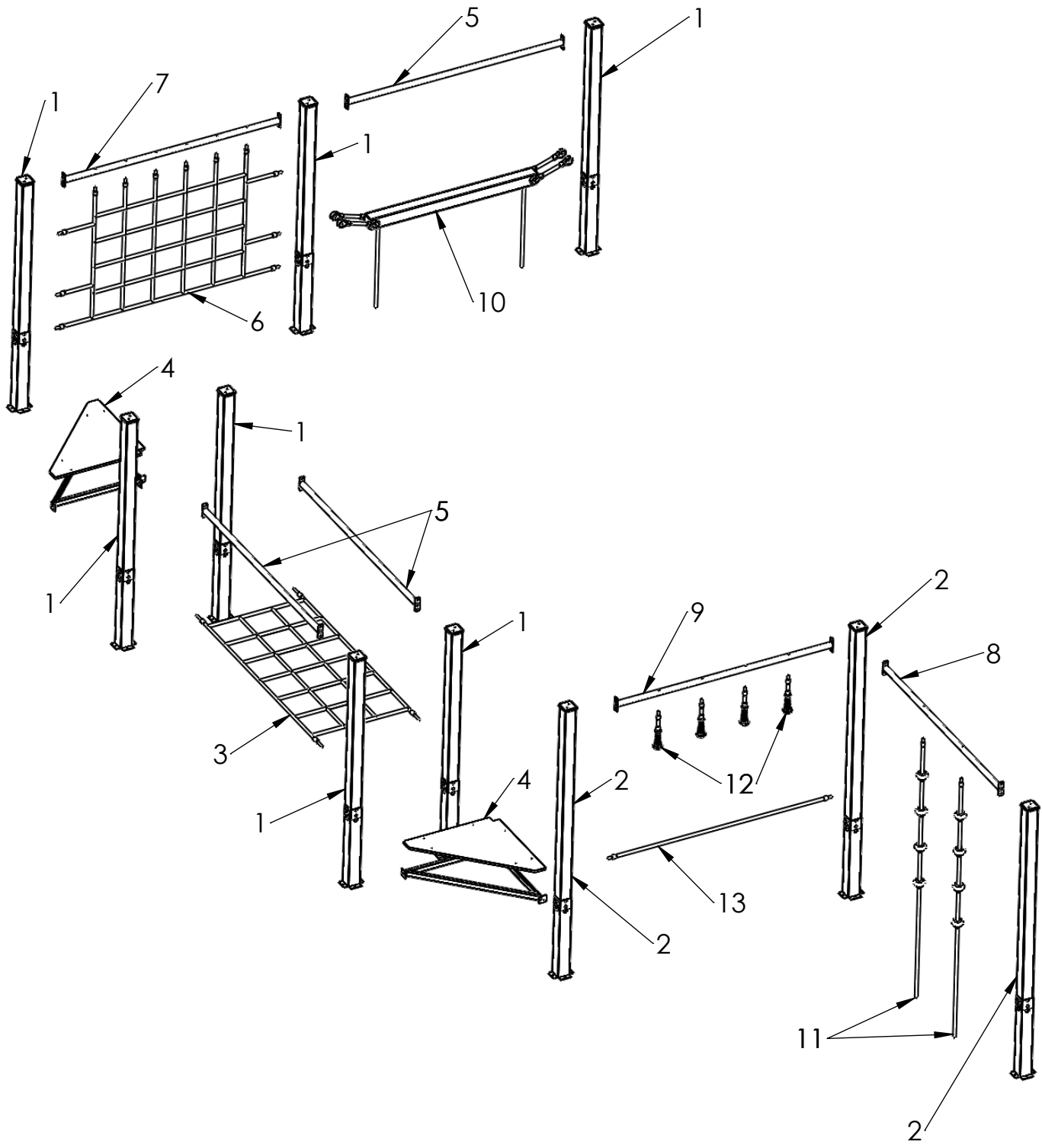
A

B

C

D

E



UNLESS OTHERWISE SPECIFIED:
 DIMENSIONS ARE IN MILLIMETERS
 WEIGHT ARE IN KILOGRAMM

	NAME	SIGNATURE	DATE	REVISION
DRAWN	R.Fedotov		14.05.2015	
APPV'D				

PART NUMBER / DWG NO.:
TKR001-1

DESCRIPTION:
Balance track 1



Tiptiptap OÜ
 Veetorni 9,
 Jüri alevik, Rae vald,
 75301 Harjumaa

MATERIAL:	wood, metal, plastic	A4
WEIGHT:	SCALE: 1:47	SHEET 5 OF 10

A

B

C

D

E

F

ITEM NO.	PART NUMBER	DESCRIPTION	Default/QTY.
1	post 98x98x1550	laminated wood	7
2	post 98x98x1950	laminated wood	3
3	net 898x2000	PP covered steel wire	1
4	triangle platform	plywood, metal	2
5	beam 40x2000	painted steel	3
6	Climbing net 1250x2000	PP covered steel wire	1
7	beam 40x2000 with 6 holes	painted steel	1
8	beam 40x2000 with 2 holes	painted steel	1
9	beam 40x2000, 4 holes	painted steel	1
10	balancing beam	laminated wood	1
11	climbing rope	PP covered steel wire, plastic	2
12	handle	PP covered steel wire, plastic	4
13	rope L-2000	PP covered steel wire	1

UNLESS OTHERWISE SPECIFIED:
DIMENSIONS ARE IN MILLIMETERS
WEIGHT ARE IN KILOGRAMM

PART NUMBER / DWG NO.:

TKR001-1

	NAME	SIGNATURE	DATE	REVISION
DRAWN	R.Fedotov		14.05.2015	
APPV'D				

DESCRIPTION:

Balance track 1

MATERIAL:

wood, metal, plastic

A4

WEIGHT:

SCALE: 1:47

SHEET 6 OF 10



Tiptap OÜ

Tiptap OÜ
Veetorni 9,
Jüri alevik, Rae vald,
75301 Harjumaa

A

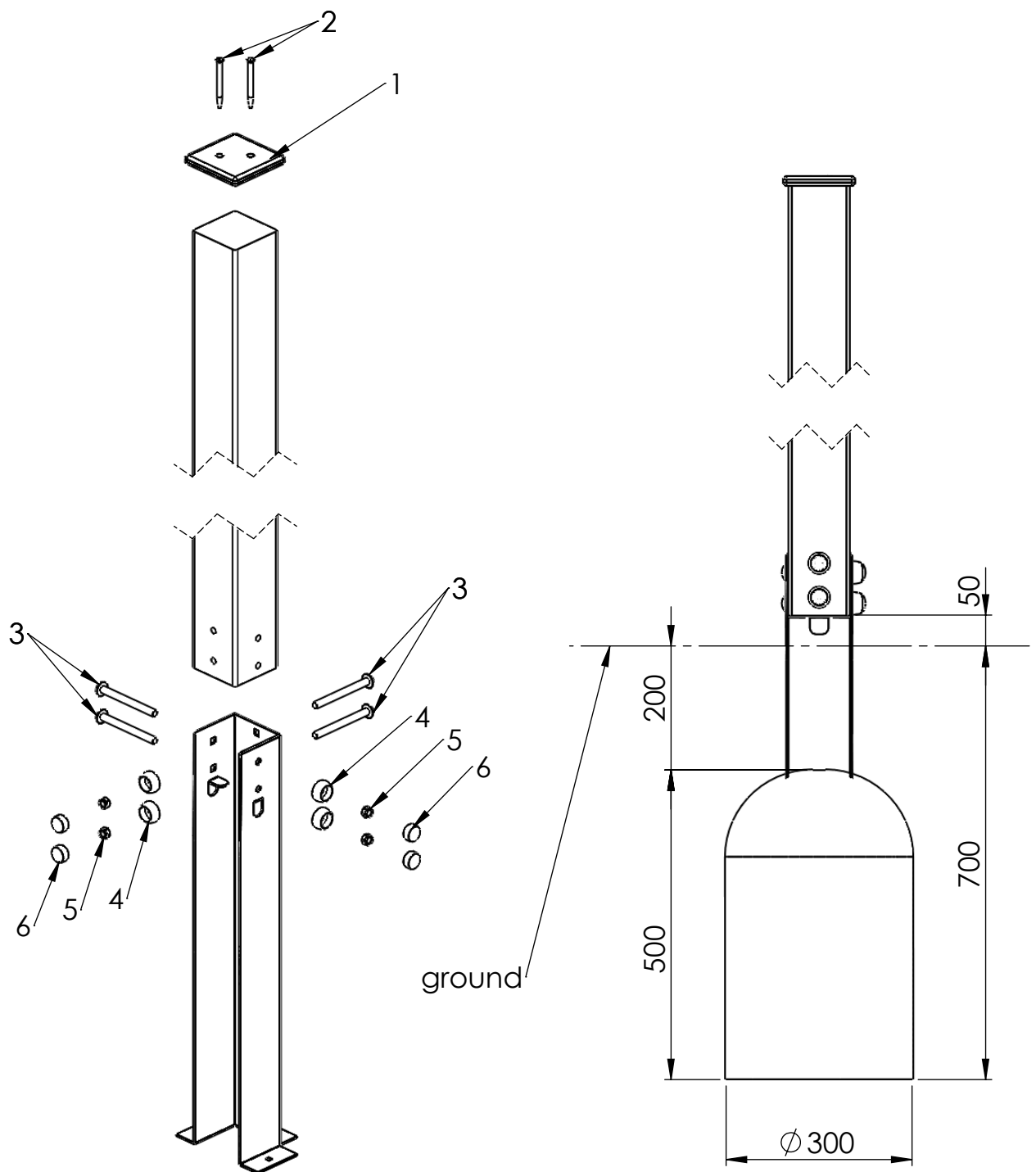
B

C

D

E

F



ITEM NO.	PART NUMBER	DESCRIPTION
1	plastic cap 115x115	PE plastic
2	Woodscrew 6 x 90	galvanized steel
3	bolt DIN603 M10x120	galvanized steel
4	nut cover M10	nut cover M10
5	nut DIN985 M10	galvanized steel
6	nut cover cap M10	PE plastic

UNLESS OTHERWISE SPECIFIED:
DIMENSIONS ARE IN MILLIMETERS
WEIGHT ARE IN KILOGRAMM

PART NUMBER / DWG NO.:

TKR001-1

	NAME	SIGNATURE	DATE	REVISION
DRAWN	R.Fedotov		14.05.2015	
APPV'D				

DESCRIPTION:

Balance track 1



Tiptiptap OÜ

Tiptiptap OÜ
Veetorni 9,
Jüri alevik, Rae vald,
75301 Harjumaa

MATERIAL:

wood, metal, plastic

A4

WEIGHT:

SCALE: 1:10

SHEET 7 OF 10

A

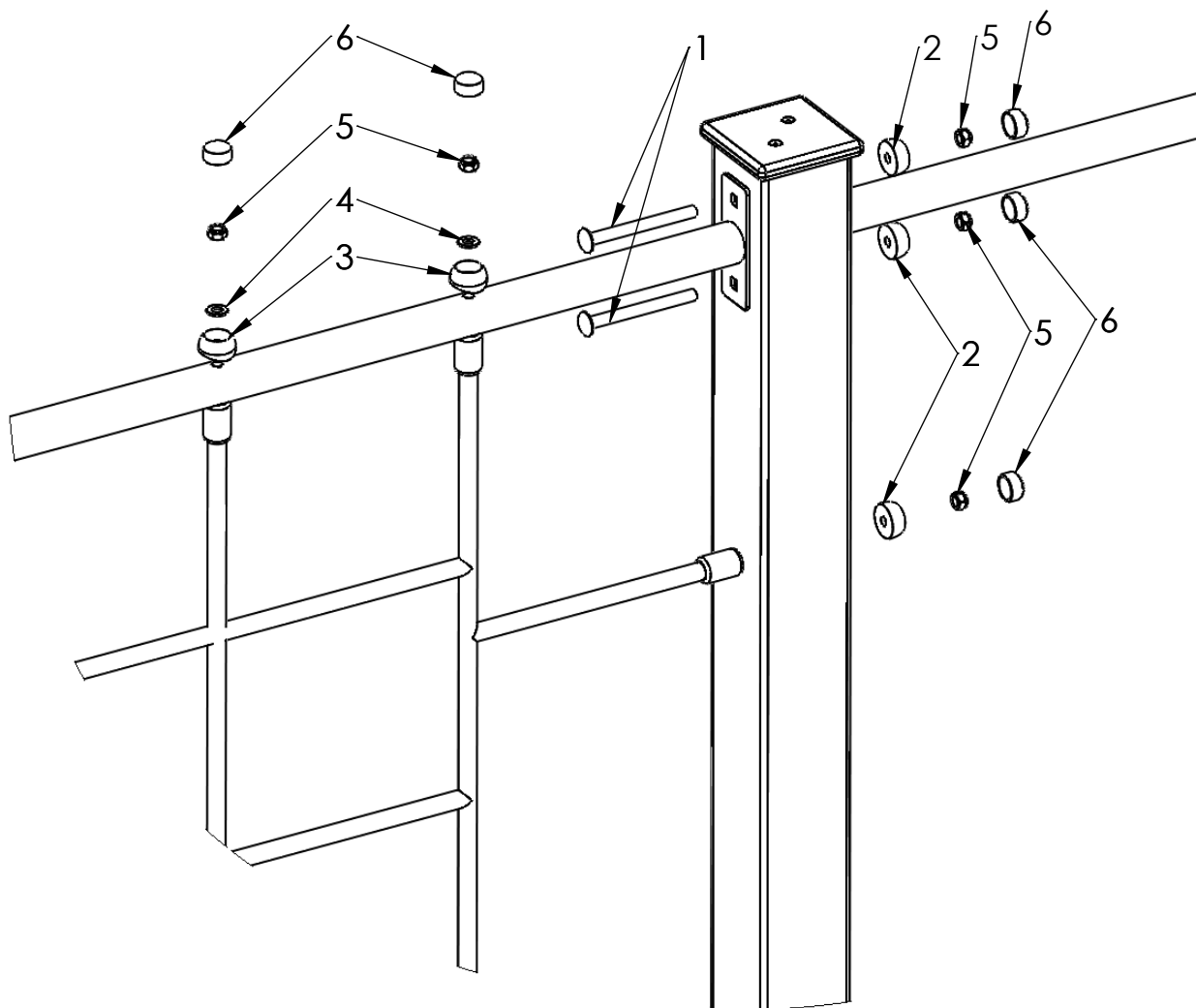
B

C

D

E

F



ITEM NO.	PART NUMBER	DESCRIPTION
1	bolt DIN603 M10x120	galvanized steel
2	nut cover M10	nut cover M10
3	nut cover for beam M10	PE pasticized
4	washer M10	galvanized steel
5	nut DIN985 M10	galvanized steel
6	nut cover cap M10	PE plastic

UNLESS OTHERWISE SPECIFIED:
DIMENSIONS ARE IN MILLIMETERS
WEIGHT ARE IN KILOGRAMM

PART NUMBER / DWG NO.:

TKR001-1

	NAME	SIGNATURE	DATE	REVISION
DRAWN	R.Fedotov		14.05.2015	
APPV'D				

DESCRIPTION:

Balance track 1

MATERIAL:

wood, metal, plastic

A4

WEIGHT:

SCALE: 1:7

SHEET 8 OF 10



Tiptiptap OÜ

Tiptiptap OÜ
Veetorni 9,
Jüri alevik, Rae vald,
75301 Harjumaa

A

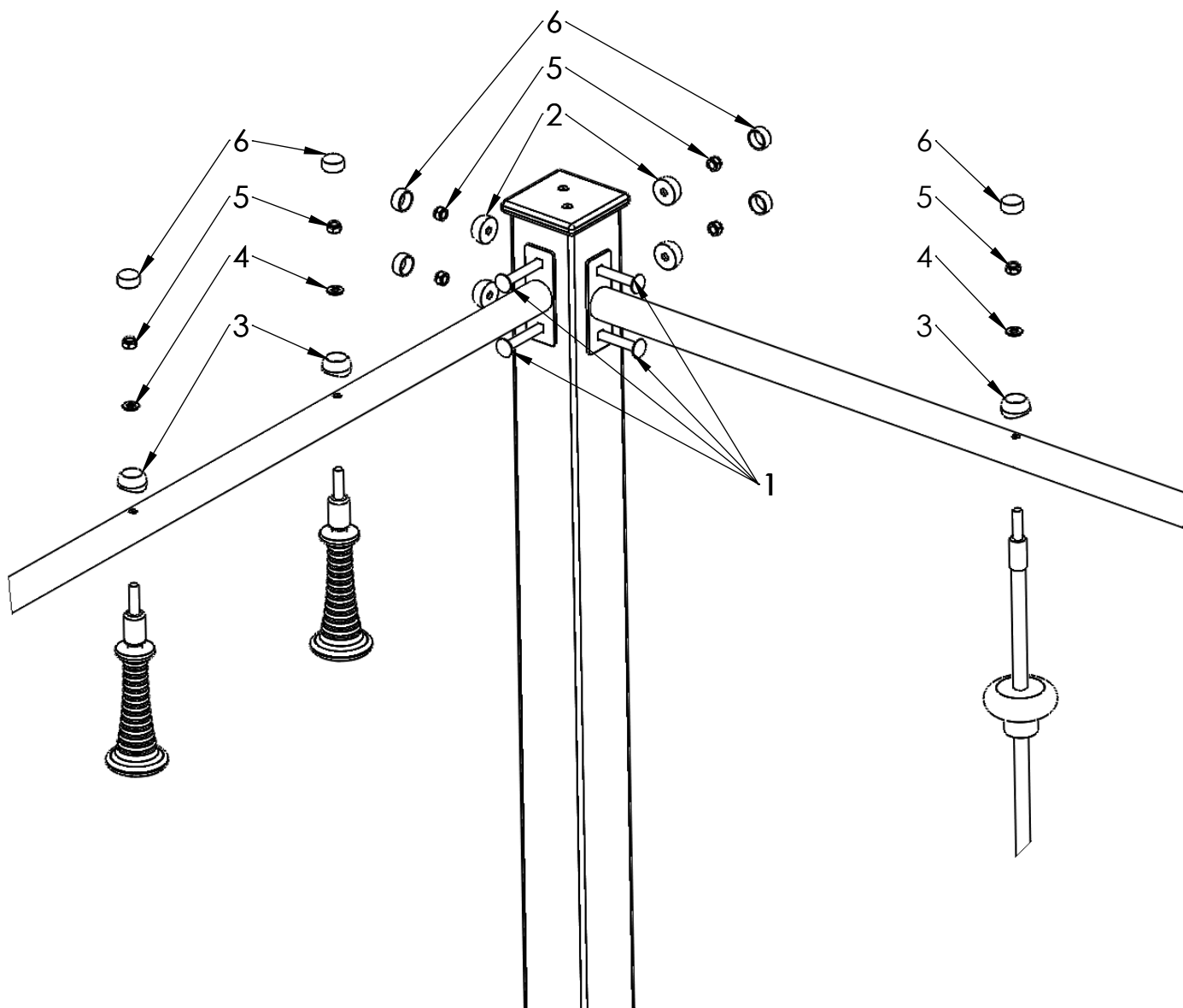
B

C

D

E

F



ITEM NO.	PART NUMBER	DESCRIPTION
1	bolt DIN603 M10x120	galvanized steel
2	nut cover M10	nut cover M10
3	nut cover for beam M10	PE pasticized
4	washer M10	galvanized steel
5	nut DIN985 M10	galvanized steel
6	nut cover cap M10	PE plastic

UNLESS OTHERWISE SPECIFIED:
DIMENSIONS ARE IN MILLIMETERS
WEIGHT ARE IN KILOGRAMM

PART NUMBER / DWG NO.:

TKR001-1

	NAME	SIGNATURE	DATE	REVISION
DRAWN	R.Fedotov		14.05.2015	
APPV'D				

DESCRIPTION:

Balance track 1

MATERIAL:

wood, metal, plastic

A4

WEIGHT:

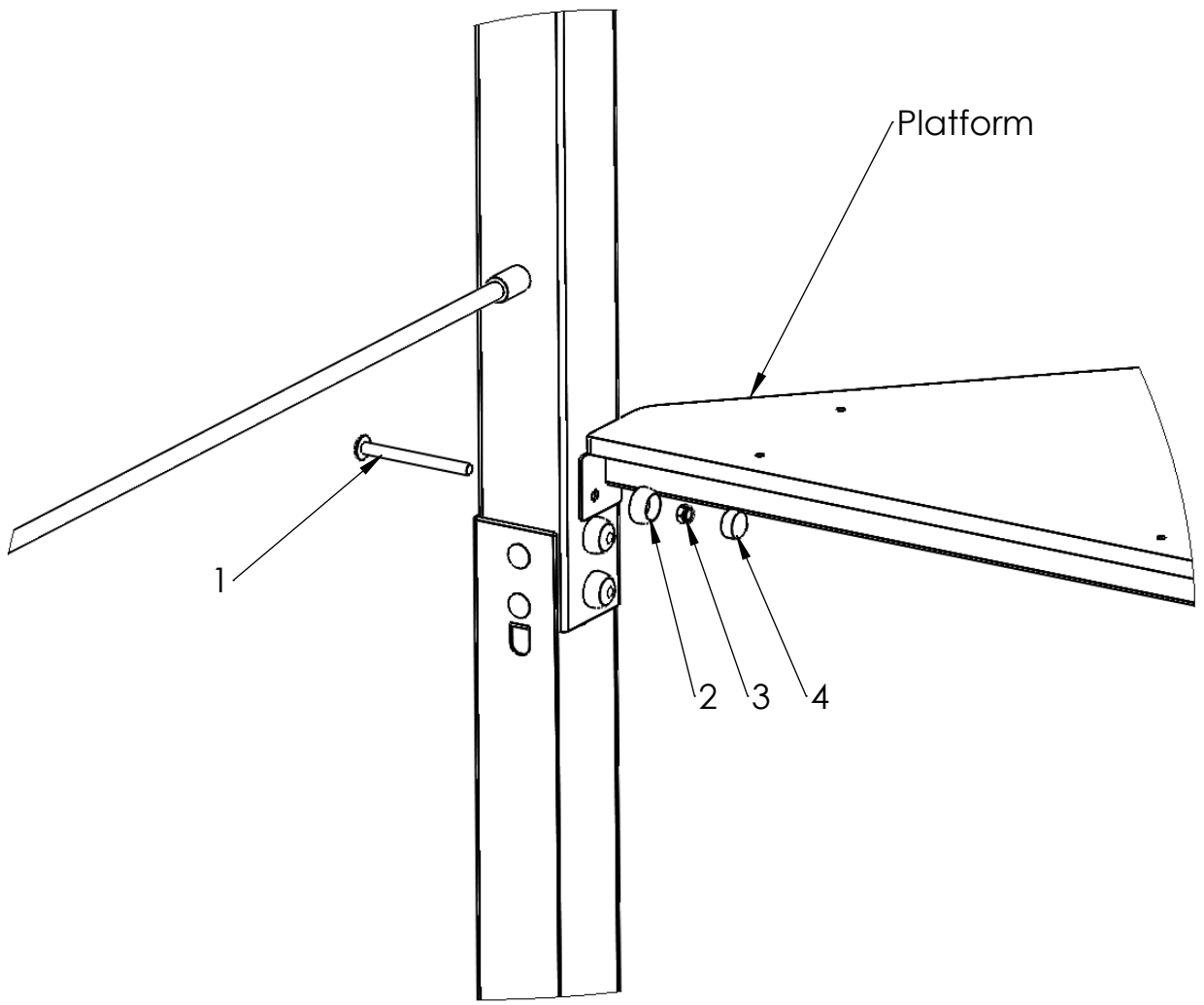
SCALE: 1:8

SHEET 9 OF 10



Tiptiptap OÜ

Tiptiptap OÜ
Veetorni 9,
Jüri alevik, Rae vald,
75301 Harjumaa



ITEM NO.	PART NUMBER	DESCRIPTION
1	bolt DIN603 M10x120	galvanized steel
2	nut cover M10	nut cover M10
3	nut DIN985 M10	galvanized steel
4	nut cover cap M10	PE plastic

UNLESS OTHERWISE SPECIFIED: DIMENSIONS ARE IN MILLIMETERS WEIGHT ARE IN KILOGRAMM				
	NAME	SIGNATURE	DATE	REVISION
DRAWN	R.Fedotov		14.05.2015	
APPV'D				

PART NUMBER / DWG NO.:		TKR001-1	
DESCRIPTION:			
Balance track 1			
MATERIAL:		wood, metal, plastic	A4
WEIGHT:		SCALE: 1:7	SHEET 10 OF 10



Tiptiptap OÜ

Tiptiptap OÜ
Veetorni 9,
Jüri alevik, Rae vald,
75301 Harjumaa