

A

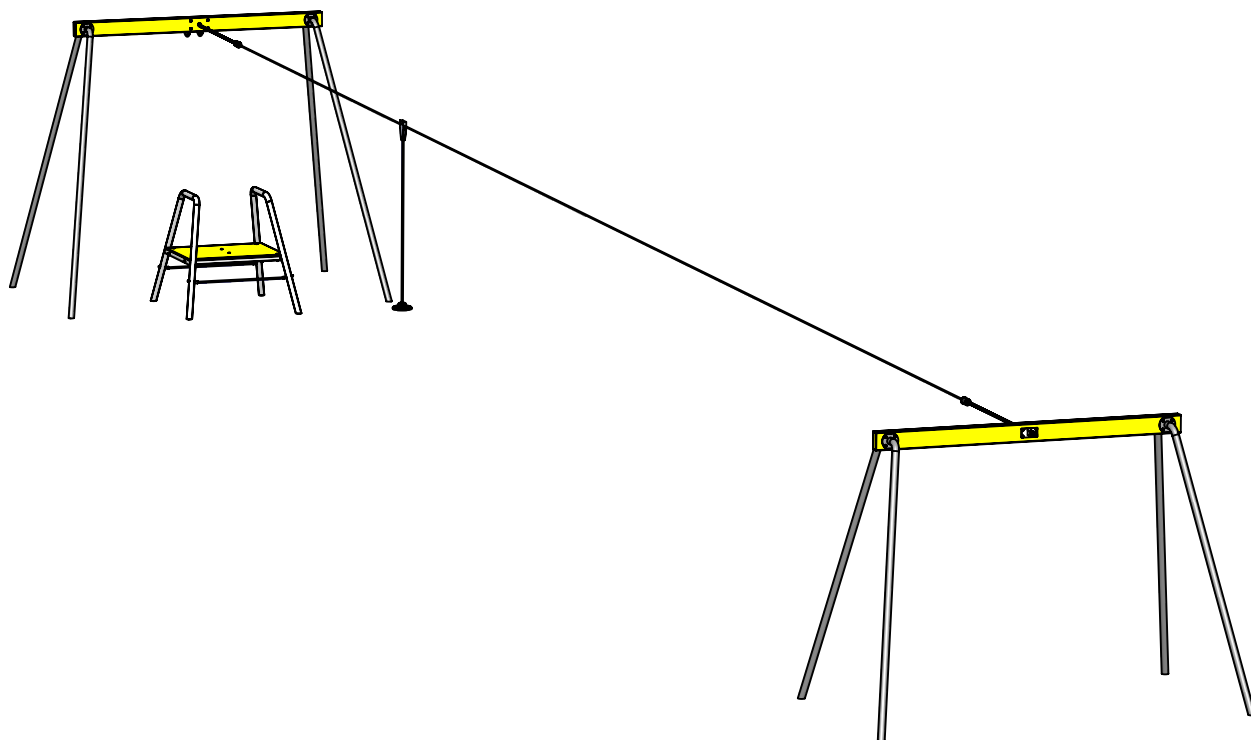
B

C

D

E

F



UNLESS OTHERWISE SPECIFIED:
DIMENSIONS ARE IN MILLIMETERS
WEIGHT ARE IN KILOGRAMM

PART NUMBER / DWG NO.:

SPR100-1

	NAME	SIGNATURE	DATE	REVISION
DRAWN	M.Rebase		26.02.2015	
APPV'D				

DESCRIPTION:

Tarzan`s track with platform



Tiptaptap OÜ

Tiptaptap OÜ
Veetorni 9,
Jüri alevik, Rae vald,
75301 Harjumaa

MATERIAL:

wood, metal, plastic

A4

WEIGHT:

SCALE: 1:65

SHEET 1 OF 9

safety area

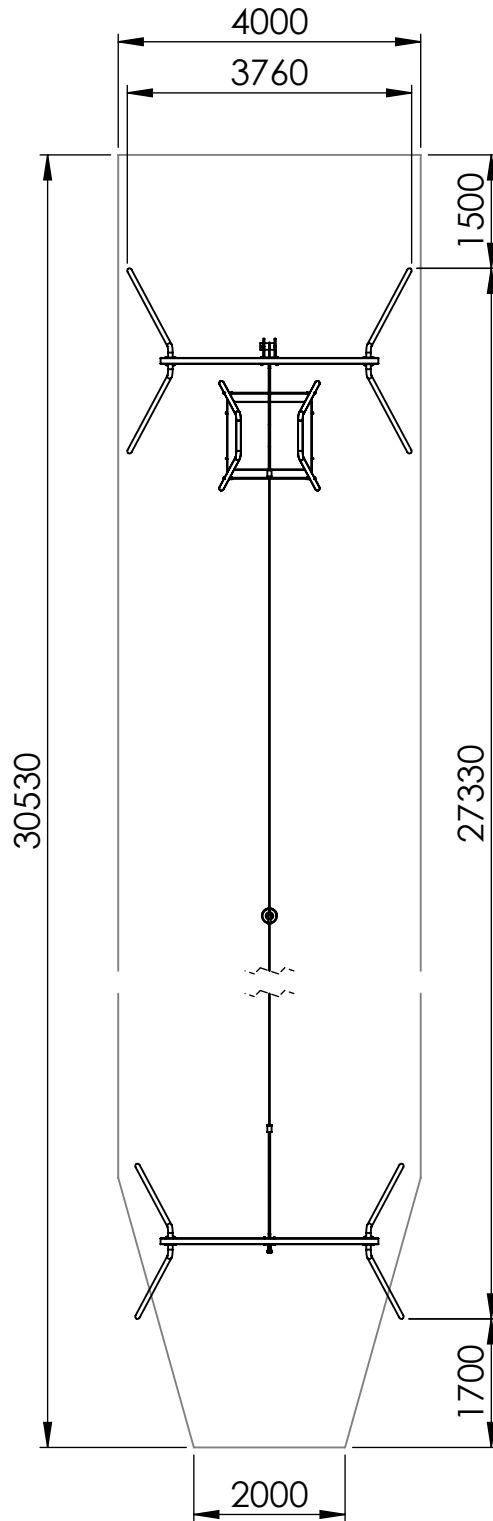
A

B

C

D

E



UNLESS OTHERWISE SPECIFIED:
DIMENSIONS ARE IN MILLIMETERS
WEIGHT ARE IN KILOGRAMM

PART NUMBER / DWG NO.:

SPR100-1

	NAME	SIGNATURE	DATE	REVISION
DRAWN	M.Rebase		26.02.2015	
APPV'D				

DESCRIPTION:

Tarzan`s track with platform



Tiptiptap OÜ

Tiptiptap OÜ
Veetorni 9,
Jüri alevik, Rae vald,
75301 Harjumaa

MATERIAL:

wood, metal, plastic

A4

WEIGHT:

SCALE: 1:100

SHEET 2 OF 9

foundation

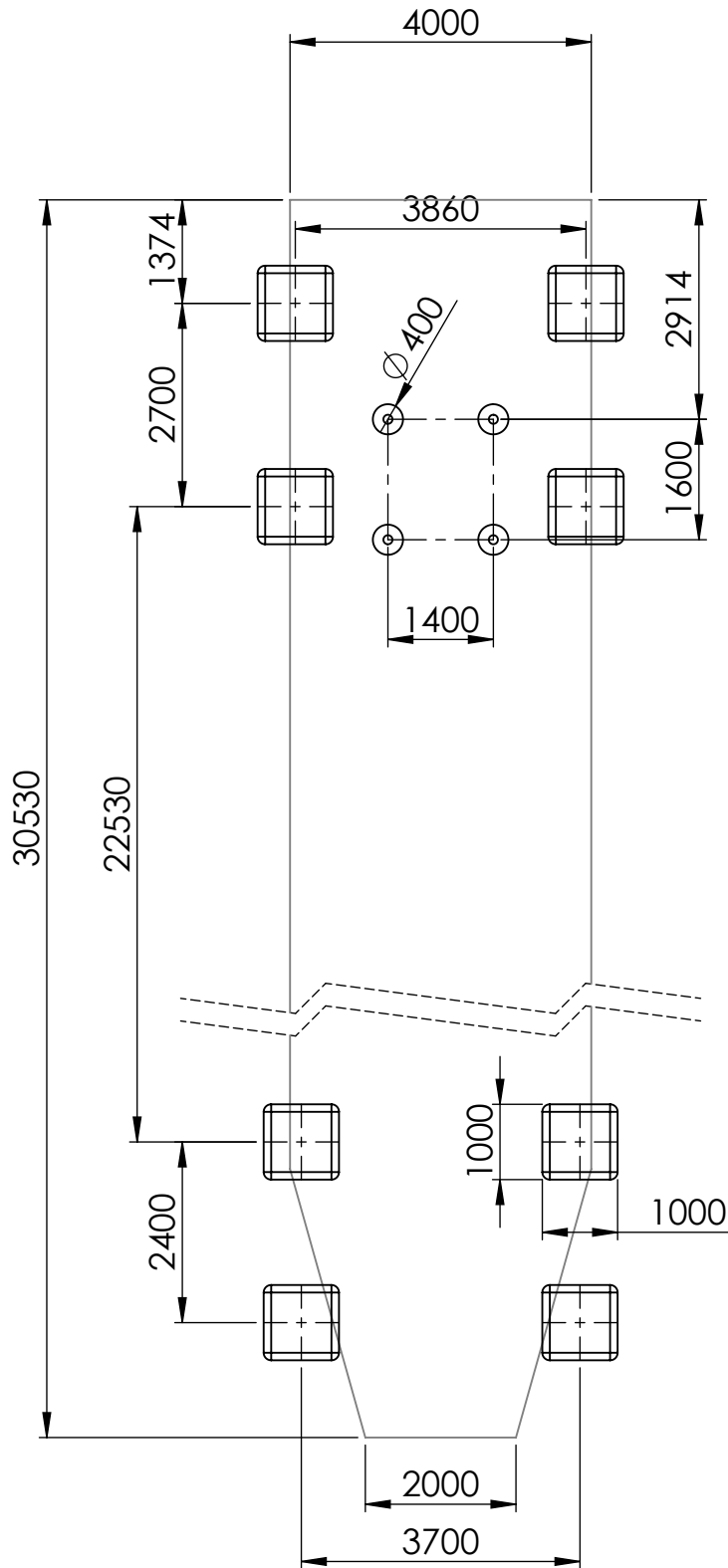
A

B

C

D

E



depth of foundation 600mm

UNLESS OTHERWISE SPECIFIED:
DIMENSIONS ARE IN MILLIMETERS
WEIGHT ARE IN KILOGRAMM

PART NUMBER / DWG NO.:

SPR100-1

	NAME	SIGNATURE	DATE	REVISION
DRAWN	M.Rebase		26.02.2015	
APPV'D				

DESCRIPTION:

Tarzan`s track with platform



Tiptiptap OÜ

Tiptiptap OÜ
Veetorni 9,
Jüri alevik, Rae vald,
75301 Harjumaa

MATERIAL:

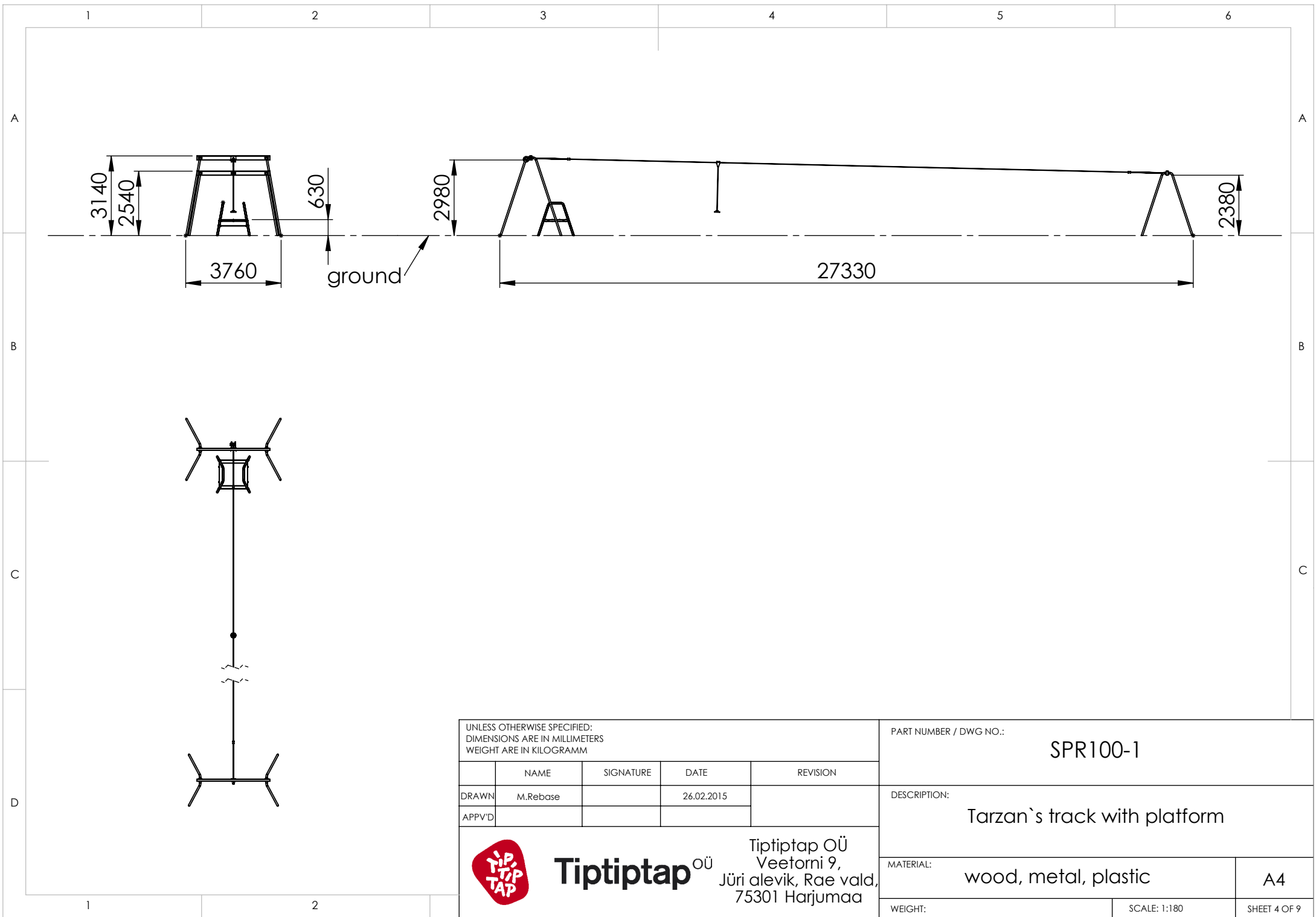
wood, metal, plastic

A4

WEIGHT:

SCALE: 1:100

SHEET 3 OF 9



UNLESS OTHERWISE SPECIFIED:
 DIMENSIONS ARE IN MILLIMETERS
 WEIGHT ARE IN KILOGRAMM

PART NUMBER / DWG NO.:
SPR100-1

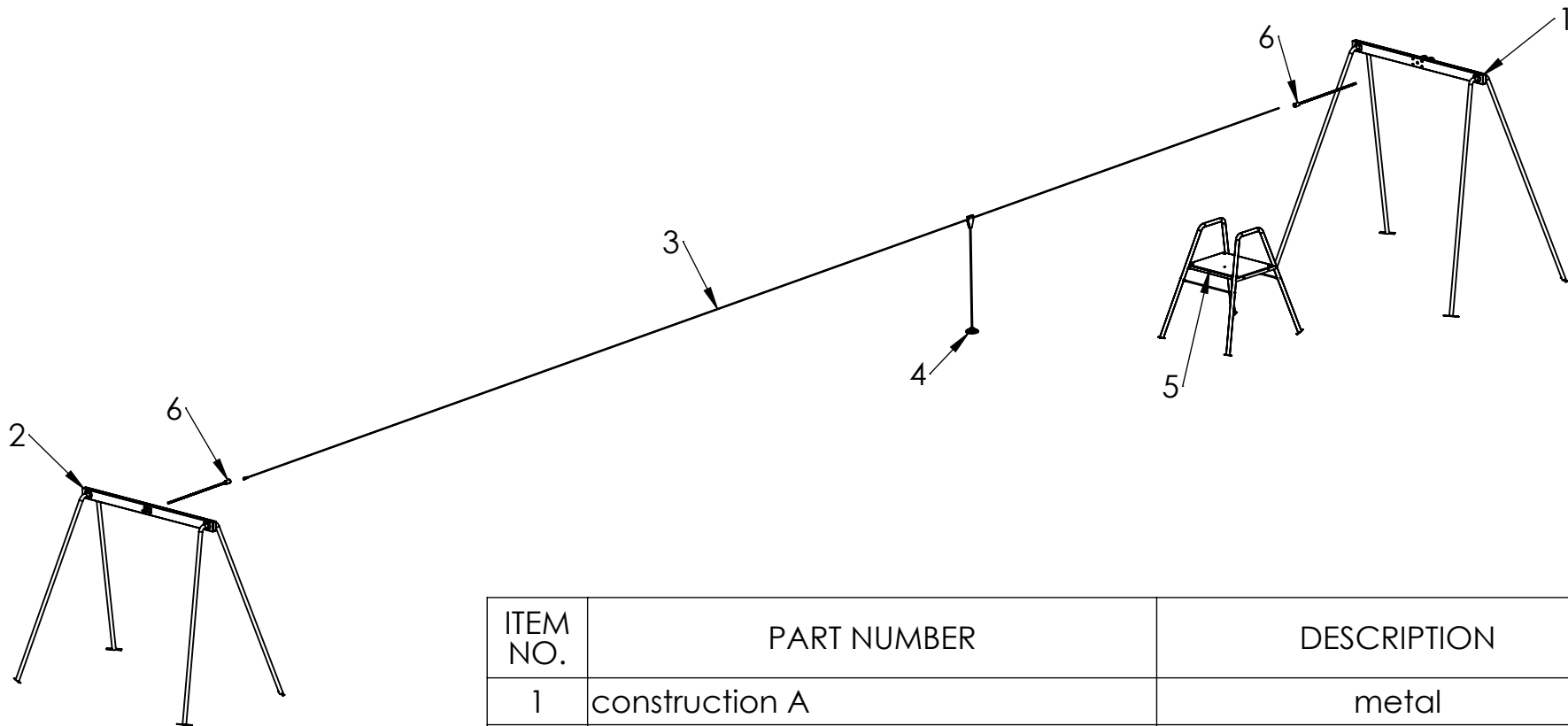
	NAME	SIGNATURE	DATE	REVISION
DRAWN	M.Rebase		26.02.2015	
APPV'D				

DESCRIPTION:
Tarzan`s track with platform



Tiptiptap OÜ
 Veetorni 9,
 Jüri alevik, Rae vald,
 75301 Harjumaa

MATERIAL:	wood, metal, plastic	A4
WEIGHT:		SCALE: 1:180
		SHEET 4 OF 9



ITEM NO.	PART NUMBER	DESCRIPTION	QTY.
1	construction A	metal	1
2	construction B	metal	1
3	rope	galvanized steel	1
4	slider	galvanized steel, plastic	1
5	platform	galvanized steel, PE plastic	1
6	impact absorber	steel, rubber	2

UNLESS OTHERWISE SPECIFIED:
DIMENSIONS ARE IN MILLIMETERS
WEIGHT ARE IN KILOGRAMM

PART NUMBER / DWG NO.:

SPR100-1

	NAME	SIGNATURE	DATE	REVISION
DRAWN	M.Rebase		26.02.2015	
APPV'D				

DESCRIPTION:

Tarzan`s track with platform

MATERIAL:

wood, metal, plastic

A4

WEIGHT:

SCALE: 1:110

SHEET 5 OF 9



Tiptaptap OÜ

Tiptaptap OÜ
Veetorni 9,
Jüri alevik, Rae vald,
75301 Harjumaa

A

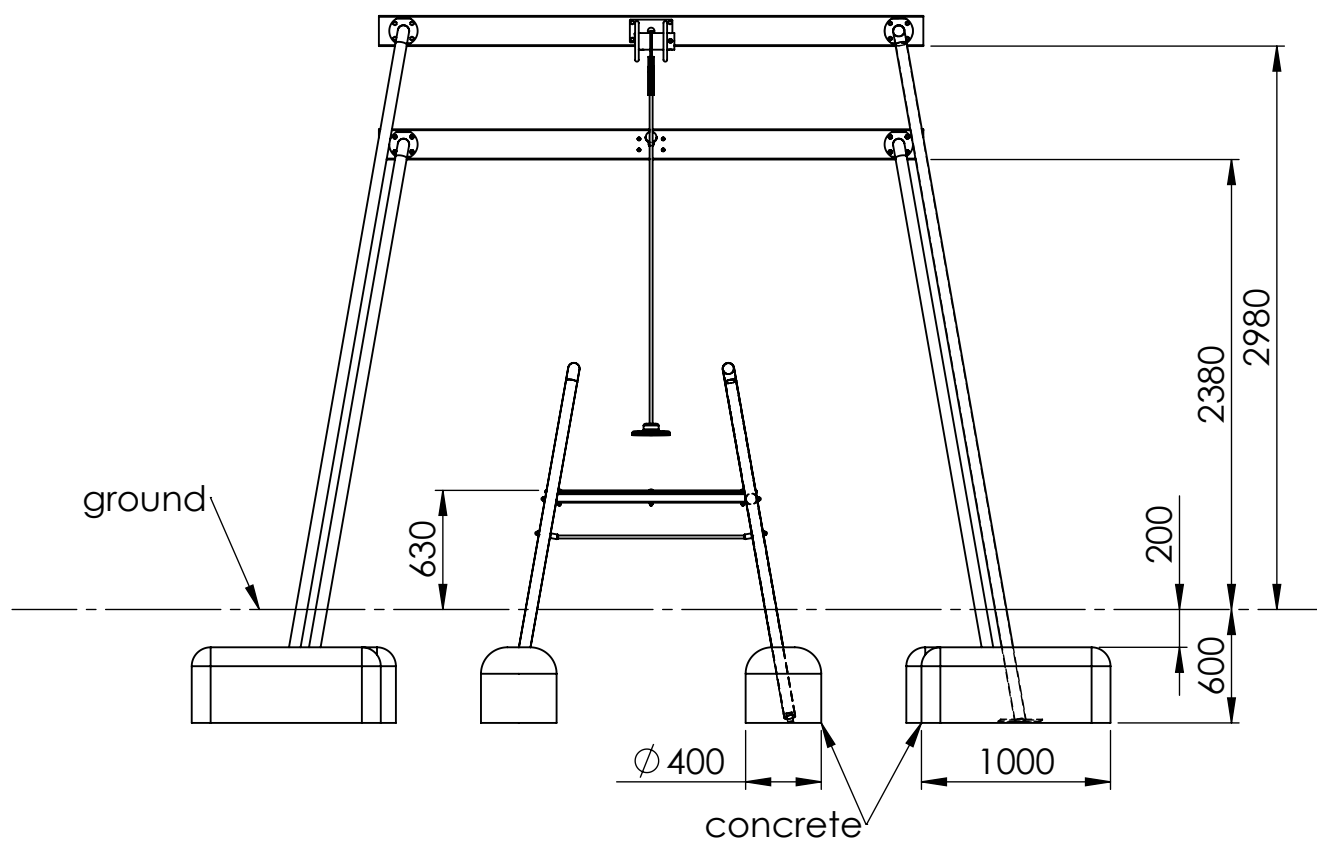
B

C

D

E

F



UNLESS OTHERWISE SPECIFIED:
DIMENSIONS ARE IN MILLIMETERS
WEIGHT ARE IN KILOGRAMM

PART NUMBER / DWG NO.:

SPR100-1

	NAME	SIGNATURE	DATE	REVISION
DRAWN	M.Rebase		26.02.2015	
APPV'D				

DESCRIPTION:

Tarzan`s track with platform



Tiptiptap OÜ

Tiptiptap OÜ
Veetorni 9,
Jüri alevik, Rae vald,
75301 Harjumaa

MATERIAL:

wood, metal, plastic

A4

WEIGHT:

SCALE: 1:40

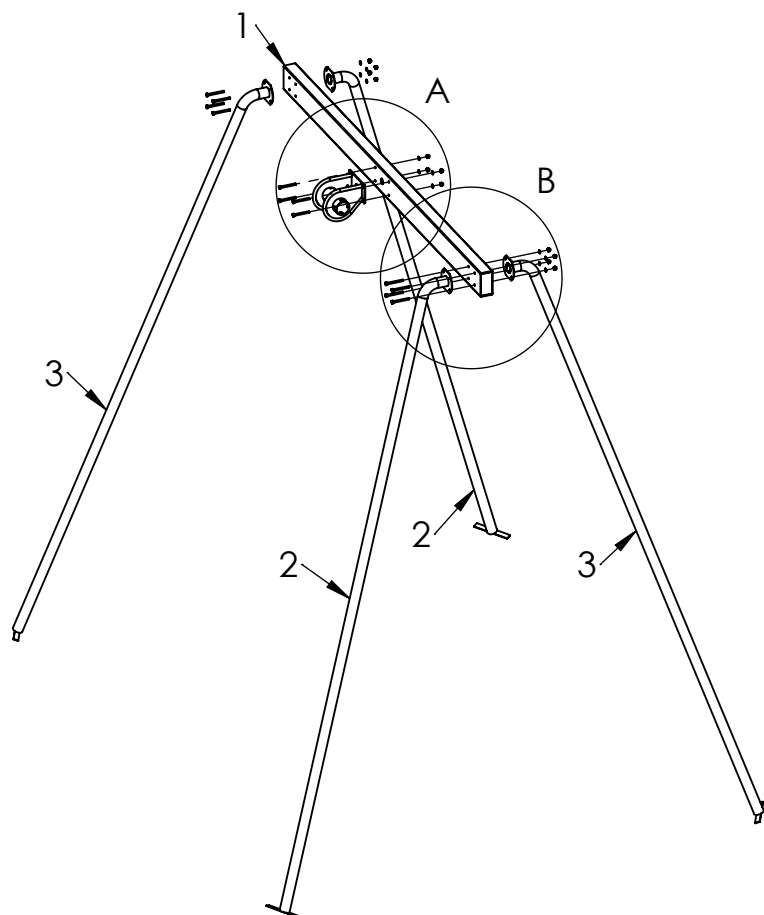
SHEET 6 OF 9

A

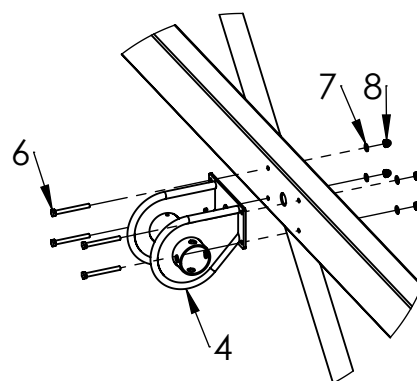
B

C

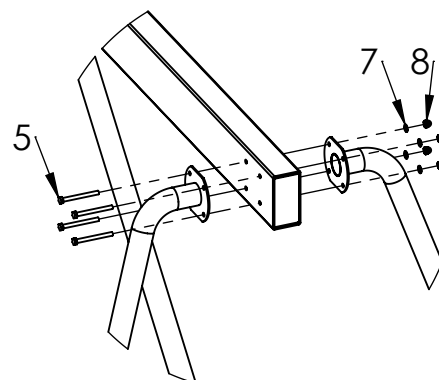
D



DETAIL A
SCALE 1 : 20



DETAIL B
SCALE 1 : 20



ITEM NO.	PART NUMBER	DESCRIPTION	QTY.
1	beam A, 80x160x2880	painting steel	1
2	support leg L-4008, right	galvanized steel	2
3	support leg L-4008, left	galvanized steel	2
4	rope tensioner	stainless steel	1
5	bolt DIN931 M10x105	galvanized steel	8
6	bolt DIN931 M10x100	galvanized steel	4
7	washer M10	galvanized steel	12
8	domed cap nut DIN1587 M10	galvanized steel	12

UNLESS OTHERWISE SPECIFIED:
DIMENSIONS ARE IN MILLIMETERS
WEIGHT ARE IN KILOGRAMM

PART NUMBER / DWG NO.:

SPR100-1

NAME	SIGNATURE	DATE	REVISION
DRAWN	M.Rebase	26.02.2015	
APPV'D			

DESCRIPTION:

Tarzan`s track with platform
construction A

MATERIAL:

wood, metal, plastic

A4

WEIGHT:

SCALE: 1:45

SHEET 7 OF 9



Tiptiptap OÜ

Tiptiptap OÜ
Veetorni 9,
Jüri alevik, Rae vald,
75301 Harjumaa

A

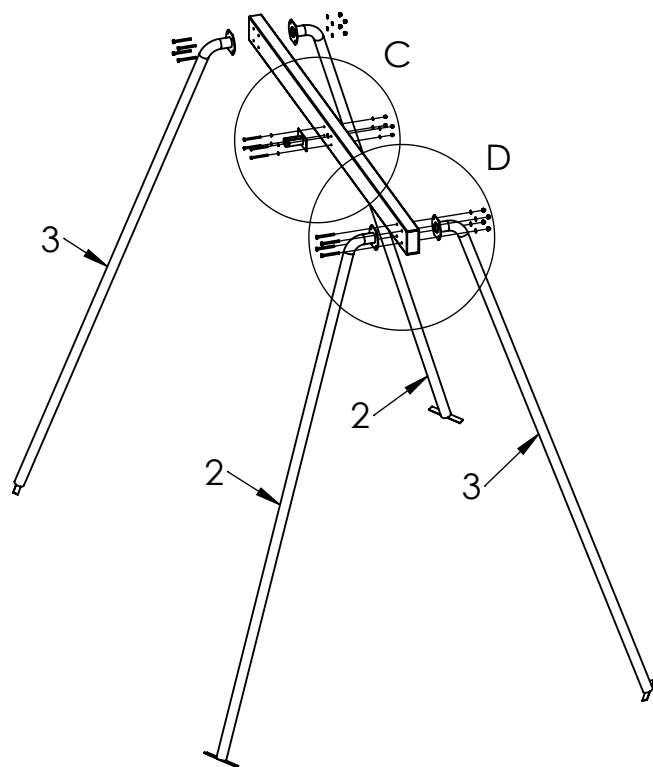
B

C

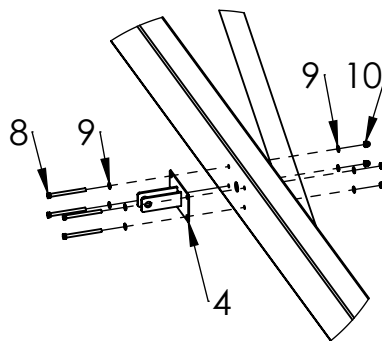
D

E

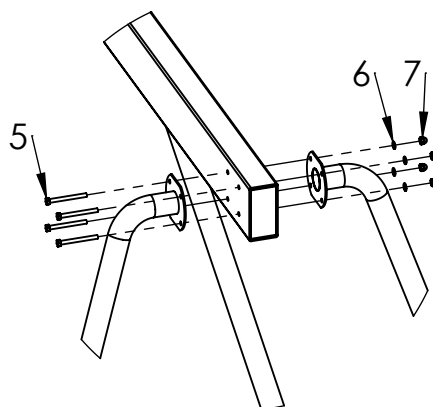
F



DETAIL C
SCALE 1 : 20



DETAIL D
SCALE 1 : 20



ITEM NO.	PART NUMBER	DESCRIPTION	QTY.
1	beam B, 80x160x2880	painted steel	1
2	support leg L-3368, right	galvanized steel	2
3	support leg L-3368, left	galvanized steel	2
4	rope fixing	stainless steel	1
5	bolt DIN931 M10x105	galvanized steel	8
6	washer M10	galvanized steel	8
7	domed cap nut DIN1587 M10	galvanized steel	8
8	bolt DIN931 M8x100	galvanized steel	4
9	washer M8	galvanized steel	8
10	domed cap nut DIN1587 M8	galvanized steel	4

UNLESS OTHERWISE SPECIFIED:
DIMENSIONS ARE IN MILLIMETERS
WEIGHT ARE IN KILOGRAMM

PART NUMBER / DWG NO.:

SPR100-1

	NAME	SIGNATURE	DATE	REVISION
DRAWN	M.Rebase		26.02.2015	
APPV'D				

DESCRIPTION:

Tarzan`s track with platform
construction B

MATERIAL:

wood, metal, plastic

A4

WEIGHT:

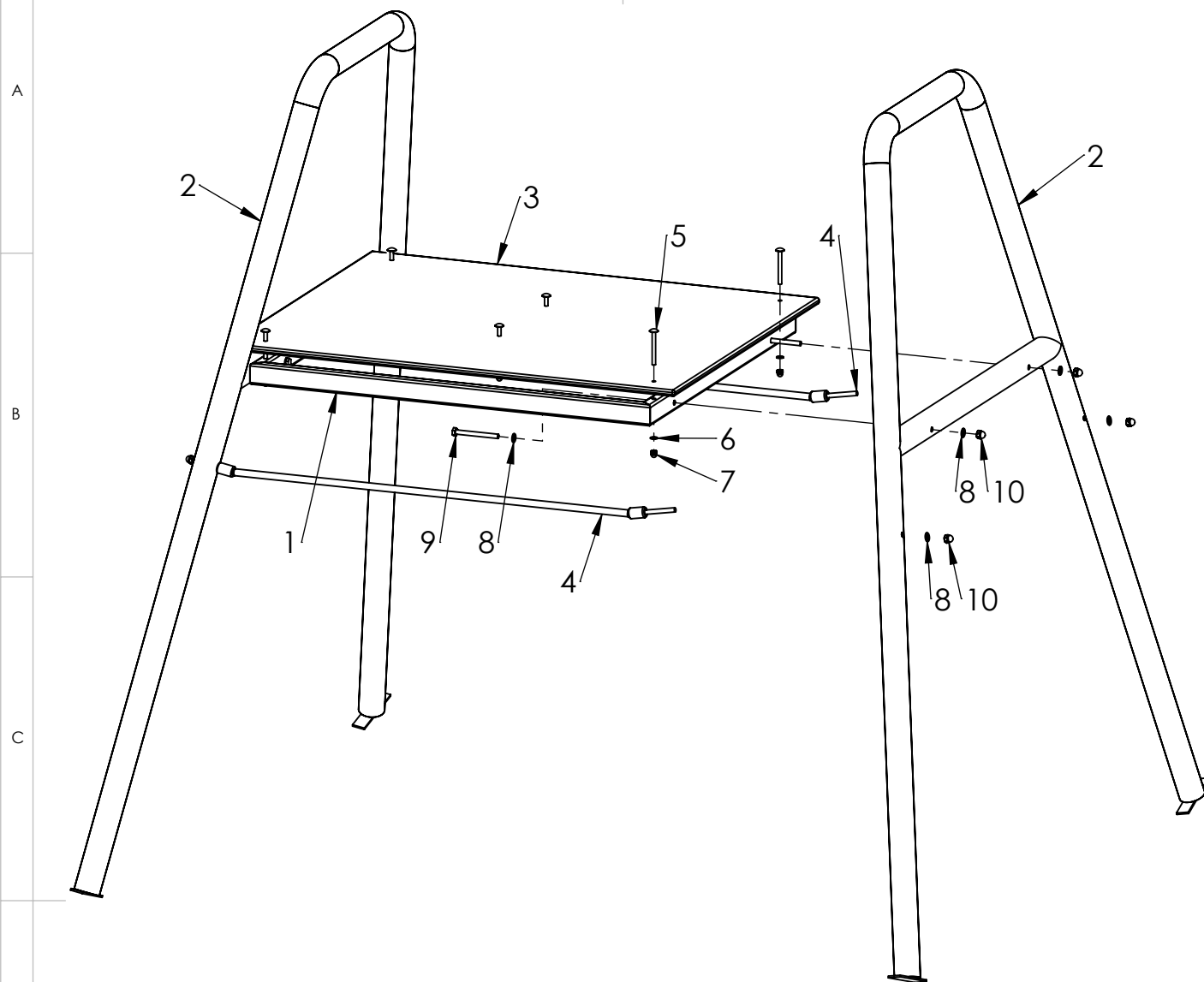
SCALE: 1:45

SHEET 8 OF 9



Tiptiptap OÜ

Tiptiptap OÜ
Veetorni 9,
Jüri alevik, Rae vald,
75301 Harjumaa



ITEM NO.	PART NUMBER	DESCRIPTION	QTY.
1	platform frame	galvanized steel	1
2	platform support frame	galvanized steel	2
3	platform plate	PE plastic	1
4	rope	PP covered steel wire	2
5	bolt DIN603 M8x80	galvanized steel	6
6	washer M8	galvanized steel	6
7	domed cap nut DIN1587 M8	galvanized steel	6
8	washer M10	galvanized steel	12
9	bolt DIN931 M10x105	galvanized steel	4
10	domed cap nut DIN1587 M10	galvanized steel	8

UNLESS OTHERWISE SPECIFIED:
DIMENSIONS ARE IN MILLIMETERS
WEIGHT ARE IN KILOGRAMM

PART NUMBER / DWG NO.:

SPR100-1

	NAME	SIGNATURE	DATE	REVISION
DRAWN	M.Rebase		26.02.2015	
APPV'D				

DESCRIPTION:

Tarzan`s track with platform
platform assembling

MATERIAL:

wood, metal, plastic

A4

WEIGHT:

SCALE: 1:15

SHEET 9 OF 9



Tiptiptap OÜ

Tiptiptap OÜ
Veetorni 9,
Jüri alevik, Rae vald,
75301 Harjumaa