

A

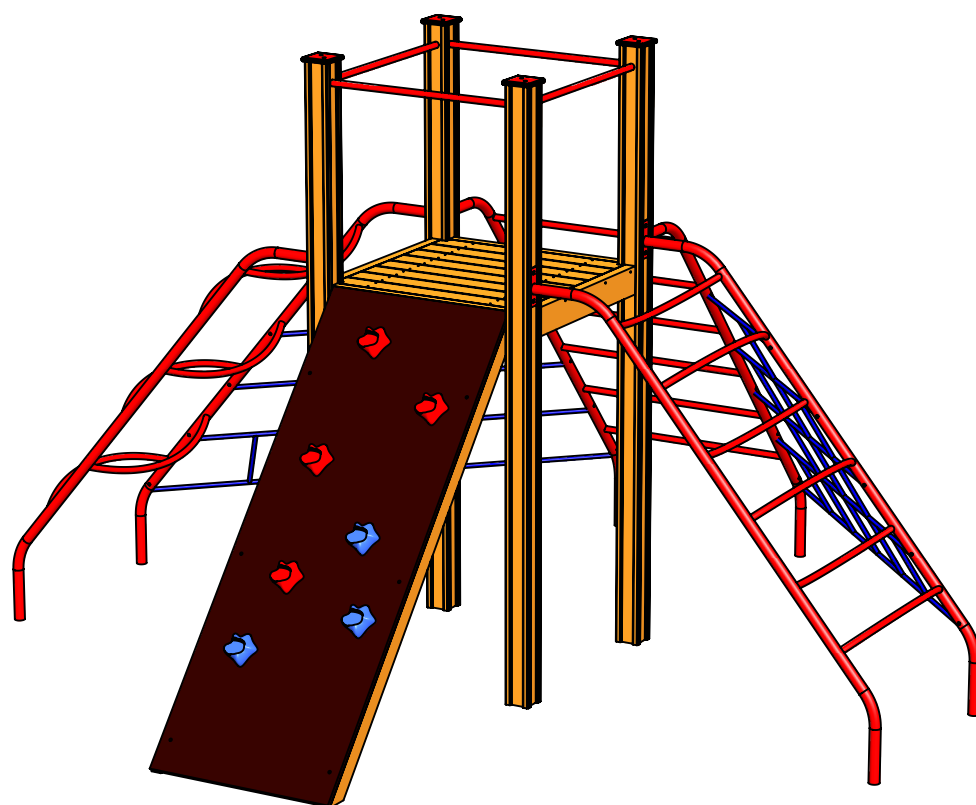
B

C

D

E

F



UNLESS OTHERWISE SPECIFIED:
DIMENSIONS ARE IN MILLIMETERS
WEIGHT ARE IN KILOGRAMM

PART NUMBER / DWG NO.:

RS211

| | NAME | SIGNATURE | DATE | REVISION |
|--------|----------|-----------|------------|----------|
| DRAWN | M.Rebase | | 17.01.2014 | |
| APPV'D | | | | |

DESCRIPTION:

Climbing frame CRAB



Tiptaptap OÜ

Tiptaptap OÜ
Veetorni 9,
Jüri alevik, Rae vald,
75301 Harjumaa

MATERIAL:

wood, metal, plastic

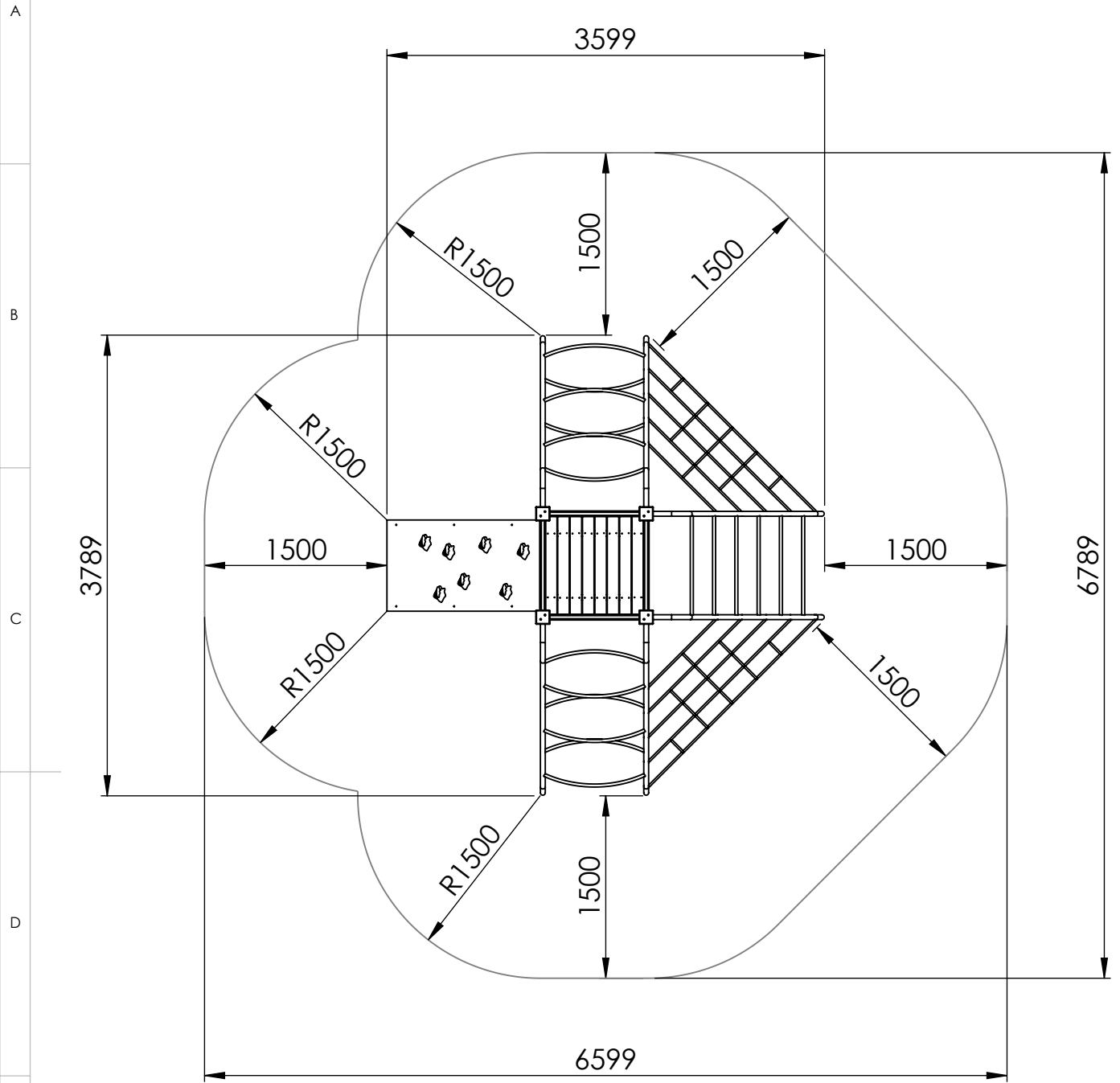
A4

WEIGHT:

SCALE: 1:25

SHEET 1 OF 9

safety area



UNLESS OTHERWISE SPECIFIED:
DIMENSIONS ARE IN MILLIMETERS
WEIGHT ARE IN KILOGRAMM

PART NUMBER / DWG NO.:

RS211

| | NAME | SIGNATURE | DATE | REVISION |
|--------|----------|-----------|------------|----------|
| DRAWN | M.Rebase | | 17.01.2014 | |
| APPV'D | | | | |

DESCRIPTION:

Climbing frame CRAB



Tiptiptap OÜ

Tiptiptap OÜ
Veetorni 9,
Jüri alevik, Rae vald,
75301 Harjumaa

MATERIAL:

wood, metal, plastic

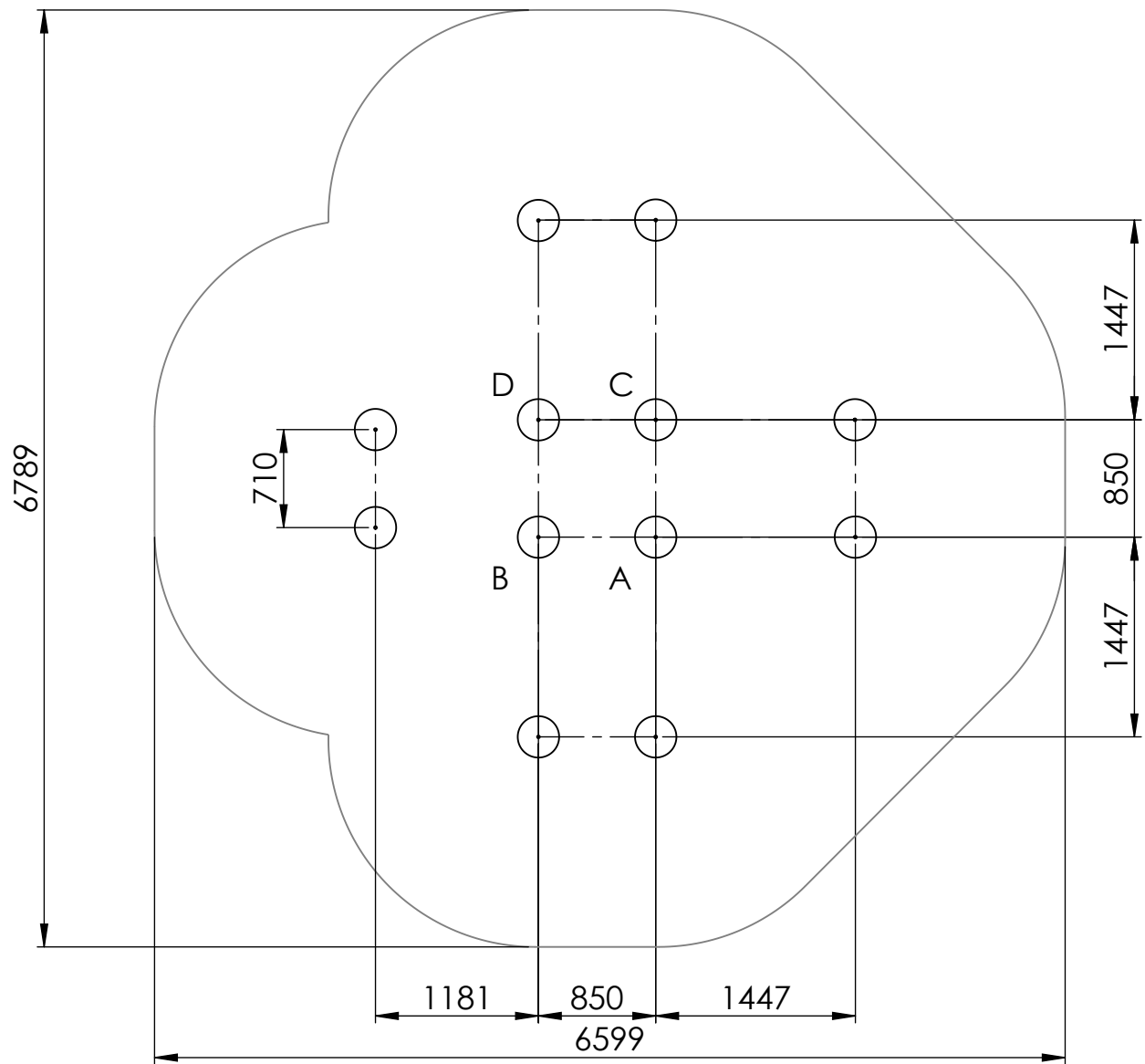
A4

WEIGHT:

SCALE: 1:50

SHEET 2 OF 9

foundation



depth of foundation 500mm

UNLESS OTHERWISE SPECIFIED:
DIMENSIONS ARE IN MILLIMETERS
WEIGHT ARE IN KILOGRAMM

PART NUMBER / DWG NO.:

RS211

| | NAME | SIGNATURE | DATE | REVISION |
|--------|----------|-----------|------------|----------|
| DRAWN | M.Rebase | | 17.01.2014 | |
| APPV'D | | | | |

DESCRIPTION:

Climbing frame CRAB



Tiptiptap OÜ

Tiptiptap OÜ
Veetorni 9,
Jüri alevik, Rae vald,
75301 Harjumaa

MATERIAL:

wood, metal, plastic

A4

WEIGHT:

SCALE: 1:50

SHEET 3 OF 9

A

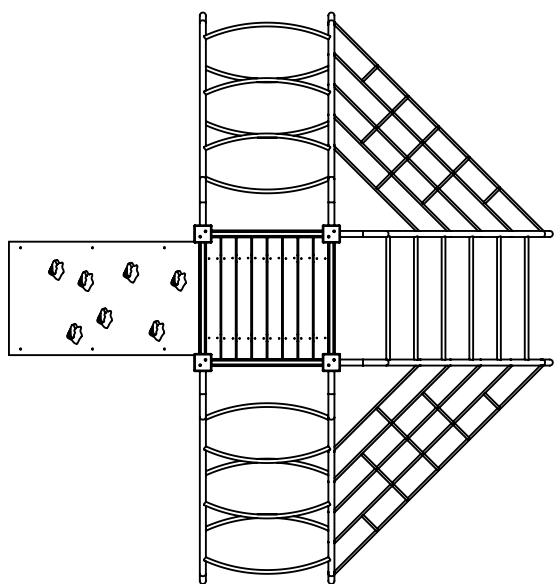
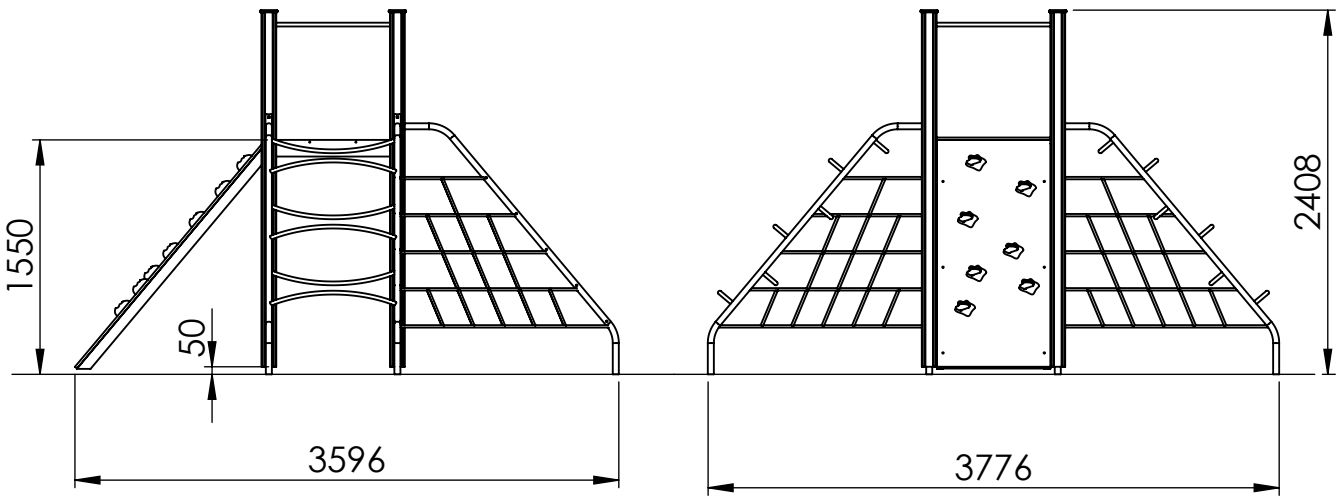
B

C

D

E

F



| | | | | |
|---|----------|-----------|------------|----------|
| UNLESS OTHERWISE SPECIFIED: DIMENSIONS ARE IN MILLIMETERS WEIGHT ARE IN KILOGRAMM | | | | |
| | NAME | SIGNATURE | DATE | REVISION |
| DRAWN | M.Rebase | | 17.01.2014 | |
| APPV'D | | | | |

| | |
|------------------------|---------------------|
| PART NUMBER / DWG NO.: | RS211 |
| DESCRIPTION: | Climbing frame CRAB |



Tiptaptap OÜ
Veetorni 9,
Jüri alevik, Rae vald,
75301 Harjumaa

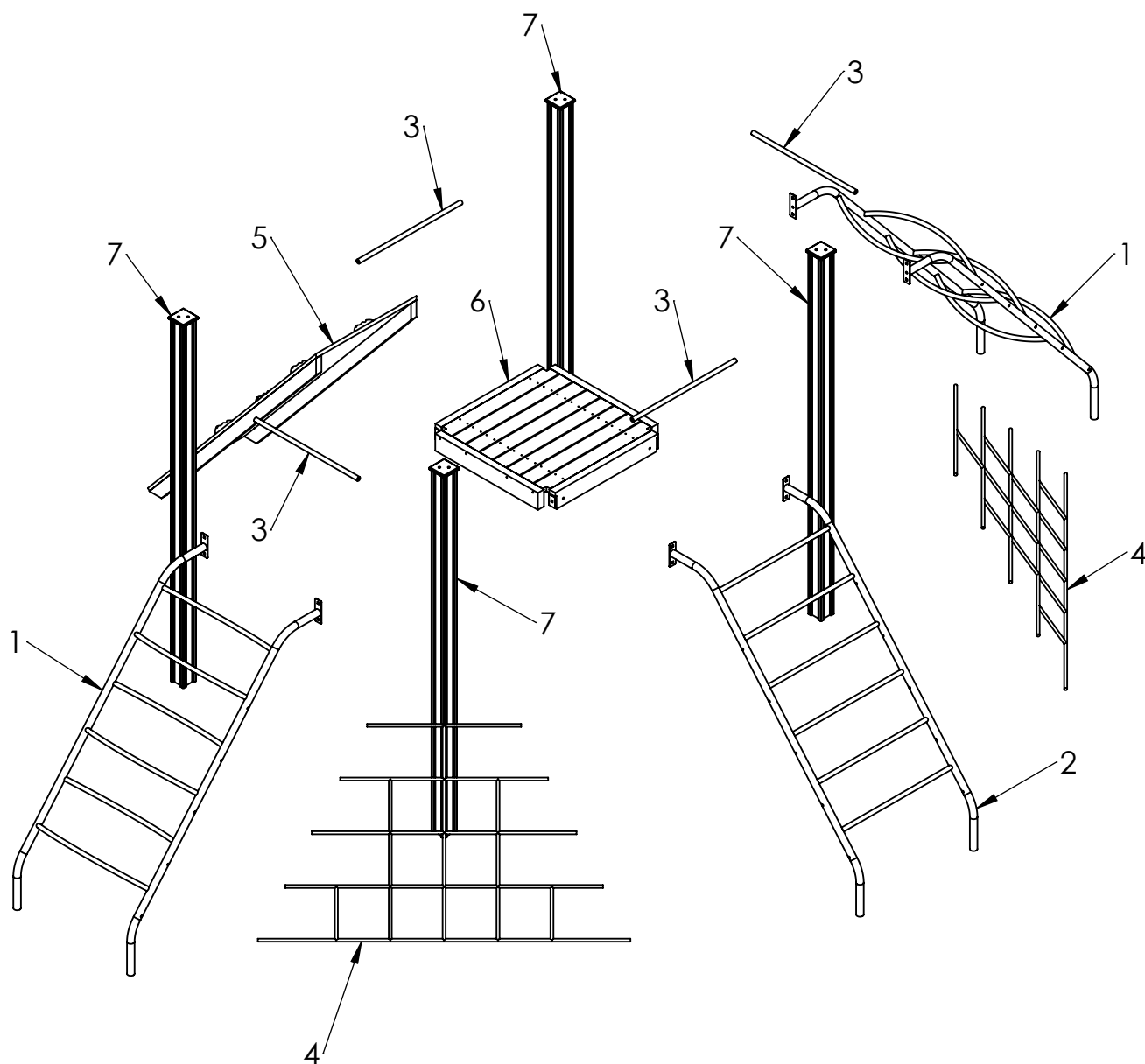
| | | |
|-----------|----------------------|--------------|
| MATERIAL: | wood, metal, plastic | A4 |
| WEIGHT: | SCALE: 1:50 | SHEET 4 OF 9 |

A

B

C

D



E

F

| ITEM NO. | PART NUMBER | DESCRIPTION | QTY. |
|----------|----------------------|-----------------------|------|
| 1 | ladder A | painted steel | 2 |
| 2 | ladder B | painted steel | 1 |
| 3 | guardrail d.25x770 | painted steel | 4 |
| 4 | climbing net | PP covered steel wire | 2 |
| 5 | climbing ramp h_1550 | wood, plywood | 1 |
| 6 | platform | laminated wood | 1 |
| 7 | post 98x98x2350 | laminated wood | 4 |

UNLESS OTHERWISE SPECIFIED:
DIMENSIONS ARE IN MILLIMETERS
WEIGHT ARE IN KILOGRAMM

PART NUMBER / DWG NO.:

RS211

| | NAME | SIGNATURE | DATE | REVISION |
|--------|----------|-----------|------------|----------|
| DRAWN | M.Rebase | | 17.01.2014 | |
| APPV'D | | | | |

DESCRIPTION:

Climbing frame CRAB

MATERIAL:

wood, metal, plastic

A4

WEIGHT:

SCALE: 1:35

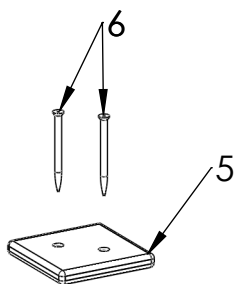
SHEET 5 OF 9



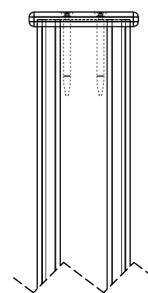
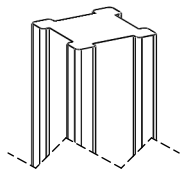
Tiptaptap OÜ

Tiptaptap OÜ
Veetorni 9,
Jüri alevik, Rae vald,
75301 Harjumaa

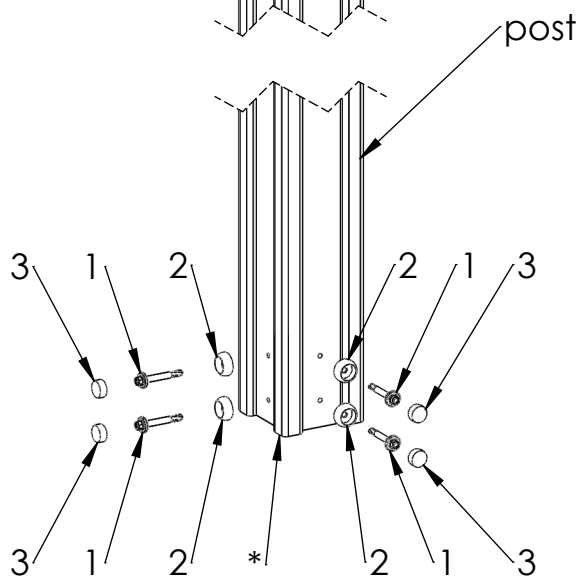
A



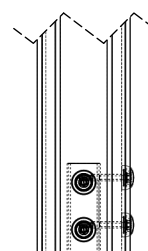
B



C



ground



50

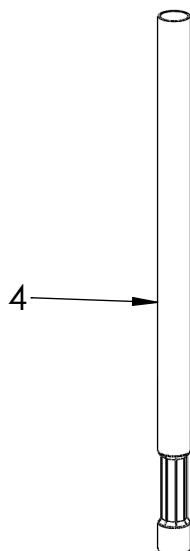
concrete

200

455

500

D



Ø 300

E

| ITEM NO. | PART NUMBER |
|----------|---------------------------|
| 1 | screw DIN7504K 5,5x50 |
| 2 | nut cover M6 |
| 3 | nut cover cap M6 |
| 4 | metal ground fixing L_600 |
| 5 | plastic cap 115x115 |
| 6 | Woodscrew 6 x 90 |

UNLESS OTHERWISE SPECIFIED:
DIMENSIONS ARE IN MILLIMETERS
WEIGHT ARE IN KILOGRAMM

PART NUMBER / DWG NO.:

RS211

| NAME | SIGNATURE | DATE | REVISION |
|--------|-----------|------------|----------|
| DRAWN | M.Rebase | 17.01.2014 | |
| APPV'D | | | |

DESCRIPTION:

Climbing frame CRAB
connecting metal ground fixing to post

F



Tiptiptap OÜ

Tiptiptap OÜ
Veetorni 9,
Jüri alevik, Rae vald,
75301 Harjumaa

MATERIAL:

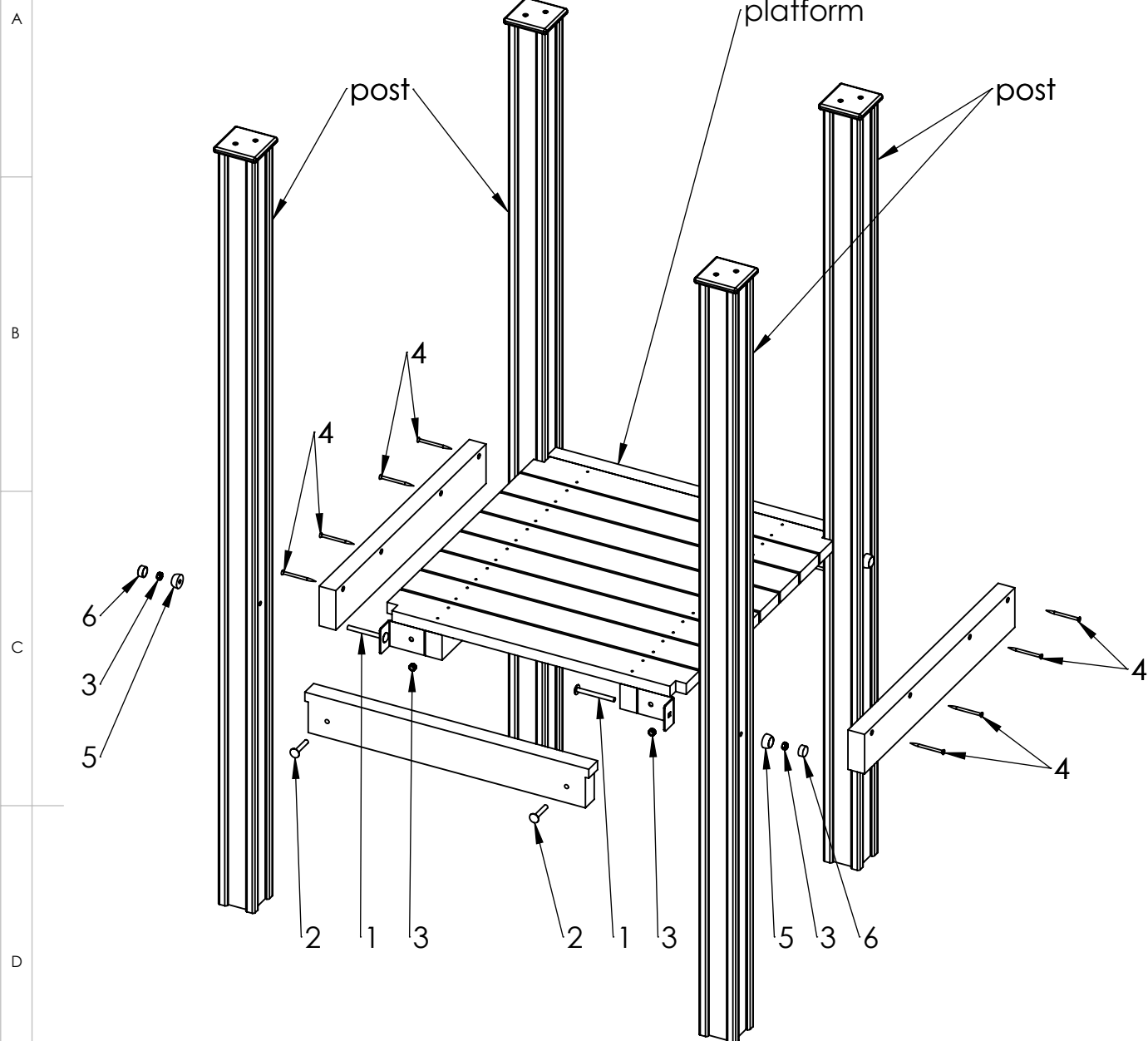
wood, metal, plastic

A4

WEIGHT:

SCALE: 1:8

SHEET 6 OF 9



| ITEM NO. | PART NUMBER |
|----------|---------------------|
| 1 | bolt DIN603 M10x100 |
| 2 | bolt DIN603 M10x60 |
| 3 | nut DIN985 M10 |
| 4 | Woodscrew 6 x 90 |
| 5 | nut cover M10 |
| 6 | nut cover cap M10 |

UNLESS OTHERWISE SPECIFIED:
DIMENSIONS ARE IN MILLIMETERS
WEIGHT ARE IN KILOGRAMM

PART NUMBER / DWG NO.:

RS211

| | NAME | SIGNATURE | DATE | REVISION |
|--------|----------|-----------|------------|----------|
| DRAWN | M.Rebase | | 17.01.2014 | |
| APPV'D | | | | |

DESCRIPTION:

Climbing frame CRAB
connecting platform to post

MATERIAL:

wood, metal, plastic

A4

WEIGHT:

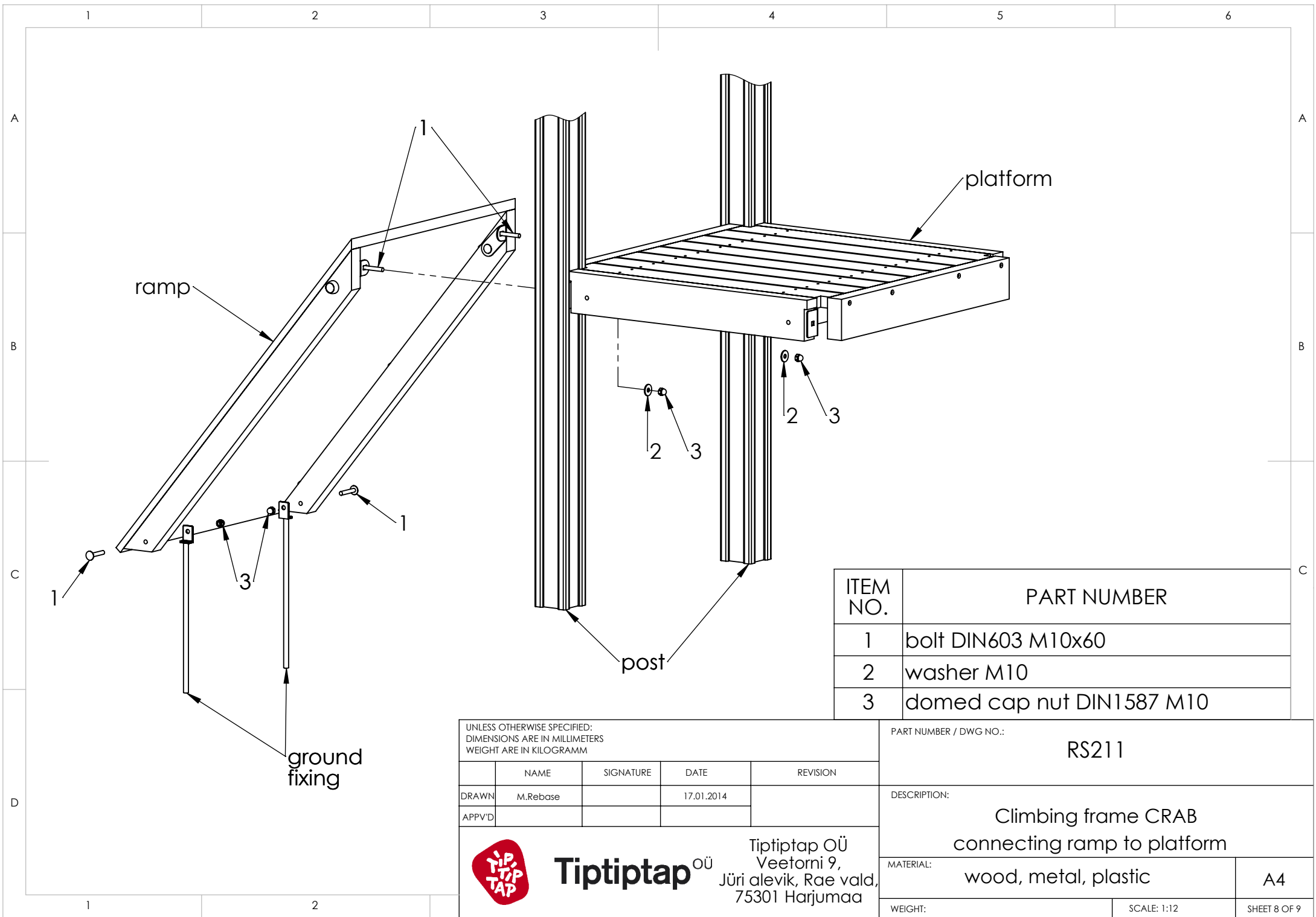
SCALE: 1:15

SHEET 7 OF 9



Tiptiptap OÜ

Tiptiptap OÜ
Veetorni 9,
Jüri alevik, Rae vald,
75301 Harjumaa



| ITEM NO. | PART NUMBER |
|----------|---------------------------|
| 1 | bolt DIN603 M10x60 |
| 2 | washer M10 |
| 3 | domed cap nut DIN1587 M10 |

UNLESS OTHERWISE SPECIFIED:
 DIMENSIONS ARE IN MILLIMETERS
 WEIGHT ARE IN KILOGRAMM

| | NAME | SIGNATURE | DATE | REVISION |
|--------|----------|-----------|------------|----------|
| DRAWN | M.Rebase | | 17.01.2014 | |
| APPV'D | | | | |

PART NUMBER / DWG NO.:
RS211

DESCRIPTION:
**Climbing frame CRAB
 connecting ramp to platform**



Tiptaptap OÜ
 Tiptaptap OÜ
 Veetorni 9,
 Jüri alevik, Rae vald,
 75301 Harjumaa

| | | |
|-----------|----------------------|--------------|
| MATERIAL: | wood, metal, plastic | A4 |
| WEIGHT: | SCALE: 1:12 | SHEET 8 OF 9 |

A

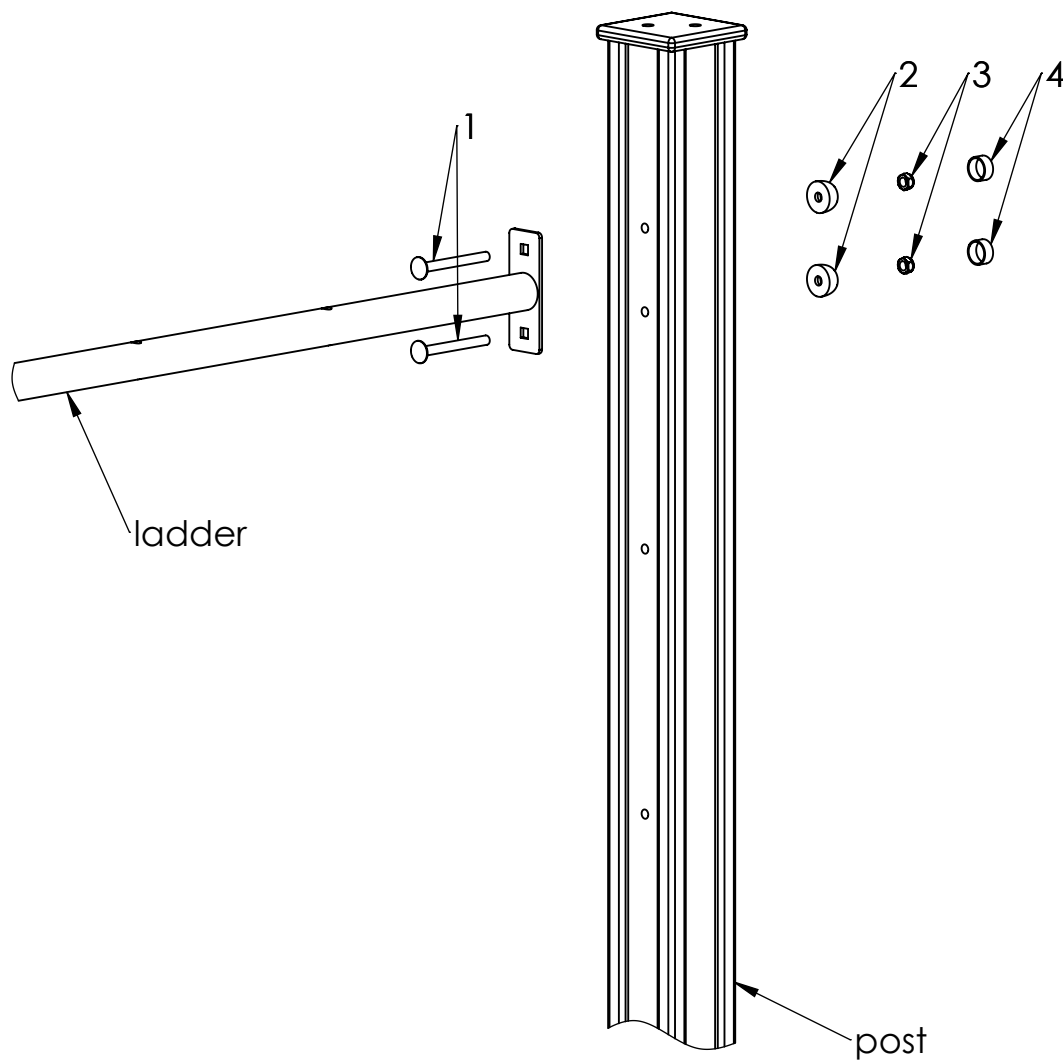
B

C

D

E

F



| ITEM NO. | PART NUMBER |
|----------|------------------------|
| 1 | bolt DIN603 M10x100 |
| 2 | nut cover M10 |
| 3 | nut DIN985 M10 |
| 4 | nut cover cap M10 |
| 5 | beam 40x1455 for net |
| 6 | climbing net 1450x1740 |

UNLESS OTHERWISE SPECIFIED:
DIMENSIONS ARE IN MILLIMETERS
WEIGHT ARE IN KILOGRAMM

| | NAME | SIGNATURE | DATE | REVISION |
|--------|----------|-----------|------------|----------|
| DRAWN | M.Rebase | | 17.01.2014 | |
| APPV'D | | | | |

PART NUMBER / DWG NO.:

RS211

DESCRIPTION:

Climbing frame CRAB
connecting beam and climbing net to post

MATERIAL:

wood, metal, plastic

A4

WEIGHT:

SCALE: 1:8

SHEET 9 OF 9



Tiptaptap OÜ

Tiptaptap OÜ
Veetorni 9,
Jüri alevik, Rae vald,
75301 Harjumaa