

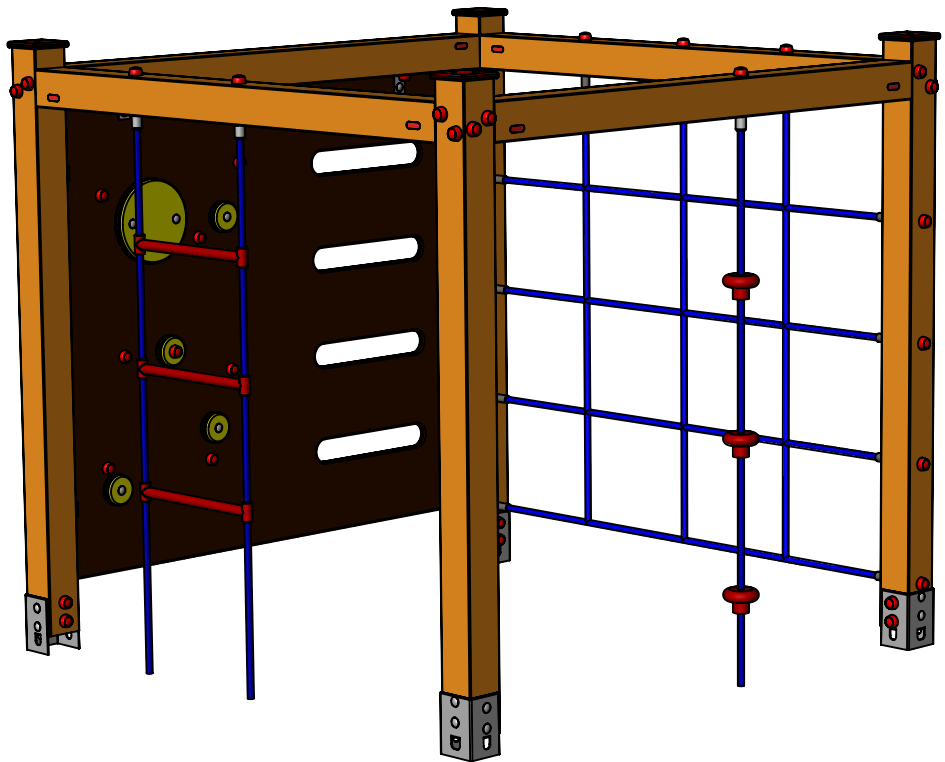
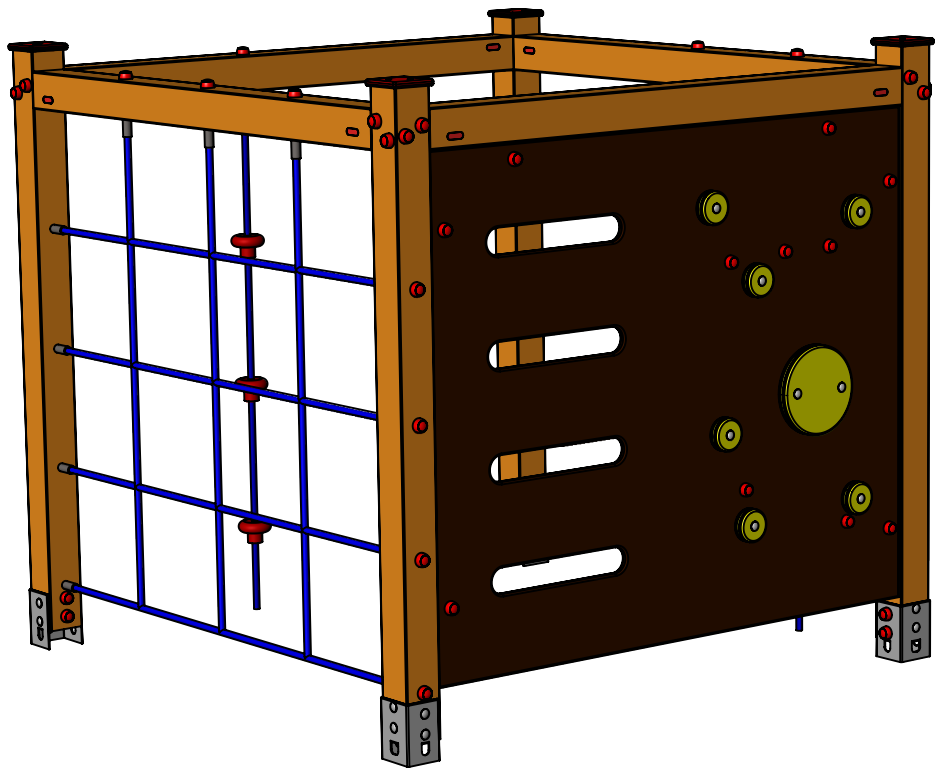
A

B

C

D

E



UNLESS OTHERWISE SPECIFIED:
 DIMENSIONS ARE IN MILLIMETERS
 WEIGHT ARE IN KILOGRAMM

PART NUMBER / DWG NO.:

RS124

	NAME	SIGNATURE	DATE	REVISION
DRAWN	R.Fedotov		10.02.2015	
APPV'D				

DESCRIPTION:

TETRA

F



Tiptap OÜ

Tiptap OÜ
 Veetorni 9,
 Jüri alevik, Rae vald,
 75301 Harjumaa

MATERIAL:

wood, metal, plastic

A4

WEIGHT:

SCALE: 1:17

SHEET 1 OF 8

Foundation and safety area

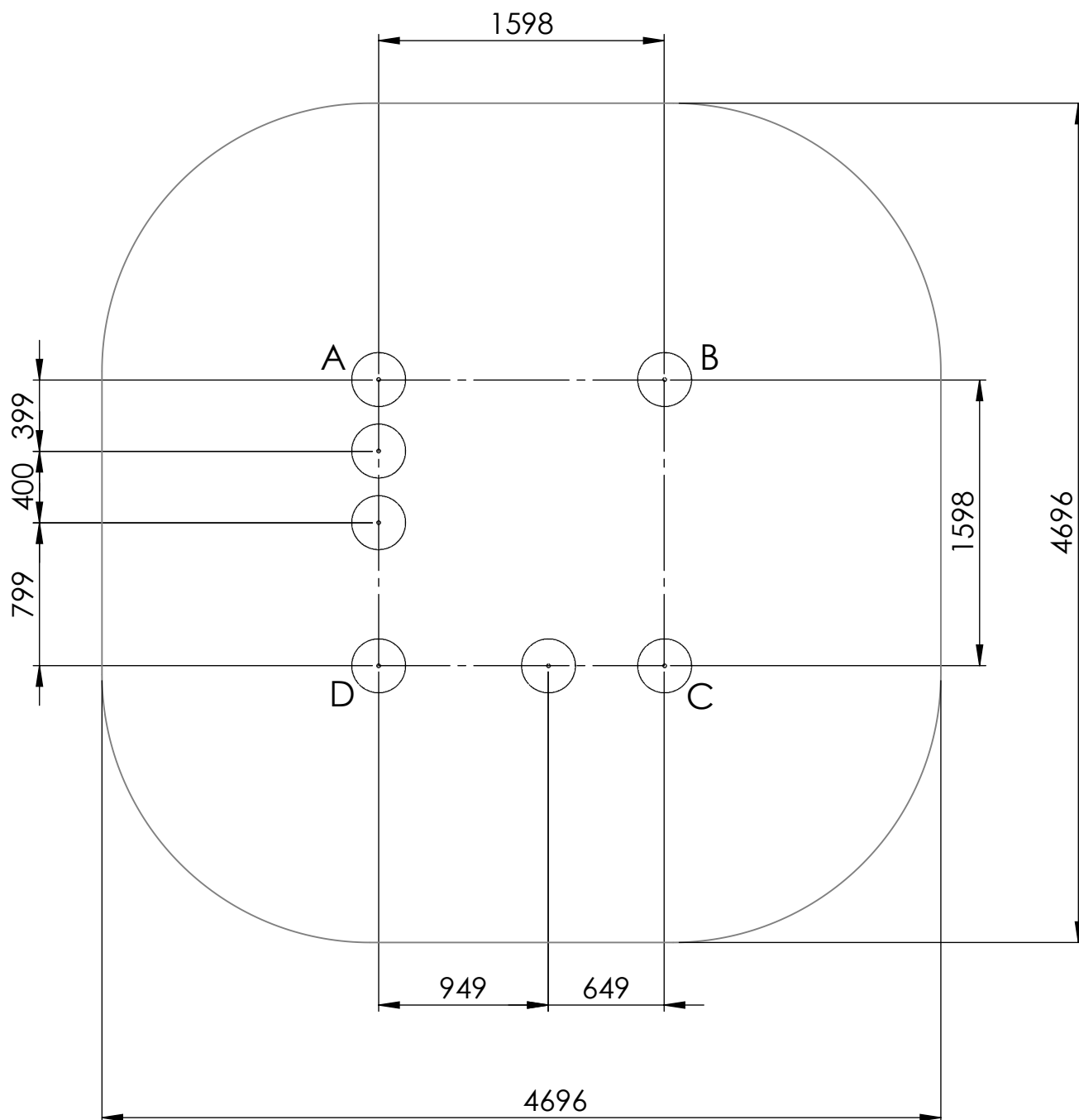
A

B

C

D

E



UNLESS OTHERWISE SPECIFIED:
DIMENSIONS ARE IN MILLIMETERS
WEIGHT ARE IN KILOGRAMM

PART NUMBER / DWG NO.:

RS124

	NAME	SIGNATURE	DATE	REVISION
DRAWN	R.Fedotov		10.02.2015	
APPV'D				

DESCRIPTION:

TETRA

F



Tiptaptap OÜ

Tiptaptap OÜ
Veetorni 9,
Jüri alevik, Rae vald,
75301 Harjumaa

MATERIAL:

wood, metal, plastic

A4

WEIGHT:

SCALE: 1:35

SHEET 2 OF 8

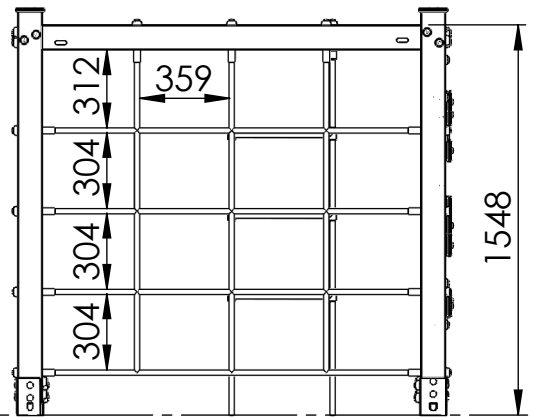
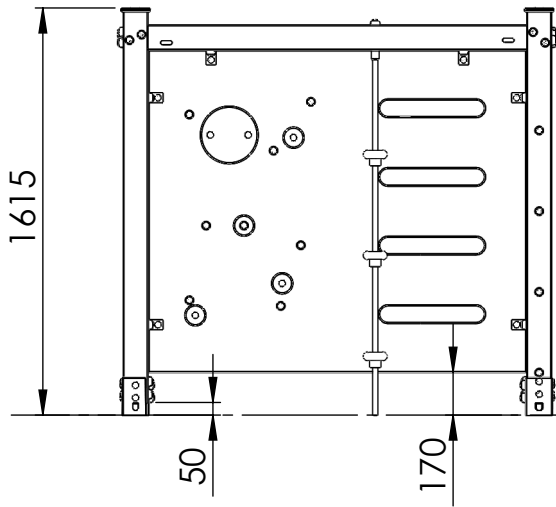
A

B

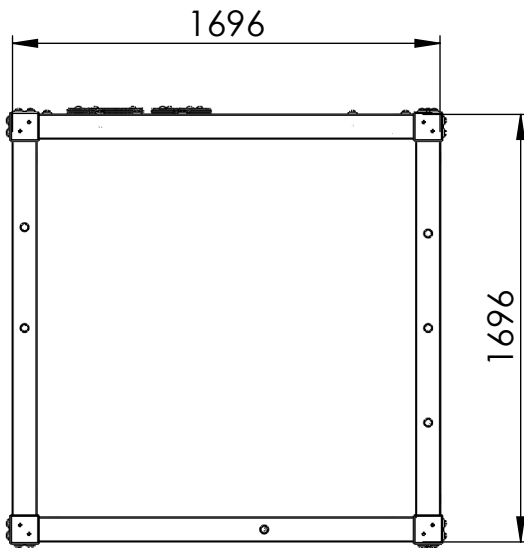
C

D

E



Ground



UNLESS OTHERWISE SPECIFIED:
 DIMENSIONS ARE IN MILLIMETERS
 WEIGHT ARE IN KILOGRAMM

PART NUMBER / DWG NO.:

RS124

	NAME	SIGNATURE	DATE	REVISION
DRAWN	R.Fedotov		10.02.2015	
APPV'D				

DESCRIPTION:

TETRA



Tiptap OÜ

Tiptap OÜ
 Veetorni 9,
 Jüri alevik, Rae vald,
 75301 Harjumaa

MATERIAL:

wood, metal, plastic

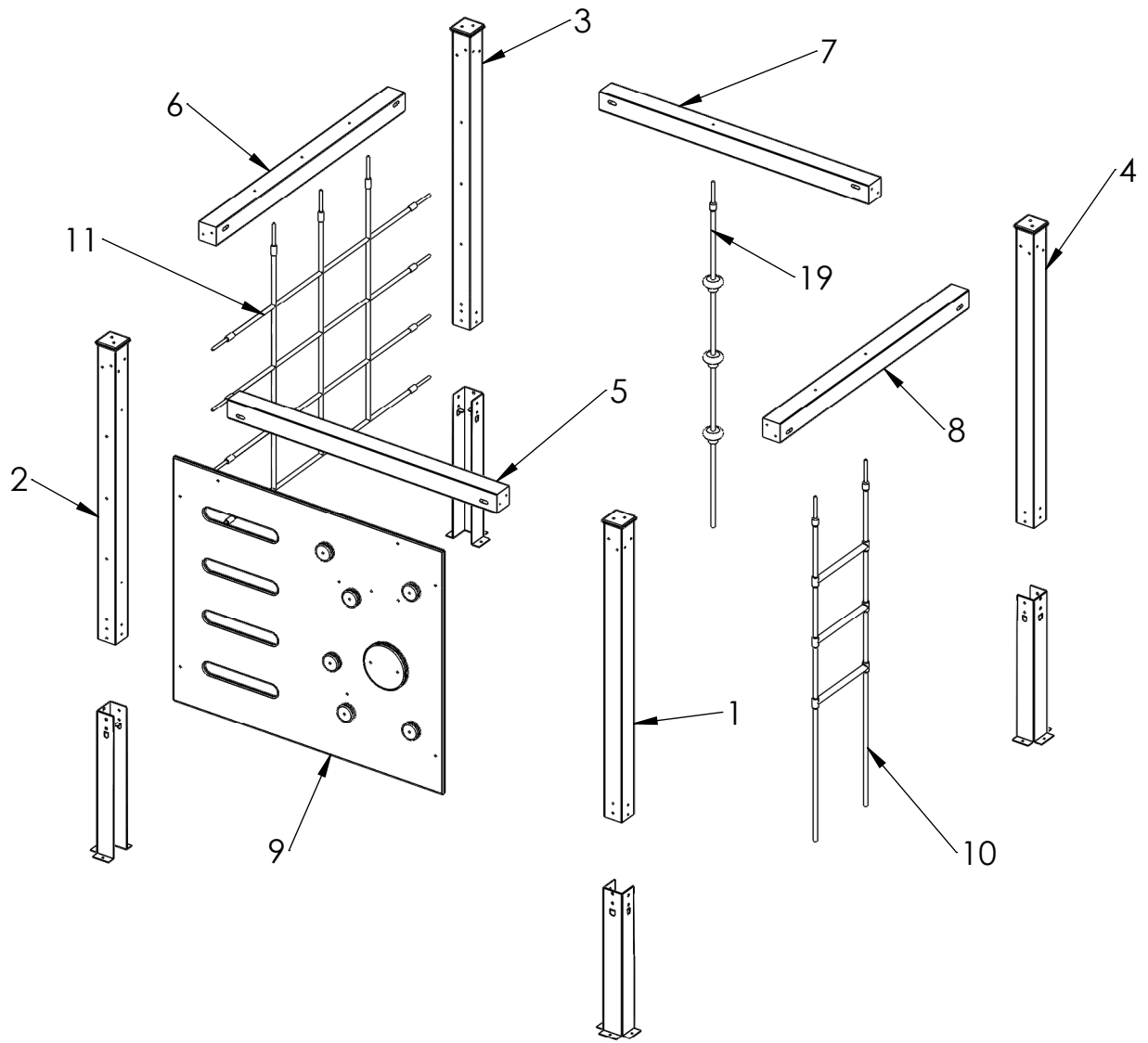
A4

WEIGHT:

SCALE: 1:30

SHEET 3 OF 8

Details



ITEM NO.	PART NUMBER	Description
1	Post A	Laminated wood 98x98x1550
2	Post B	Laminated wood 98x98x1550
3	Post C	Laminated wood 98x98x1550
4	Post D	Laminated wood 98x98x1550
5	Beam A	Laminated wood 98x98x1500
6	Beam B	Laminated wood 98x98x1500
7	Beam C	Laminated wood 98x98x1500
8	Beam D	Laminated wood 98x98x1500
9	Climbing wall	Plywood, 1500x1500mm
10	ladder	PP covered steel wire with plastic rung
11	Climbing net	PP covered steel wire
19	Climbing rope	PP covered steel wire

UNLESS OTHERWISE SPECIFIED:
DIMENSIONS ARE IN MILLIMETERS
WEIGHT ARE IN KILOGRAMM

PART NUMBER / DWG NO.:

RS124

	NAME	SIGNATURE	DATE	REVISION
DRAWN	R.Fedotov		10.02.2015	
APPV'D				

DESCRIPTION:

TETRA



Tiptap OÜ

Tiptap OÜ
Veetorni 9,
Jüri alevik, Rae vald,
75301 Harjumaa

MATERIAL:

wood, metal, plastic

A4

WEIGHT:

SCALE: 1:32

SHEET 4 OF 8

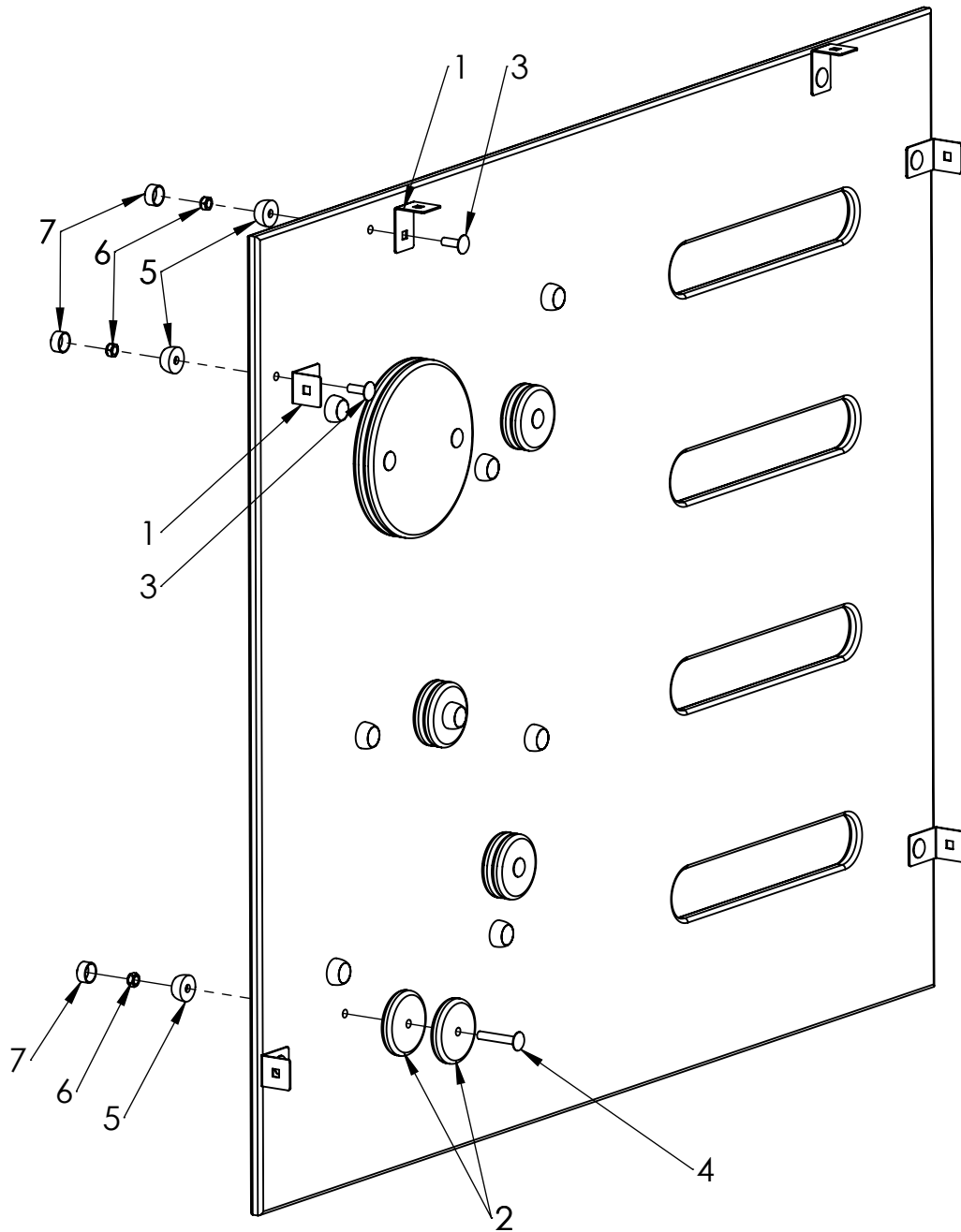
Climbingwall

A

B

C

D



E

F

ITEM NO.	PART NUMBER	Description
1	Corner 90°	Galvanized steel
2	Small disc	Pe plastic
3	bolt DIN603 M10x30	galvanized steel
4	bolt DIN603 M10x60	galvanized steel
5	nut cover M10	nut cover M10
6	nut DIN985 M10	galvanized steel
7	nut cover cap M10	PE plastic

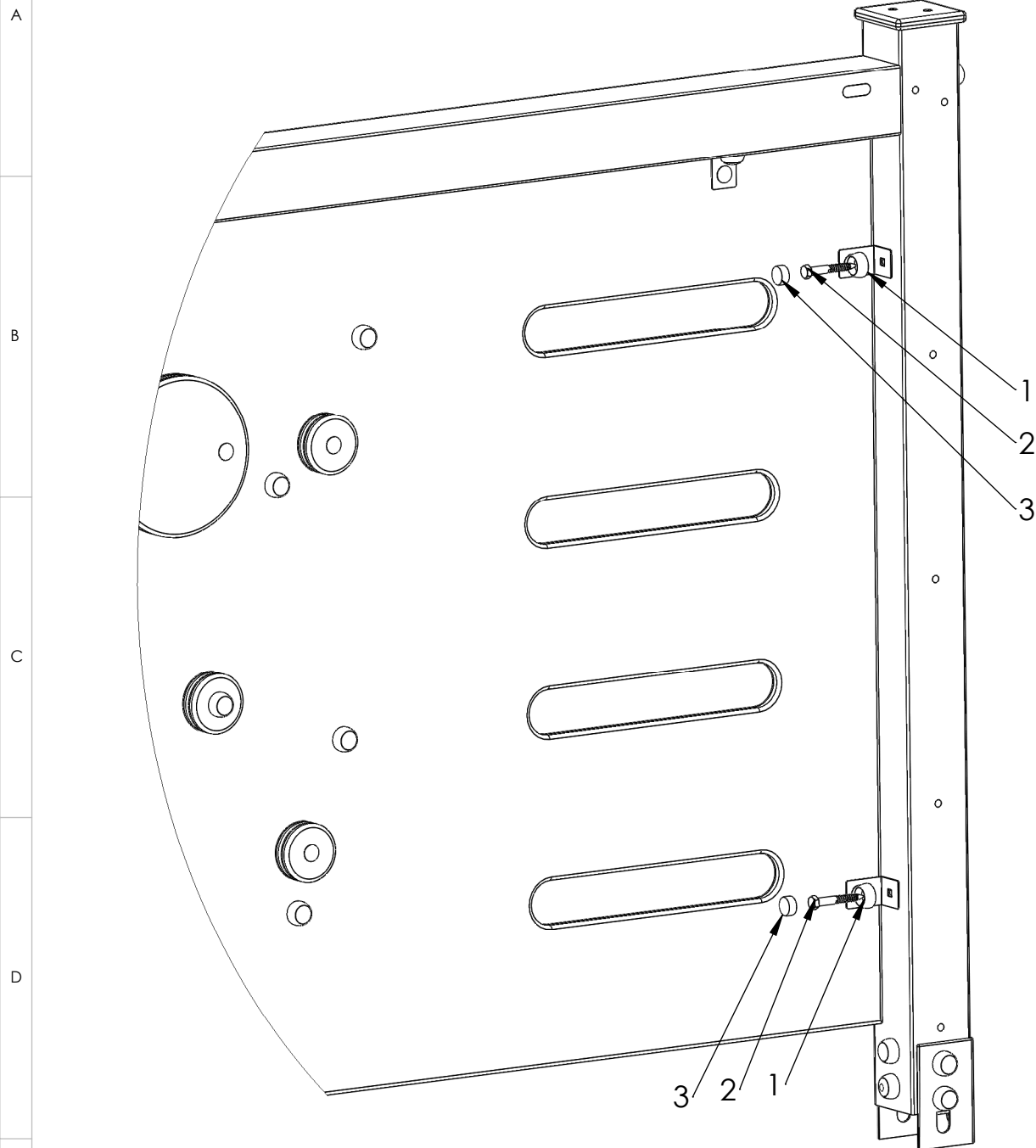
UNLESS OTHERWISE SPECIFIED: DIMENSIONS ARE IN MILLIMETERS WEIGHT ARE IN KILOGRAMM				PART NUMBER / DWG NO.:	
				RS124	
				DESCRIPTION:	
				TETRA	
				MATERIAL:	
				wood, metal, plastic	
				A4	
				WEIGHT:	
				SCALE: 1:9	
				SHEET 5 OF 8	



Tiptaptap OÜ

Tiptaptap OÜ
Veetorni 9,
Jüri alevik, Rae vald,
75301 Harjumaa

Fixing plywood



ITEM NO.	PART NUMBER	DESCRIPTION
1	nut cover M10	nut cover M10
2	wood screw DIN571 10x80	galvanized steel
3	nut cover cap M10	PE plastic

UNLESS OTHERWISE SPECIFIED:
DIMENSIONS ARE IN MILLIMETERS
WEIGHT ARE IN KILOGRAMM

PART NUMBER / DWG NO.:

RS124

	NAME	SIGNATURE	DATE	REVISION
DRAWN	R.Fedotov		10.02.2015	
APPV'D				

DESCRIPTION:

TETRA



Tiptaptap OÜ

Tiptaptap OÜ
Veetorni 9,
Jüri alevik, Rae vald,
75301 Harjumaa

MATERIAL:

wood, metal, plastic

A4

WEIGHT:

SCALE: 1:9

SHEET 6 OF 8

Fixing net and rope

A

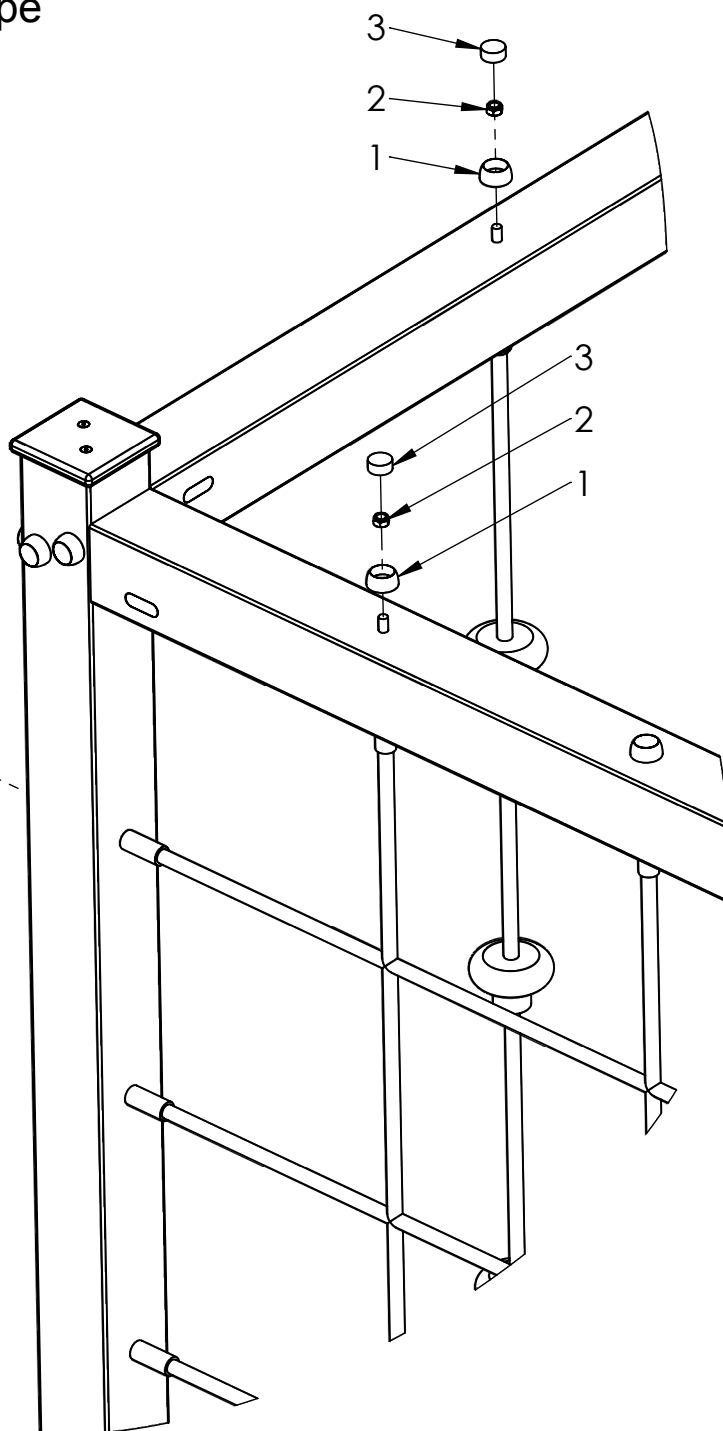
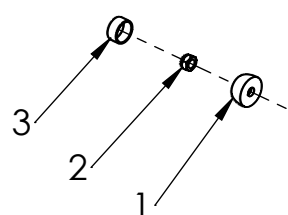
B

C

D

E

F



ITEM NO.	PART NUMBER	DESCRIPTION
1	nut cover M10	nut cover M10
2	nut DIN985 M10	galvanized steel
3	nut cover cap M10	PE plastic

UNLESS OTHERWISE SPECIFIED:
DIMENSIONS ARE IN MILLIMETERS
WEIGHT ARE IN KILOGRAMM

PART NUMBER / DWG NO.:

RS124

	NAME	SIGNATURE	DATE	REVISION
DRAWN	R.Fedotov		10.02.2015	
APPV'D				

DESCRIPTION:

TETRA

MATERIAL:

wood, metal, plastic

A4

WEIGHT:

SCALE: 1:8

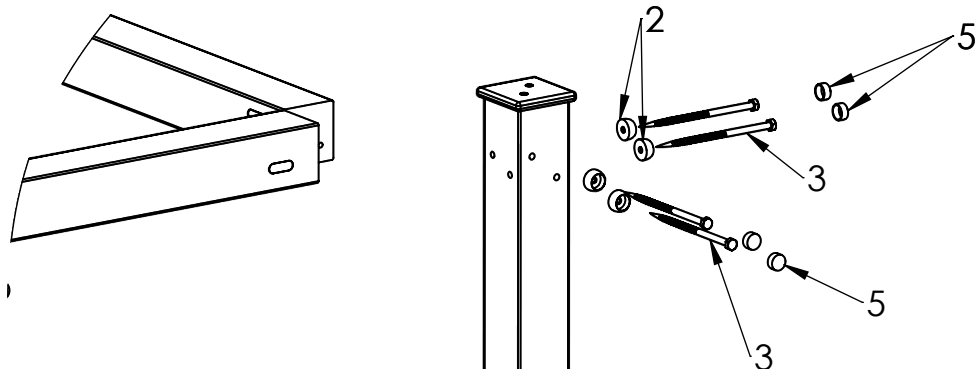
SHEET 7 OF 8



Tiptap OÜ

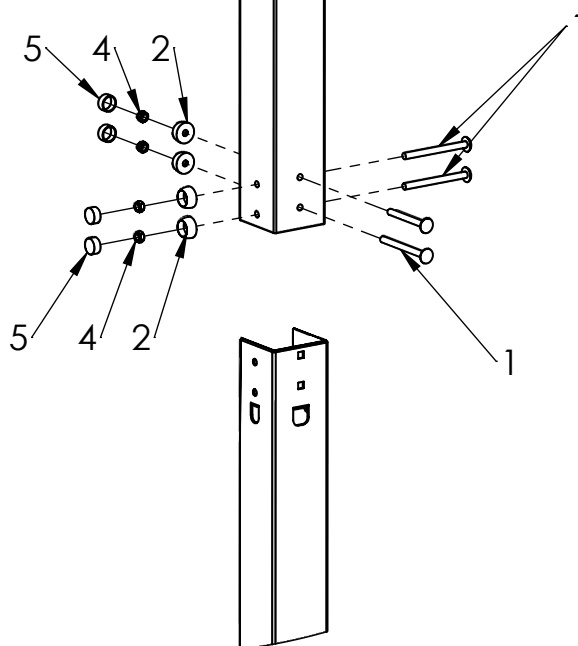
Tiptap OÜ
Veetorni 9,
Jüri alevik, Rae vald,
75301 Harjumaa

A



B

C



D

E

ITEM NO.	PART NUMBER	DESCRIPTION
1	bolt DIN603 M10x120	galvanized steel
2	nut cover M10	nut cover M10
3	wood screw DIN571 10x220	galvanized steel
4	nut DIN985 M10	galvanized steel
5	nut cover cap M10	PE plastic

F

UNLESS OTHERWISE SPECIFIED:
DIMENSIONS ARE IN MILLIMETERS
WEIGHT ARE IN KILOGRAMM

PART NUMBER / DWG NO.:

RS124

	NAME	SIGNATURE	DATE	REVISION
DRAWN	R.Fedotov		10.02.2015	
APPV'D				

DESCRIPTION:

TETRA



Tiptiptap OÜ

Tiptiptap OÜ
Veetorni 9,
Jüri alevik, Rae vald,
75301 Harjumaa

MATERIAL:

wood, metal, plastic

A4

WEIGHT:

SCALE: 1:12

SHEET 8 OF 8