

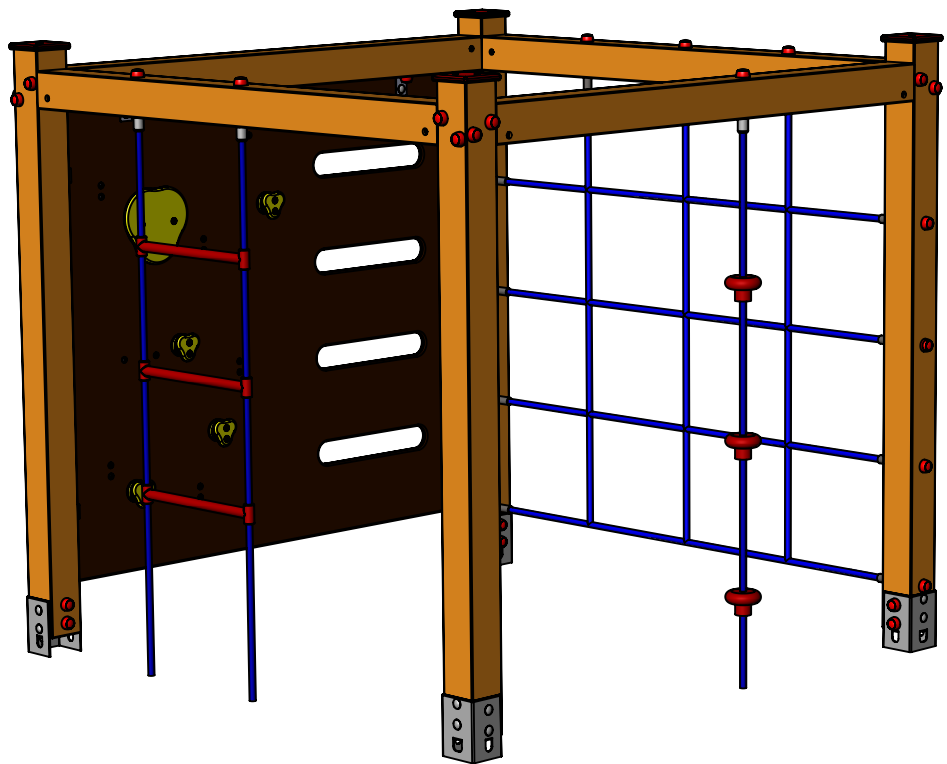
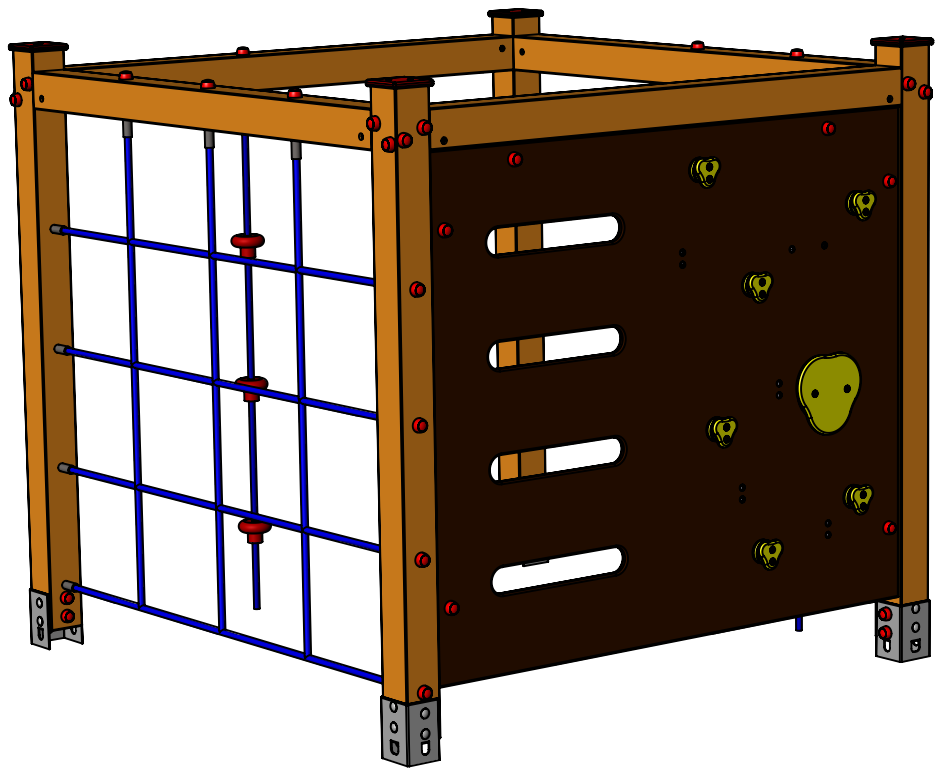
A

B

C

D

E



UNLESS OTHERWISE SPECIFIED:  
 DIMENSIONS ARE IN MILLIMETERS  
 WEIGHT ARE IN KILOGRAMM

PART NUMBER / DWG NO.:

RS124

	NAME	SIGNATURE	DATE	REVISION
DRAWN	R.Fedotov		2.06.2015	
APPV'D				

DESCRIPTION:

TETRA

F



**Tiptap** OÜ

Tiptiptap OÜ  
 Veetorni 9,  
 Jüri alevik, Rae vald,  
 75301 Harjumaa

MATERIAL:

wood, metal, plastic

A4

WEIGHT:

SCALE: 1:17

SHEET 1 OF 8

# Foundation and safety area

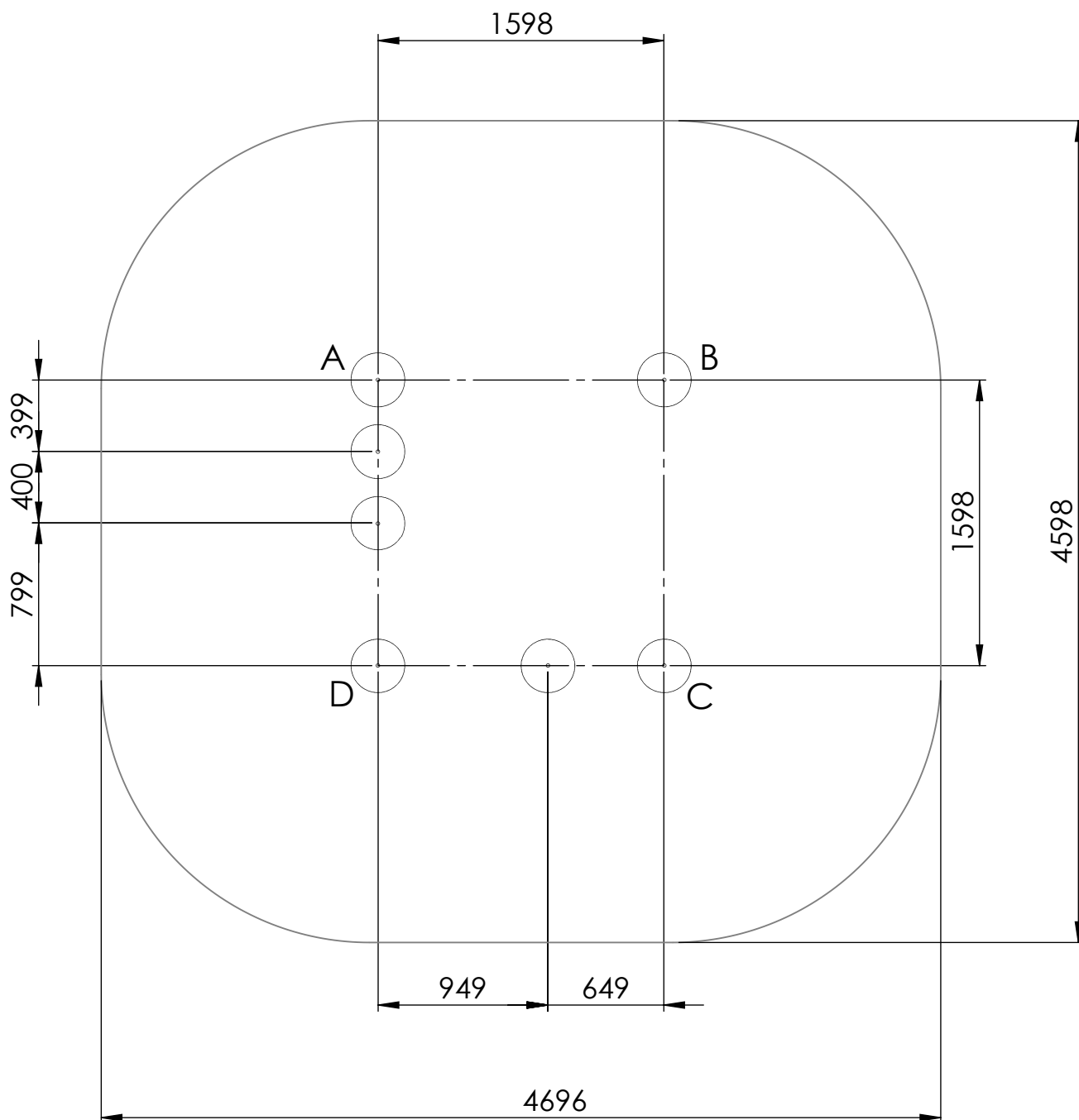
A

B

C

D

E



UNLESS OTHERWISE SPECIFIED:  
DIMENSIONS ARE IN MILLIMETERS  
WEIGHT ARE IN KILOGRAMM

PART NUMBER / DWG NO.:

RS124

	NAME	SIGNATURE	DATE	REVISION
DRAWN	R.Fedotov		2.06.2015	
APPV'D				

DESCRIPTION:

TETRA

F



**Tiptaptap** OÜ

Tiptaptap OÜ  
Veetorni 9,  
Jüri alevik, Rae vald,  
75301 Harjumaa

MATERIAL:

wood, metal, plastic

A4

WEIGHT:

SCALE: 1:35

SHEET 2 OF 8

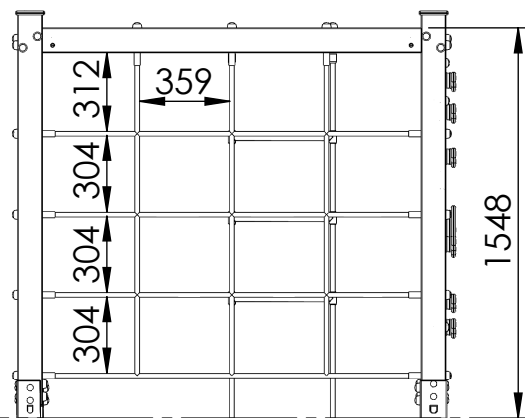
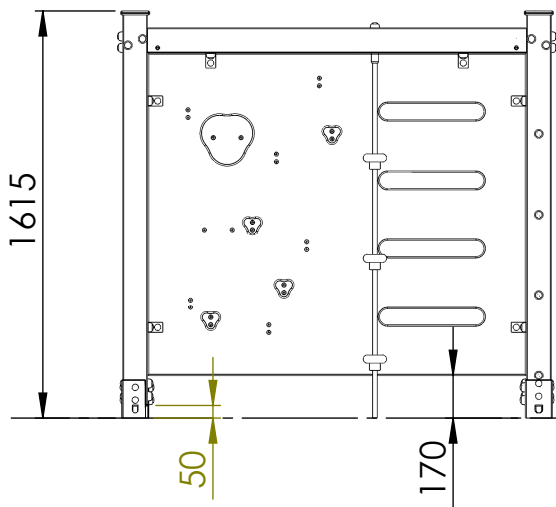
A

B

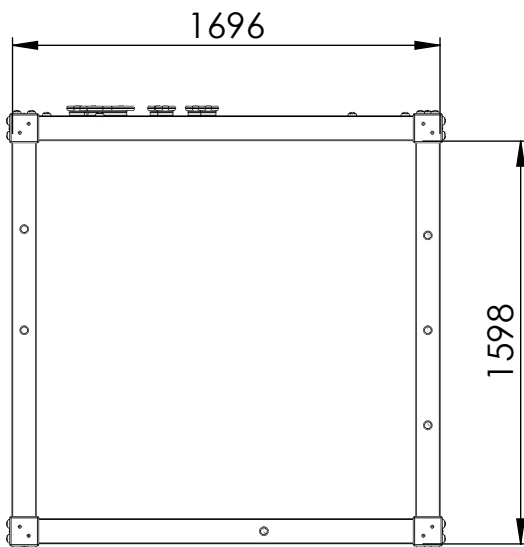
C

D

E



Ground



UNLESS OTHERWISE SPECIFIED:  
 DIMENSIONS ARE IN MILLIMETERS  
 WEIGHT ARE IN KILOGRAMM

PART NUMBER / DWG NO.:

RS124

	NAME	SIGNATURE	DATE	REVISION
DRAWN	R.Fedotov		2.06.2015	
APPV'D				

DESCRIPTION:

TETRA



**Tiptap** OÜ

Tiptap OÜ  
 Veetorni 9,  
 Jüri alevik, Rae vald,  
 75301 Harjumaa

MATERIAL:

wood, metal, plastic

A4

WEIGHT:

SCALE: 1:30

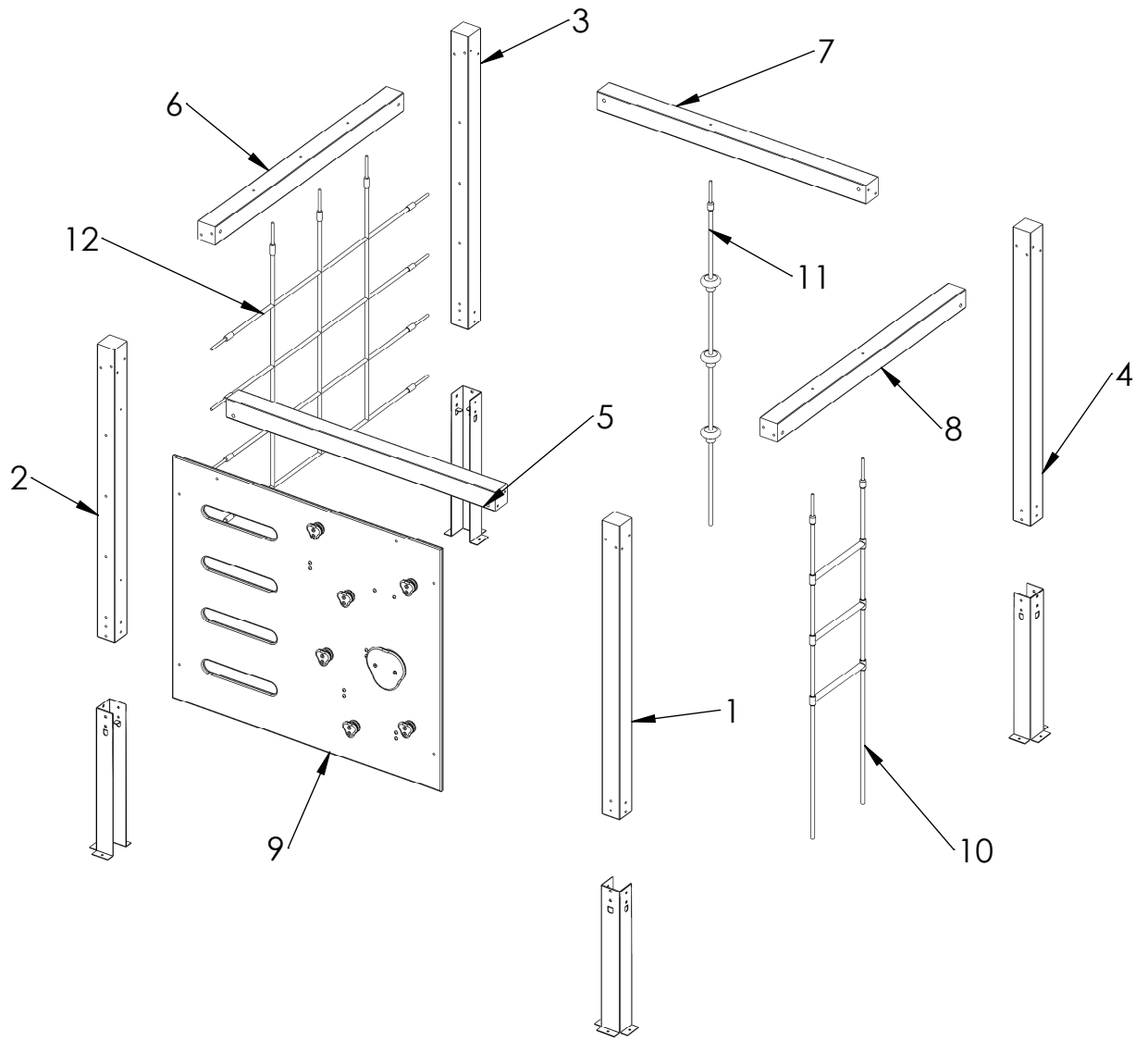
SHEET 3 OF 8

# Details

A

B

C



D

E

F

ITEM NO.	PART NUMBER	Description
1	Post A	Laminated wood 98x98x1550
2	Post B	Laminated wood 98x98x1550
3	Post C	Laminated wood 98x98x1550
4	Post D	Laminated wood 98x98x1550
5	Beam A	Laminated wood 98x98x1500
6	Beam B	Laminated wood 98x98x1500
7	Beam C	Laminated wood 98x98x1500
8	Beam D	Laminated wood 98x98x1500
9	Climbing wall	Plywood, 1500x1500mm
10	ladder	PP covered steel wire with plastic rung
11	Climbing rope	PP covered steel wire
12	Climbing net	PP covered steel wire

UNLESS OTHERWISE SPECIFIED: DIMENSIONS ARE IN MILLIMETERS WEIGHT ARE IN KILOGRAMM				
NAME	SIGNATURE	DATE	REVISION	
DRAWN R.Fedotov		2.06.2015		
APPV'D				

PART NUMBER / DWG NO.:	RS124
DESCRIPTION:	TETRA



**Tiptiptap** OÜ  
Veetorni 9,  
Jüri alevik, Rae vald,  
75301 Harjumaa

MATERIAL:	wood, metal, plastic	A4
WEIGHT:	SCALE: 1:32	SHEET 4 OF 8

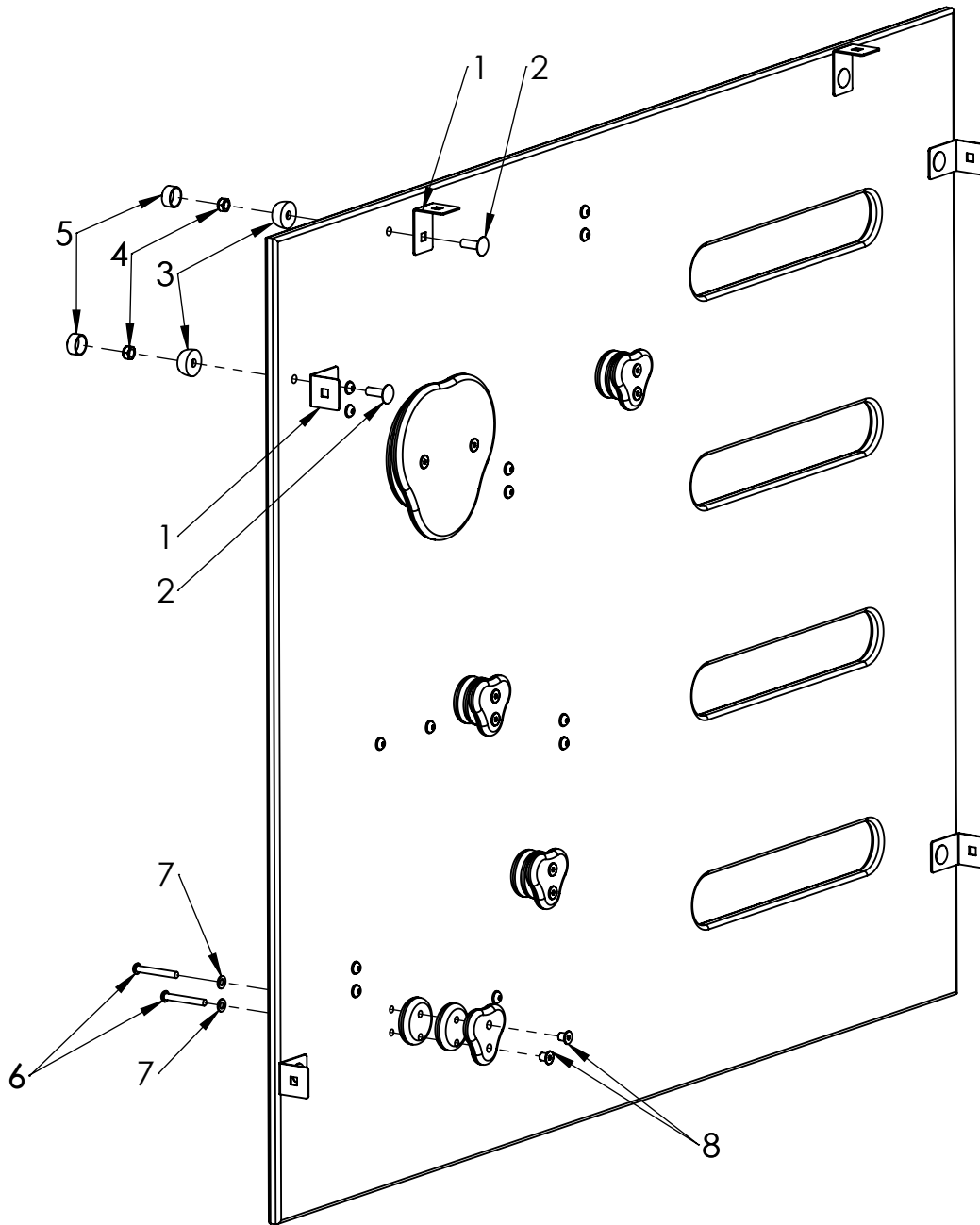
# Climbingwall

A

B

C

D



E

F

ITEM NO.	PART NUMBER	Description
1	Corner 90°	Galvanized steel
2	bolt DIN603 M10x30	galvanized steel
3	nut cover M10	nut cover M10
4	nut DIN985 M10	galvanized steel
5	nut cover cap M10	PE plastic
6	metal screw DIN 7380 M8x60	galvanized steel
7	washer M8	galvanized steel
8	barrel nut M8	galvanized steel

UNLESS OTHERWISE SPECIFIED: DIMENSIONS ARE IN MILLIMETERS WEIGHT ARE IN KILOGRAMM				
	NAME	SIGNATURE	DATE	REVISION
DRAWN	R.Fedotov		2.06.2015	
APPV'D				

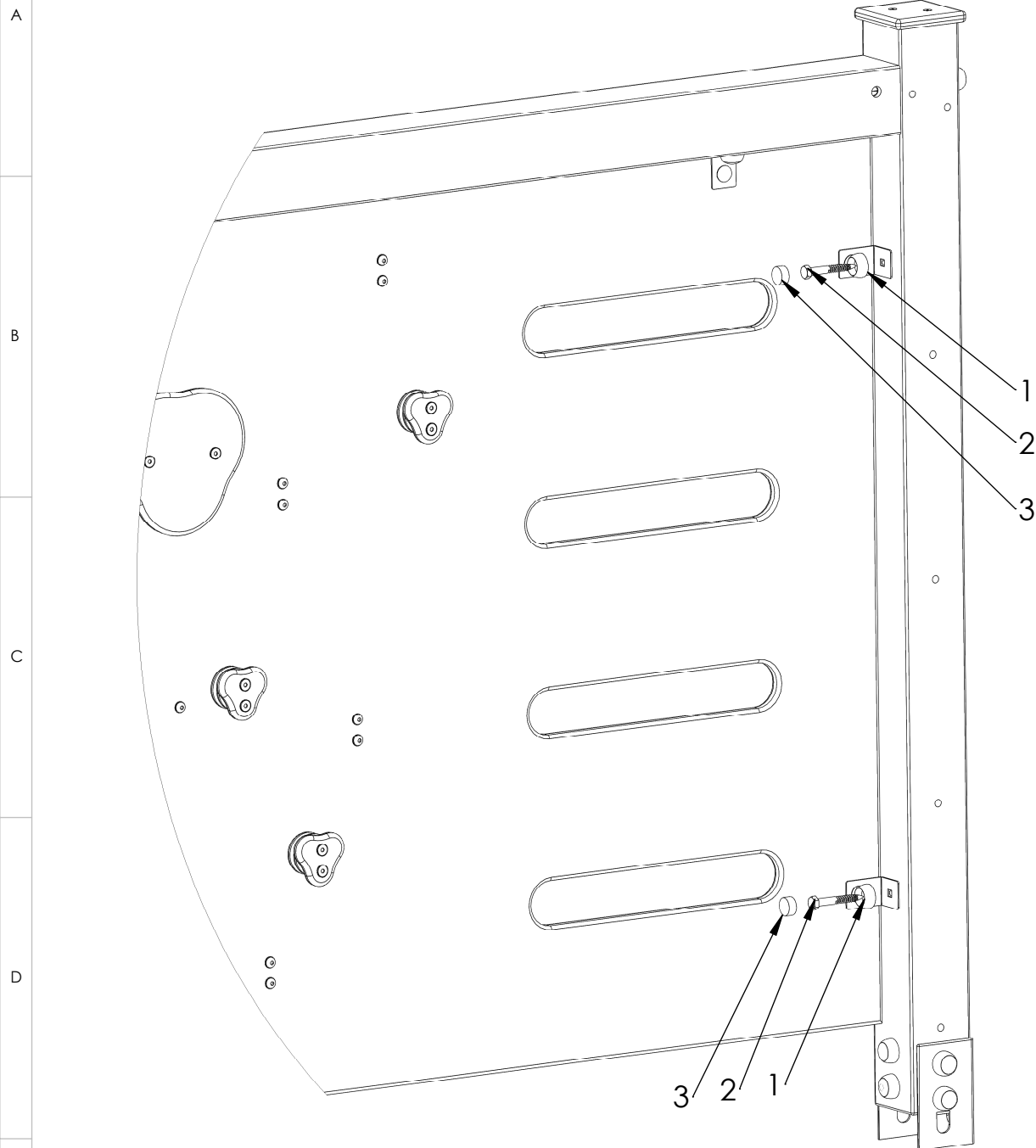
PART NUMBER / DWG NO.:	RS124
DESCRIPTION:	TETRA



**Tiptiptap** OÜ  
 Veetorni 9,  
 Jüri alevik, Rae vald,  
 75301 Harjumaa

MATERIAL:	wood, metal, plastic	A4
WEIGHT:	SCALE: 1:9	SHEET 5 OF 8

# Fixing plywood



ITEM NO.	PART NUMBER	DESCRIPTION
1	nut cover M10	nut cover M10
2	wood screw DIN571 10x80	galvanized steel
3	nut cover cap M10	PE plastic

UNLESS OTHERWISE SPECIFIED:  
DIMENSIONS ARE IN MILLIMETERS  
WEIGHT ARE IN KILOGRAMM

PART NUMBER / DWG NO.:

RS124

	NAME	SIGNATURE	DATE	REVISION
DRAWN	R.Fedotov		2.06.2015	
APPV'D				

DESCRIPTION:

TETRA



**Tiptiptap** OÜ

Tiptiptap OÜ  
Veetorni 9,  
Jüri alevik, Rae vald,  
75301 Harjumaa

MATERIAL:

wood, metal, plastic

A4

WEIGHT:

SCALE: 1:9

SHEET 6 OF 8

# Fixing net and rope

A

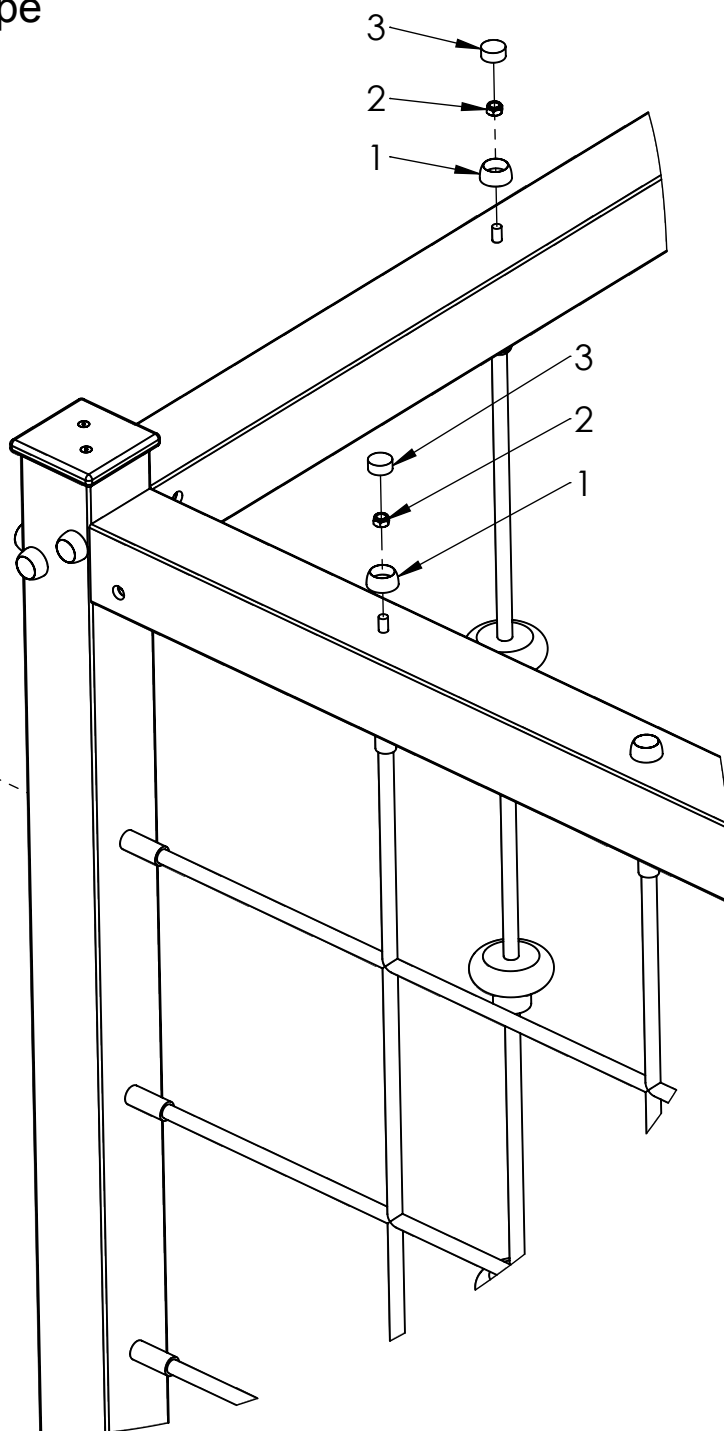
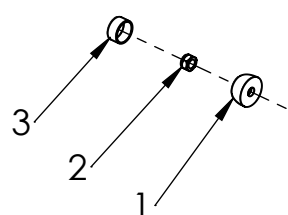
B

C

D

E

F



ITEM NO.	PART NUMBER	DESCRIPTION
1	nut cover M10	nut cover M10
2	nut DIN985 M10	galvanized steel
3	nut cover cap M10	PE plastic

UNLESS OTHERWISE SPECIFIED:  
DIMENSIONS ARE IN MILLIMETERS  
WEIGHT ARE IN KILOGRAMM

PART NUMBER / DWG NO.:

RS124

	NAME	SIGNATURE	DATE	REVISION
DRAWN	R.Fedotov		2.06.2015	
APPV'D				

DESCRIPTION:

TETRA

MATERIAL:

wood, metal, plastic

A4

WEIGHT:

SCALE: 1:8

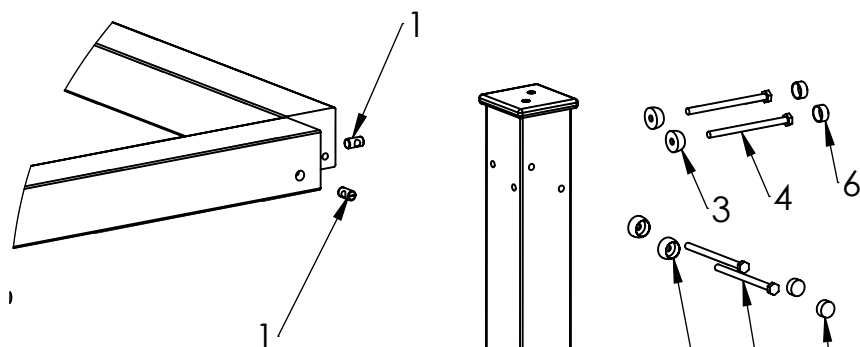
SHEET 7 OF 8



**Tiptap** OÜ

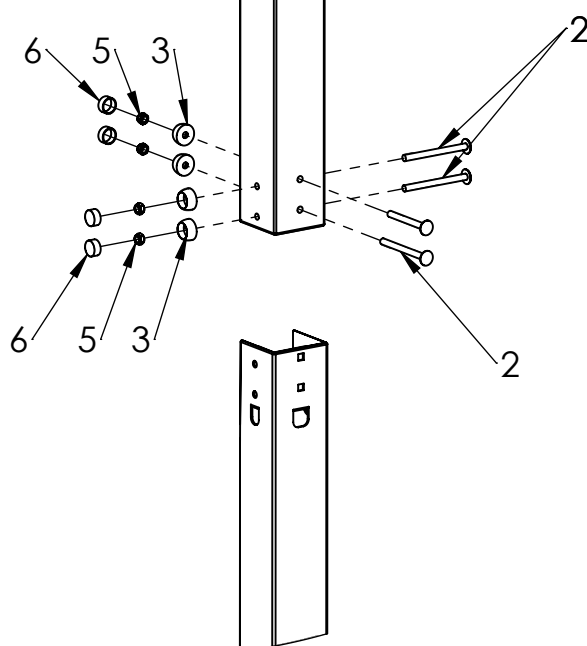
Tiptap OÜ  
Veetorni 9,  
Jüri alevik, Rae vald,  
75301 Harjumaa

A



B

C



D

E

ITEM NO.	PART NUMBER	DESCRIPTION
1	barrel nut M10	galvanised steel
2	bolt DIN603 M10x120	galvanized steel
3	nut cover M10	nut cover M10
4	bolt DIN931 M10x150	galvanized steel
5	nut DIN985 M10	galvanized steel
6	nut cover cap M10	PE plastic

F

UNLESS OTHERWISE SPECIFIED:  
DIMENSIONS ARE IN MILLIMETERS  
WEIGHT ARE IN KILOGRAMM

PART NUMBER / DWG NO.:

RS124

	NAME	SIGNATURE	DATE	REVISION
DRAWN	R.Fedotov		2.06.2015	
APPV'D				

DESCRIPTION:

TETRA



**Tiptiptap** OÜ

Tiptiptap OÜ  
Veetorni 9,  
Jüri alevik, Rae vald,  
75301 Harjumaa

MATERIAL:

wood, metal, plastic

A4

WEIGHT:

SCALE: 1:12

SHEET 8 OF 8