

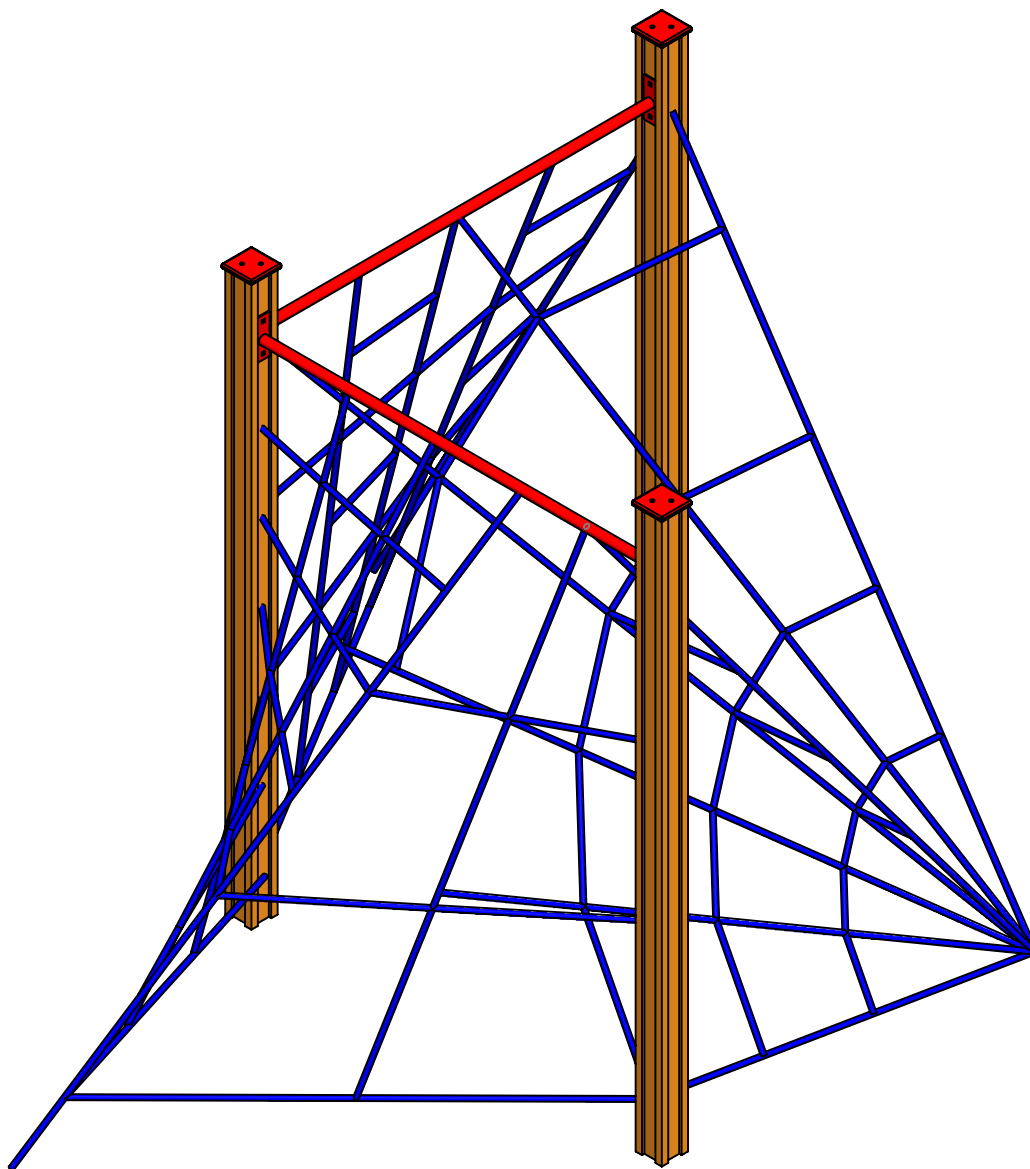
A

B

C

D

E



UNLESS OTHERWISE SPECIFIED:
 DIMENSIONS ARE IN MILLIMETERS
 WEIGHT ARE IN KILOGRAMM

PART NUMBER / DWG NO.:

RS120

	NAME	SIGNATURE	DATE	REVISION
DRAWN	M.Rebase		9.12.2013	
APPV'D				

DESCRIPTION:

TRIANGULUM



Tiptiptap OÜ

Tiptiptap OÜ
 Veetorni 9,
 Jüri alevik, Rae vald,
 75301 Harjumaa

MATERIAL:

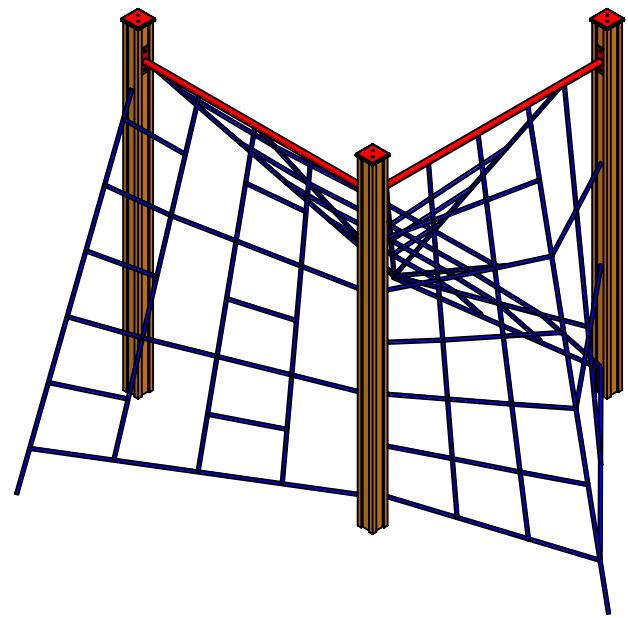
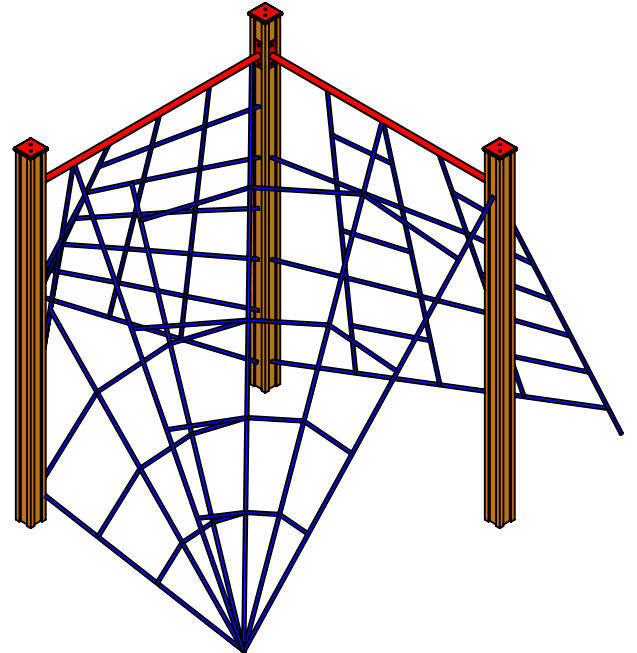
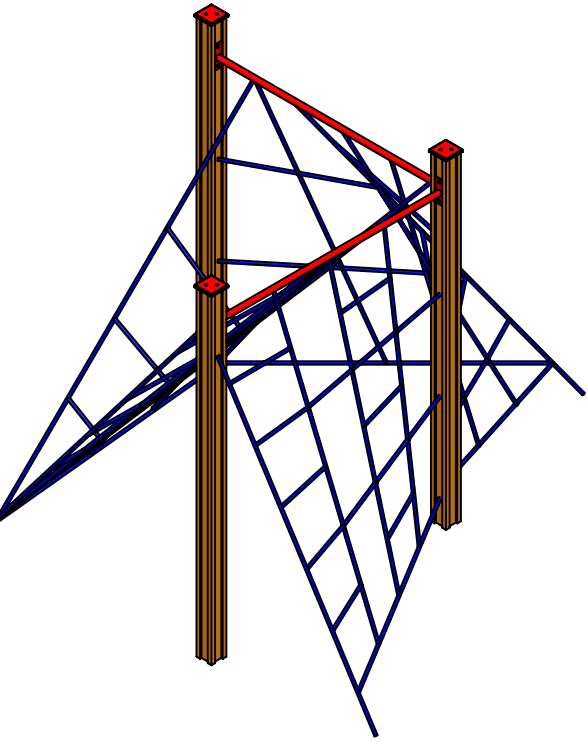
wood, metal, plastic

A4

WEIGHT:

SCALE: 1:20

SHEET 1 OF 8



A
B
C
D
E

1 2 3 4

UNLESS OTHERWISE SPECIFIED:
DIMENSIONS ARE IN MILLIMETERS
WEIGHT ARE IN KILOGRAMM

PART NUMBER / DWG NO.:
RS120

	NAME	SIGNATURE	DATE	REVISION
DRAWN	M.Rebase		9.12.2013	
APPV'D				

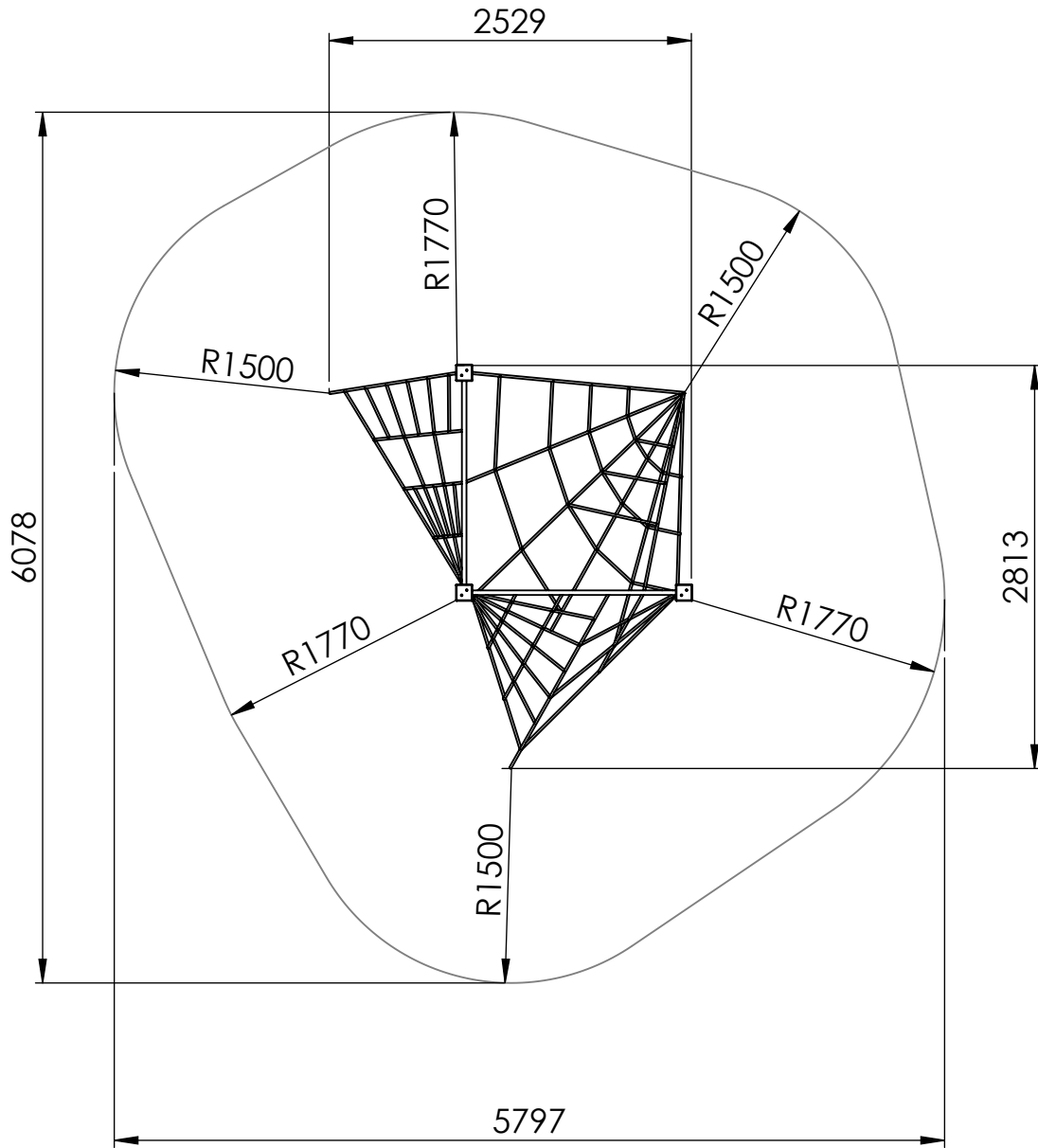
DESCRIPTION:
TRIANGULUM

Tiptiptap OÜ
Veetorni 9,
Jüri alevik, Rae vald,
75301 Harjumaa



MATERIAL:	wood, metal, plastic	A4
WEIGHT:	SCALE: 1:35	SHEET 2 OF 8

safety area



UNLESS OTHERWISE SPECIFIED:
DIMENSIONS ARE IN MILLIMETERS
WEIGHT ARE IN KILOGRAMM

PART NUMBER / DWG NO.:

RS120

	NAME	SIGNATURE	DATE	REVISION
DRAWN	M.Rebase		9.12.2013	
APPV'D				

DESCRIPTION:

TRIANGULUM



Tiptaptap OÜ

Tiptaptap OÜ
Veetorni 9,
Jüri alevik, Rae vald,
75301 Harjumaa

MATERIAL:

wood, metal, plastic

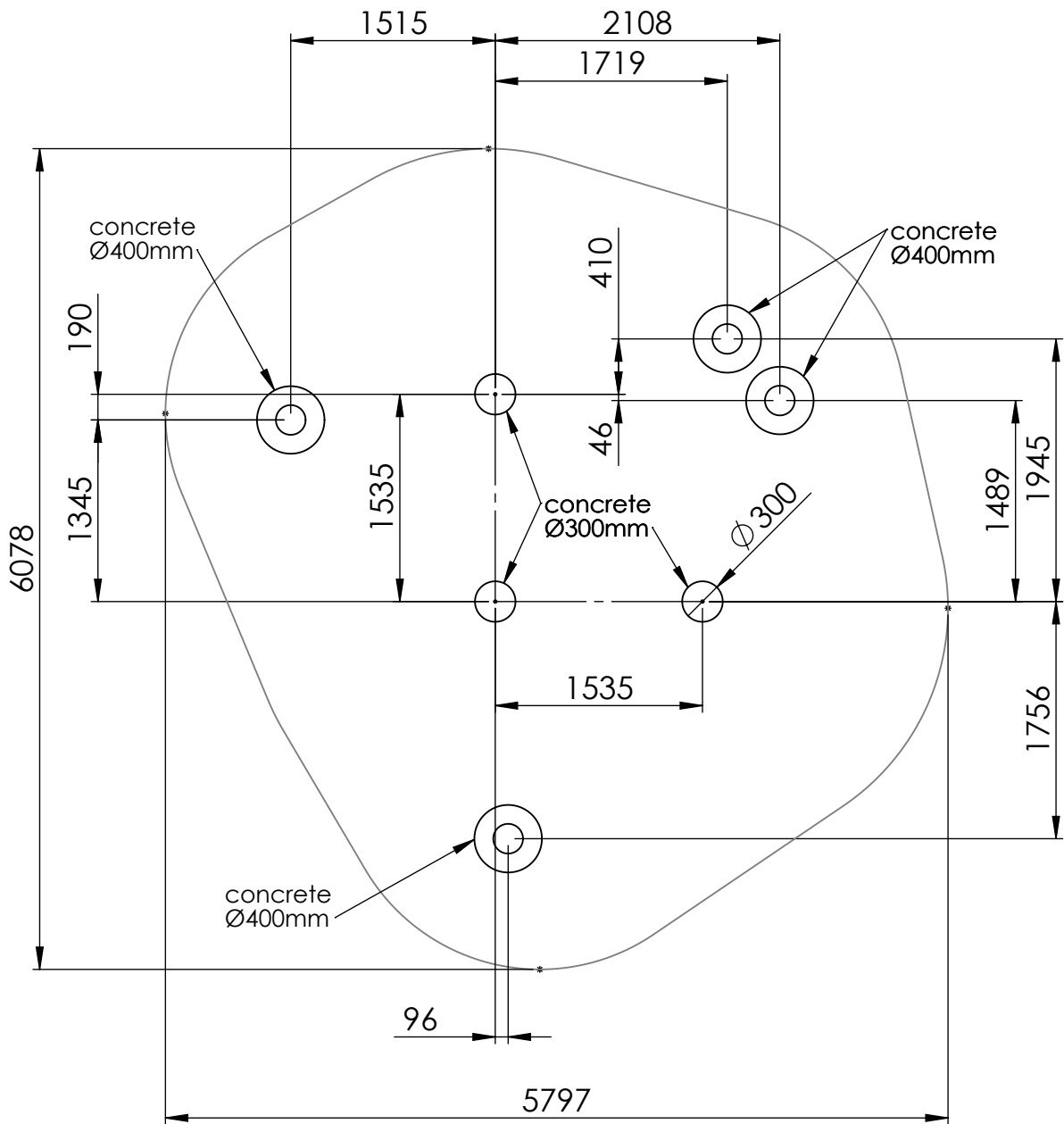
A4

WEIGHT:

SCALE: 1:50

SHEET 3 OF 8

foundation



UNLESS OTHERWISE SPECIFIED:
DIMENSIONS ARE IN MILLIMETERS
WEIGHT ARE IN KILOGRAMM

PART NUMBER / DWG NO.:

RS120

	NAME	SIGNATURE	DATE	REVISION
DRAWN	M.Rebase		9.12.2013	
APPV'D				

DESCRIPTION:

TRIANGULUM



Tiptaptap OÜ

Tiptaptap OÜ
Veetorni 9,
Jüri alevik, Rae vald,
75301 Harjumaa

MATERIAL:

wood, metal, plastic

A4

WEIGHT:

SCALE: 1:50

SHEET 4 OF 8

A

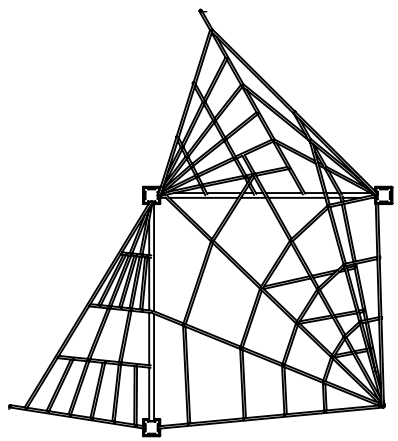
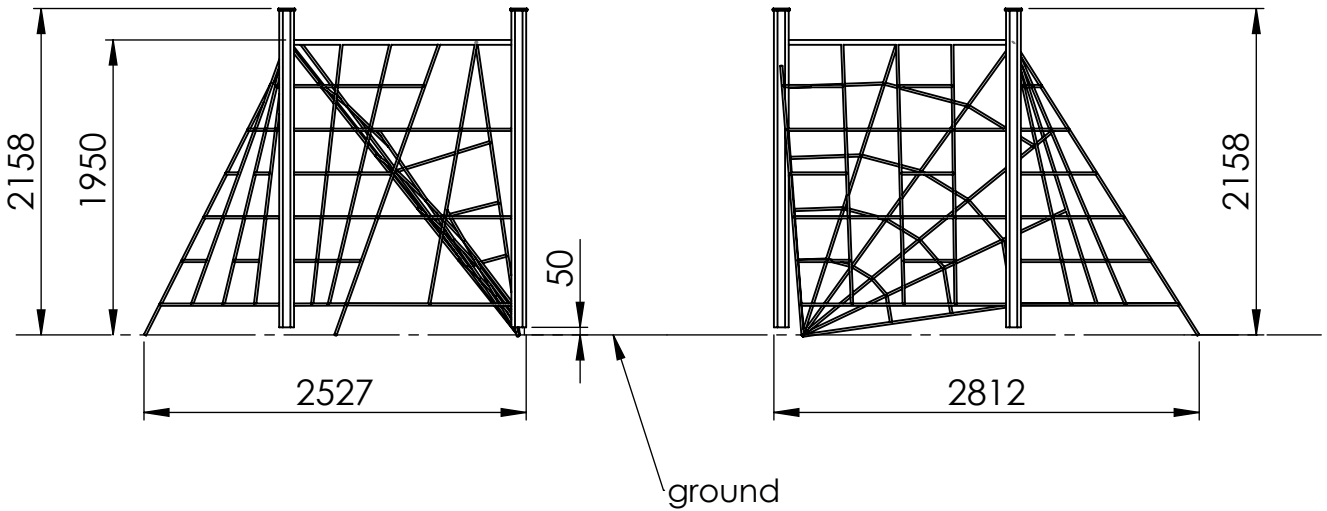
B

C

D

E

F



UNLESS OTHERWISE SPECIFIED:
 DIMENSIONS ARE IN MILLIMETERS
 WEIGHT ARE IN KILOGRAMM

PART NUMBER / DWG NO.:

RS120

	NAME	SIGNATURE	DATE	REVISION
DRAWN	M.Rebase		9.12.2013	
APPV'D				

DESCRIPTION:

TRIANGULUM



Tiptaptap OÜ

Tiptaptap OÜ
 Veetorni 9,
 Jüri alevik, Rae vald,
 75301 Harjumaa

MATERIAL:

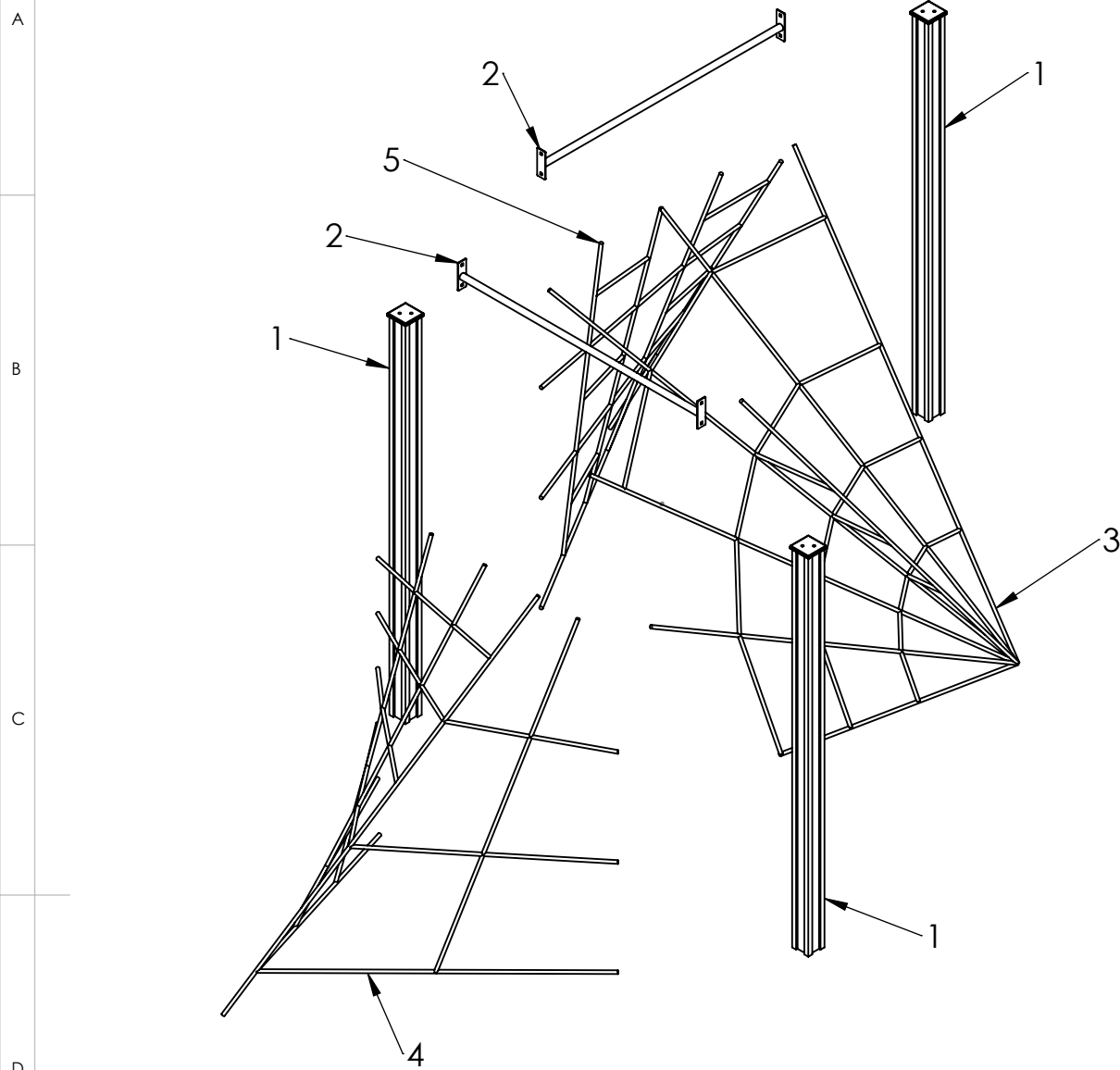
wood, metal, plastic

A4

WEIGHT:

SCALE: 1:50

SHEET 5 OF 8



ITEM NO.	PART NUMBER	DESCRIPTION	QTY.
1	Post 98x98x2100 with top cover	impregnated wood, PE plastic	3
2	beam 40x1455	painted steel	2
3	Climbing net 01	PP covered steel wire	1
4	Climbing net 02	PP covered steel wire	1
5	Climbing net 03	PP covered steel wire	1

UNLESS OTHERWISE SPECIFIED:
DIMENSIONS ARE IN MILLIMETERS
WEIGHT ARE IN KILOGRAMM

PART NUMBER / DWG NO.:

RS120

	NAME	SIGNATURE	DATE	REVISION
DRAWN	M.Rebase		9.12.2013	
APPV'D				

DESCRIPTION:

TRIANGULUM

MATERIAL:

wood, metal, plastic

A4

WEIGHT:

SCALE: 1:30

SHEET 6 OF 8



Tiptiptap OÜ

Tiptiptap OÜ
Veetorni 9,
Jüri alevik, Rae vald,
75301 Harjumaa

A

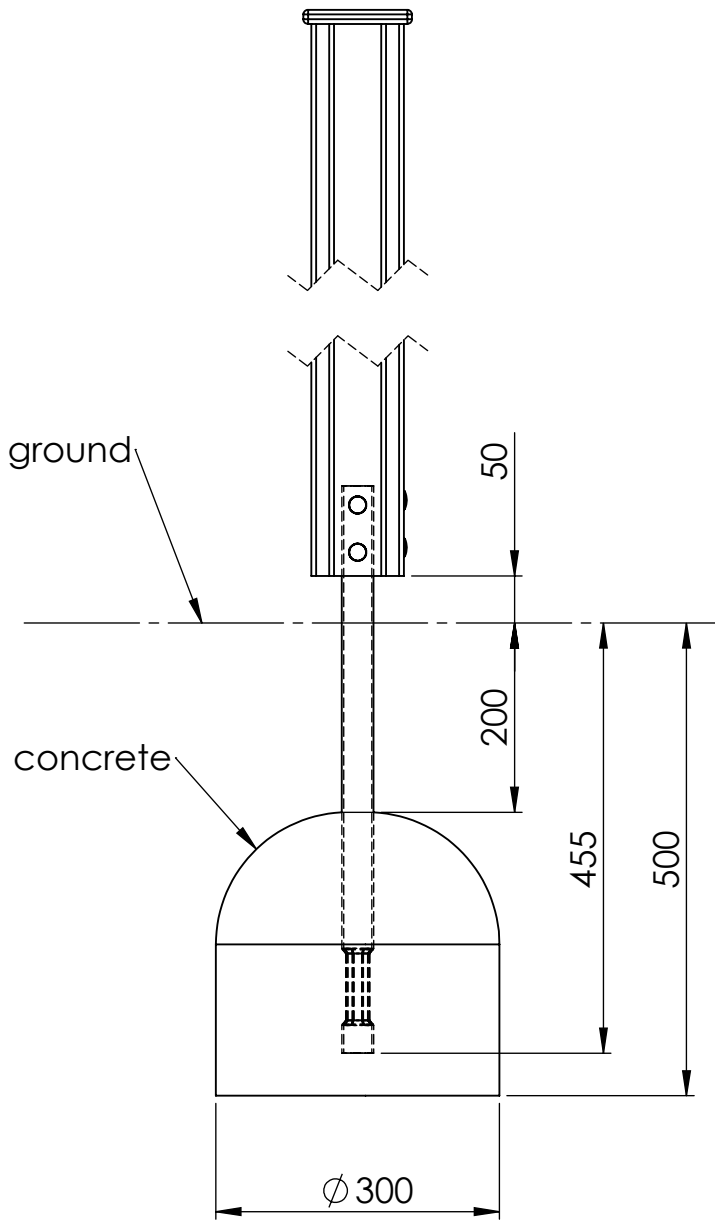
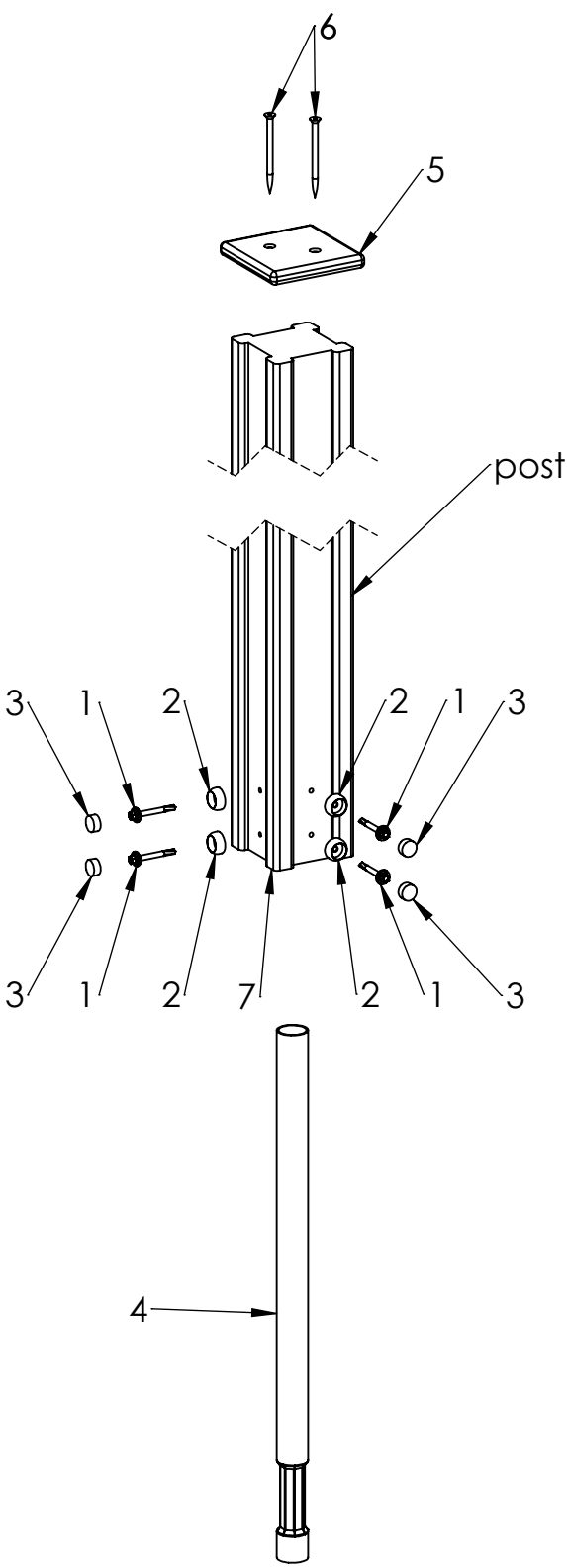
B

C

D

E

F



ITEM NO.	PART NUMBER
1	screw DIN7504K 5,5x50
2	nut cover M6
3	nut cover cap M6
4	metal ground fixing L_600
5	plastic cap 115x115
6	Woodscrew 6 x 90

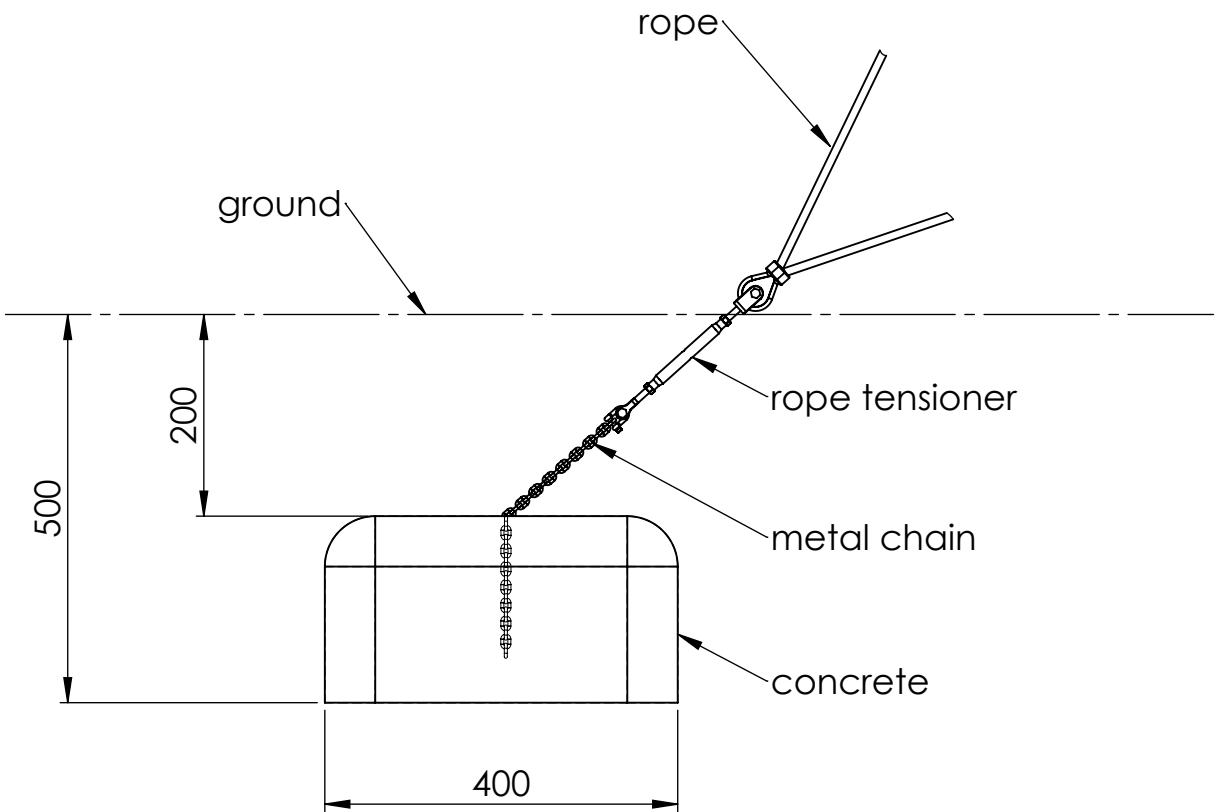
UNLESS OTHERWISE SPECIFIED: DIMENSIONS ARE IN MILLIMETERS WEIGHT ARE IN KILOGRAMM				
	NAME	SIGNATURE	DATE	REVISION
DRAWN	M.Rebase		9.12.2013	
APPV'D				

PART NUMBER / DWG NO.:	RS120
DESCRIPTION:	TRIANGULUM connecting metal ground fixing to post



Tiptiptap OÜ
 Veetorni 9,
 Jüri alevik, Rae vald,
 75301 Harjumaa

MATERIAL:	wood, metal, plastic	A4
WEIGHT:	SCALE: 1:30	SHEET 7 OF 8



UNLESS OTHERWISE SPECIFIED:
DIMENSIONS ARE IN MILLIMETERS
WEIGHT ARE IN KILOGRAMM

PART NUMBER / DWG NO.:

RS120

	NAME	SIGNATURE	DATE	REVISION
DRAWN	M.Rebase		9.12.2013	
APPV'D				

DESCRIPTION:

TRIANGULUM



Tiptaptap OÜ

Tiptaptap OÜ
Veetorni 9,
Jüri alevik, Rae vald,
75301 Harjumaa

MATERIAL:

wood, metal, plastic

A4

WEIGHT:

SCALE: 1:30

SHEET 8 OF 8