

A

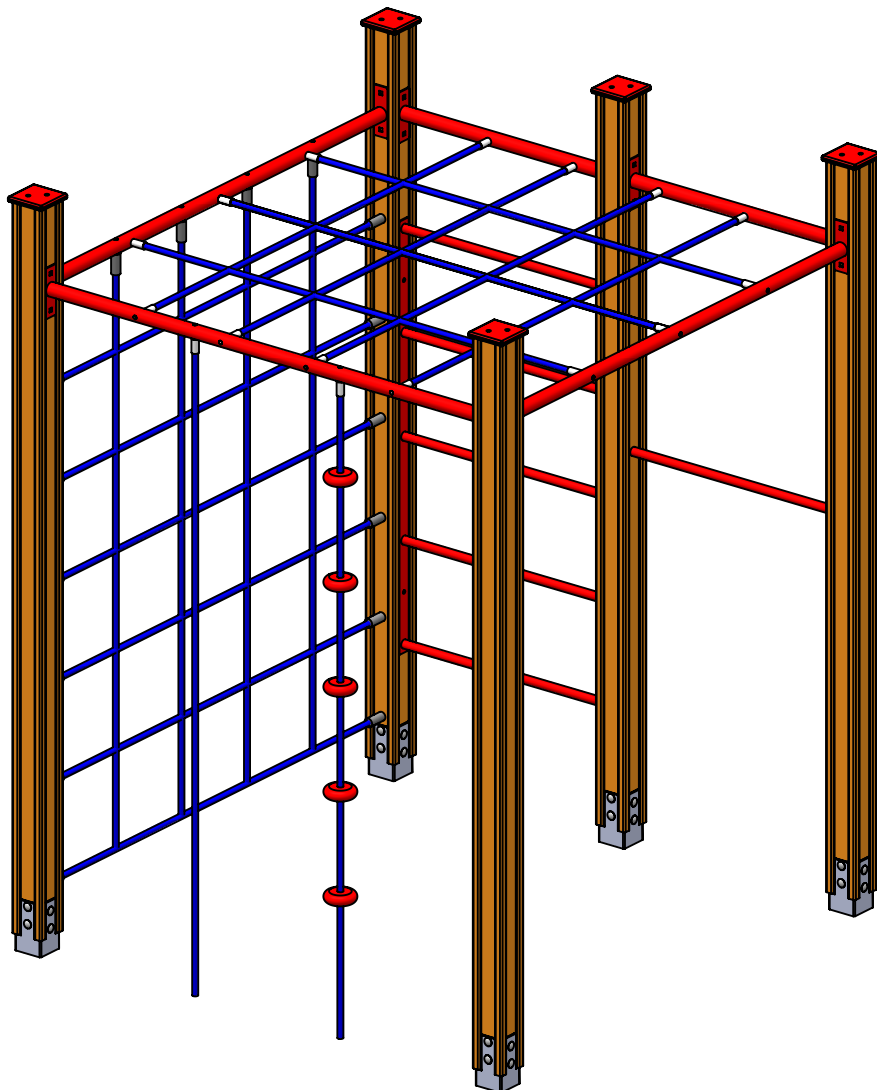
B

C

D

E

F



UNLESS OTHERWISE SPECIFIED:  
 DIMENSIONS ARE IN MILLIMETERS  
 WEIGHT ARE IN KILOGRAMM

PART NUMBER / DWG NO.:

RS116

	NAME	SIGNATURE	DATE	REVISION
DRAWN	M.Rebase		28.07.2014	
APPV'D				

DESCRIPTION:

Climbing frame MONKEY



**Tiptaptap** OÜ

Tiptaptap OÜ  
 Veetorni 9,  
 Jüri alevik, Rae vald,  
 75301 Harjumaa

MATERIAL:

wood, metal, plastic

A4

WEIGHT:

SCALE: 1:20

SHEET 1 OF 8

# safety area

A

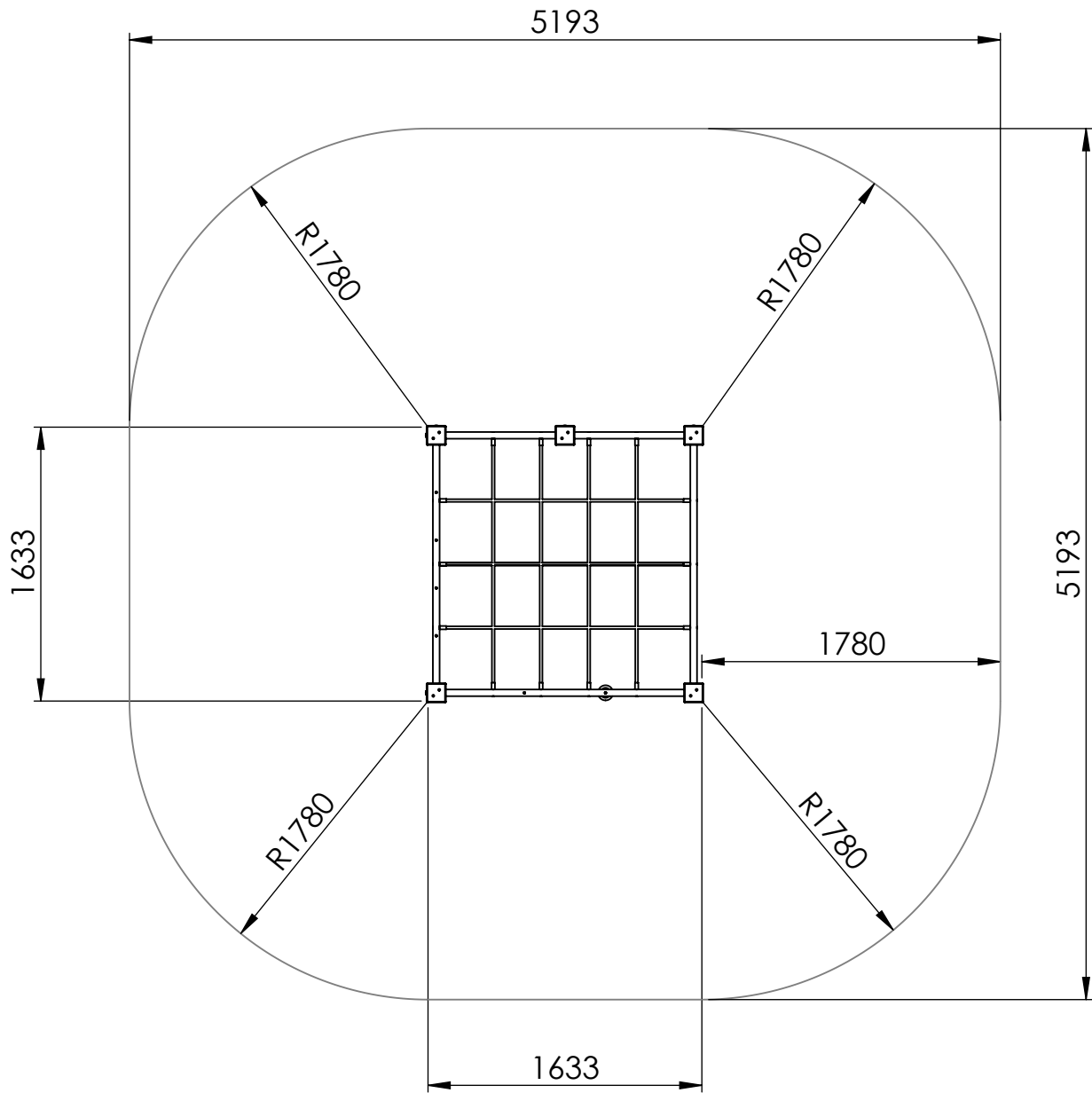
B

C

D

E

F



UNLESS OTHERWISE SPECIFIED:  
DIMENSIONS ARE IN MILLIMETERS  
WEIGHT ARE IN KILOGRAMM

PART NUMBER / DWG NO.:

RS116

	NAME	SIGNATURE	DATE	REVISION
DRAWN	M.Rebase		28.07.2014	
APPV'D				

DESCRIPTION:

Climbing frame MONKEY



**Tiptaptap** OÜ

Tiptaptap OÜ  
Veetorni 9,  
Jüri alevik, Rae vald,  
75301 Harjumaa

MATERIAL:

wood, metal, plastic

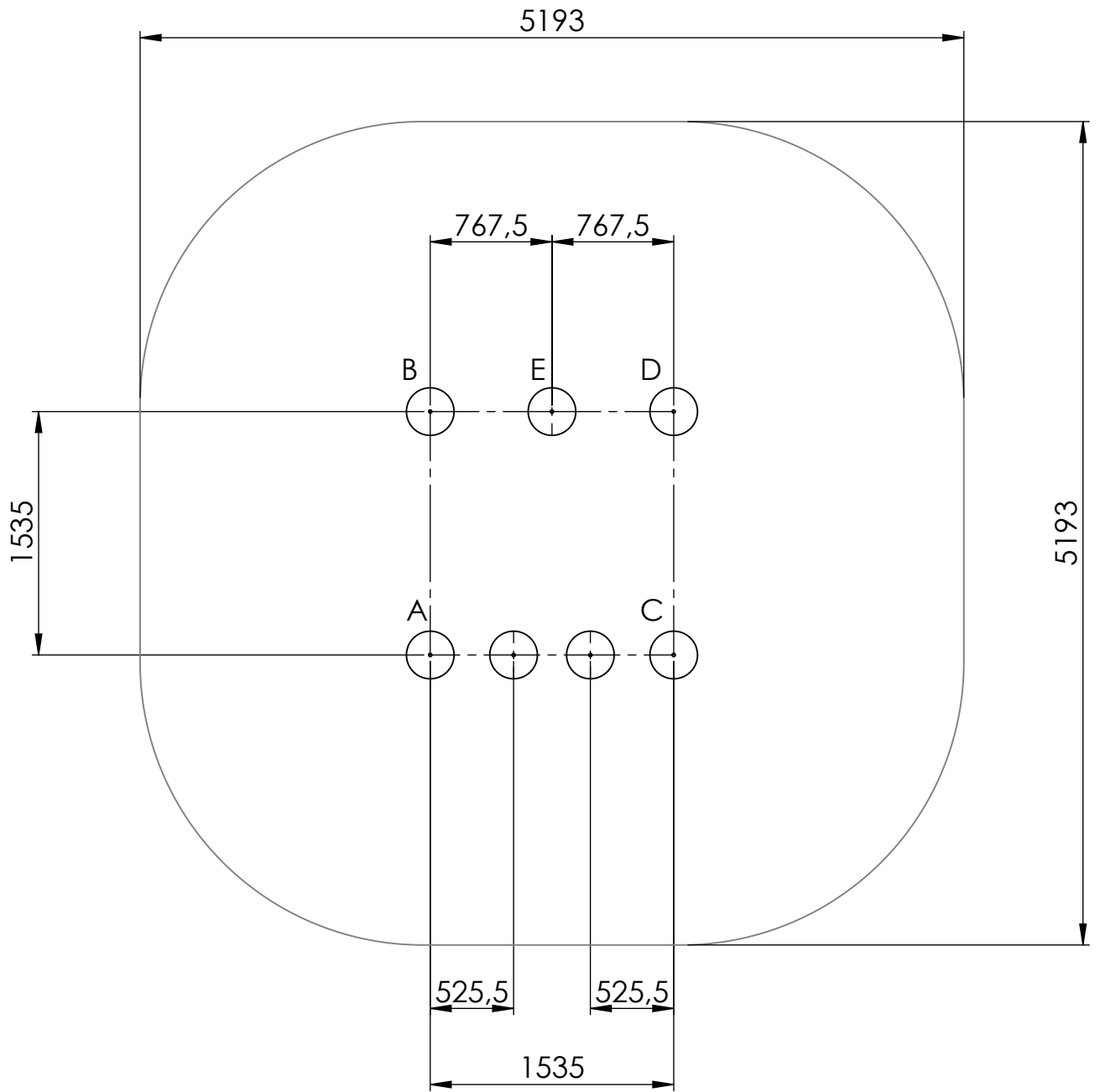
A4

WEIGHT:

SCALE: 1:40

SHEET 2 OF 8

# foundation



depth of foundation 500mm

UNLESS OTHERWISE SPECIFIED:  
DIMENSIONS ARE IN MILLIMETERS  
WEIGHT ARE IN KILOGRAMM

PART NUMBER / DWG NO.:

RS116

	NAME	SIGNATURE	DATE	REVISION
DRAWN	M.Rebase		28.07.2014	
APPV'D				

DESCRIPTION:

Climbing frame MONKEY



**Tiptaptap** OÜ

Tiptaptap OÜ  
Veetorni 9,  
Jüri alevik, Rae vald,  
75301 Harjumaa

MATERIAL:

wood, metal, plastic

A4

WEIGHT:

SCALE: 1:40

SHEET 3 OF 8

1

2

3

4

A

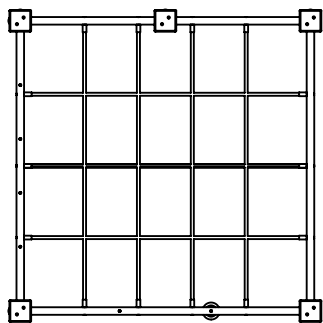
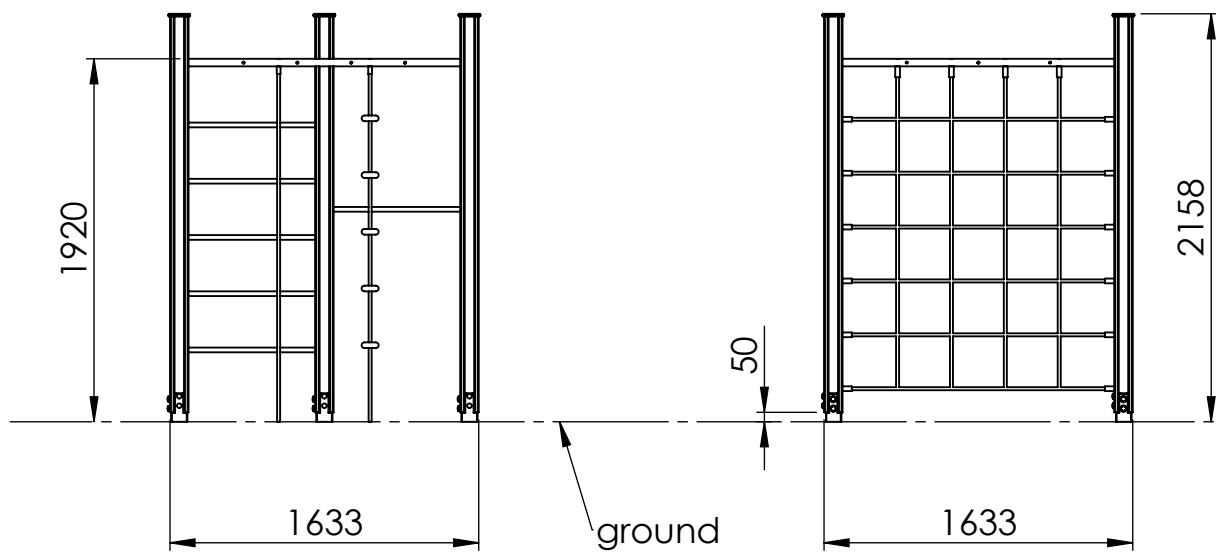
B

C

D

E

F



UNLESS OTHERWISE SPECIFIED:  
DIMENSIONS ARE IN MILLIMETERS  
WEIGHT ARE IN KILOGRAMM

PART NUMBER / DWG NO.:

RS116

	NAME	SIGNATURE	DATE	REVISION
DRAWN	M.Rebase		28.07.2014	
APPV'D				

DESCRIPTION:

Climbing frame MONKEY



**Tiptaptap** OÜ

Tiptaptap OÜ  
Veetorni 9,  
Jüri alevik, Rae vald,  
75301 Harjumaa

MATERIAL:

wood, metal, plastic

A4

WEIGHT:

SCALE: 1:40

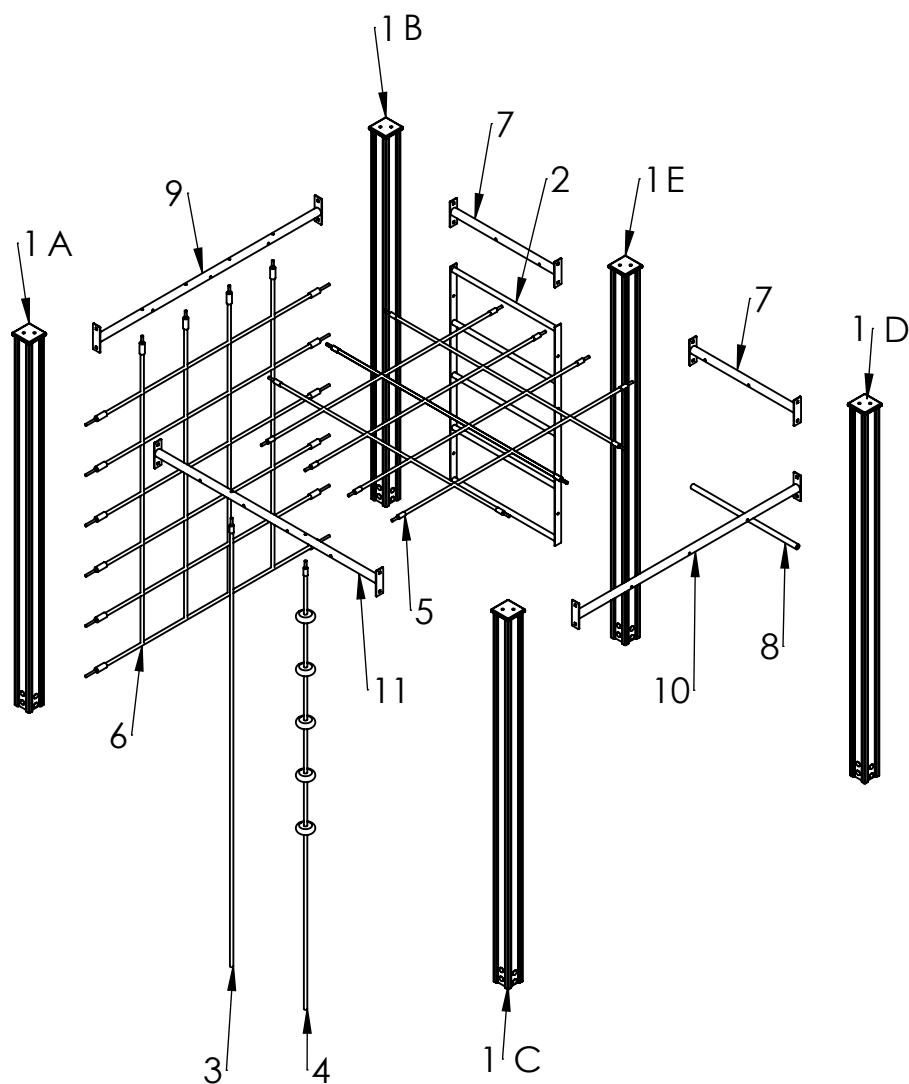
SHEET 4 OF 8

A

B

C

D



ITEM NO.	PART NUMBER	DESCRIPTION	QTY.
1	post 98x98x2100 with top cover	laminated wood, PE plastic	5
2	ladder_vertical 687x1240	painted steel	1
3	climbing rope	PP covered steel wire	1
4	climbing rope	PP covered steel wire, plastic	1
5	climbing net 1495x1495	PP covered steel wire	1
6	climbing net	PP covered steel wire	1
7	beam 40x687	painted steel	2
8	beam 25x687	painted steel	1
9	beam 40x1455 A-B	painted steel	1
10	beam 40x1455 C-D	painted steel	1
11	beam 40x1455 A-C	painted steel	1

UNLESS OTHERWISE SPECIFIED:  
DIMENSIONS ARE IN MILLIMETERS  
WEIGHT ARE IN KILOGRAMM

PART NUMBER / DWG NO.:

RS116

	NAME	SIGNATURE	DATE	REVISION
DRAWN	M.Rebase		28.07.2014	
APPV'D				

DESCRIPTION:

Climbing frame MONKEY

MATERIAL:

wood, metal, plastic

A4

WEIGHT:

SCALE: 1:35

SHEET 5 OF 8



**Tiptaptap** OÜ

Tiptaptap OÜ  
Veetorni 9,  
Jüri alevik, Rae vald,  
75301 Harjumaa

F

A

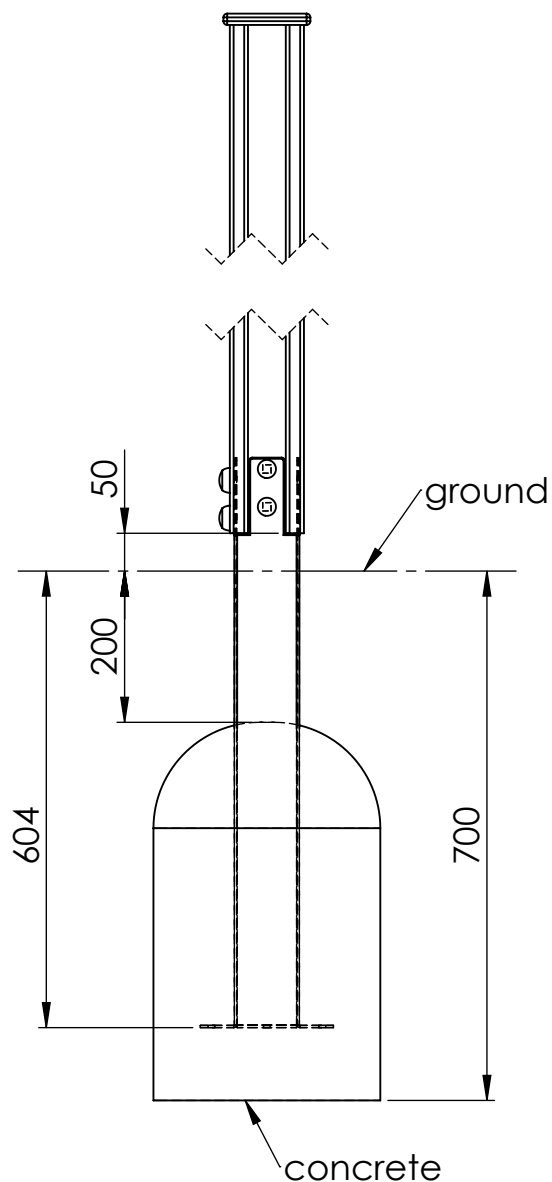
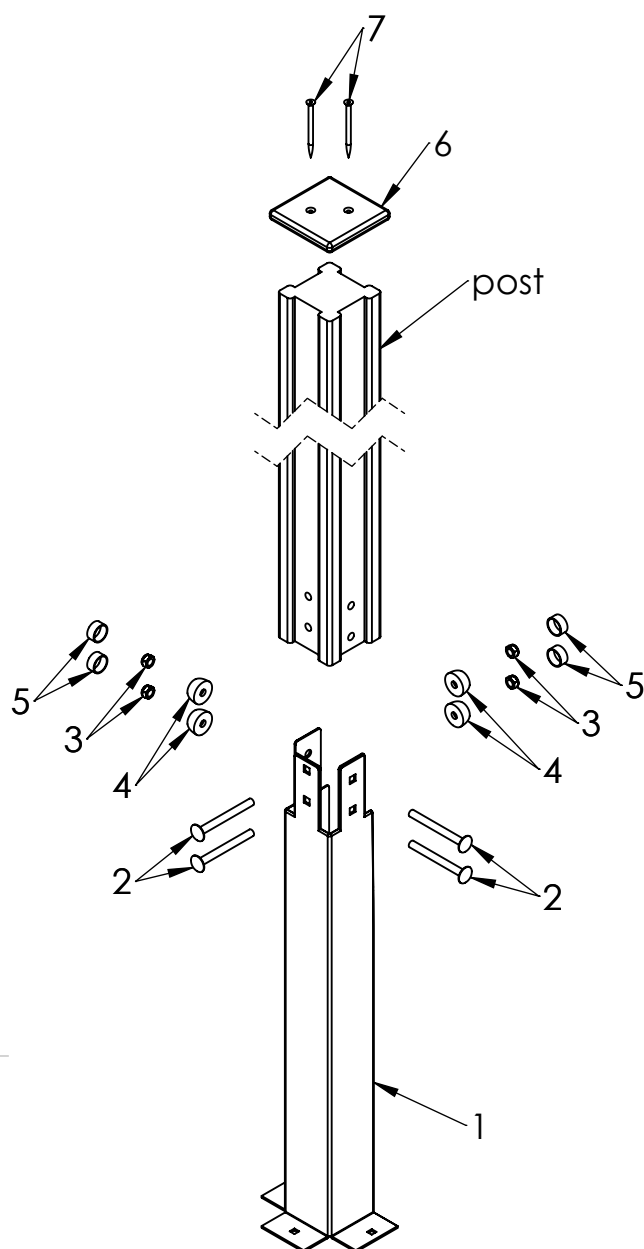
B

C

D

E

F



ITEM NO.	PART NUMBER
1	ground fixture
2	bolt DIN603 M10x100
3	nut DIN985 M10
4	nut cover M10
5	nut cover cap M10
6	plastic cap 115x115
7	woodscrew 6 x 90

UNLESS OTHERWISE SPECIFIED:  
DIMENSIONS ARE IN MILLIMETERS  
WEIGHT ARE IN KILOGRAMM

	NAME	SIGNATURE	DATE	REVISION
DRAWN	M.Rebase		28.07.2014	
APPV'D				

PART NUMBER / DWG NO.:

RS116

DESCRIPTION:

Climbing frame MONKEY

MATERIAL:

wood, metal, plastic

A4

WEIGHT:

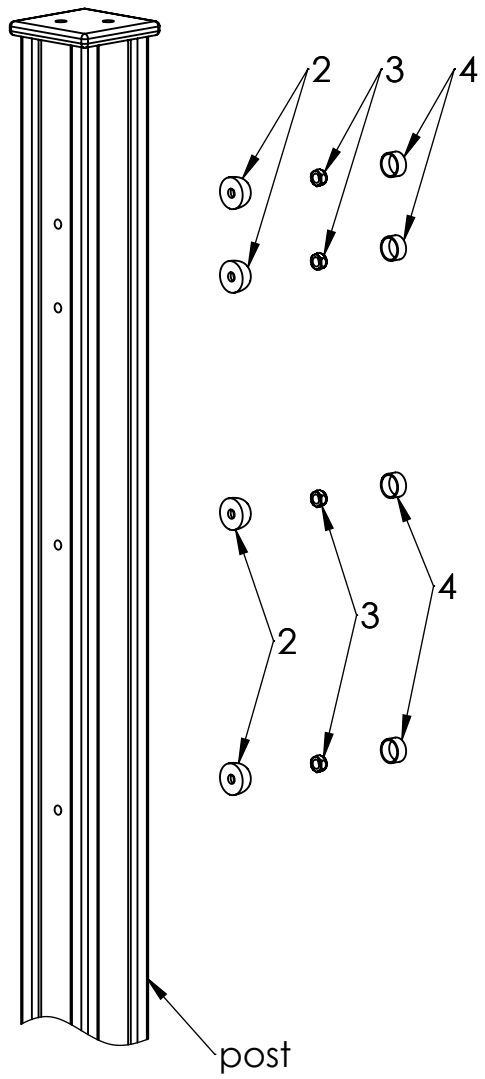
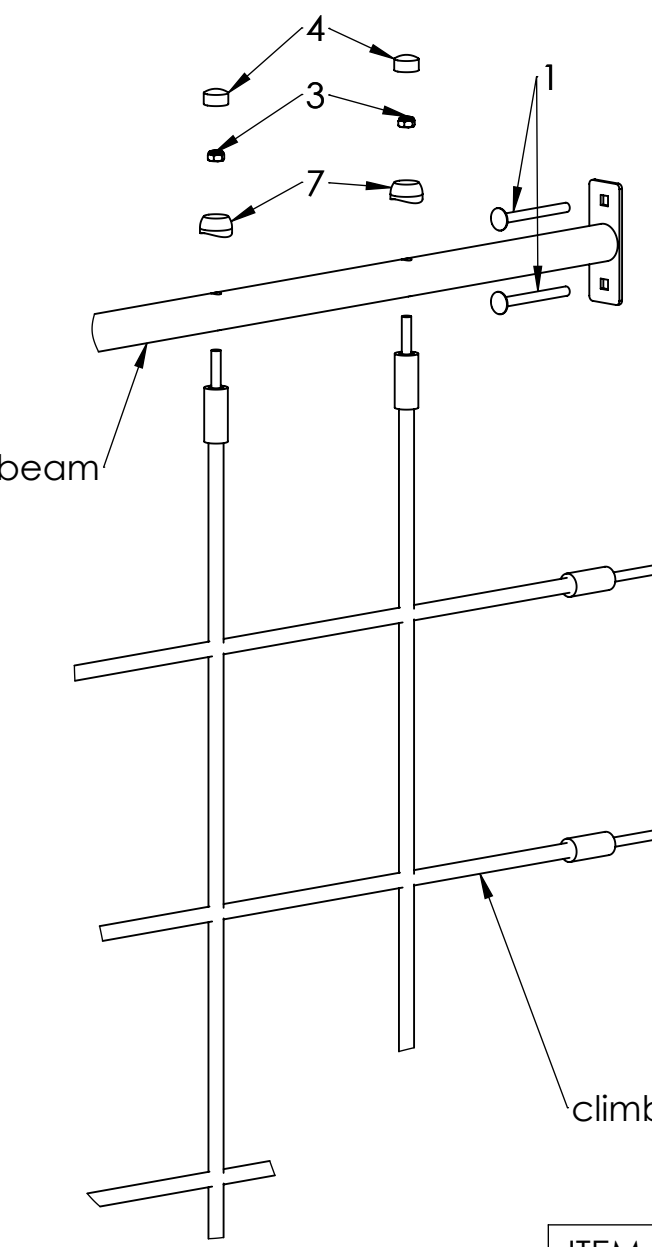
SCALE: 1:10

SHEET 6 OF 8



**Tiptaptap** OÜ

Tiptaptap OÜ  
Veetorni 9,  
Jüri alevik, Rae vald,  
75301 Harjumaa



ITEM NO.	PART NUMBER
1	bolt DIN603 M10x100
2	nut cover M10
3	nut DIN985 M10
4	nut cover cap M10
6	beam 40x1455 for net
7	nut cover for beam M10

UNLESS OTHERWISE SPECIFIED:  
DIMENSIONS ARE IN MILLIMETERS  
WEIGHT ARE IN KILOGRAMM

	NAME	SIGNATURE	DATE	REVISION
DRAWN	M.Rebase		28.07.2014	
APPV'D				

PART NUMBER / DWG NO.:  
**RS116**

DESCRIPTION:  
**Climbing frame MONKEY**



**Tiptaptap** OÜ  
Veetorni 9,  
Jüri alevik, Rae vald,  
75301 Harjumaa

MATERIAL:	wood, metal, plastic	A4
WEIGHT:	SCALE: 1:8	SHEET 7 OF 8

A

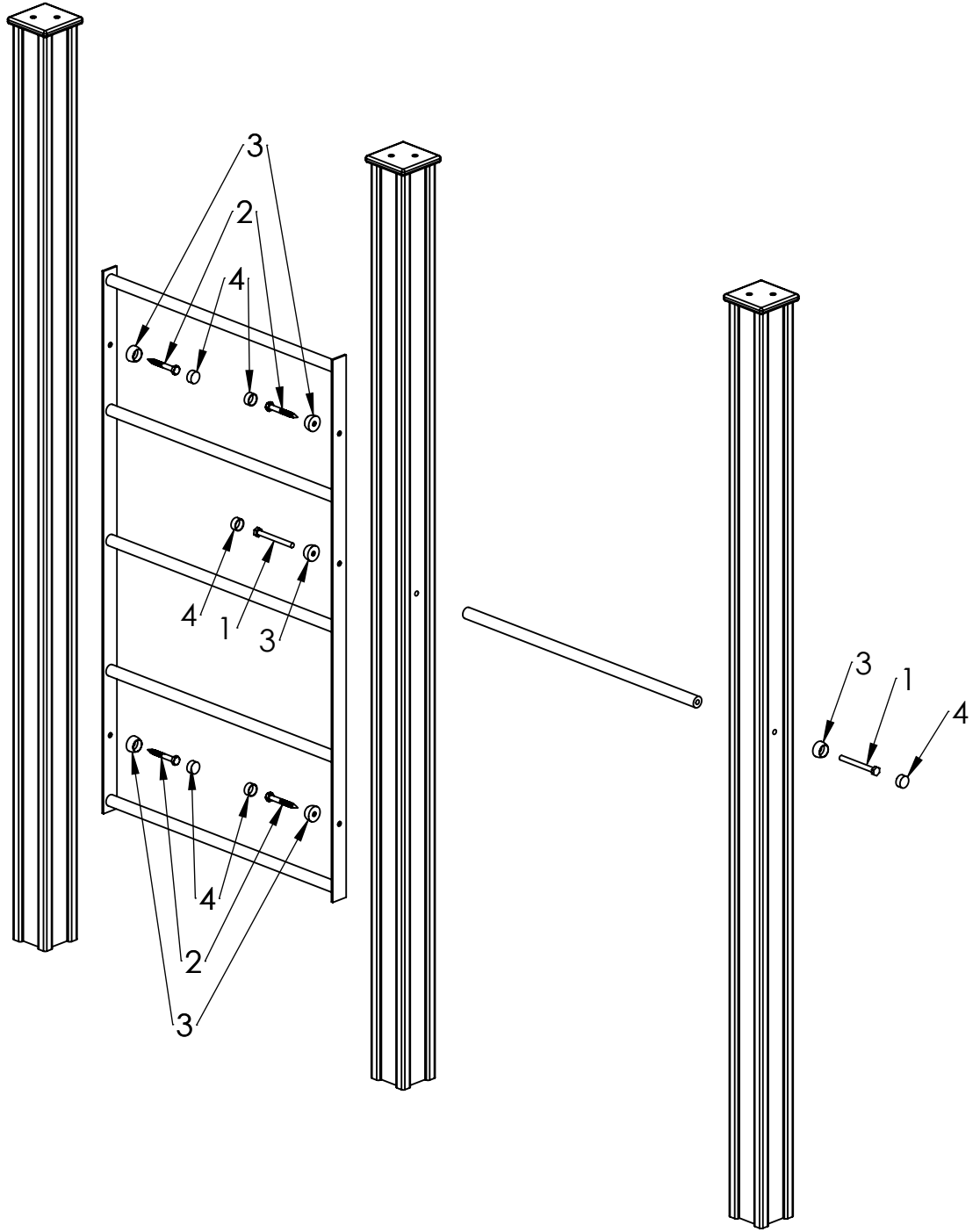
B

C

D

E

F



ITEM NO.	PART NUMBER
1	bolt DIN931 M10x100
2	wood screw DIN571 10x80
3	nut cover M10
4	nut cover cap M10

UNLESS OTHERWISE SPECIFIED:  
 DIMENSIONS ARE IN MILLIMETERS  
 WEIGHT ARE IN KILOGRAMM

PART NUMBER / DWG NO.:

RS116

	NAME	SIGNATURE	DATE	REVISION
DRAWN	M.Rebase		28.07.2014	
APPV'D				

DESCRIPTION:

Climbing frame MONKEY



**Tiptap** OÜ

Tiptap OÜ  
 Veetorni 9,  
 Jüri alevik, Rae vald,  
 75301 Harjumaa

MATERIAL:

wood, metal, plastic

A4

WEIGHT:

SCALE: 1:14

SHEET 8 OF 8