

A

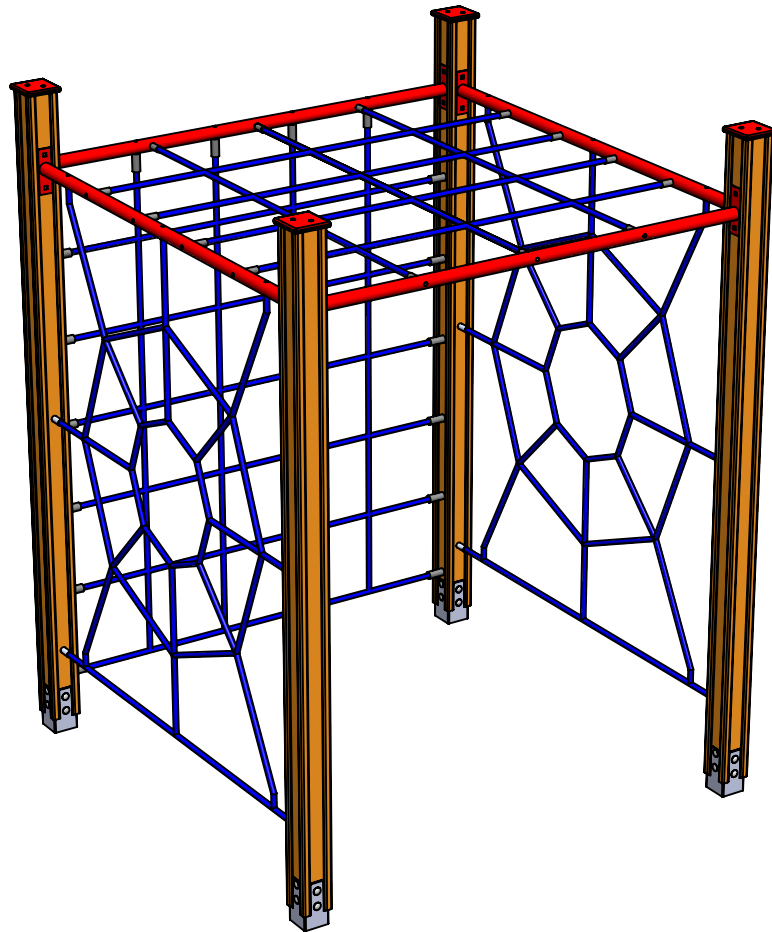
B

C

D

E

F



UNLESS OTHERWISE SPECIFIED:
 DIMENSIONS ARE IN MILLIMETERS
 WEIGHT ARE IN KILOGRAMM

PART NUMBER / DWG NO.:

RS115

	NAME	SIGNATURE	DATE	REVISION
DRAWN	M.Rebase		28.07.2014	
APPV'D				

DESCRIPTION:

Climbing frame SPIDERWEB



Tiptaptap OÜ

Tiptaptap OÜ
 Veetorni 9,
 Jüri alevik, Rae vald,
 75301 Harjumaa

MATERIAL:

wood, metal, plastic

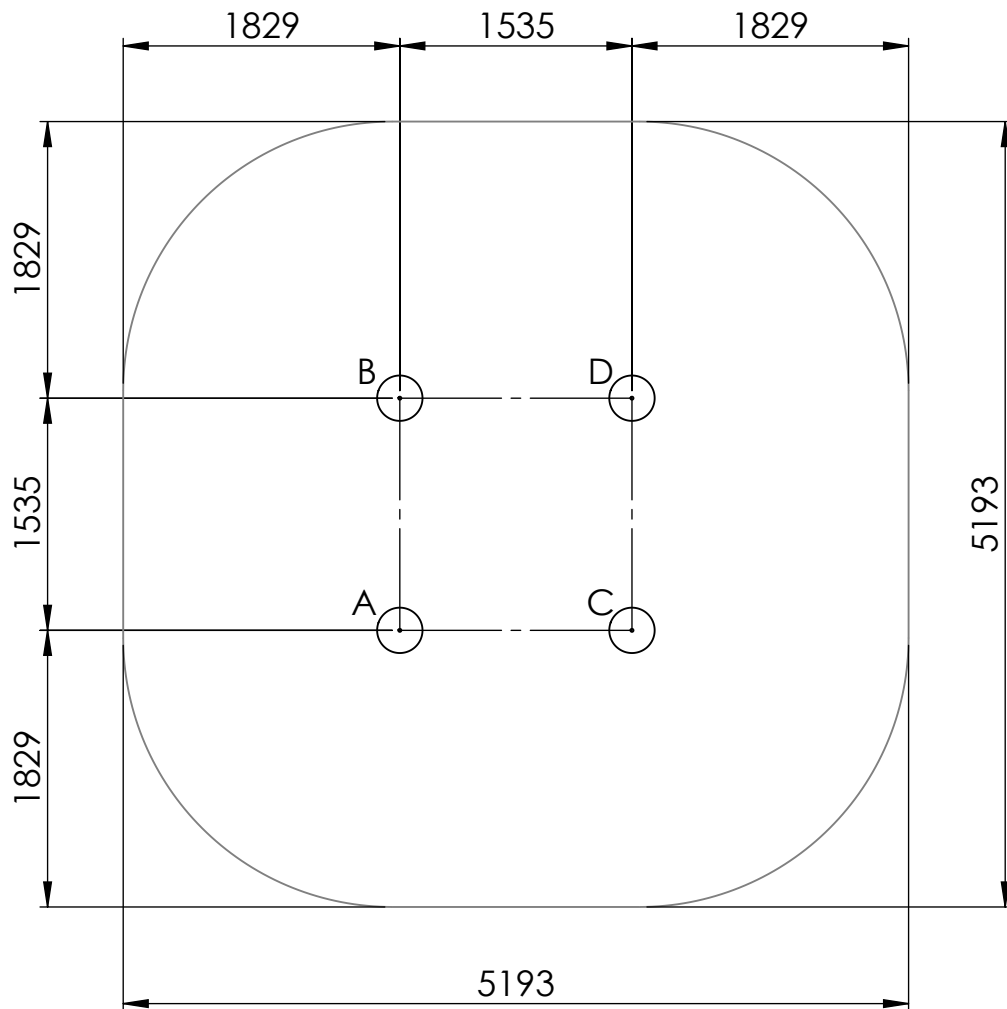
A4

WEIGHT:

SCALE: 1:20

SHEET 1 OF 7

foundation



depth of foundation 700mm

UNLESS OTHERWISE SPECIFIED:
DIMENSIONS ARE IN MILLIMETERS
WEIGHT ARE IN KILOGRAMM

PART NUMBER / DWG NO.:

RS115

	NAME	SIGNATURE	DATE	REVISION
DRAWN	M.Rebase		28.07.2014	
APPV'D				

DESCRIPTION:

Climbing frame SPIDERWEB



Tiptaptap OÜ

Tiptaptap OÜ
Veetorni 9,
Jüri alevik, Rae vald,
75301 Harjumaa

MATERIAL:

wood, metal, plastic

A4

WEIGHT:

SCALE: 1:20

SHEET 3 OF 7

1

2

3

4

A

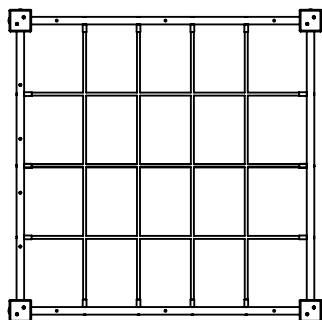
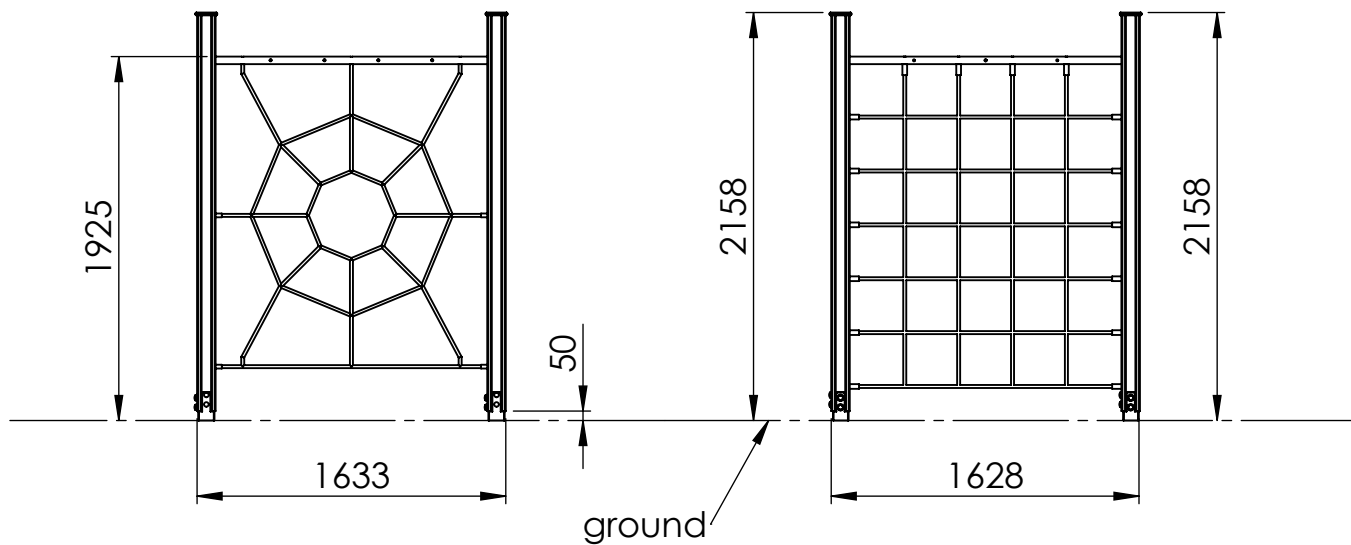
B

C

D

E

F



UNLESS OTHERWISE SPECIFIED:
DIMENSIONS ARE IN MILLIMETERS
WEIGHT ARE IN KILOGRAMM

PART NUMBER / DWG NO.:

RS115

	NAME	SIGNATURE	DATE	REVISION
DRAWN	M.Rebase		28.07.2014	
APPV'D				

DESCRIPTION:

Climbing frame SPIDERWEB



Tiptaptap OÜ

Tiptaptap OÜ
Veetorni 9,
Jüri alevik, Rae vald,
75301 Harjumaa

MATERIAL:

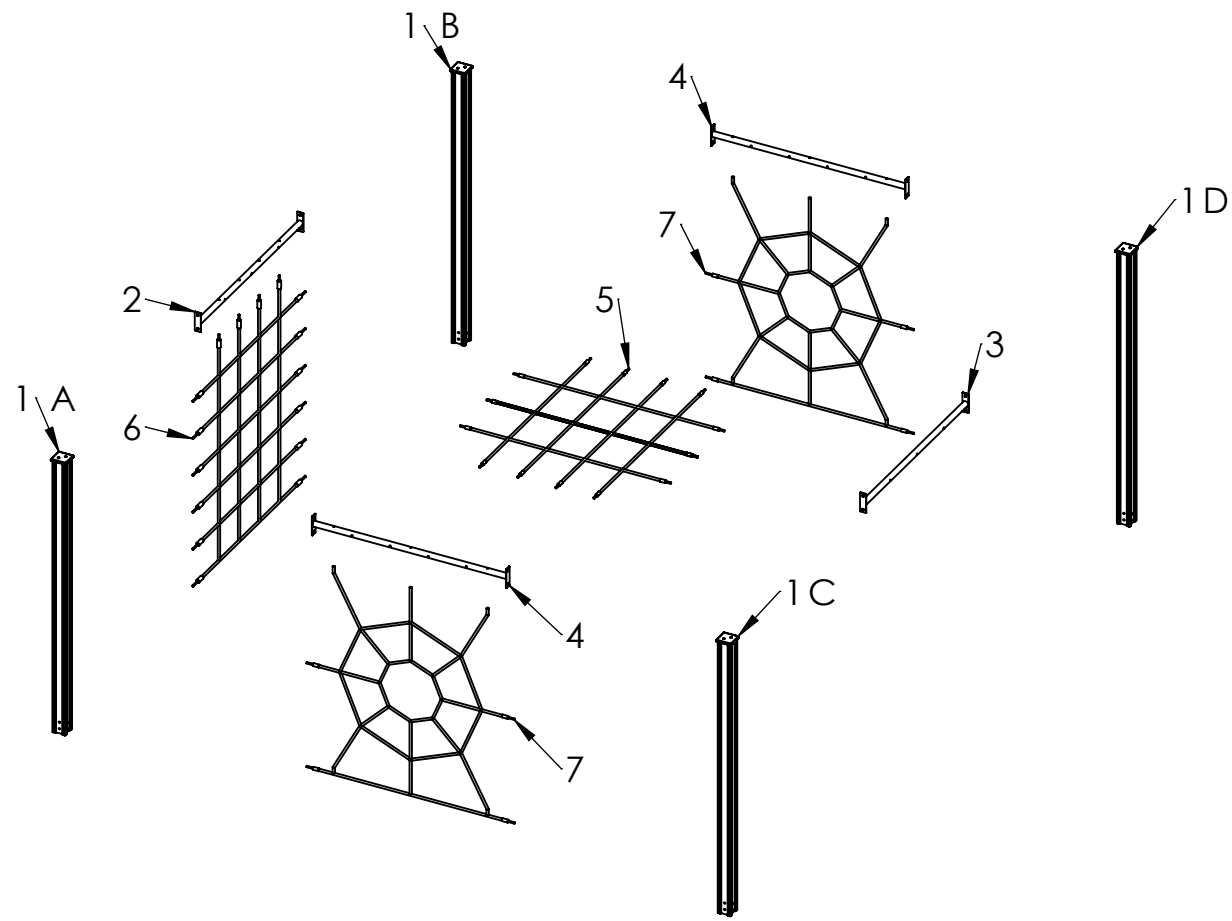
wood, metal, plastic

A4

WEIGHT:

SCALE: 1:40

SHEET 4 OF 7



ITEM NO.	PART NUMBER	DESCRIPTION	QTY.
1	post 98x98x2100 with top cover	laminated wood, PE plastic	4
2	beam 40x1455 A-B	painted steel	1
3	beam 40x1455 C-D	painted steel	1
4	beam 40x1455 A-C, B-D	painted steel	2
5	climbing net 1495x1495	PP covered steel wire	1
6	climbing net	PP covered steel wire	1
7	spider net	PP covered steel wire	2

UNLESS OTHERWISE SPECIFIED: DIMENSIONS ARE IN MILLIMETERS WEIGHT ARE IN KILOGRAMM				
	NAME	SIGNATURE	DATE	REVISION
DRAWN	M.Rebase		28.07.2014	
APPV'D				

PART NUMBER / DWG NO.:	RS115
DESCRIPTION:	Climbing frame SPIDERWEB


Tiptiptap OÜ
 Veetorni 9,
 Jüri alevik, Rae vald,
 75301 Harjumaa

MATERIAL:	wood, metal, plastic	A4
WEIGHT:	SCALE: 1:40	SHEET 5 OF 7

A

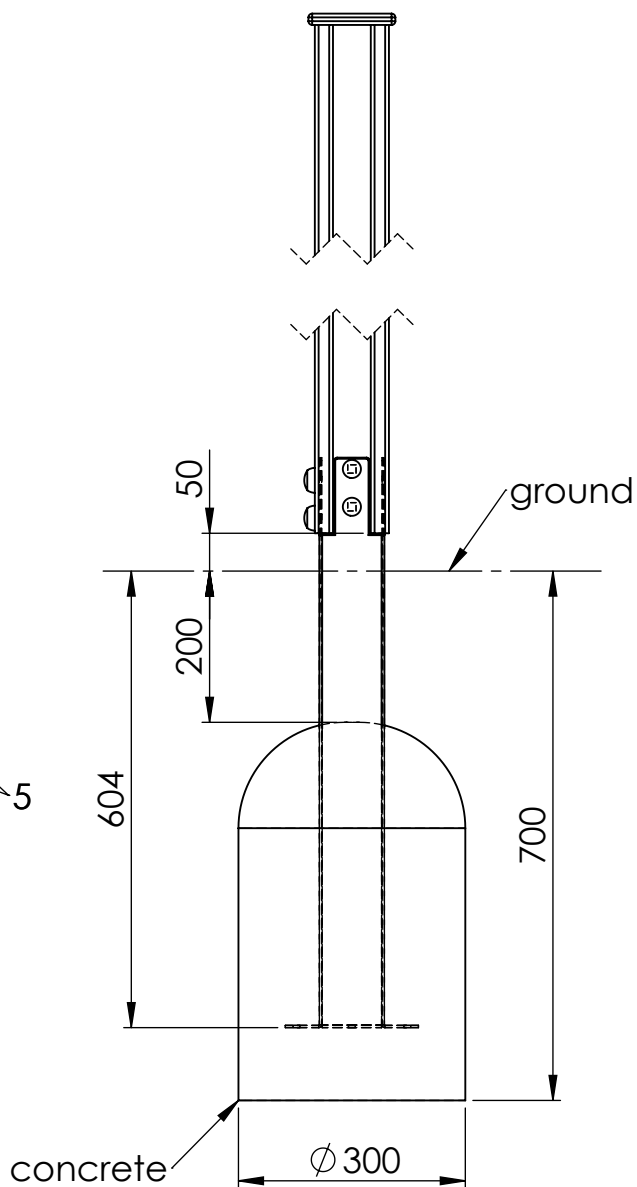
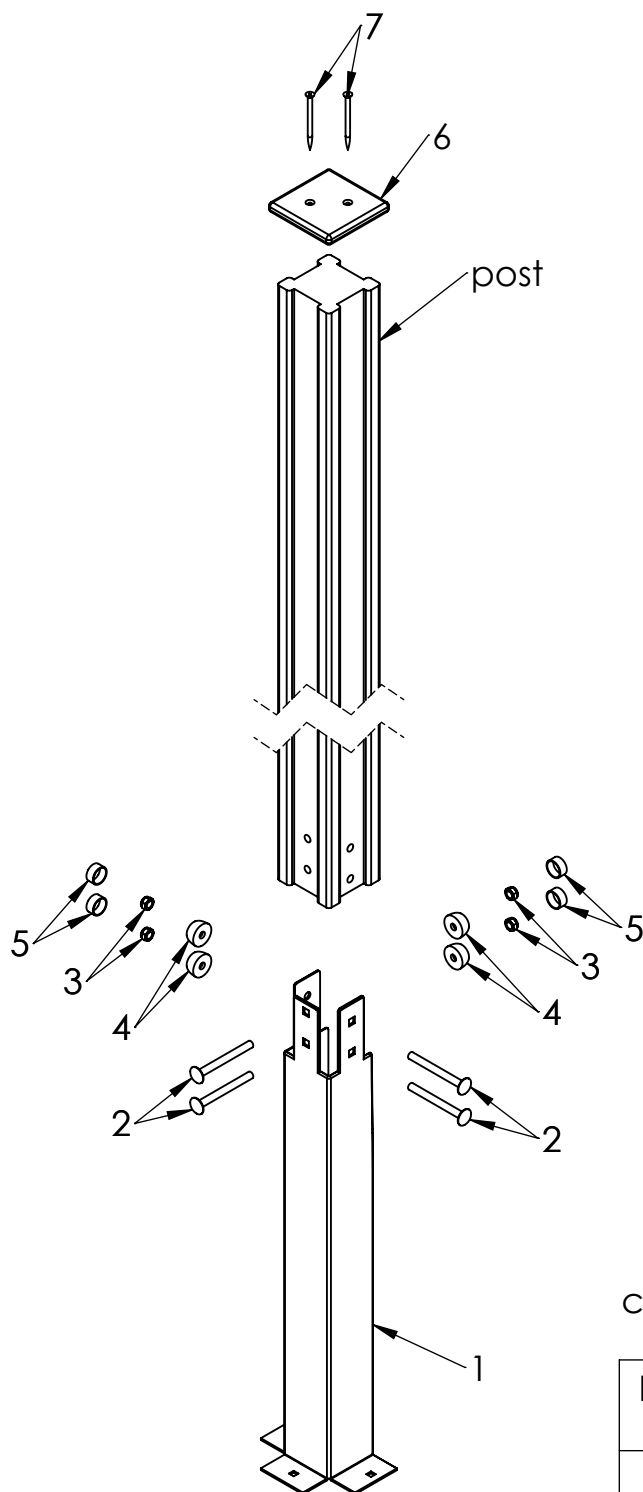
B

C

D

E

F



ITEM NO.	PART NUMBER
1	ground fixture
2	bolt DIN603 M10x100
3	nut DIN985 M10
4	nut cover M10
5	nut cover cap M10
6	plastic cap 115x115
7	woodscrew 6 x 90

UNLESS OTHERWISE SPECIFIED:
DIMENSIONS ARE IN MILLIMETERS
WEIGHT ARE IN KILOGRAMM

PART NUMBER / DWG NO.:

RS115

	NAME	SIGNATURE	DATE	REVISION
DRAWN	M.Rebase		28.07.2014	
APPV'D				

DESCRIPTION:

Climbing frame SPIDERWEB
connecting metal ground fixing to post

MATERIAL:

wood, metal, plastic

A4

WEIGHT:

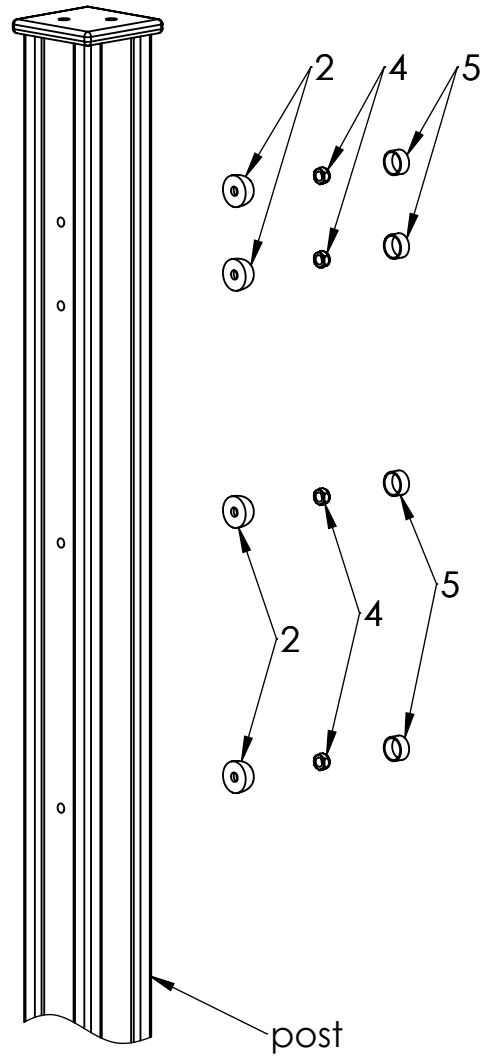
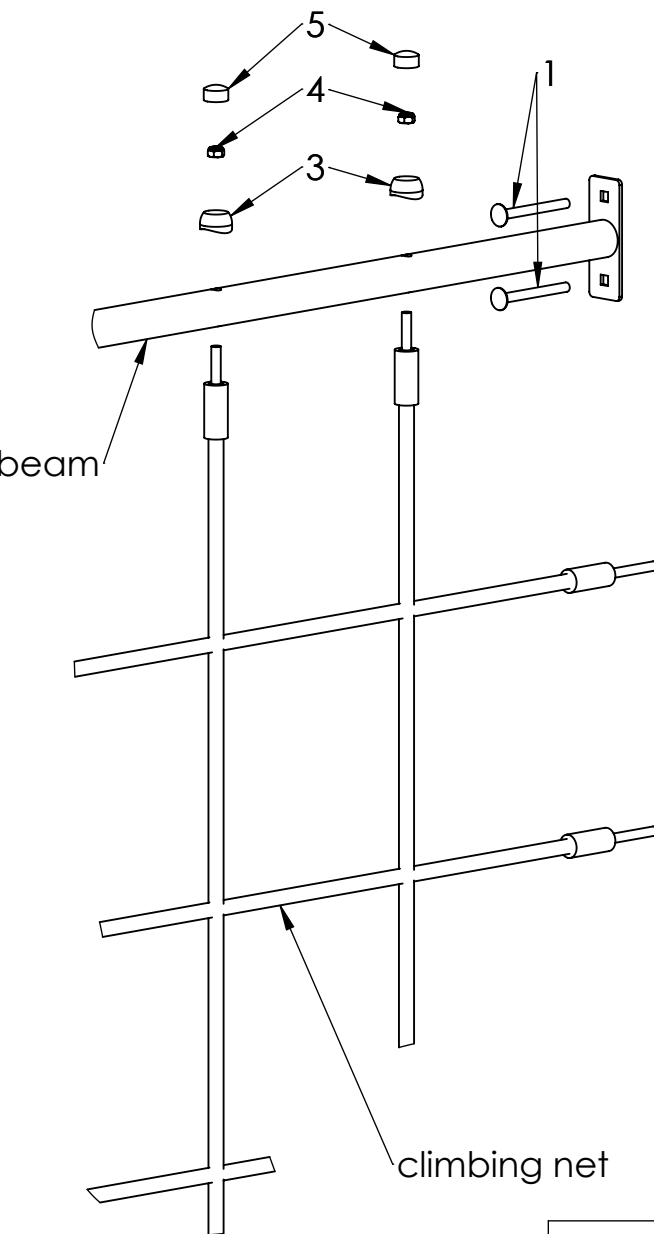
SCALE: 1:10

SHEET 6 OF 7



Tiptap OÜ

Tiptap OÜ
Veetorni 9,
Jüri alevik, Rae vald,
75301 Harjumaa



ITEM NO.	PART NUMBER
1	bolt DIN603 M10x100
2	nut cover M10
3	nut cover for beam M10
4	nut DIN985 M10
5	nut cover cap M10
6	beam 40x1455 for net

UNLESS OTHERWISE SPECIFIED:
DIMENSIONS ARE IN MILLIMETERS
WEIGHT ARE IN KILOGRAMM

PART NUMBER / DWG NO.:

RS115

	NAME	SIGNATURE	DATE	REVISION
DRAWN	M.Rebase		28.07.2014	
APPV'D				

DESCRIPTION:

Climbing frame SPIDERWEB
connecting beam and climbing net to post

MATERIAL:

wood, metal, plastic

A4

WEIGHT:

SCALE: 1:8

SHEET 7 OF 7



Tiptaptap OÜ

Tiptaptap OÜ
Veetorni 9,
Jüri alevik, Rae vald,
75301 Harjumaa