

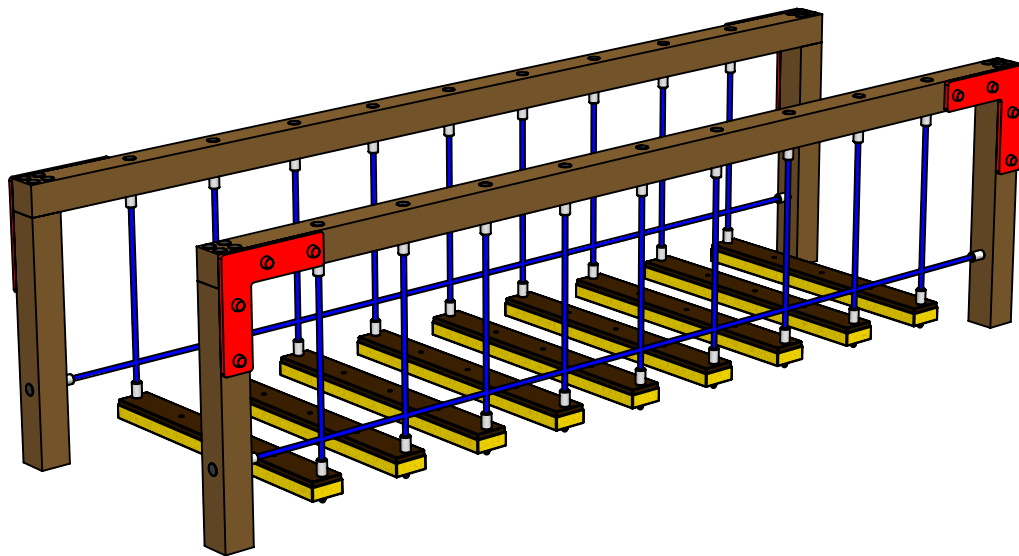
A

B

C

D

E



UNLESS OTHERWISE SPECIFIED:  
 DIMENSIONS ARE IN MILLIMETERS  
 WEIGHT ARE IN KILOGRAMM

PART NUMBER / DWG NO.:

Bridge on chains

	NAME	SIGNATURE	DATE	REVISION
DRAWN	M.Rebase		14.01.2015	
APPV'D				

DESCRIPTION:

RS 113



**Tiptaptap** OÜ

Tiptaptap OÜ  
 Veetorni 9,  
 Jüri alevik, Rae vald,  
 75301 Harjumaa

MATERIAL:

wood, metal, plastic

A4

WEIGHT:

SCALE: 1:20

SHEET 1 OF 7

F

1

2

3

4

safety area

A

3998

B

C

3200

6200

D

E

998

UNLESS OTHERWISE SPECIFIED:  
DIMENSIONS ARE IN MILLIMETERS  
WEIGHT ARE IN KILOGRAMM

PART NUMBER / DWG NO.:  
**Bridge on chains**

	NAME	SIGNATURE	DATE	REVISION
DRAWN	M.Rebase		14.01.2015	
APPV'D				

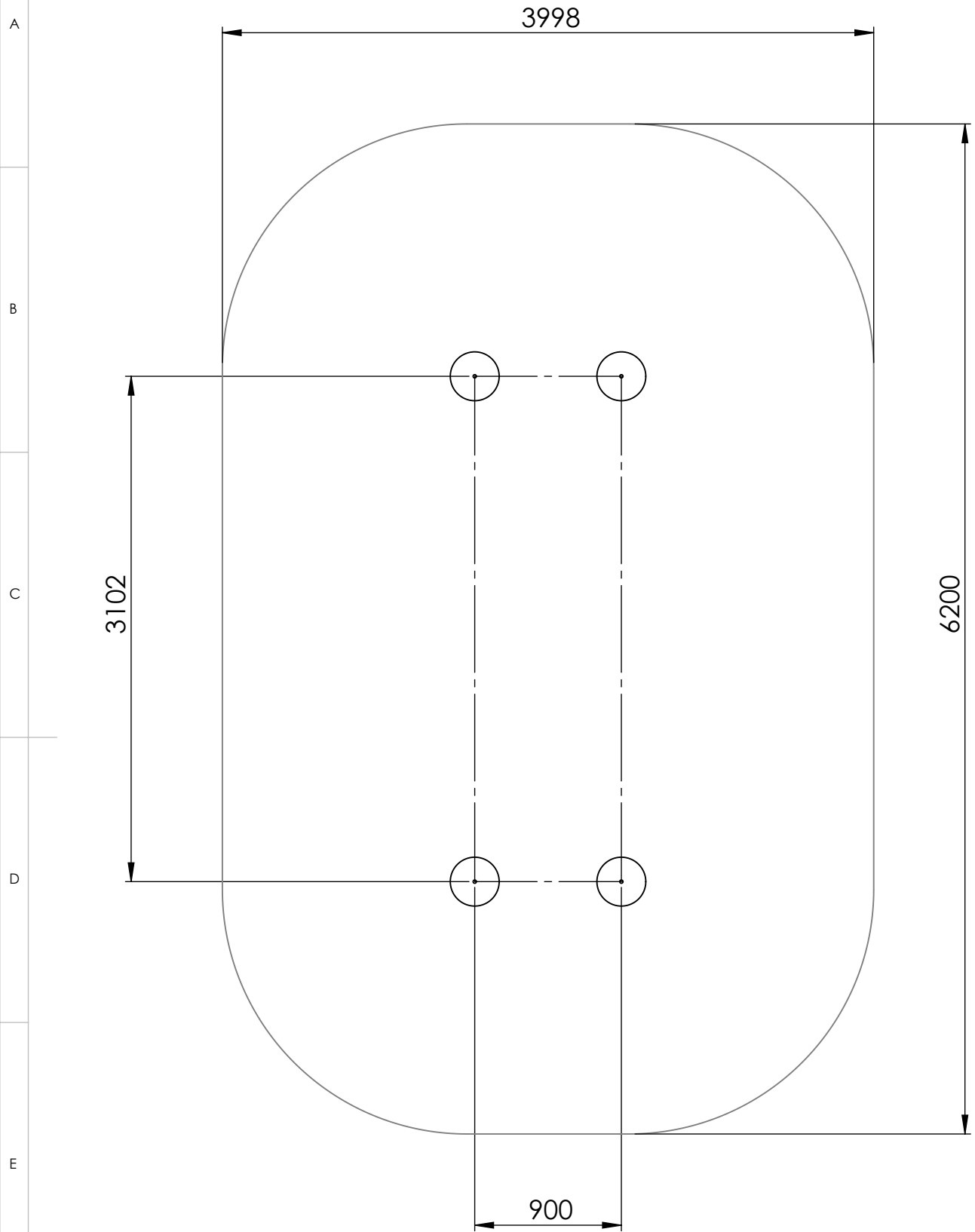
DESCRIPTION:  
**RS 113**



**Tiptiptap** OÜ  
Veetorni 9,  
Jüri alevik, Rae vald,  
75301 Harjumaa

MATERIAL:	wood, metal, plastic	A4
WEIGHT:		SCALE: 1:35
		SHEET 2 OF 7

# foundation



depth of foundation 600mm

UNLESS OTHERWISE SPECIFIED:  
DIMENSIONS ARE IN MILLIMETERS  
WEIGHT ARE IN KILOGRAMM

PART NUMBER / DWG NO.:

Bridge on chains

	NAME	SIGNATURE	DATE	REVISION
DRAWN	M.Rebase		14.01.2015	
APPV'D				

DESCRIPTION:

RS 113



**Tiptiptap** OÜ

Tiptiptap OÜ  
Veetorni 9,  
Jüri alevik, Rae vald,  
75301 Harjumaa

MATERIAL:

wood, metal, plastic

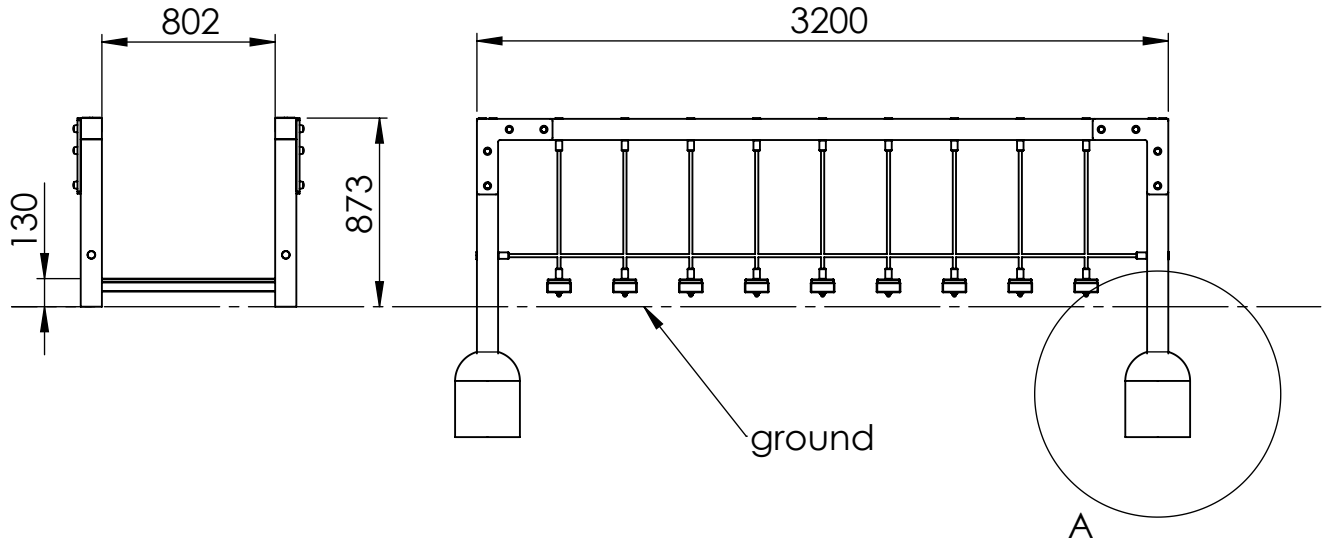
A4

WEIGHT:

SCALE: 1:35

SHEET 3 OF 7

A

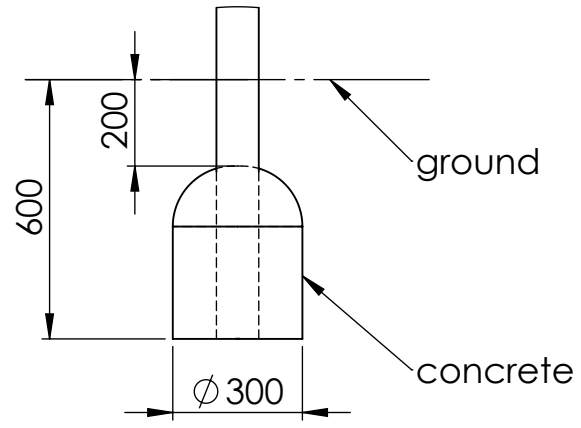
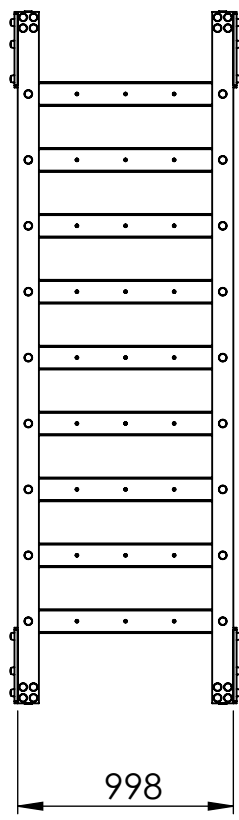


B

C

D

E



DETAIL A

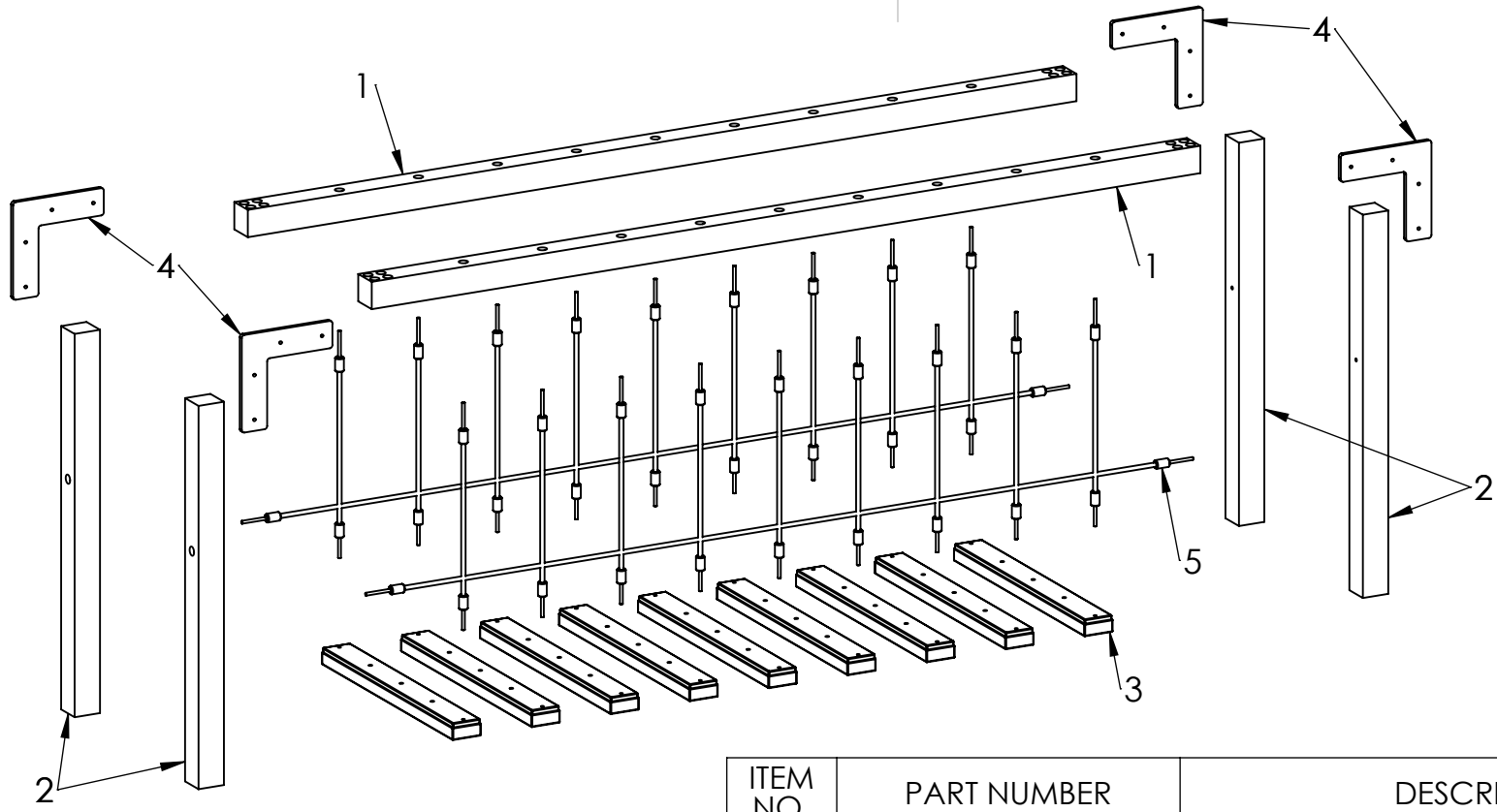
UNLESS OTHERWISE SPECIFIED: DIMENSIONS ARE IN MILLIMETERS WEIGHT ARE IN KILOGRAMM				
	NAME	SIGNATURE	DATE	REVISION
DRAWN	M.Rebase		14.01.2015	
APPV'D				

PART NUMBER / DWG NO.:	Bridge on chains
DESCRIPTION:	RS 113




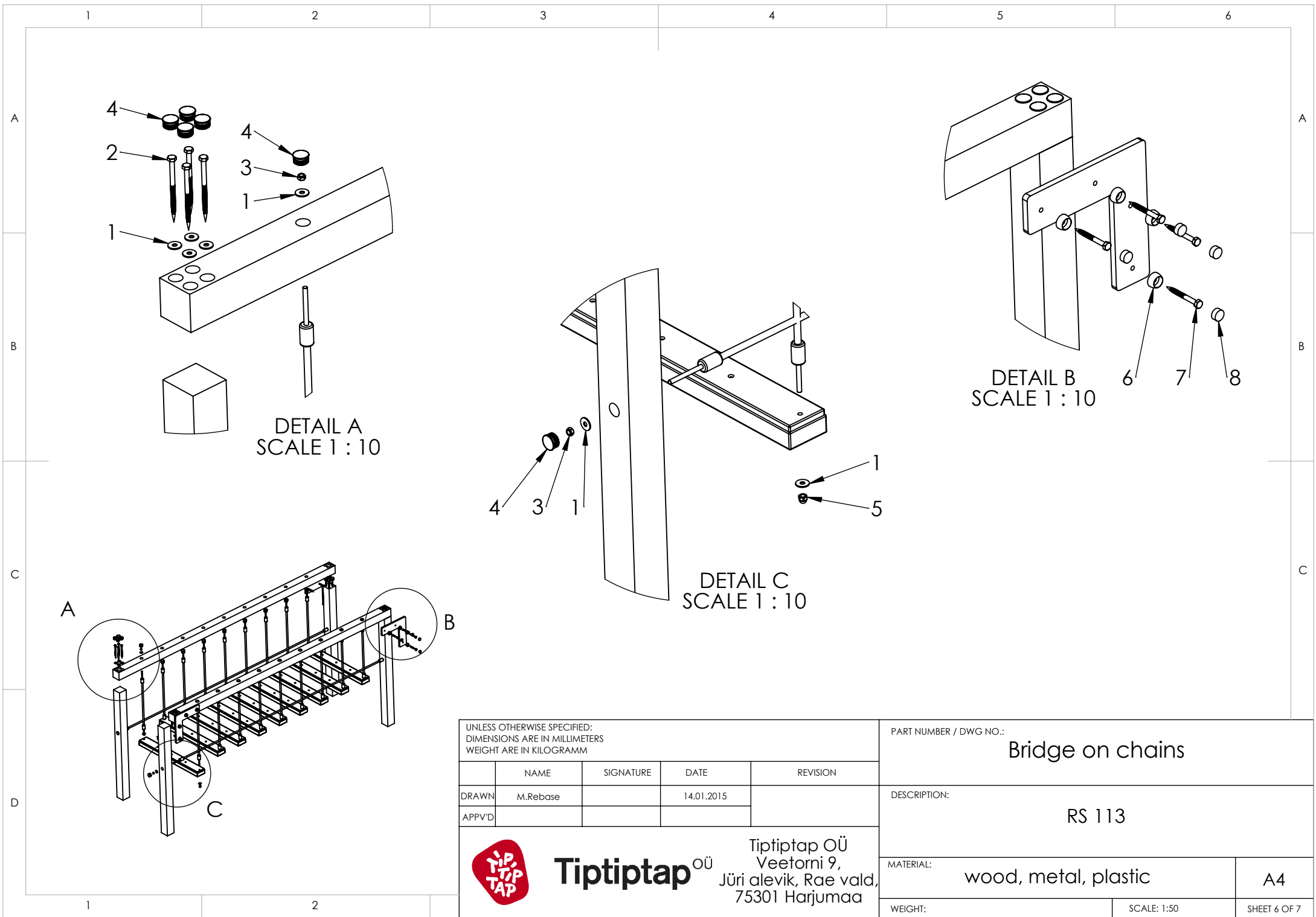
**Tiptiptap** OÜ  
 Veetorni 9,  
 Jüri alevik, Rae vald,  
 75301 Harjumaa

MATERIAL:	wood, metal, plastic	A4
WEIGHT:	SCALE: 1:35	SHEET 4 OF 7



ITEM NO.	PART NUMBER	DESCRIPTION	QTY.
1	post 98x98x3200	impregnated laminated wood	2
2	post 98x98x1375	impregnated laminated wood	4
3	wood stair 45x110x950	plywood, laminated wood	9
4	plastic corner	PE plastic	4
5	rope 3004mm	PP covered steel wire	2

UNLESS OTHERWISE SPECIFIED: DIMENSIONS ARE IN MILLIMETERS WEIGHT ARE IN KILOGRAMM					PART NUMBER / DWG NO.:		
					Bridge on chains		
	NAME	SIGNATURE	DATE	REVISION	DESCRIPTION:		
DRAWN	M.Rebase		14.01.2015		RS 113		
APPV'D					MATERIAL:		
 <b>Tiptap</b> OÜ Tiptap OÜ Veetorni 9, Jüri alevik, Rae vald, 75301 Harjumaa					wood, metal, plastic		A4
					WEIGHT:		SCALE: 1:25



UNLESS OTHERWISE SPECIFIED:  
 DIMENSIONS ARE IN MILLIMETERS  
 WEIGHT ARE IN KILOGRAMM

PART NUMBER / DWG NO.:  
**Bridge on chains**

	NAME	SIGNATURE	DATE	REVISION
DRAWN	M.Rebase		14.01.2015	
APPV'D				

DESCRIPTION:  
**RS 113**



**Tiptiptap** OÜ  
 Tiptiptap OÜ  
 Veetorni 9,  
 Jüri alevik, Rae vald,  
 75301 Harjumaa

MATERIAL:	wood, metal, plastic	A4
WEIGHT:	SCALE: 1:50	SHEET 6 OF 7

ITEM NO.	PART NUMBER	DESCRIPTION	QTY.
1	washer M10	galvanized steel	56
2	screw DIN571 10x160	galvanized steel	16
3	nut DIN985 M10	galvanized steel	22
4	plastic cap	PE plastic	38
5	domed cap nut DIN1587 M10	galvanized steel	18
6	nut cover M10	PE plastic	16
7	wood screw DIN571 10x100	galvanized steel	16
8	nut cover cap M10	PE plastic	16

UNLESS OTHERWISE SPECIFIED:  
DIMENSIONS ARE IN MILLIMETERS  
WEIGHT ARE IN KILOGRAMM

PART NUMBER / DWG NO.:  
**Bridge on chains**

	NAME	SIGNATURE	DATE	REVISION
DRAWN	M.Rebase		14.01.2015	
APPV'D				

DESCRIPTION:  
**RS 113**


**Tiptaptap** OÜ  
 Veetorni 9,  
 Jüri alevik, Rae vald,  
 75301 Harjumaa

MATERIAL:	wood, metal, plastic	A4
WEIGHT:	SCALE: 1:50	SHEET 7 OF 7