

A

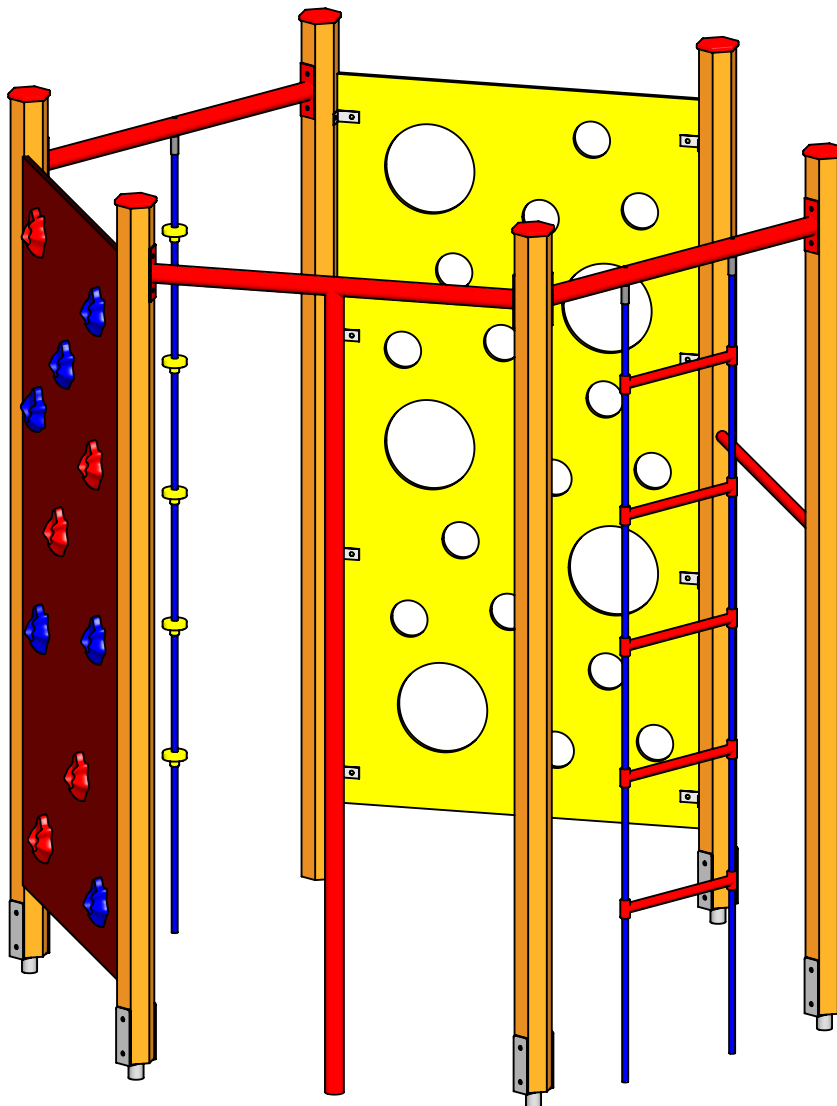
B

C

D

E

F



UNLESS OTHERWISE SPECIFIED:
 DIMENSIONS ARE IN MILLIMETERS
 WEIGHT ARE IN KILOGRAMM

PART NUMBER / DWG NO.:

RS110

	NAME	SIGNATURE	DATE	REVISION
DRAWN	M.Rebase		20.03.2014	
APPV'D				

DESCRIPTION:

Climbing structure HEXAGON



Tiptaptap OÜ

Tiptaptap OÜ
 Veetorni 9,
 Jüri alevik, Rae vald,
 75301 Harjumaa

MATERIAL:

wood, metal, plastic

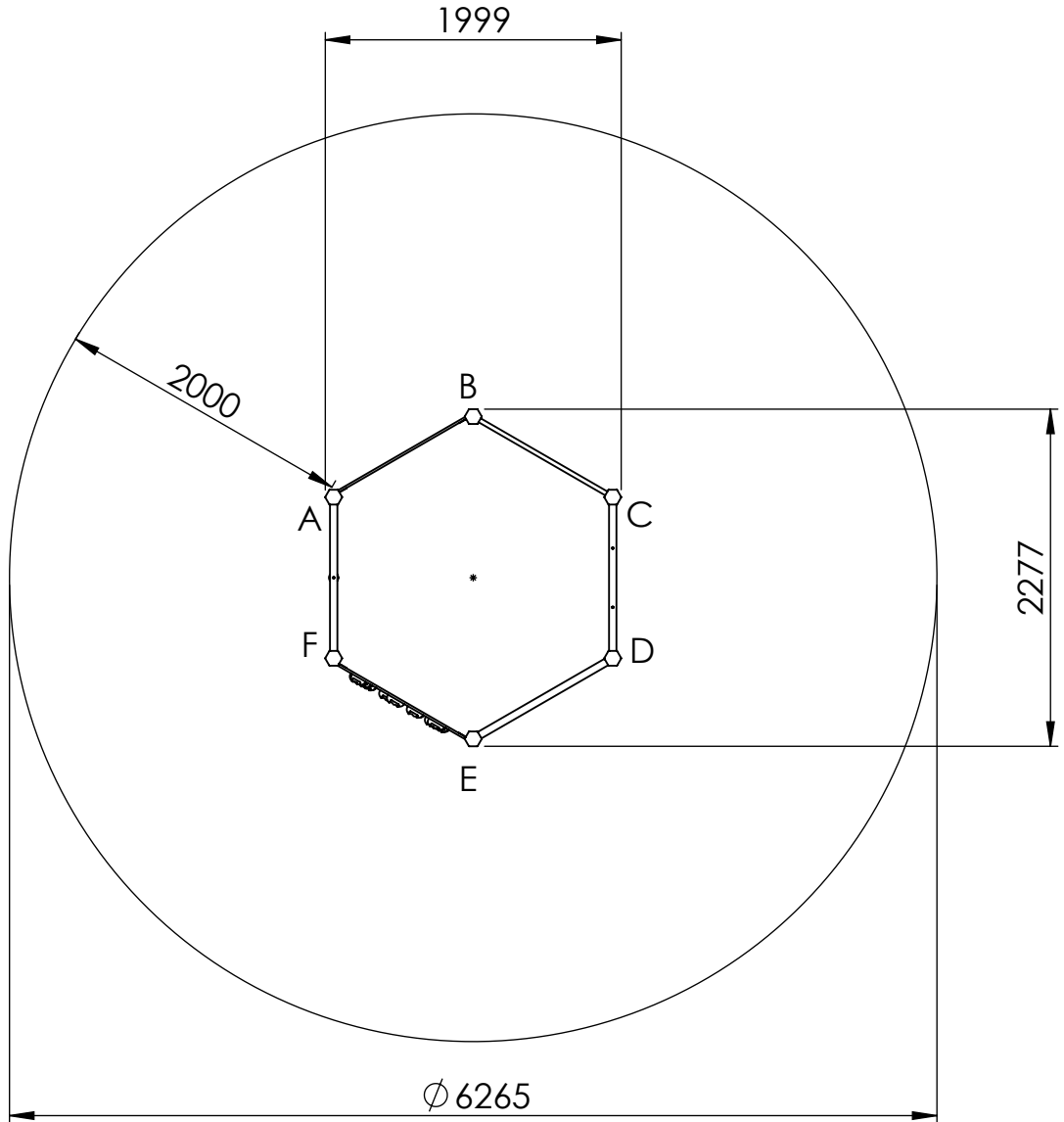
A4

WEIGHT: 140 kg

SCALE: 1:20

SHEET 1 OF 6

safety area



UNLESS OTHERWISE SPECIFIED:
DIMENSIONS ARE IN MILLIMETERS
WEIGHT ARE IN KILOGRAMM

PART NUMBER / DWG NO.:

RS110

	NAME	SIGNATURE	DATE	REVISION
DRAWN	M.Rebase		20.03.2014	
APPV'D				

DESCRIPTION:

Climbing structure HEXAGON



Tiptap OÜ

Tiptap OÜ
Veetorni 9,
Jüri alevik, Rae vald,
75301 Harjumaa

MATERIAL:

wood, metal, plastic

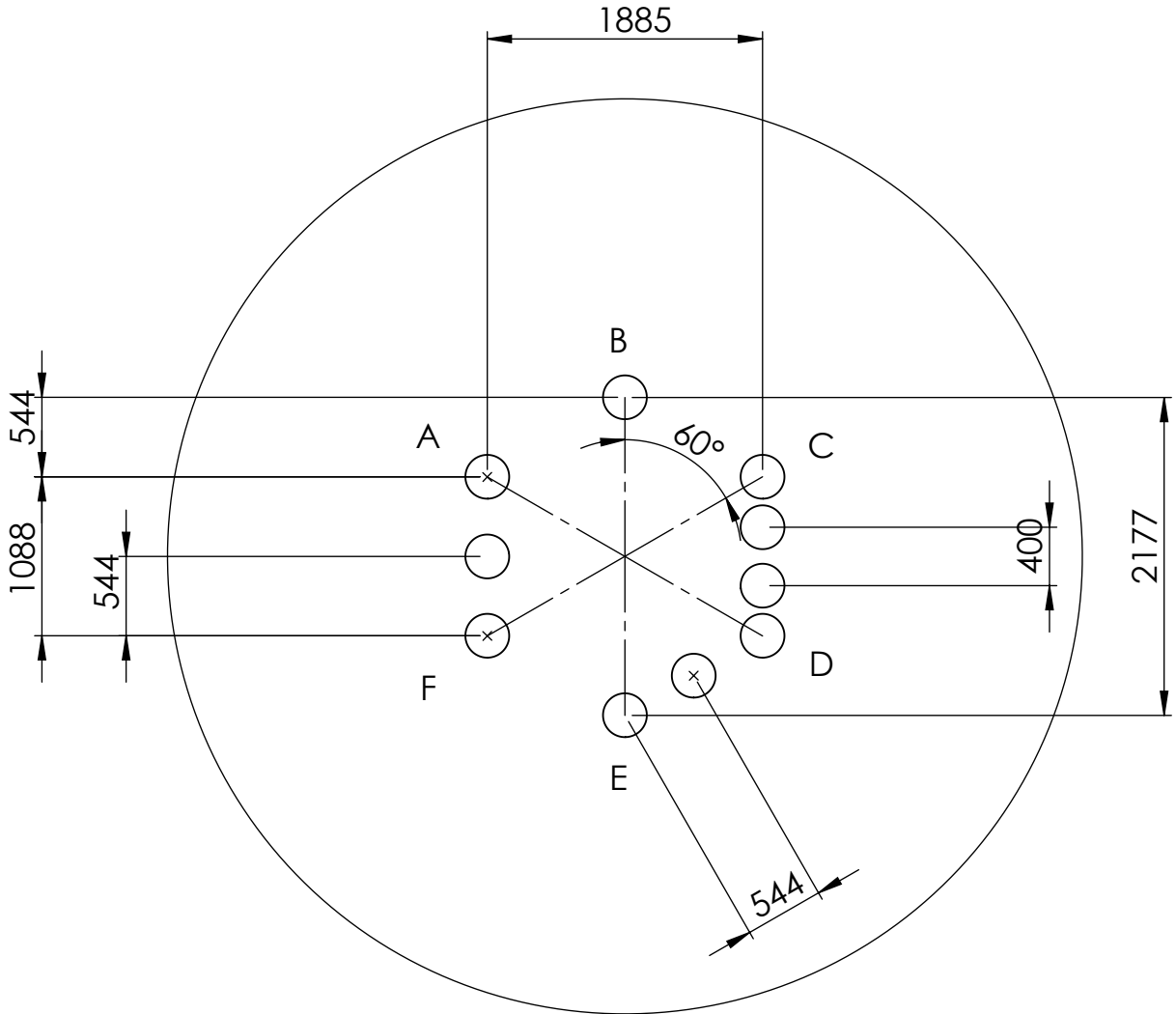
A4

WEIGHT: 140 kg

SCALE: 1:50

SHEET 2 OF 6

foundation



UNLESS OTHERWISE SPECIFIED:
DIMENSIONS ARE IN MILLIMETERS
WEIGHT ARE IN KILOGRAMM

PART NUMBER / DWG NO.:

RS110

	NAME	SIGNATURE	DATE	REVISION
DRAWN	M.Rebase		20.03.2014	
APPV'D				

DESCRIPTION:

Climbing structure HEXAGON



Tiptaptap OÜ

Tiptaptap OÜ
Veetorni 9,
Jüri alevik, Rae vald,
75301 Harjumaa

MATERIAL:

wood, metal, plastic

A4

WEIGHT: 140 kg

SCALE: 1:50

SHEET 3 OF 6

A

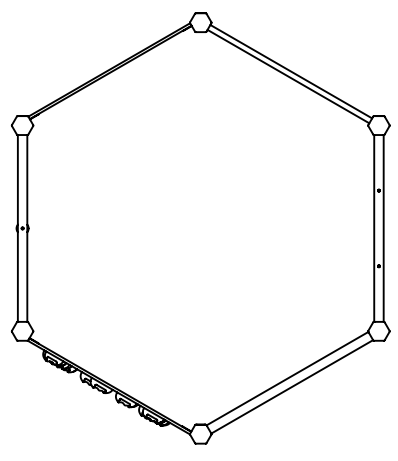
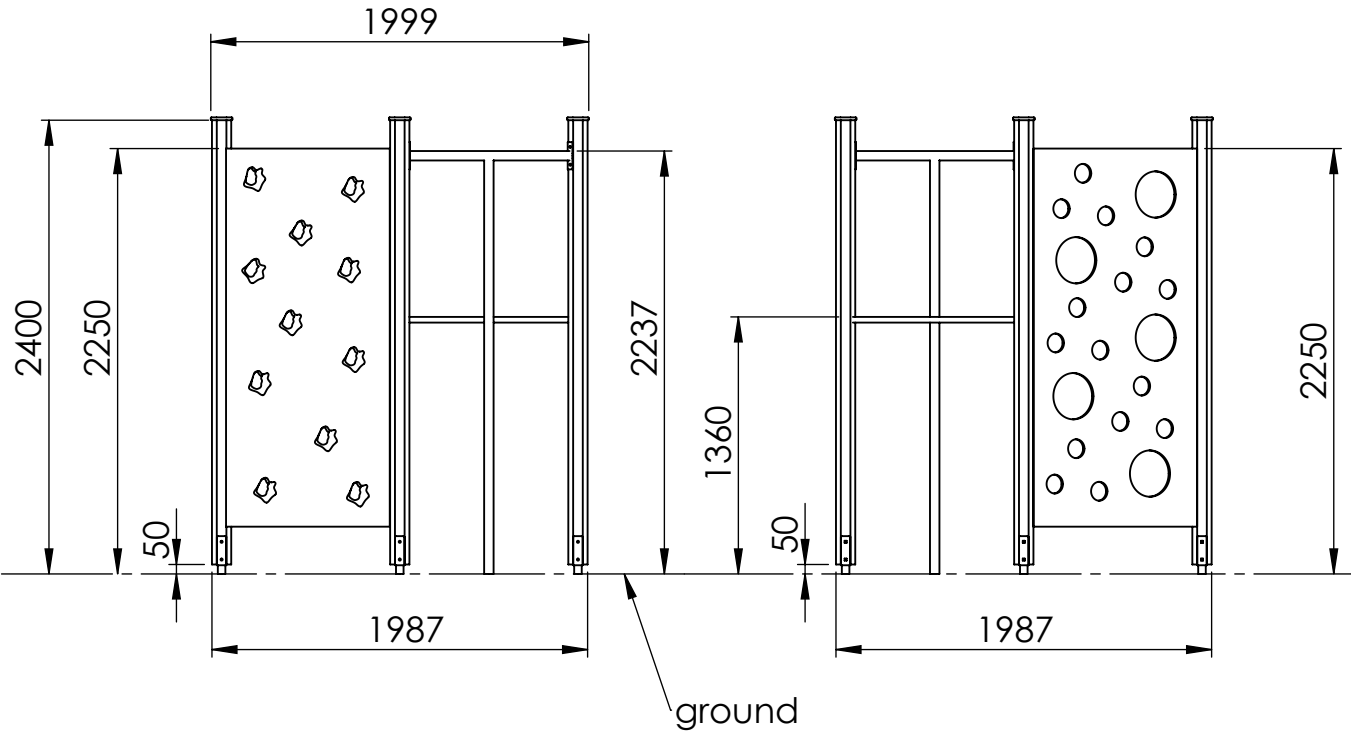
B

C

D

E

F



UNLESS OTHERWISE SPECIFIED: DIMENSIONS ARE IN MILLIMETERS WEIGHT ARE IN KILOGRAMM				
	NAME	SIGNATURE	DATE	REVISION
DRAWN	M.Rebase		20.03.2014	
APPV'D				

PART NUMBER / DWG NO.:	RS110
DESCRIPTION:	Climbing structure HEXAGON



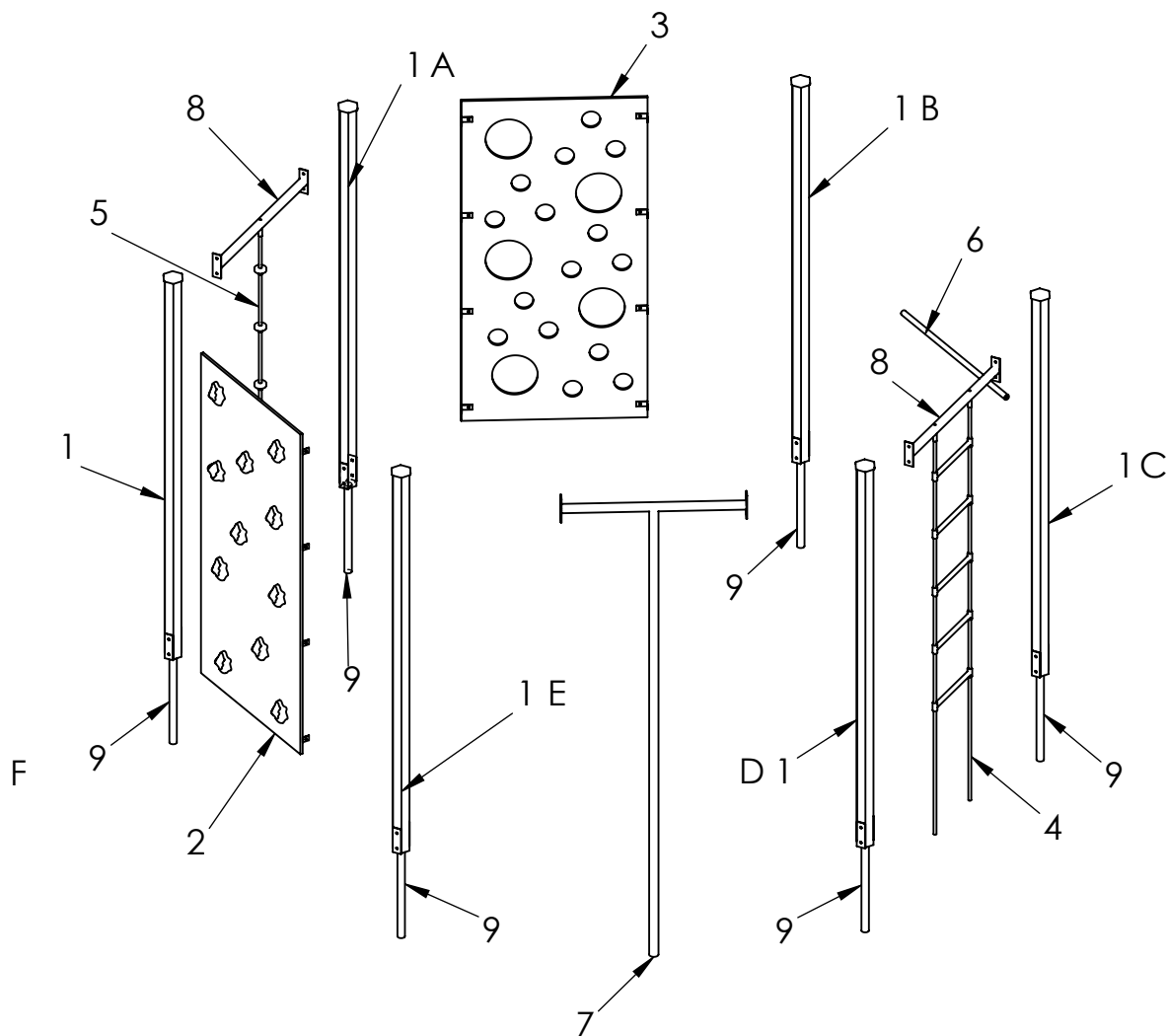
Tiptaptap OÜ
Veetorni 9,
Jüri alevik, Rae vald,
75301 Harjumaa

MATERIAL:	wood, metal, plastic	A4
WEIGHT: 140 kg	SCALE: 1:40	SHEET 4 OF 6

A

B

C



D

E

F

ITEM NO.	PART NUMBER	DESCRIPTION	QTY.
1	post	Laminated wood	6
2	climbing wall with grips 1000x2000	plywood	1
3	climbing wall with holes 1000x2000	plywood	1
4	rope ladder	PP covered steel wire with plastic rung	1
5	climbing rope 16mm	PP covered steel wire with plastic knot	1
6	beam 30x1000	galvanized steel (painted)	1
7	climbing beam 50x2800	galvanized steel (painted)	1
8	beam d.50x1000	galvanized steel (painted)	2
9	ground hitch U-shape	galvanized steel	6

UNLESS OTHERWISE SPECIFIED:
DIMENSIONS ARE IN MILLIMETERS
WEIGHT ARE IN KILOGRAMM

PART NUMBER / DWG NO.:

RS110

	NAME	SIGNATURE	DATE	REVISION
DRAWN	M.Rebase		20.03.2014	
APPV'D				

DESCRIPTION:

Climbing structure HEXAGON

MATERIAL:

wood, metal, plastic

A4

WEIGHT: 140 kg

SCALE: 1:40

SHEET 5 OF 6



Tiptaptap OÜ

Tiptaptap OÜ
Veetorni 9,
Jüri alevik, Rae vald,
75301 Harjumaa

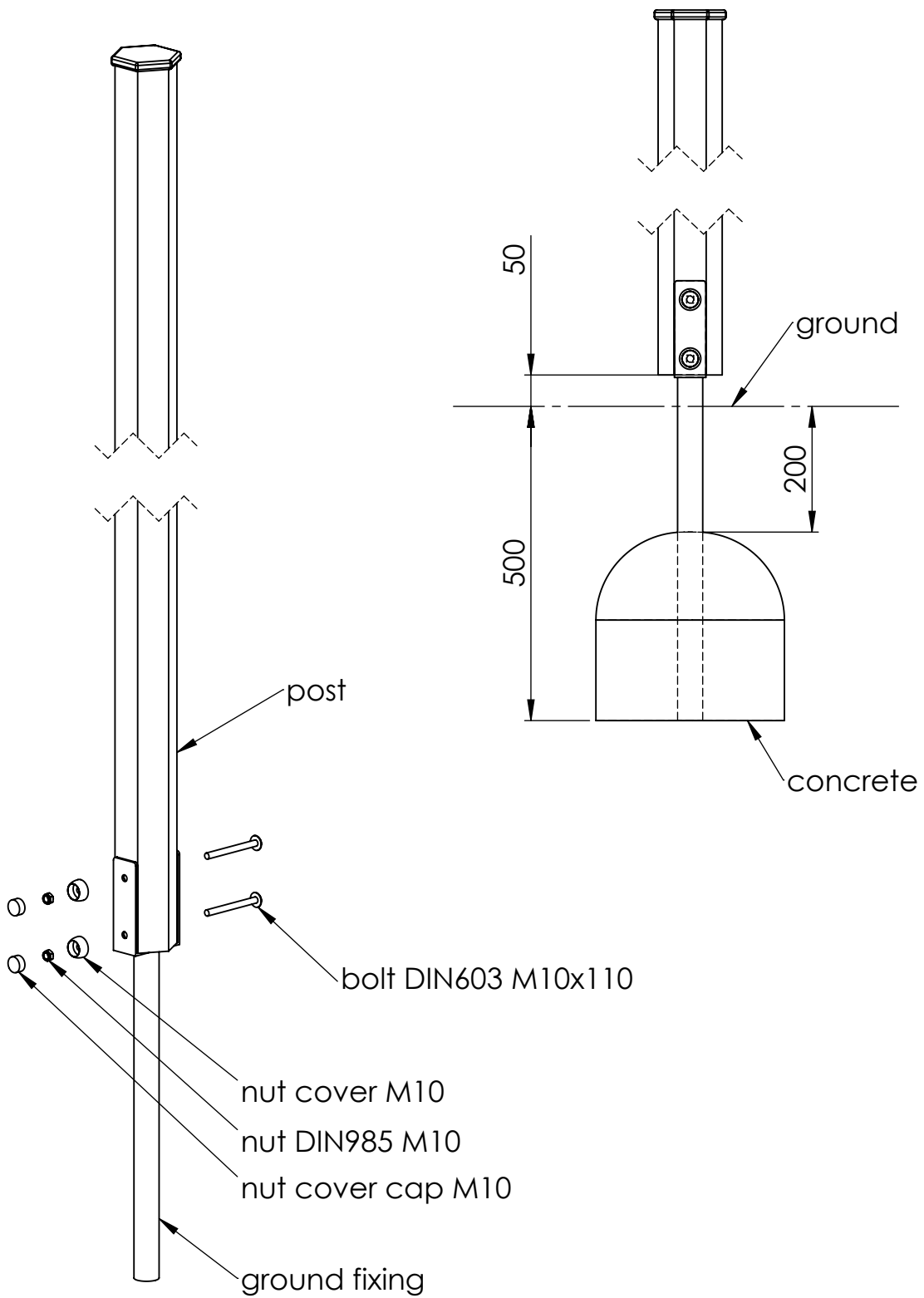
A

B

C

D

E



UNLESS OTHERWISE SPECIFIED: DIMENSIONS ARE IN MILLIMETERS WEIGHT ARE IN KILOGRAMM				
	NAME	SIGNATURE	DATE	REVISION
DRAWN	M.Rebase		20.03.2014	
APPV'D				

PART NUMBER / DWG NO.: **RS110**

DESCRIPTION:
Climbing structure HEXAGON

Tiptiptap OÜ
 Veetorni 9,
 Jüri alevik, Rae vald,
 75301 Harjumaa

MATERIAL:	wood, metal, plastic	A4
WEIGHT: 140 kg	SCALE: 1:10	SHEET 6 OF 6