

A

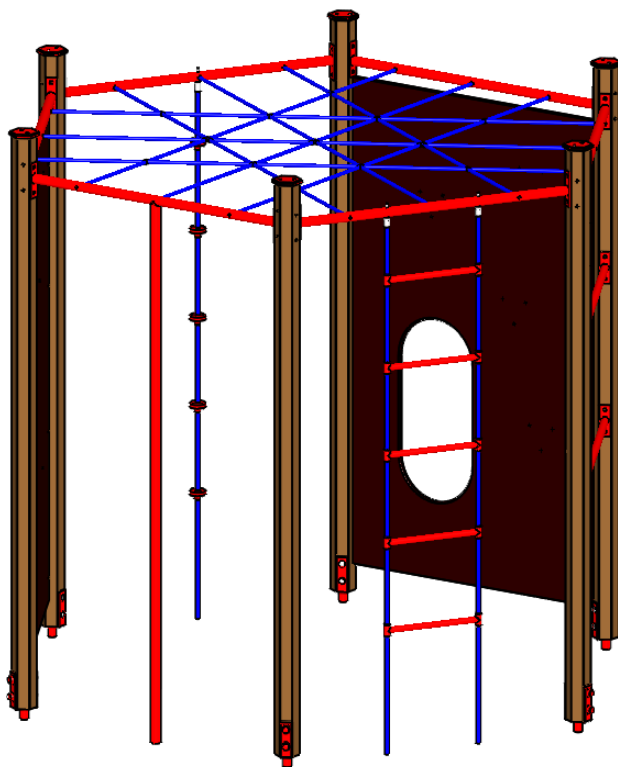
B

C

D

E

F



UNLESS OTHERWISE SPECIFIED:
 DIMENSIONS ARE IN MILLIMETERS
 WEIGHT ARE IN KILOGRAMM

PART NUMBER / DWG NO.:

RS110-1

	NAME	SIGNATURE	DATE	REVISION
DRAWN	M.Rebase		17.04.2014	
APPV'D				

DESCRIPTION:

Climbing frame HEXAGON 2



Tiptiptap OÜ

Tiptiptap OÜ
 Veetorni 9,
 Jüri alevik, Rae vald,
 75301 Harjumaa

MATERIAL:

wood, metal, plastic

A4

WEIGHT:

SCALE: 1:30

SHEET 1 OF 7

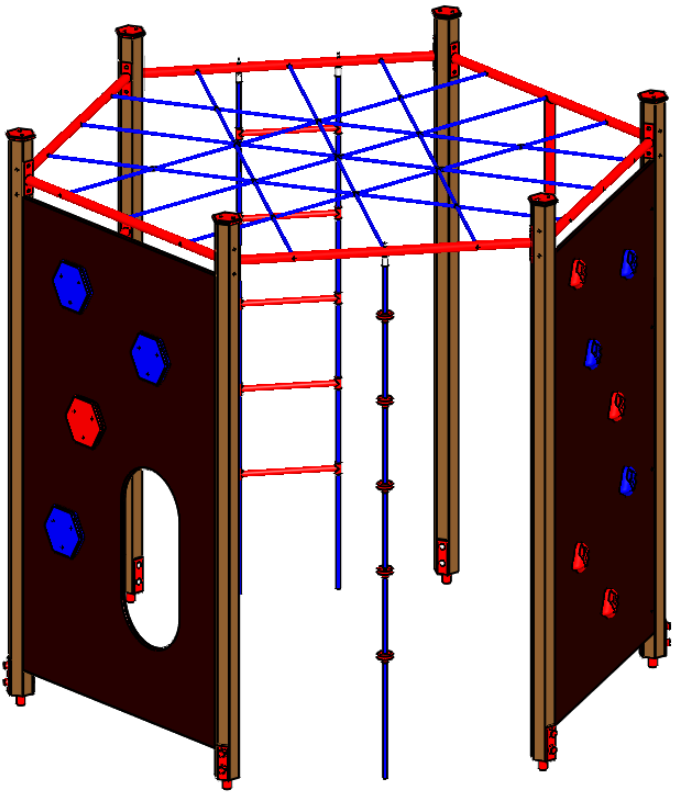
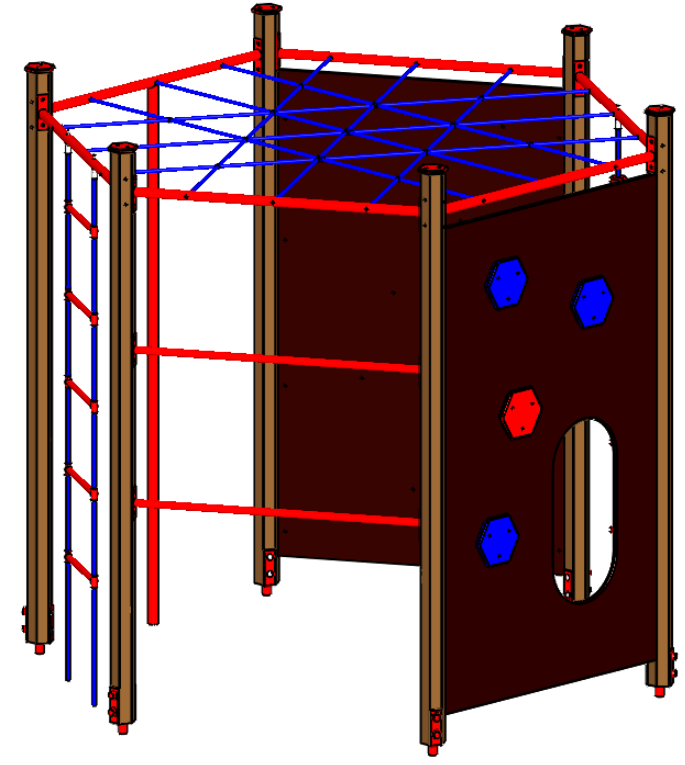
A

B

C

D

E



UNLESS OTHERWISE SPECIFIED:
 DIMENSIONS ARE IN MILLIMETERS
 WEIGHT ARE IN KILOGRAMM

	NAME	SIGNATURE	DATE	REVISION
DRAWN	M.Rebase		17.04.2014	
APPV'D				

PART NUMBER / DWG NO.:
 RS110-1

DESCRIPTION:
 Climbing frame HEXAGON 2

 **Tiptiptap** OÜ
 Veetorni 9,
 Jüri alevik, Rae vald,
 75301 Harjumaa

MATERIAL:	wood, metal, plastic	A4
WEIGHT:	SCALE: 1:30	SHEET 2 OF 7

safety area

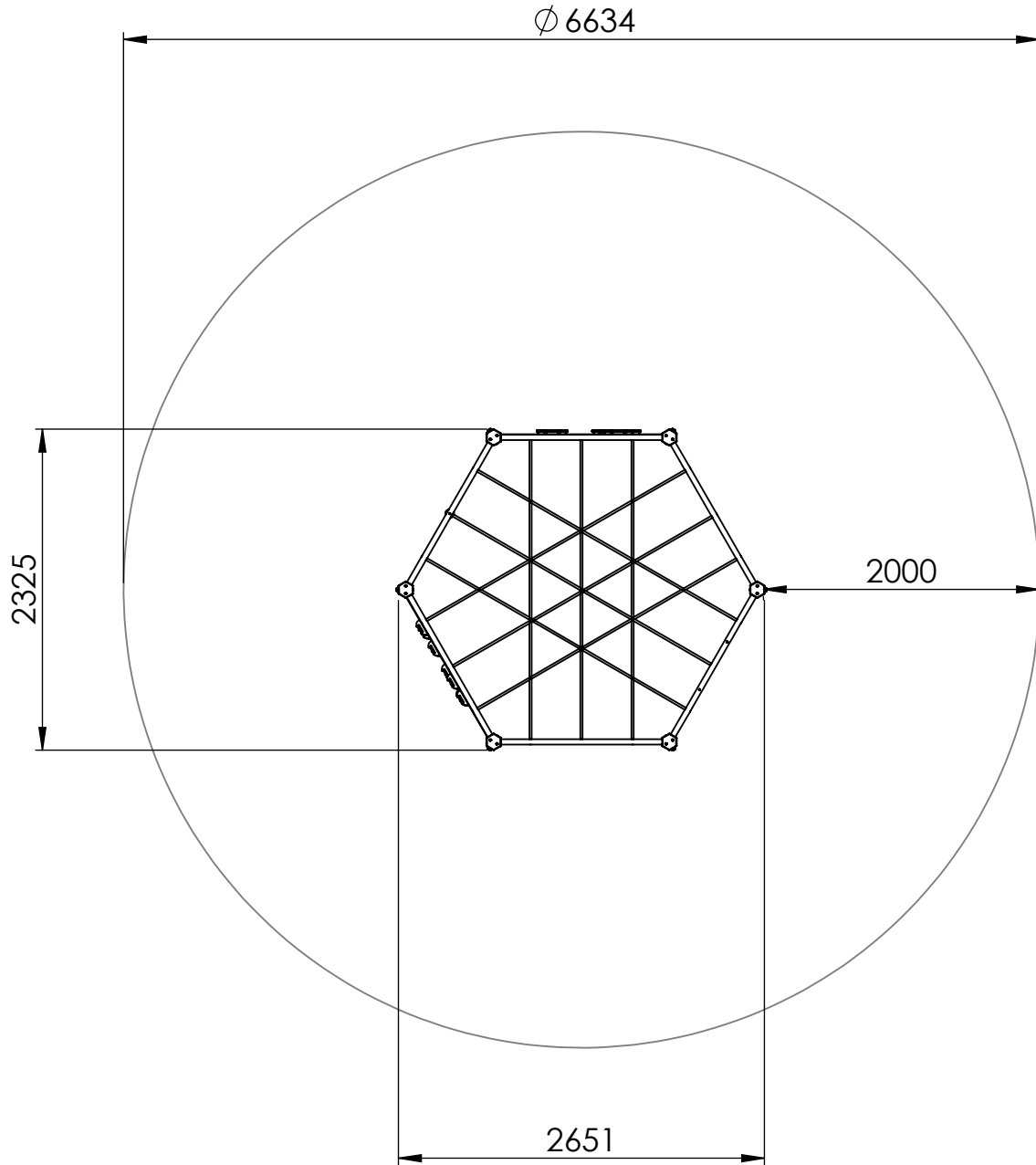
A

B

C

D

E



UNLESS OTHERWISE SPECIFIED:
DIMENSIONS ARE IN MILLIMETERS
WEIGHT ARE IN KILOGRAMM

PART NUMBER / DWG NO.:

RS110-1

	NAME	SIGNATURE	DATE	REVISION
DRAWN	M.Rebase		17.04.2014	
APPV'D				

DESCRIPTION:

Climbing frame HEXAGON 2

F



Tiptiptap OÜ

Tiptiptap OÜ
Veetorni 9,
Jüri alevik, Rae vald,
75301 Harjumaa

MATERIAL:

wood, metal, plastic

A4

WEIGHT:

SCALE: 1:50

SHEET 3 OF 7

A

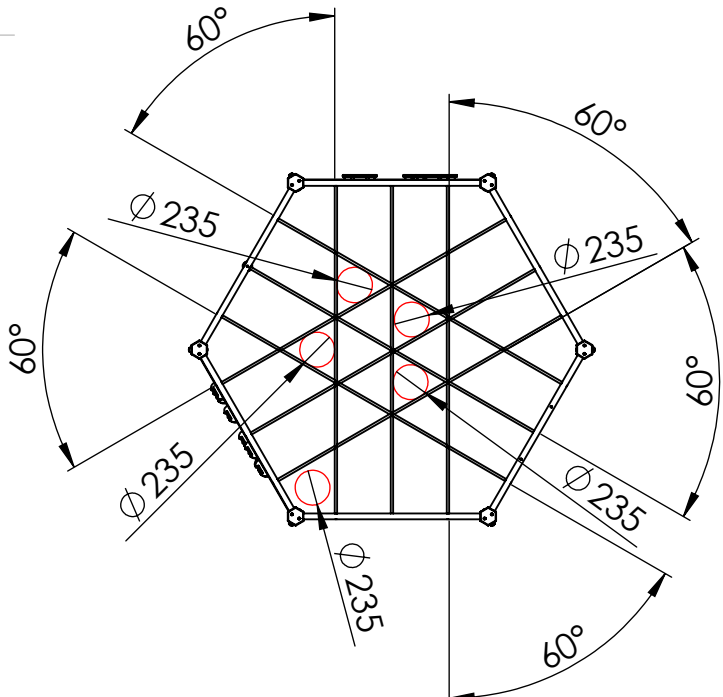
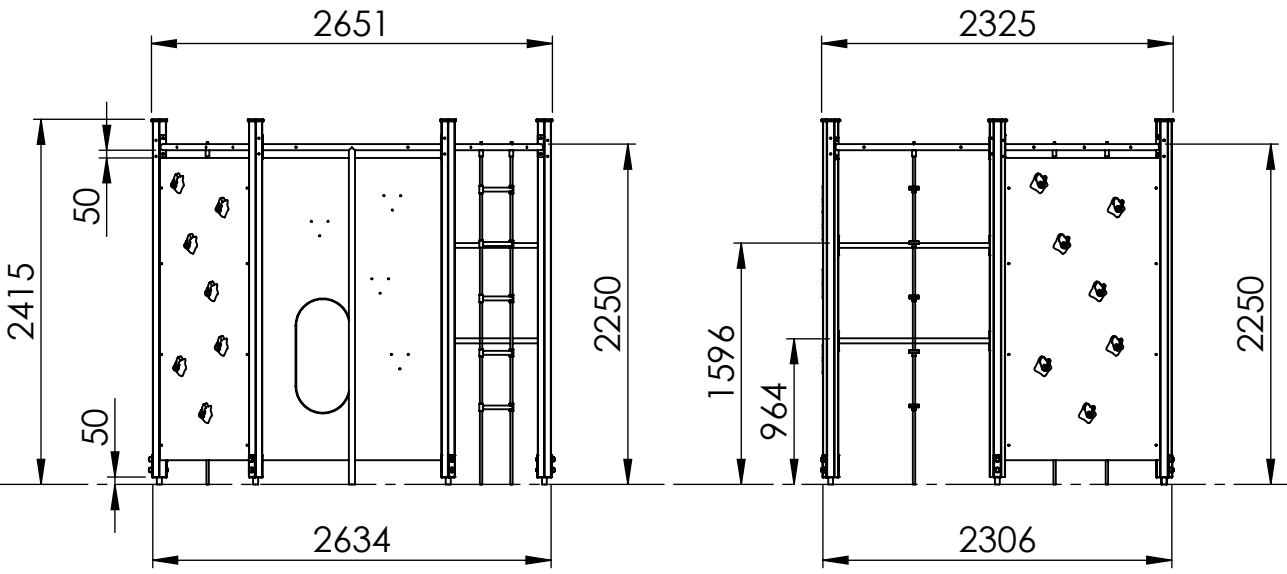
B

C

D

E

F



UNLESS OTHERWISE SPECIFIED:
 DIMENSIONS ARE IN MILLIMETERS
 WEIGHT ARE IN KILOGRAMM

PART NUMBER / DWG NO.: **RS110-1**

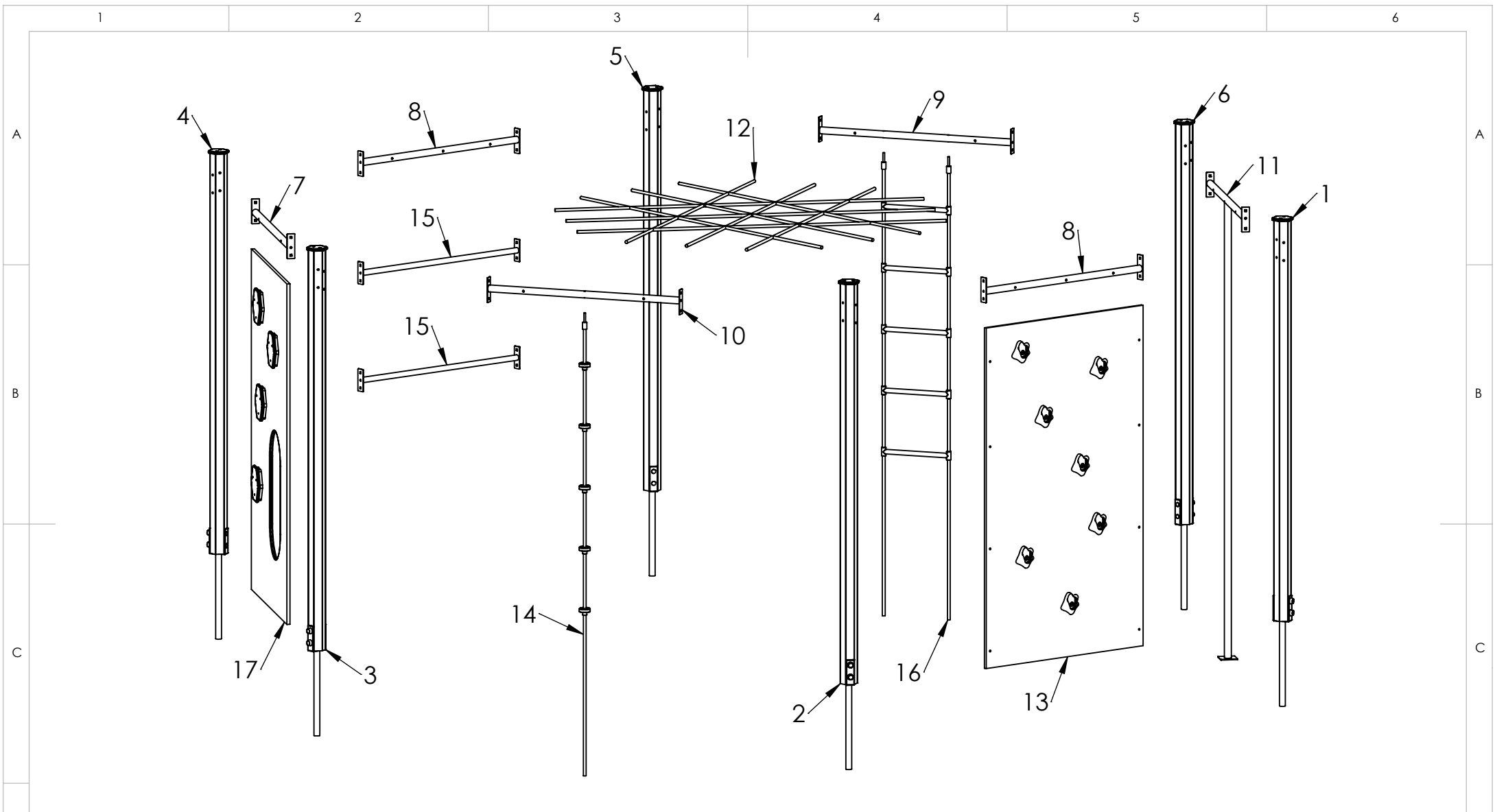
	NAME	SIGNATURE	DATE	REVISION
DRAWN	M.Rebase		17.04.2014	
APPV'D				


DESCRIPTION:
Climbing frame HEXAGON 2



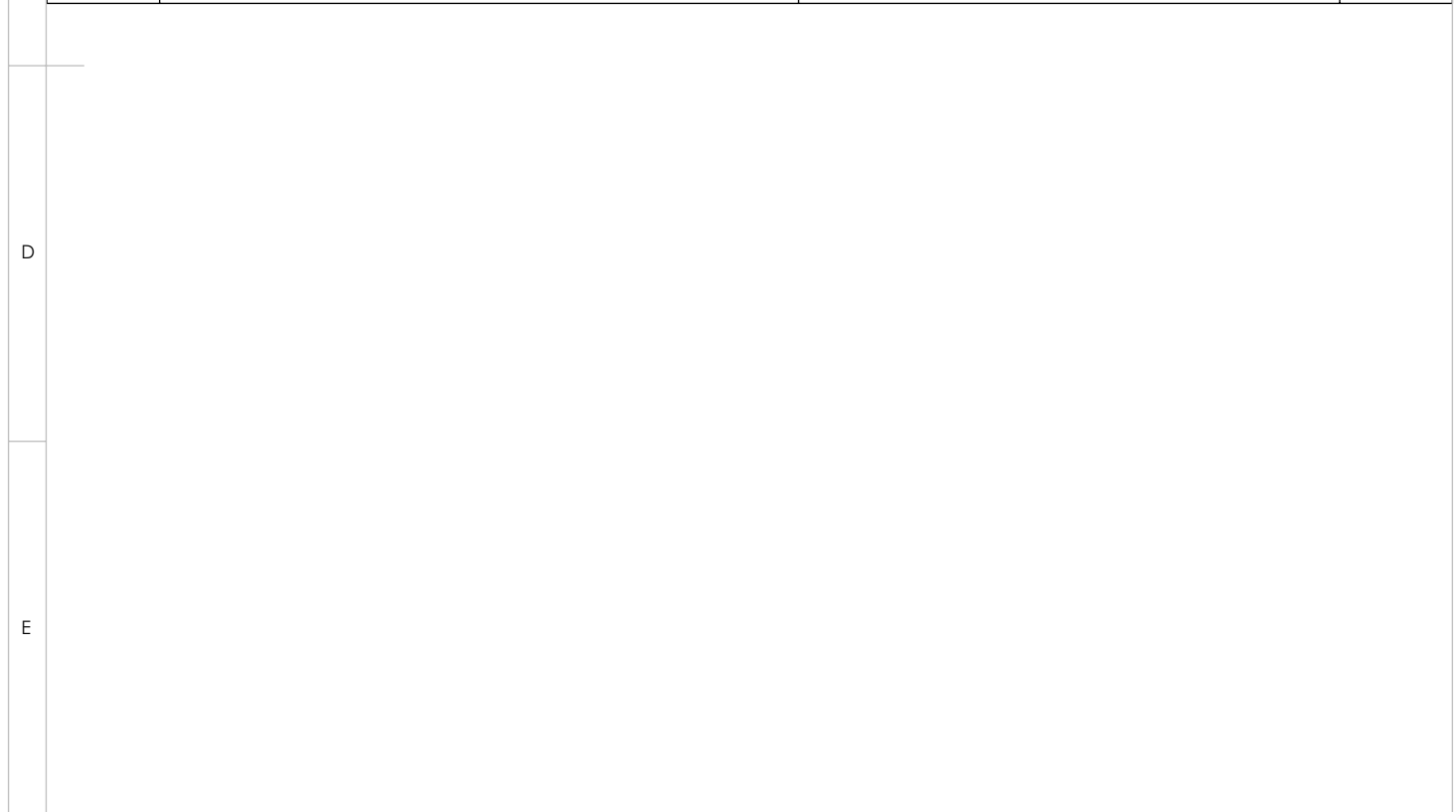
Tiptiptap OÜ
 Veetorni 9,
 Jüri alevik, Rae vald,
 75301 Harjumaa

MATERIAL:	wood, metal, plastic	A4
WEIGHT:	SCALE: 1:50	SHEET 5 OF 7



UNLESS OTHERWISE SPECIFIED: DIMENSIONS ARE IN MILLIMETERS WEIGHT ARE IN KILOGRAMM					PART NUMBER / DWG NO.: RS110-1	
	NAME	SIGNATURE	DATE	REVISION	DESCRIPTION: Climbing frame HEXAGON 2	
DRAWN	M.Rebase		17.04.2014			
APPV'D						
 Tiptap OÜ Tiptap OÜ Veetorni 9, Jüri alevik, Rae vald, 75301 Harjumaa					MATERIAL:	wood, metal, plastic
					WEIGHT:	SCALE: 1:30
					SHEET 6 OF 7	

ITEM NO.	PART NUMBER	DESCRIPTION	QTY.
1	post E	laminated wood	1
2	post F	laminated wood	1
3	post A	laminated wood	1
4	post B	laminated wood	1
5	post C	laminated wood	1
6	post D	laminated wood	1
7	beam A-B 40x1185	painted steel	1
8	beam B-C, E-F 40x1185	painted steel	2
9	beam C-D 40x1185	painted steel	1
10	beam F-A 40x1185	painted steel	1
11	T-toru (RS110-1)	painted steel	1
12	climbing net	PP covered steel wire	1
13	climbing wall with grips 1000x2000	plywood	1
14	climbing rope (RS110-1)	PP covered steel wire with plastic knot	1
15	beam 32x1185		2
16	rope ladder	PP covered steel wire with plastic rung	1
17	climbing wall 2 (RS110-1)	plywood	1



UNLESS OTHERWISE SPECIFIED:
DIMENSIONS ARE IN MILLIMETERS
WEIGHT ARE IN KILOGRAMM

PART NUMBER / DWG NO.:
RS110-1

	NAME	SIGNATURE	DATE	REVISION
DRAWN	M.Rebase		17.04.2014	
APPV'D				

DESCRIPTION:
Climbing frame HEXAGON 2



Tiptiptap OÜ
Veetorni 9,
Jüri alevik, Rae vald,
75301 Harjumaa

MATERIAL:	wood, metal, plastic	A4
WEIGHT:		SCALE: 1:30
		SHEET 7 OF 7