

A

B

C

D

E

F

UNLESS OTHERWISE SPECIFIED:  
DIMENSIONS ARE IN MILLIMETERS  
WEIGHT ARE IN KILOGRAMM

PART NUMBER / DWG NO.:

RS108

	NAME	SIGNATURE	DATE	REVISION
DRAWN	M.Rebase		23.09.2013	
APPV'D				

DESCRIPTION:

Climbing frame ATHLETES



**Tiptaptap** OÜ

Tiptaptap OÜ  
Veetorni 9,  
Jüri alevik, Rae vald,  
75301 Harjumaa

MATERIAL:

wood, metal, plastic

A4

WEIGHT:

SCALE: 1:25

SHEET 1 OF 15

# safety area

A

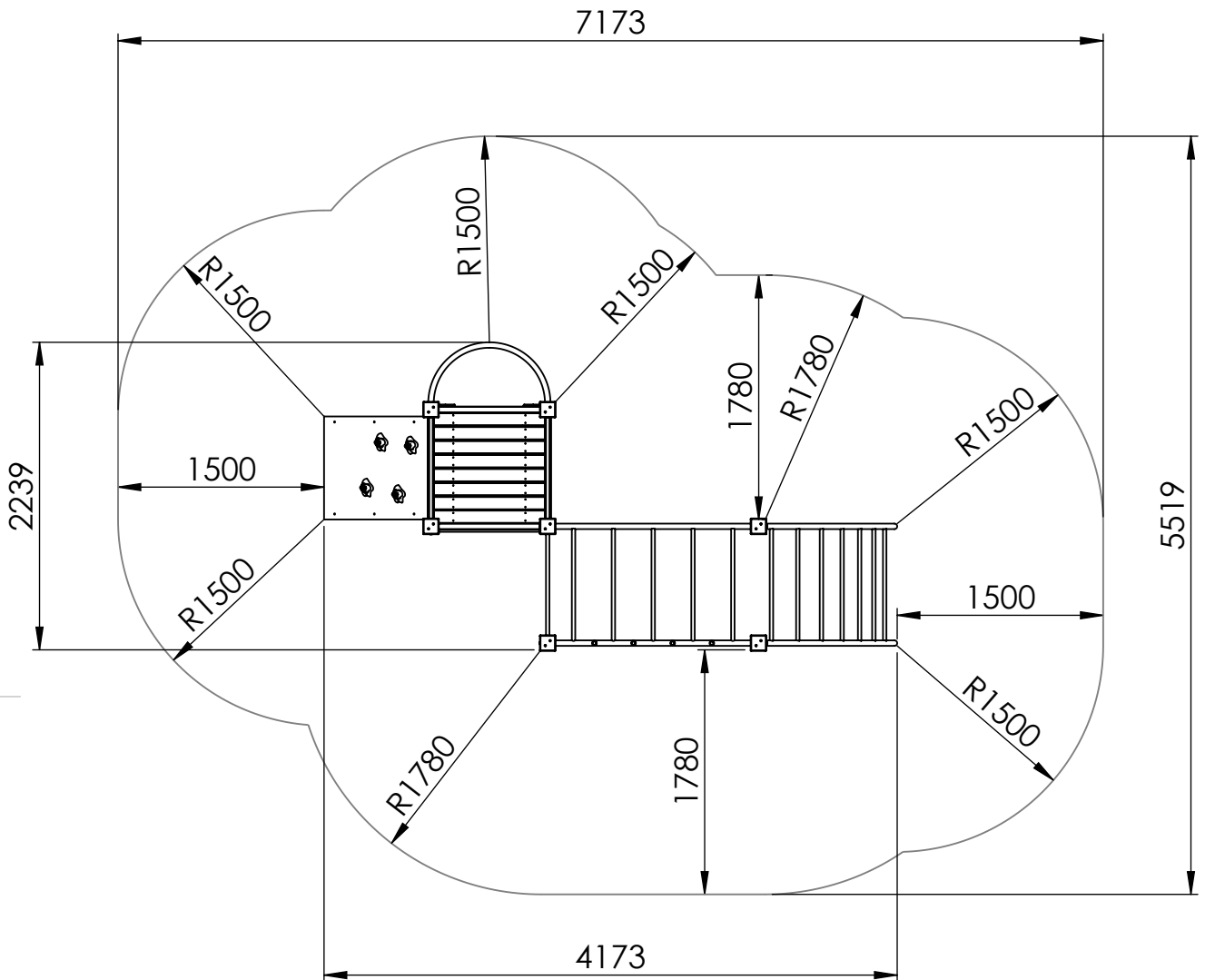
B

C

D

E

F



UNLESS OTHERWISE SPECIFIED:  
DIMENSIONS ARE IN MILLIMETERS  
WEIGHT ARE IN KILOGRAMM

PART NUMBER / DWG NO.:

RS108

	NAME	SIGNATURE	DATE	REVISION
DRAWN	M.Rebase		23.09.2013	
APPV'D				

DESCRIPTION:

Climbing frame ATHLETES



**Tiptaptap** OÜ

Tiptaptap OÜ  
Veetorni 9,  
Jüri alevik, Rae vald,  
75301 Harjumaa

MATERIAL:

wood, metal, plastic

A4

WEIGHT:

SCALE: 1:50

SHEET 2 OF 15

# foundation

A

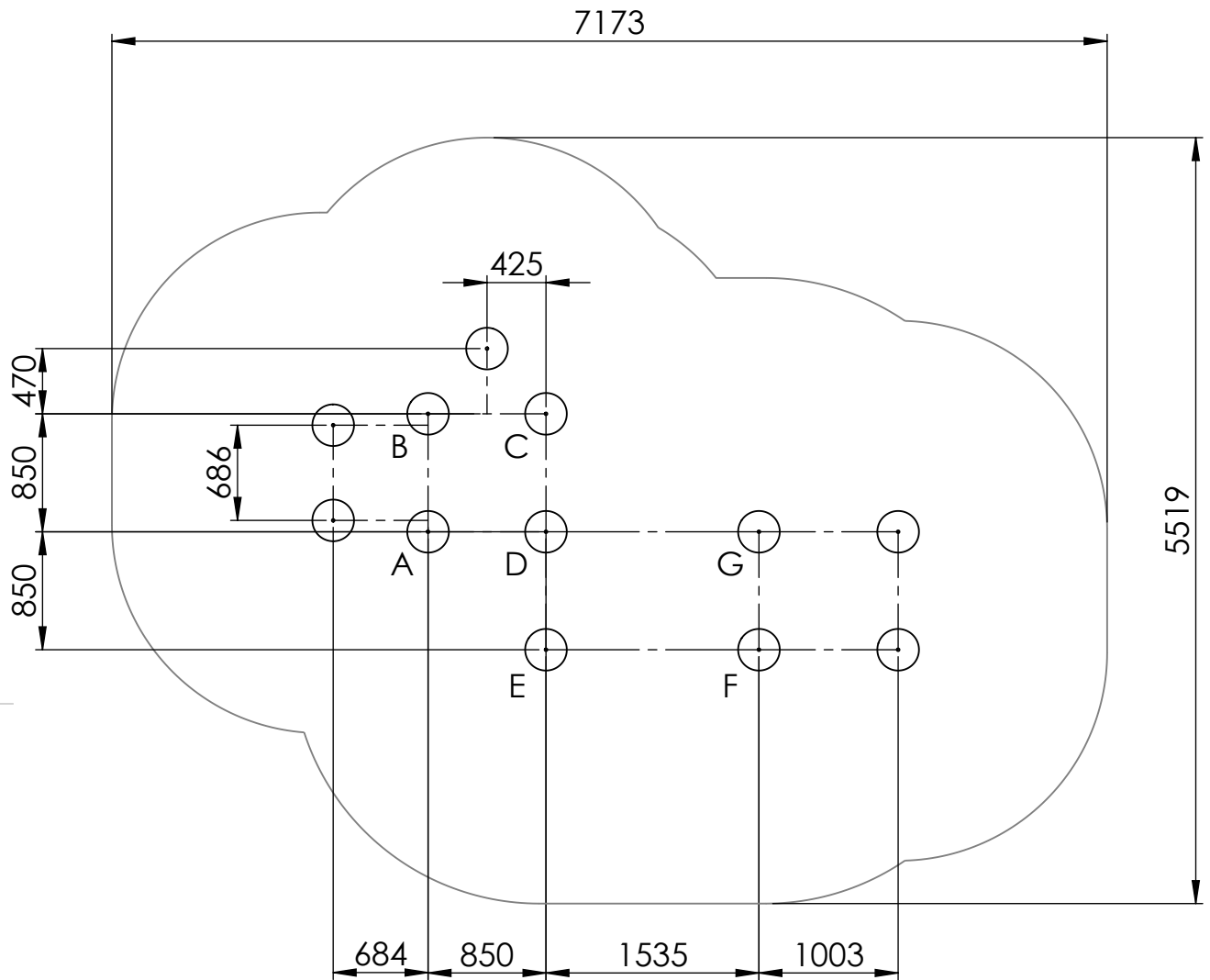
B

C

D

E

F



depth of foundation 500mm

UNLESS OTHERWISE SPECIFIED:  
DIMENSIONS ARE IN MILLIMETERS  
WEIGHT ARE IN KILOGRAMM

PART NUMBER / DWG NO.:

RS108

	NAME	SIGNATURE	DATE	REVISION
DRAWN	M.Rebase		23.09.2013	
APPV'D				

DESCRIPTION:

Climbing frame ATHLETES



**Tiptaptap** OÜ

Tiptaptap OÜ  
Veetorni 9,  
Jüri alevik, Rae vald,  
75301 Harjumaa

MATERIAL:

wood, metal, plastic

A4

WEIGHT:

SCALE: 1:50

SHEET 3 OF 15

A

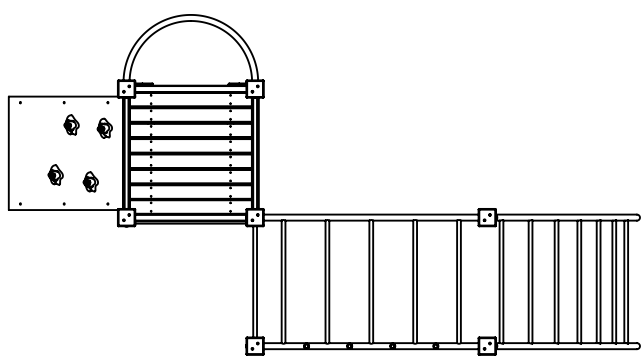
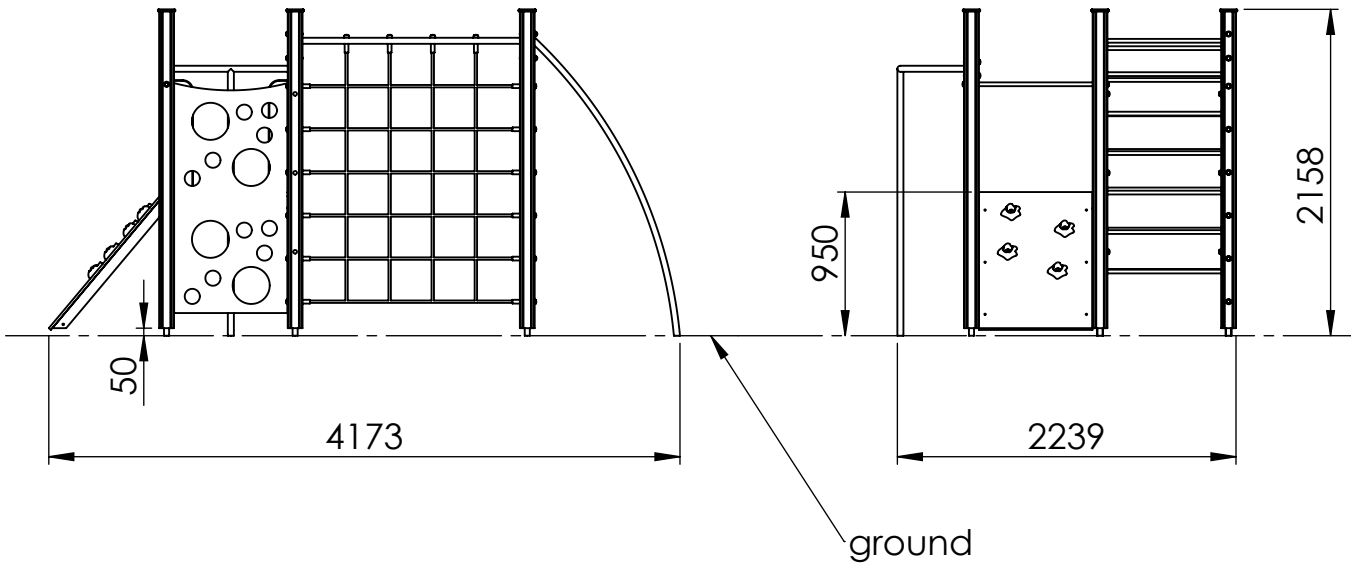
B

C

D

E

F



UNLESS OTHERWISE SPECIFIED:  
DIMENSIONS ARE IN MILLIMETERS  
WEIGHT ARE IN KILOGRAMM

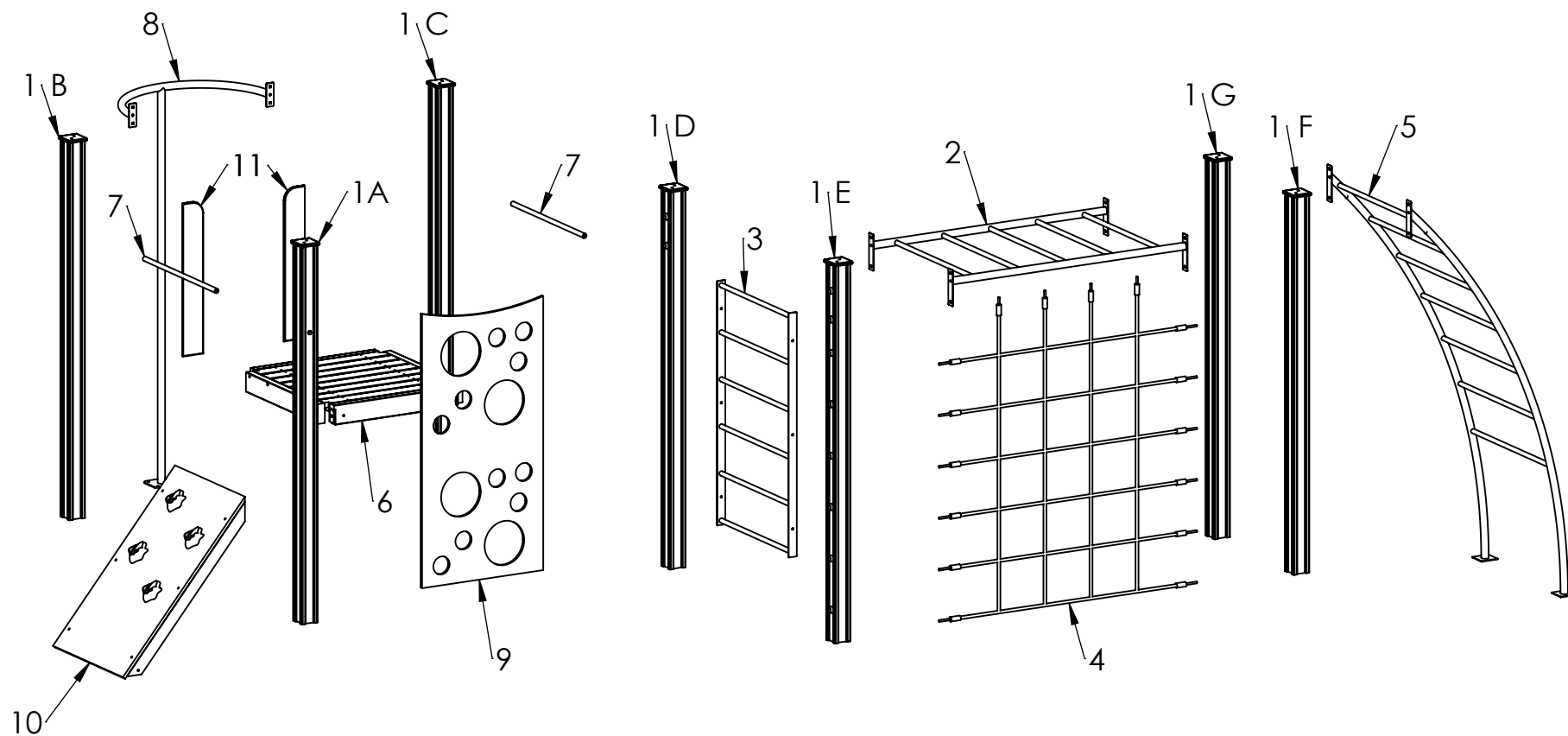
	NAME	SIGNATURE	DATE	REVISION
DRAWN	M.Rebase		23.09.2013	
APPV'D				

PART NUMBER / DWG NO.:	RS108
DESCRIPTION:	Climbing frame ATHLETES



**Tiptaptap** OÜ  
Veetorni 9,  
Jüri alevik, Rae vald,  
75301 Harjumaa

MATERIAL:	wood, metal, plastic	A4
WEIGHT:	SCALE: 1:50	SHEET 4 OF 15



UNLESS OTHERWISE SPECIFIED:  
 DIMENSIONS ARE IN MILLIMETERS  
 WEIGHT ARE IN KILOGRAMM

	NAME	SIGNATURE	DATE	REVISION
DRAWN	M.Rebase		23.09.2013	
APPV'D				

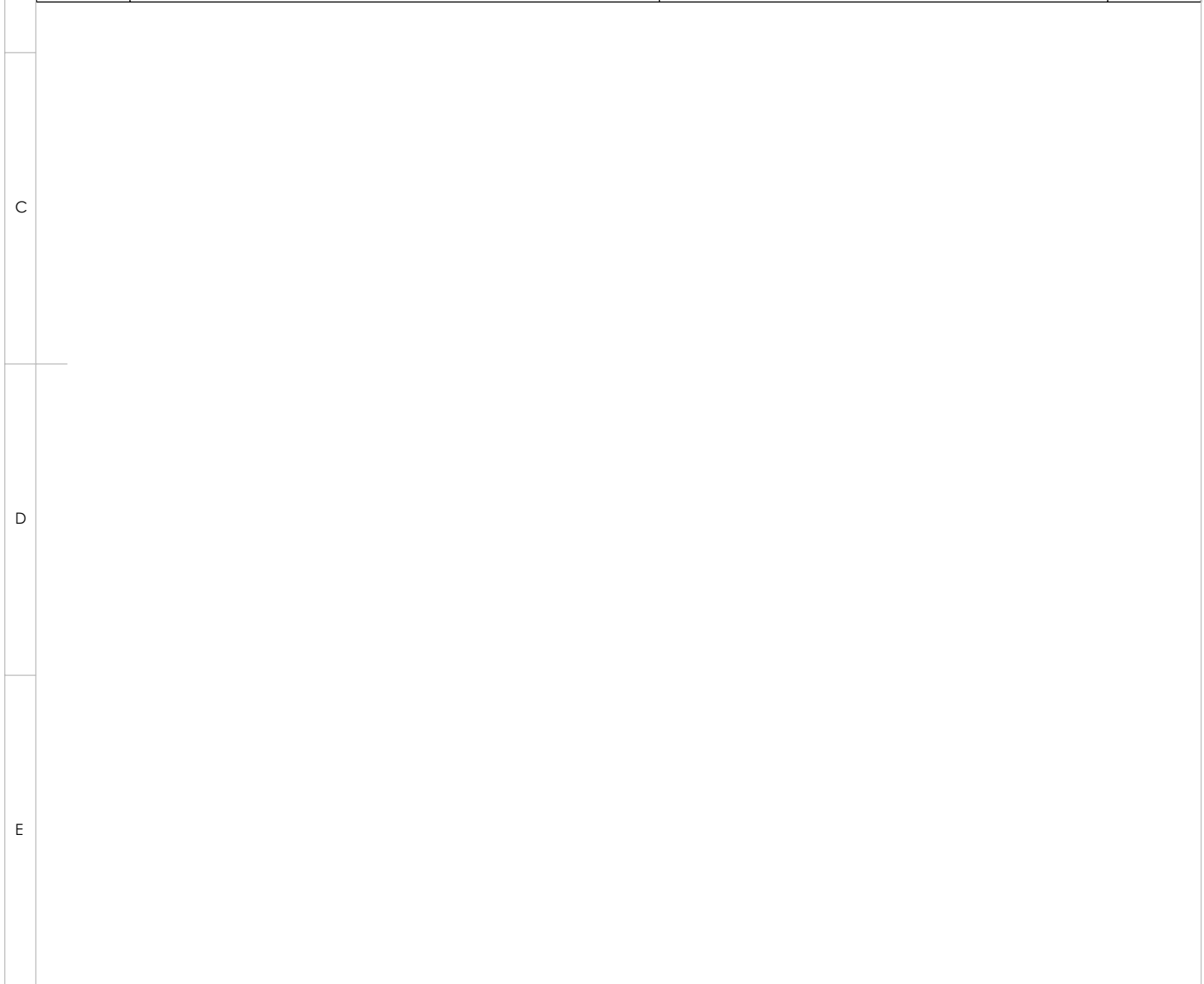

**Tiptap** OÜ  
 Veetorni 9,  
 Jüri alevik, Rae vald,  
 75301 Harjumaa

PART NUMBER / DWG NO.:  
**RS108**

DESCRIPTION:  
**Climbing frame ATHLETES**

MATERIAL:	wood, metal, plastic	A4
WEIGHT:		SCALE: 1:35
		SHEET 5 OF 15

ITEM NO.	PART NUMBER	DESCRIPTION	QTY.
1	post 98x98x2100	laminated wood	7
2	ladder_horizontal	painted steel	1
3	ladder_vertical	painted steel	1
4	climbing net	PP covered steel wire	1
5	arch ladder	painted steel	1
6	platform	laminated wood, metal	1
7	guardrail $\phi$ 25x770	painted steel	2
8	climbing pole	painted steel	1
9	climbing wall	plywood	1
10	climbing ramp	plywood	1
11	panel 850x126	plywood	2



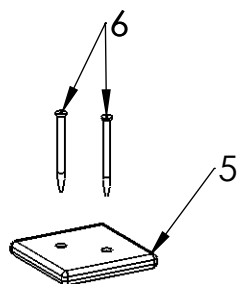
UNLESS OTHERWISE SPECIFIED: DIMENSIONS ARE IN MILLIMETERS WEIGHT ARE IN KILOGRAMM				PART NUMBER / DWG NO.:	
				RS108	
	NAME	SIGNATURE	DATE	REVISION	
DRAWN	M.Rebase		23.09.2013		
APPV'D					
				DESCRIPTION:	
				Climbing frame ATHLETES	
				MATERIAL:	A4
				wood, metal, plastic	
				WEIGHT:	SHEET 6 OF 15
					SCALE: 1:40



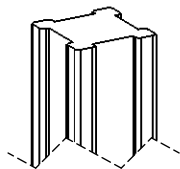
**Tiptaptap** OÜ

Tiptaptap OÜ  
Veetorni 9,  
Jüri alevik, Rae vald,  
75301 Harjumaa

A

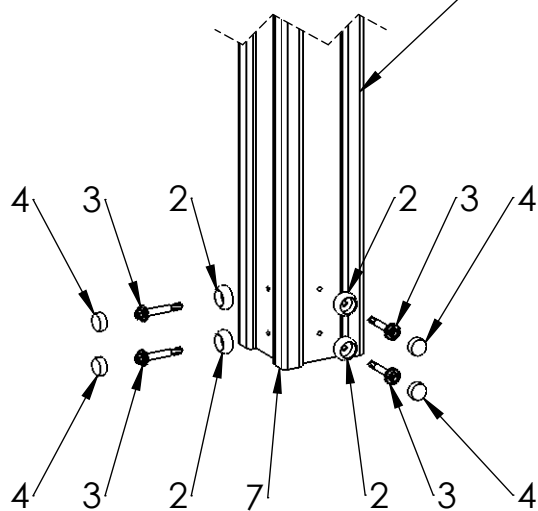


B

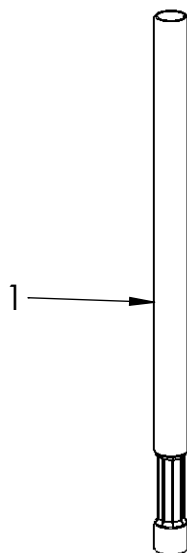


post

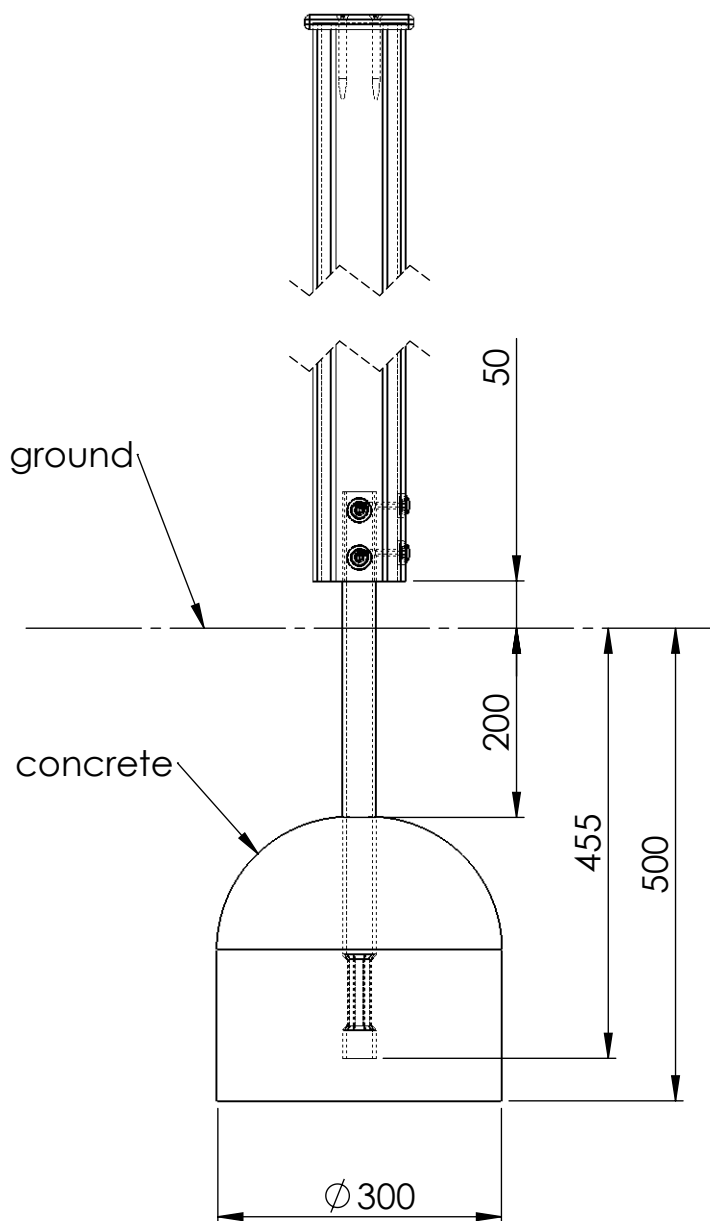
C



D



E



ITEM NO.	PART NUMBER
1	metal ground fixing L_600
2	nut cover M6
3	screw DIN7504K 5,5x50
4	nut cover cap M6
5	plastic cap 115x115
6	Woodscrew 6 x 90

UNLESS OTHERWISE SPECIFIED:  
DIMENSIONS ARE IN MILLIMETERS  
WEIGHT ARE IN KILOGRAMM

PART NUMBER / DWG NO.:

RS108

	NAME	SIGNATURE	DATE	REVISION
DRAWN	M.Rebase		23.09.2013	
APPV'D				

DESCRIPTION:

Climbing frame ATHLETES  
connecting metal ground fixing to post

MATERIAL:

wood, metal, plastic

A4

WEIGHT:

SCALE: 1:8

SHEET 7 OF 15



**Tiptaptap** OÜ

Tiptaptap OÜ  
Veetorni 9,  
Jüri alevik, Rae vald,  
75301 Harjumaa

A

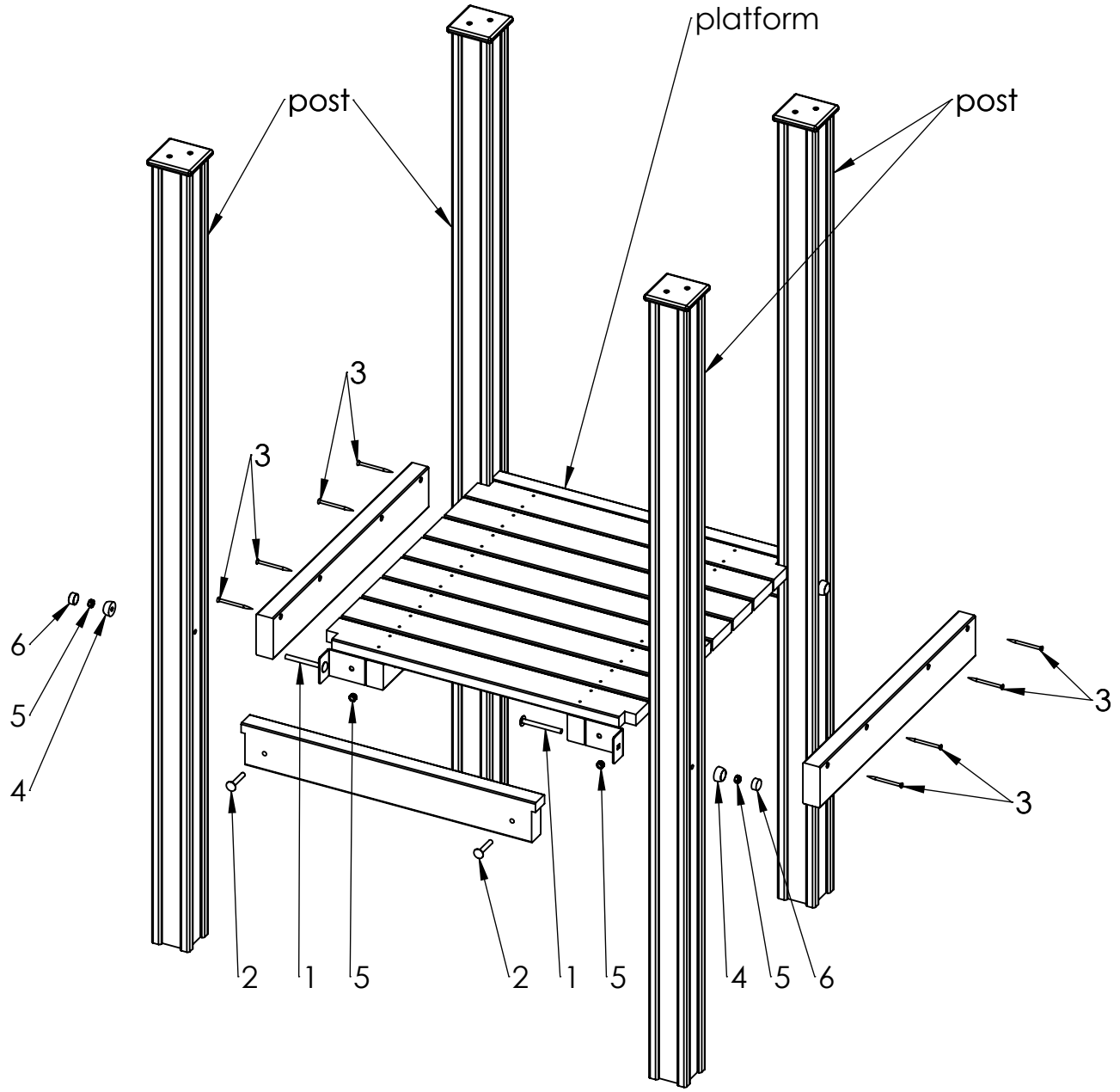
B

C

D

E

F



ITEM NO.	PART NUMBER
1	bolt DIN603 M10x100
2	bolt DIN603 M10x60
3	woodscrew 6 x 90
4	nut cover M10
5	nut DIN985 M10
6	nut cover cap M10

UNLESS OTHERWISE SPECIFIED:  
 DIMENSIONS ARE IN MILLIMETERS  
 WEIGHT ARE IN KILOGRAMM

	NAME	SIGNATURE	DATE	REVISION
DRAWN	M.Rebase		23.09.2013	
APPV'D				

PART NUMBER / DWG NO.:  
**RS108**

DESCRIPTION:  
**Climbing frame ATHLETES  
 connecting platform to post**



**Tiptaptap** OÜ  
 Veetorni 9,  
 Jüri alevik, Rae vald,  
 75301 Harjumaa

MATERIAL: wood, metal, plastic	A4
WEIGHT:	SCALE: 1:15
	SHEET 8 OF 15



A

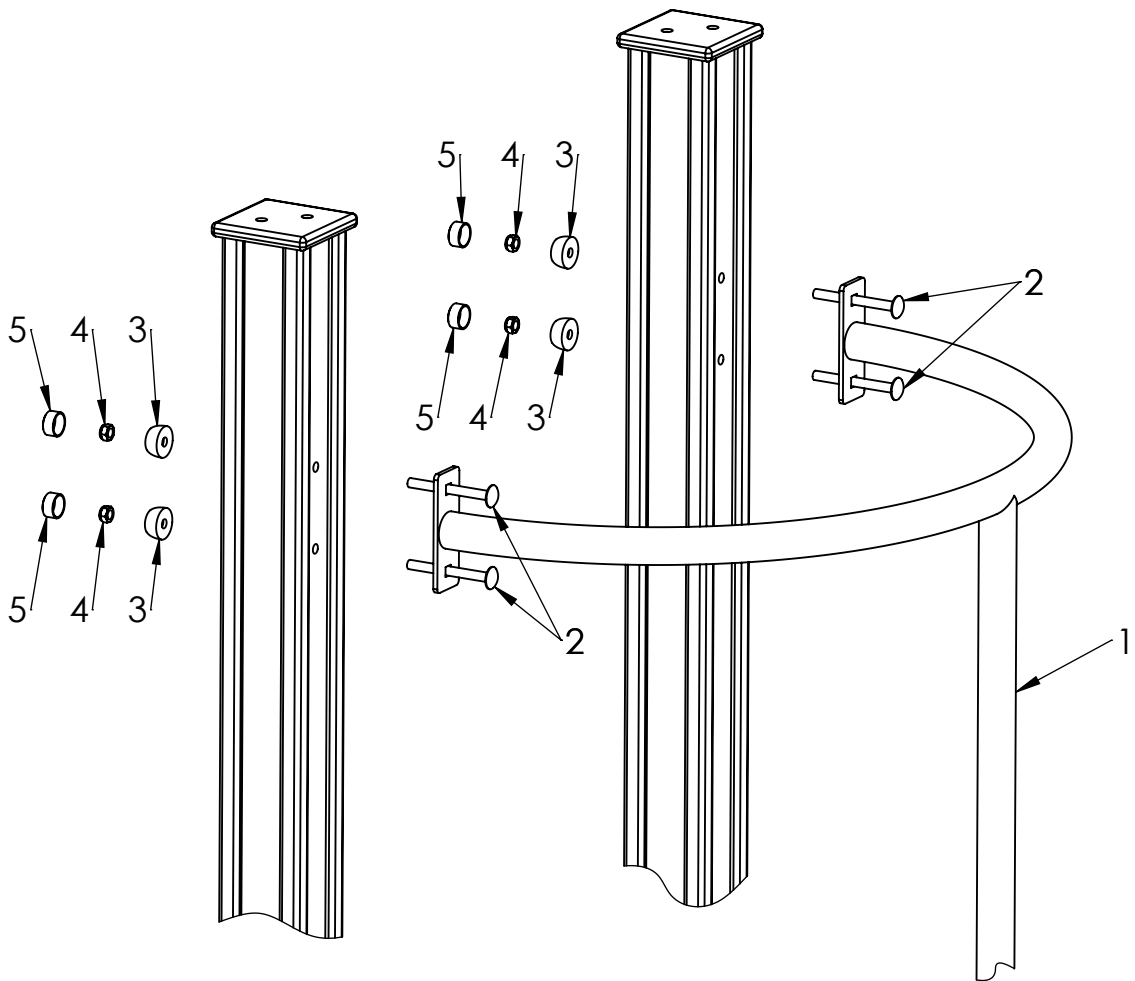
B

C

D

E

F



ITEM NO.	PART NUMBER
1	climbing pole
2	bolt DIN603 M10x100
3	nut cover M10
4	nut DIN985 M10
5	nut cover cap M10

UNLESS OTHERWISE SPECIFIED:  
DIMENSIONS ARE IN MILLIMETERS  
WEIGHT ARE IN KILOGRAMM

PART NUMBER / DWG NO.:

RS108

	NAME	SIGNATURE	DATE	REVISION
DRAWN	M.Rebase		23.09.2013	
APPV'D				

DESCRIPTION:

Climbing frame ATHLETES  
connecting climbing pole to post

MATERIAL:

wood, metal, plastic

A4

WEIGHT:

SCALE: 1:8

SHEET 9 OF 15



**Tiptap** OÜ

Tiptap OÜ  
Veetorni 9,  
Jüri alevik, Rae vald,  
75301 Harjumaa

A

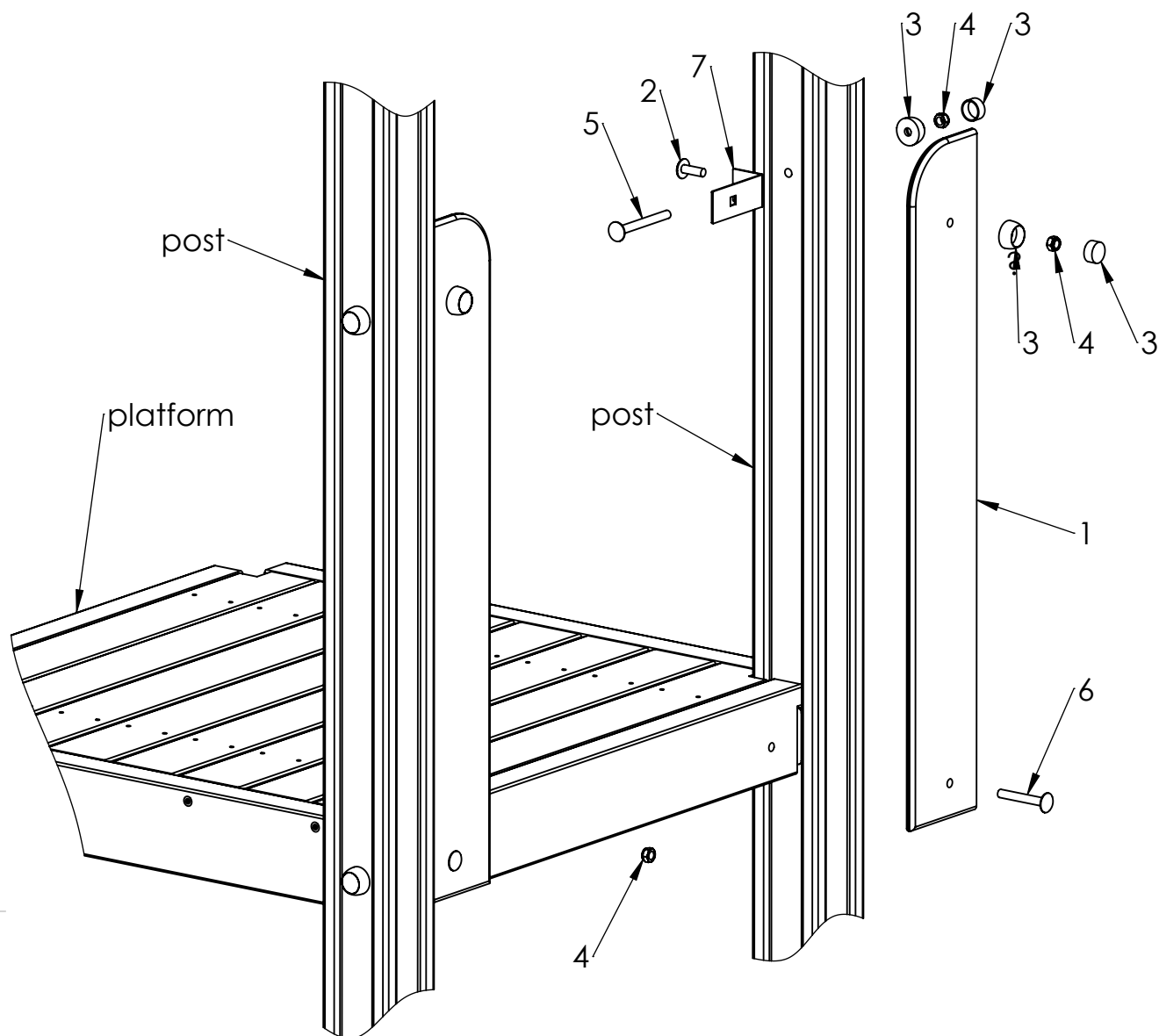
B

C

D

E

F



ITEM NO.	PART NUMBER
1	panel 850x126
2	bolt DIN603 M10x30
3	nut cover with cap
4	nut DIN985 M10
5	bolt DIN603 M10x100
6	bolt DIN603 M10x70
7	slide side panel fixing 40x100

UNLESS OTHERWISE SPECIFIED:  
DIMENSIONS ARE IN MILLIMETERS  
WEIGHT ARE IN KILOGRAMM

	NAME	SIGNATURE	DATE	REVISION
DRAWN	M.Rebase		23.09.2013	
APPV'D				

PART NUMBER / DWG NO.:

RS108

DESCRIPTION:

Climbing frame ATHLETES  
connecting climbing pole side panels

MATERIAL:

wood, metal, plastic

A4

WEIGHT:

SCALE: 1:8

SHEET 10 OF 15



**Tiptaptap** OÜ

Tiptaptap OÜ  
Veetorni 9,  
Jüri alevik, Rae vald,  
75301 Harjumaa

A

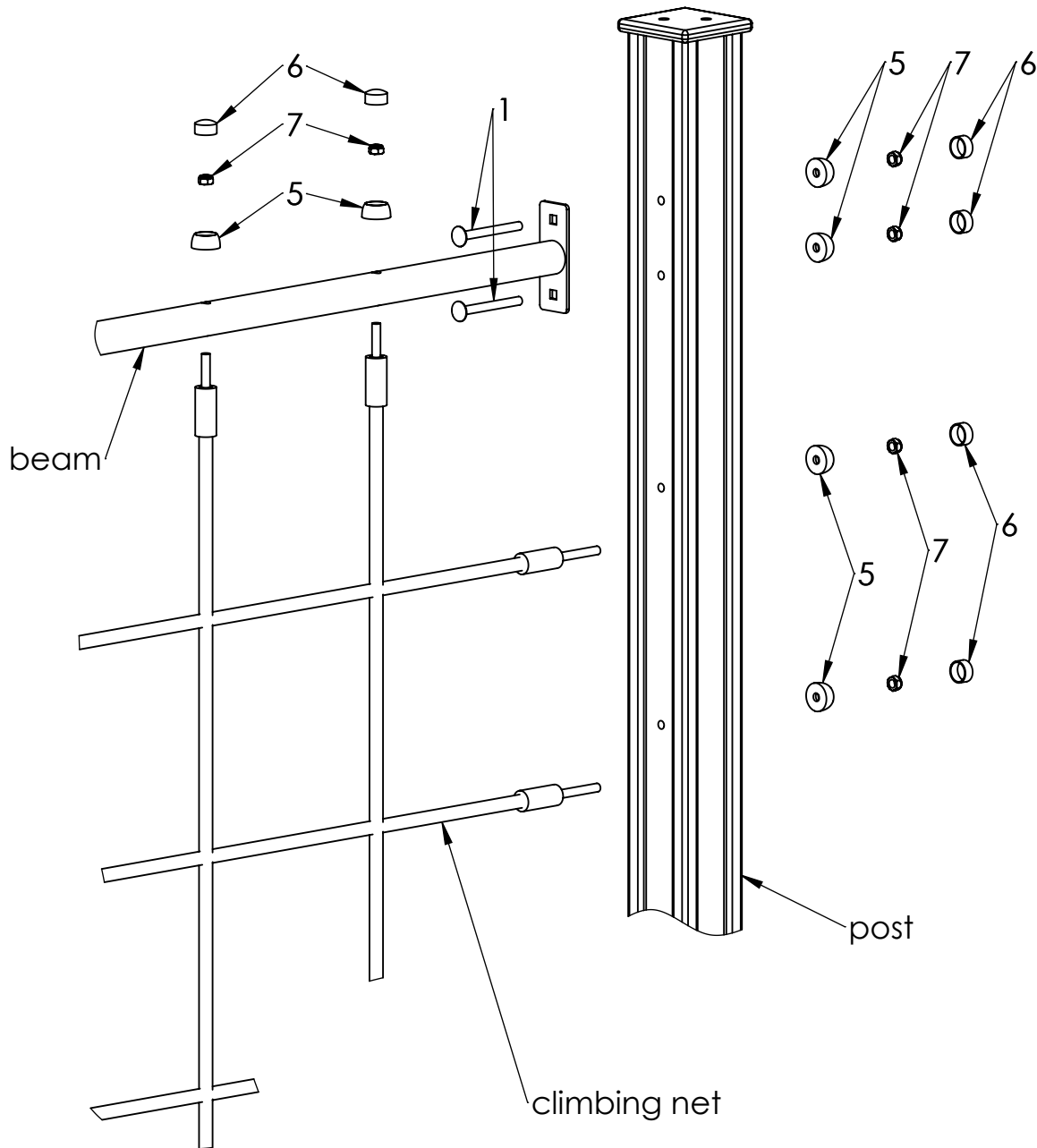
B

C

D

E

F



ITEM NO.	PART NUMBER
1	bolt DIN603 M10x100
5	nut cover M10
6	nut cover cap M10
7	nut DIN985 M10

UNLESS OTHERWISE SPECIFIED:  
DIMENSIONS ARE IN MILLIMETERS  
WEIGHT ARE IN KILOGRAMM

PART NUMBER / DWG NO.:

RS108

	NAME	SIGNATURE	DATE	REVISION
DRAWN	M.Rebase		23.09.2013	
APPV'D				

DESCRIPTION:

Climbing frame ATHLETES  
connecting beam and climbing net to post

MATERIAL:

wood, metal, plastic

A4

WEIGHT:

SCALE: 1:8

SHEET 11 OF 15



**Tiptap** OÜ

Tiptap OÜ  
Veetorni 9,  
Jüri alevik, Rae vald,  
75301 Harjumaa

A

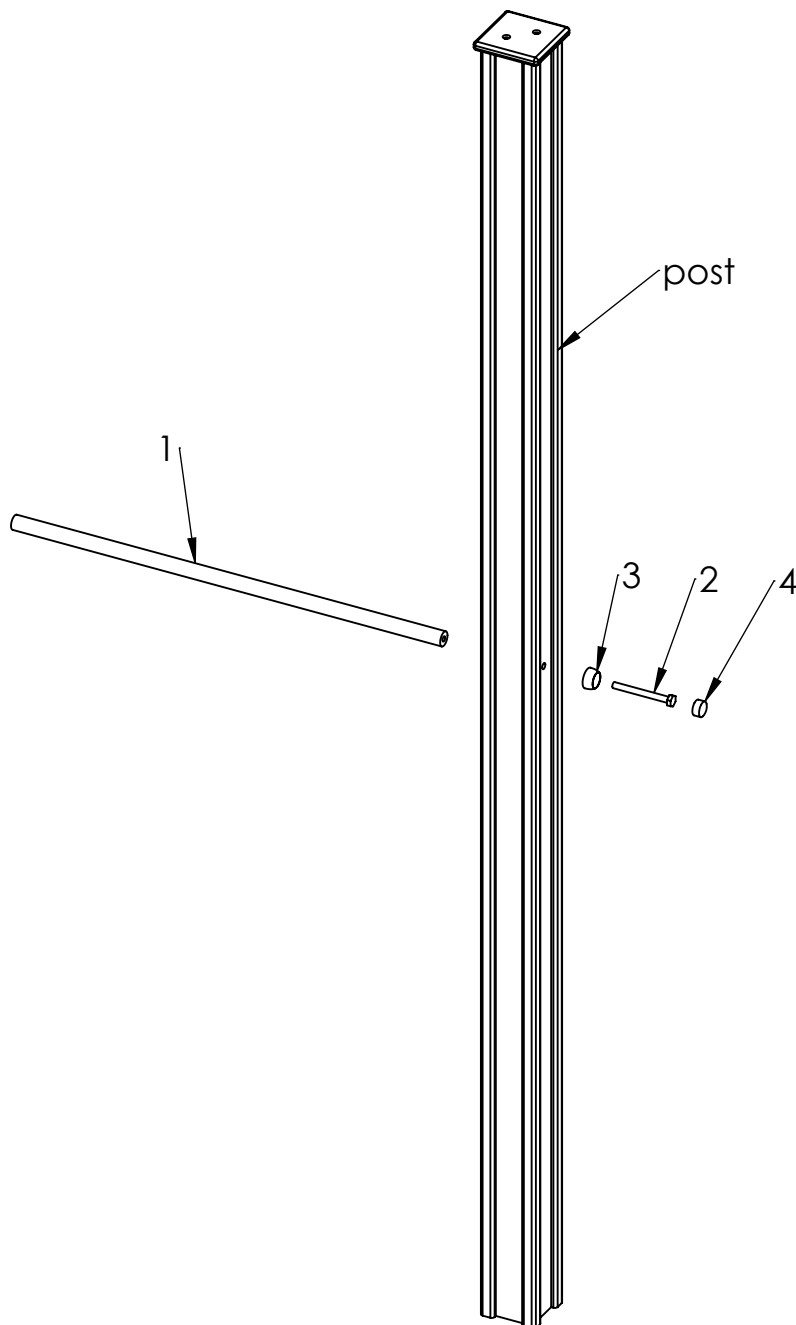
B

C

D

E

F



ITEM NO.	PART NUMBER
1	guardrail $\phi$ 25x770
2	bolt DIN931 M10x100
3	nut cover M10
4	nut cover cap M10

UNLESS OTHERWISE SPECIFIED:  
DIMENSIONS ARE IN MILLIMETERS  
WEIGHT ARE IN KILOGRAMM

	NAME	SIGNATURE	DATE	REVISION
DRAWN	M.Rebase		23.09.2013	
APPV'D				

PART NUMBER / DWG NO.:

RS108  
connecting guardrail to post

DESCRIPTION:

Climbing frame ATHLETES

MATERIAL:

wood, metal, plastic

A4

WEIGHT:

SCALE: 1:12

SHEET 12 OF 15



**Tiptap** OÜ

Tiptap OÜ  
Veetorni 9,  
Jüri alevik, Rae vald,  
75301 Harjumaa

A

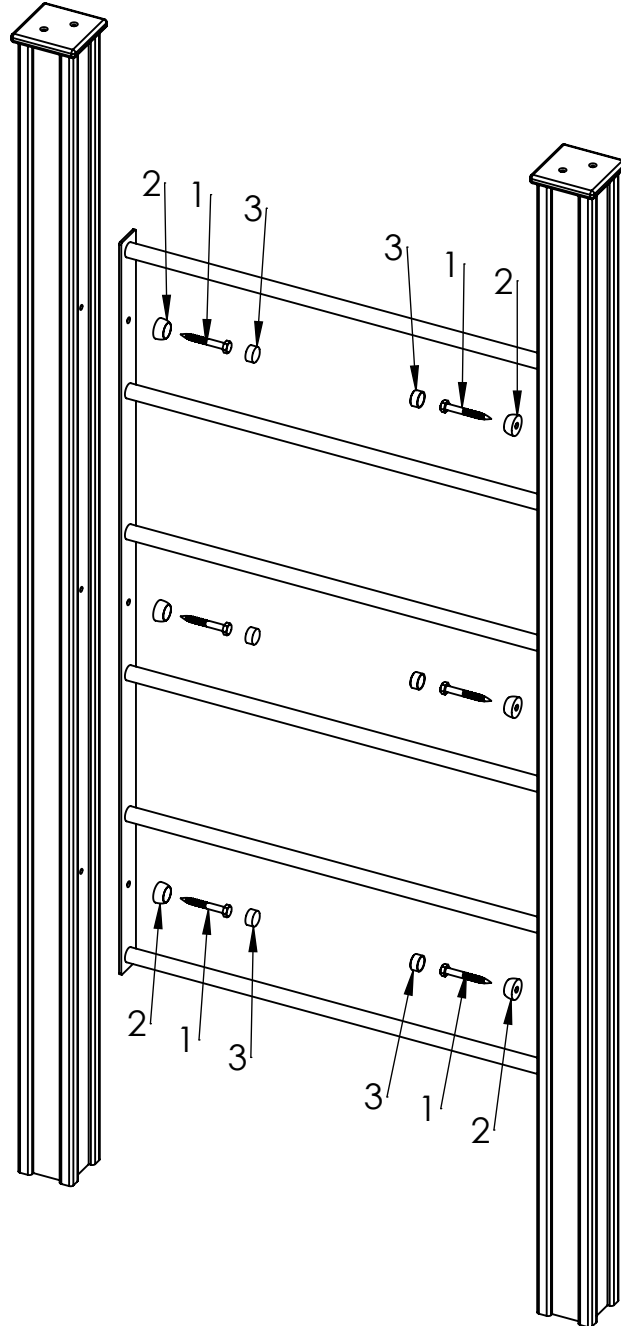
B

C

D

E

F



ITEM NO.	PART NUMBER
1	wood screw DIN571 10x80
2	nut cover M10
3	nut cover cap M10

UNLESS OTHERWISE SPECIFIED: DIMENSIONS ARE IN MILLIMETERS WEIGHT ARE IN KILOGRAMM				
	NAME	SIGNATURE	DATE	REVISION
DRAWN	M.Rebase		23.09.2013	
APPV'D				

PART NUMBER / DWG NO.: **RS108**

DESCRIPTION:  
**Climbing frame ATHLETES  
connecting ladder to post**



**Tiptaptap** OÜ  
Veetorni 9,  
Jüri alevik, Rae vald,  
75301 Harjumaa

MATERIAL:	wood, metal, plastic	A4
WEIGHT:		SCALE: 1:12
		SHEET 13 OF 15

A

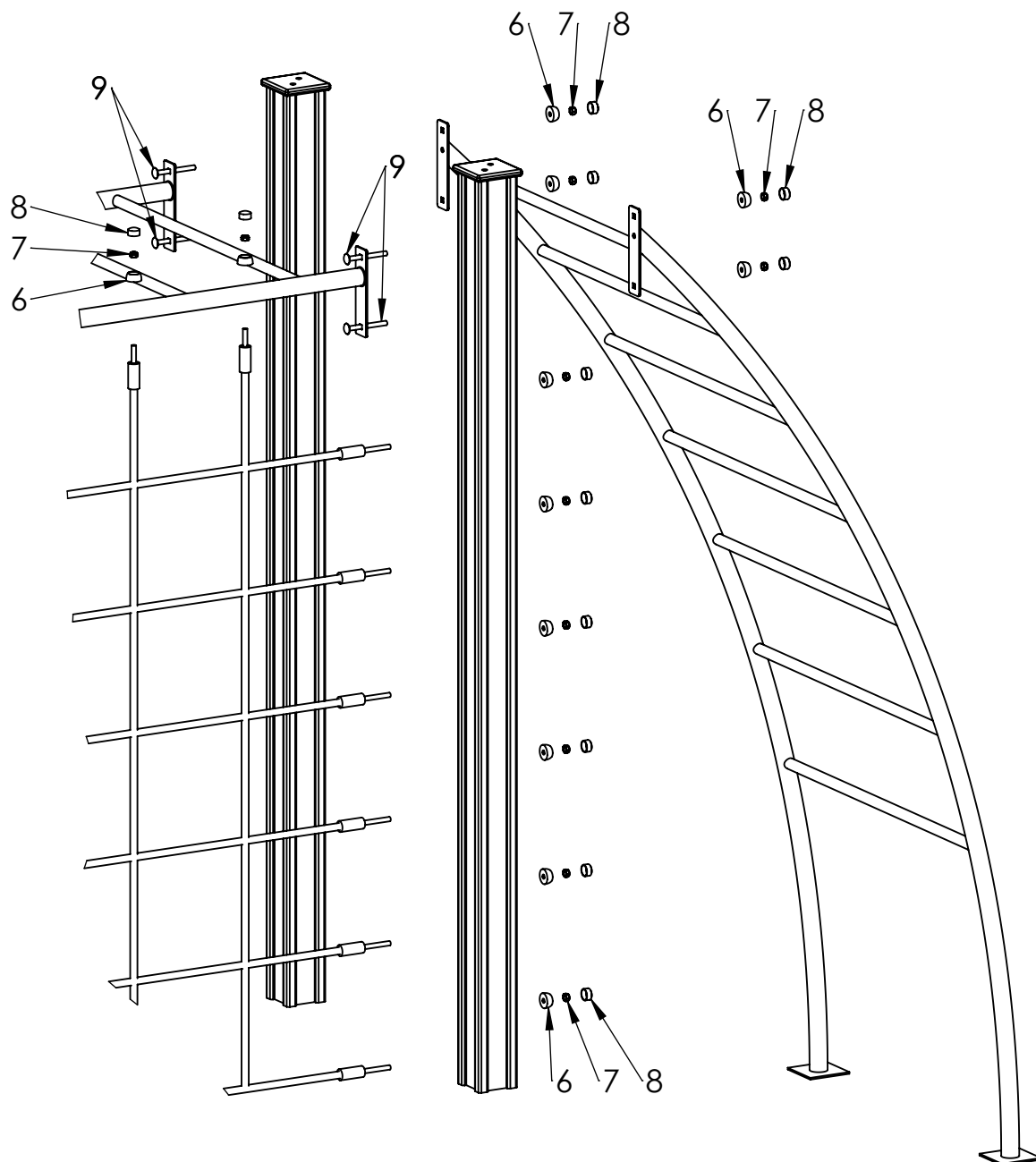
B

C

D

E

F



ITEM NO.	PART NUMBER
2	ladder_horizontal
3	ladder_vertical
4	climbing net
6	nut cover M10
7	nut DIN985 M10
8	nut cover cap M10
9	bolt DIN603 M10x100

UNLESS OTHERWISE SPECIFIED:  
DIMENSIONS ARE IN MILLIMETERS  
WEIGHT ARE IN KILOGRAMM

	NAME	SIGNATURE	DATE	REVISION
DRAWN	M.Rebase		23.09.2013	
APPV'D				

PART NUMBER / DWG NO.:

RS108

DESCRIPTION:

Climbing frame ATHLETES  
connecting climbing net and arch ladder

MATERIAL:

wood, metal, plastic

A4

WEIGHT:

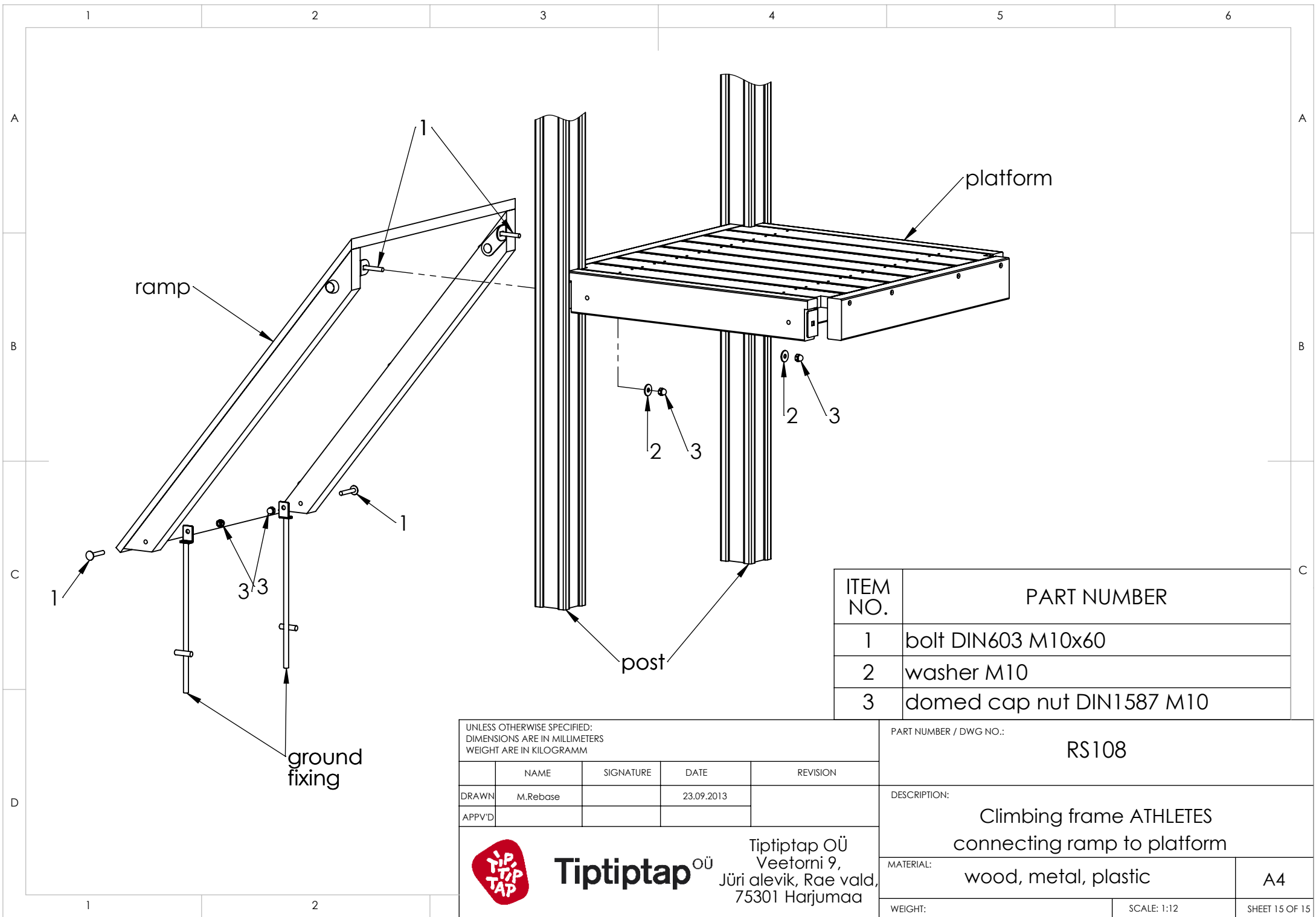
SCALE: 1:15

SHEET 14 OF 15



**Tiptaptap** OÜ

Tiptaptap OÜ  
Veetorni 9,  
Jüri alevik, Rae vald,  
75301 Harjumaa



ITEM NO.	PART NUMBER
1	bolt DIN603 M10x60
2	washer M10
3	domed cap nut DIN1587 M10

UNLESS OTHERWISE SPECIFIED:  
 DIMENSIONS ARE IN MILLIMETERS  
 WEIGHT ARE IN KILOGRAMM

	NAME	SIGNATURE	DATE	REVISION
DRAWN	M.Rebase		23.09.2013	
APPV'D				

PART NUMBER / DWG NO.:  
**RS108**

DESCRIPTION:  
**Climbing frame ATHLETES  
 connecting ramp to platform**



**Tiptaptap** OÜ  
 Tiptaptap OÜ  
 Veetorni 9,  
 Jüri alevik, Rae vald,  
 75301 Harjumaa

MATERIAL:	wood, metal, plastic	A4
WEIGHT:	SCALE: 1:12	SHEET 15 OF 15