

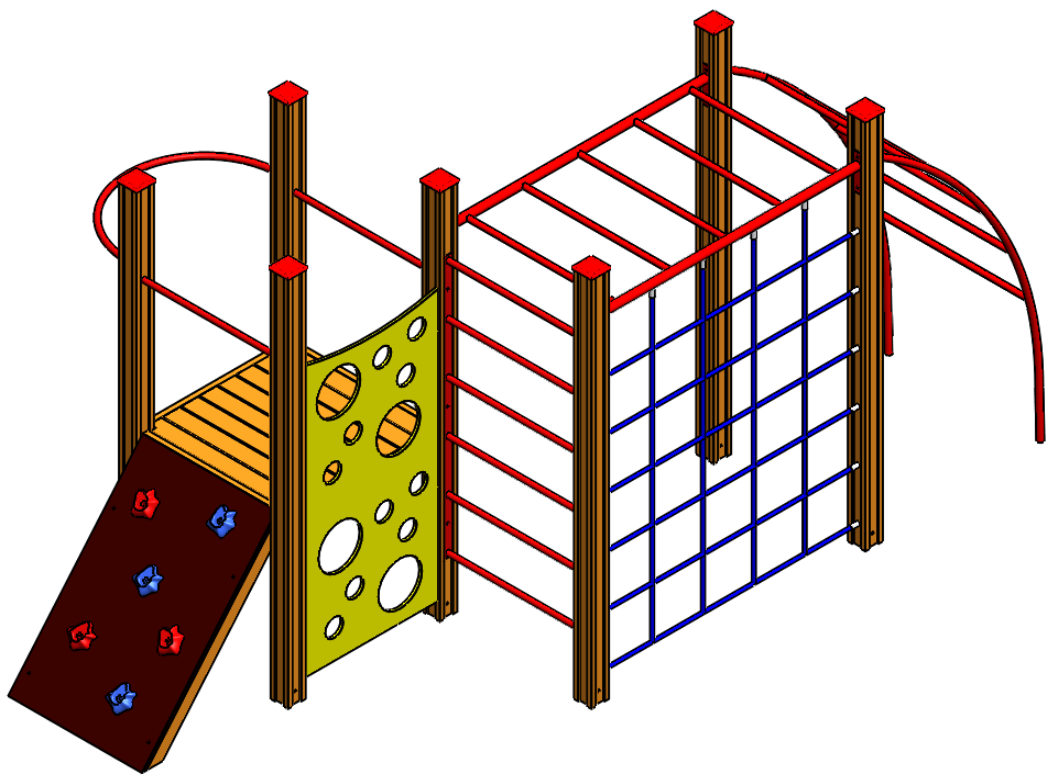
5

6

7

8

9



I B @GGC H: 9FK -G9 0D97 ÷ 98.
 8 A 9BGC BG5F9 B A @A 9HFG
 K 9< <H5F9 B ? &C; F5A A "

D5FHB I A 69F #8K; 'BC'.
 FG'%,

	B5A 9	G: B5H F9	85H9	F9J &C B
8F5K B	F'9XY'		%&"\$- "&\$%	
5DDJ B				

89G7 F-DHC B.
 7 `]a V]b[`Wc bgrfi Wh]c b': C F '5Hk @9HG



Tiptiptap ^{ou}

HdhdHd`Cy
 JYYrcfb]-ž
 >- f]U`Yj]žFUy`j U`Xž
 +)' \$%<Uf` a UU

A 5H9F-5@	k ccXža YHU`žd`Ugh]W	5(
K 9< <H'	G7 5@. '% \$	G< 99H% C: %%

gUZYmiUfYU

5

) (- \$

6

7

(&- \$

+ &- \$

8

9

&&%\$

I B @GGC H: 9FK -G9 097 ÷ 98.
8 A 9BGC BG5F9 B A @A 9HFG
K 9< <H5F9 B ? @C : F5A A "

D5FHB1 A 69F #8K : 'BC "

FG'%,

	B5A 9	G: B5H F9	85H9	F9J GCB
8F5K B	F'9XY'		%&"\$- "&\$%	
5DDJ B				

89G7 F-DHC B.

7 `]a V]b[`Wc bgrfi Wh]cb': C F `5Hk @9HG



Tiptiptap

HdhdHd`Cy
JYYrcfb]-ž
>- f]U`Yj]žFUy`j U`Xž
+)' \$%<Uf† a UU

A 5HPF-5@

k ccXža YHU žd`Ugh]W

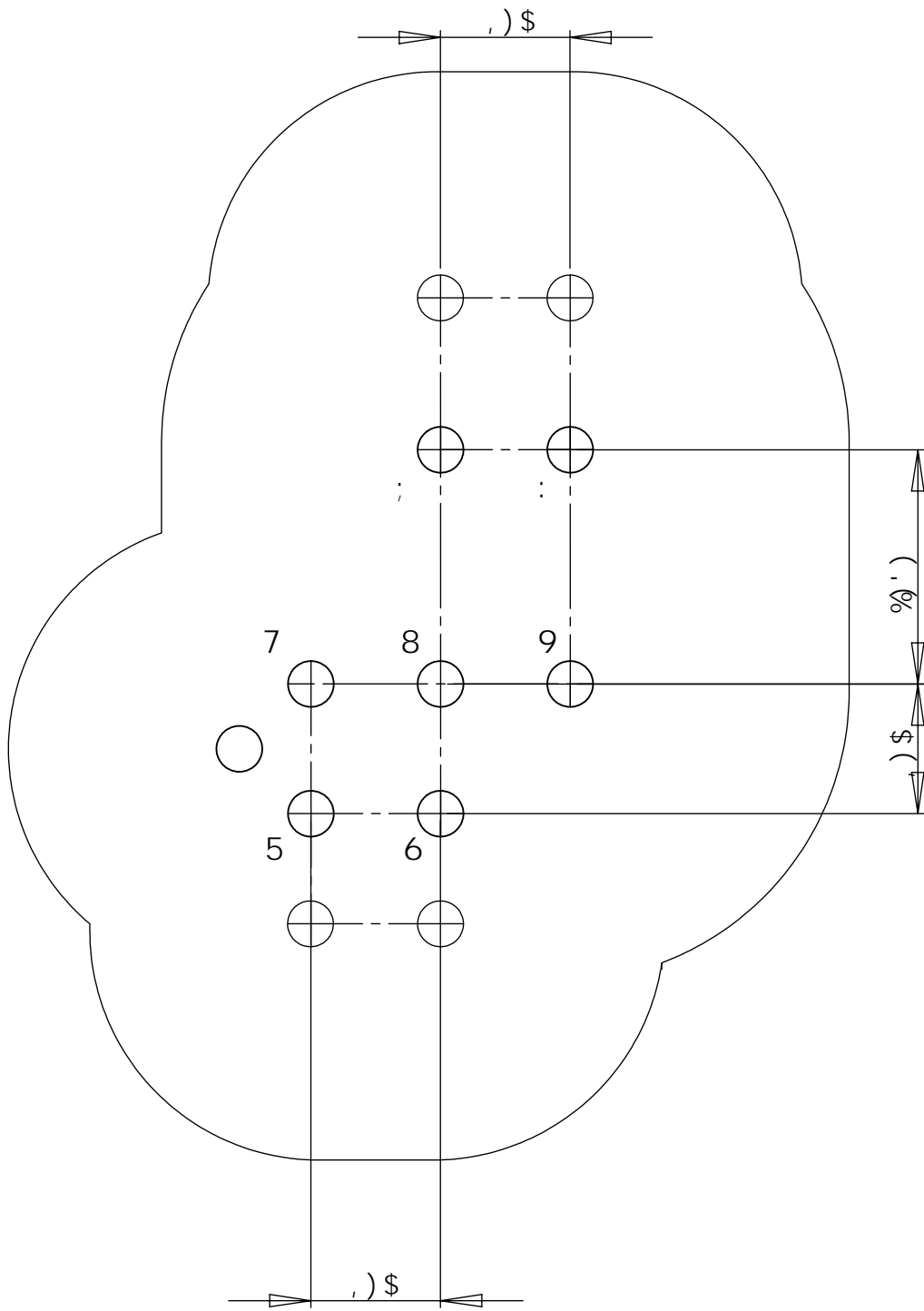
5(

K 9< <H'

G7 5@.%()

G<99H&C : %%

Zci bXUñcb



I B @GGC H: 9FK -G9D97 ÷ 98.
 8A 9BGC BG5F9-B A @A 9HFG
 K 9< <H5F9-B ? @C : F5A A "

D5FHB1 A 69F #8K : 'BC "

FG'%,

	B5A 9	G: B5H F9	85H9	F9J GCB
8F5K B	F'9XY'		%&"\$- "&\$%	
5DDJ B				

89G7 F-DHC B.

7 `]a V]b[`Wc bgrfi Wh]cb': C F '5Hk @9HG



Tiptiptap

HdhdHd`C y
 JYYrcfb]- ž
 >- f]U`Yj]žFUy`j U`Xž
 +)' \$%<Uf` a UU

A 5H9F-5@

k ccXža YHU žd`Ugh]W

5(

K 9< <H'

G7 5@. %()

G<99H' `C : %%

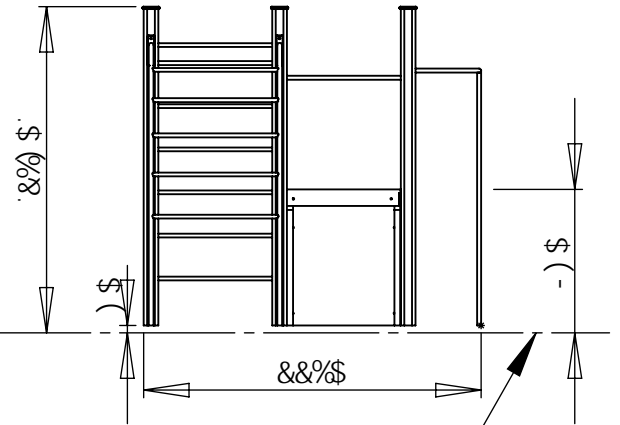
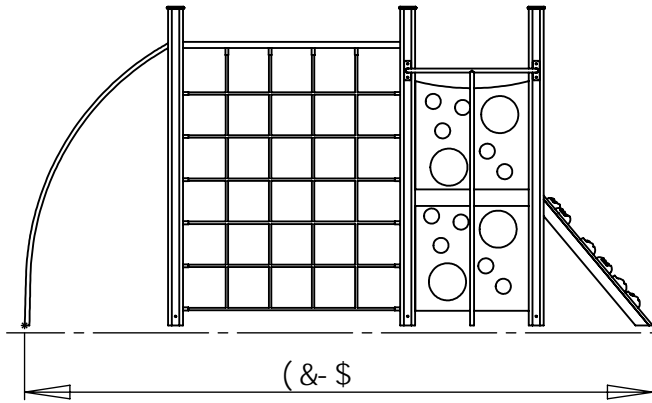
5

6

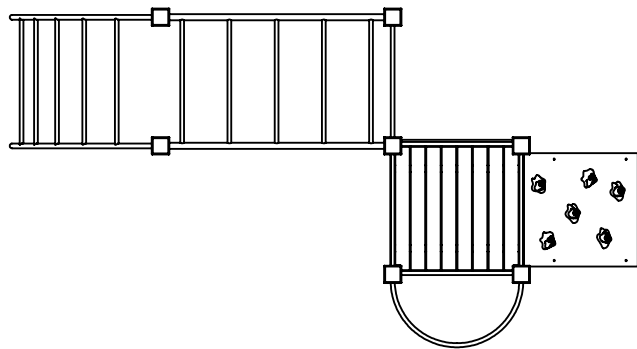
7

8

9



[fci bX



I B @GGC H: 9FK -G9 CD97 ÷ 98.
 8 A 9BGC BG5F9-B A @A 9HFG
 K 9< <H5F9 B ? @C : F5A A "

D5FHB1 A 69F #8K : 'BC "

FG'%,

	B5A 9	G: B5H F9	85H9	F9J GCB
8F5K B	F'9XY'		%&"\$- "&\$%	
5DDJ B				

89G7 F-DHC B.

7 `]a V]b[`Wc bgrfi Wh]cb': C F `5Hk @9H9G



Tiptiptap

HdhdHd`C y
 JYYrcfb]- ž
 >- f]U`Yj]žFUy j U`Xž
 +)' \$%<Uf† a UU

A 5HPF-5@

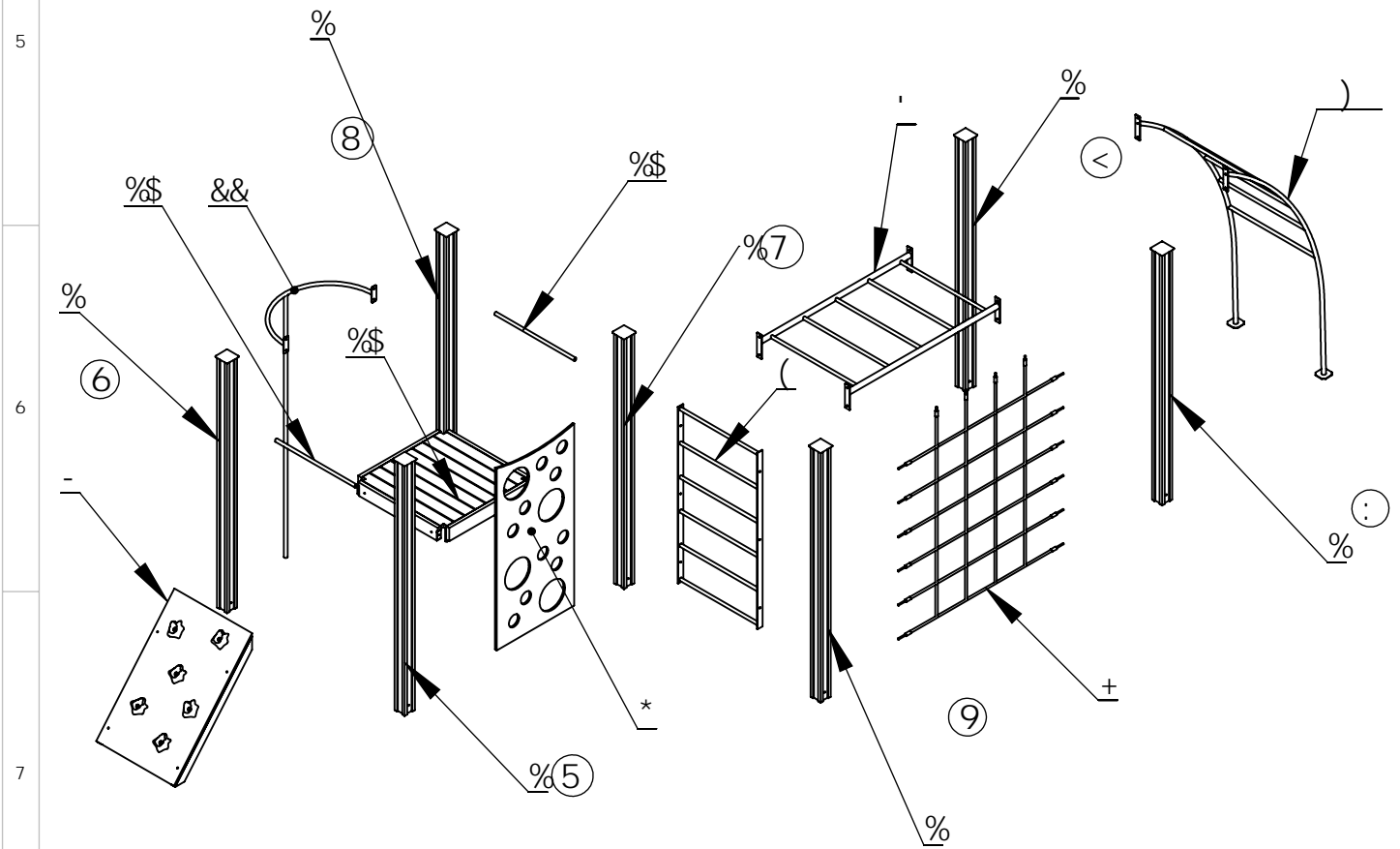
k ccXža YH žd`Ug]W

5(


K 9< <H'

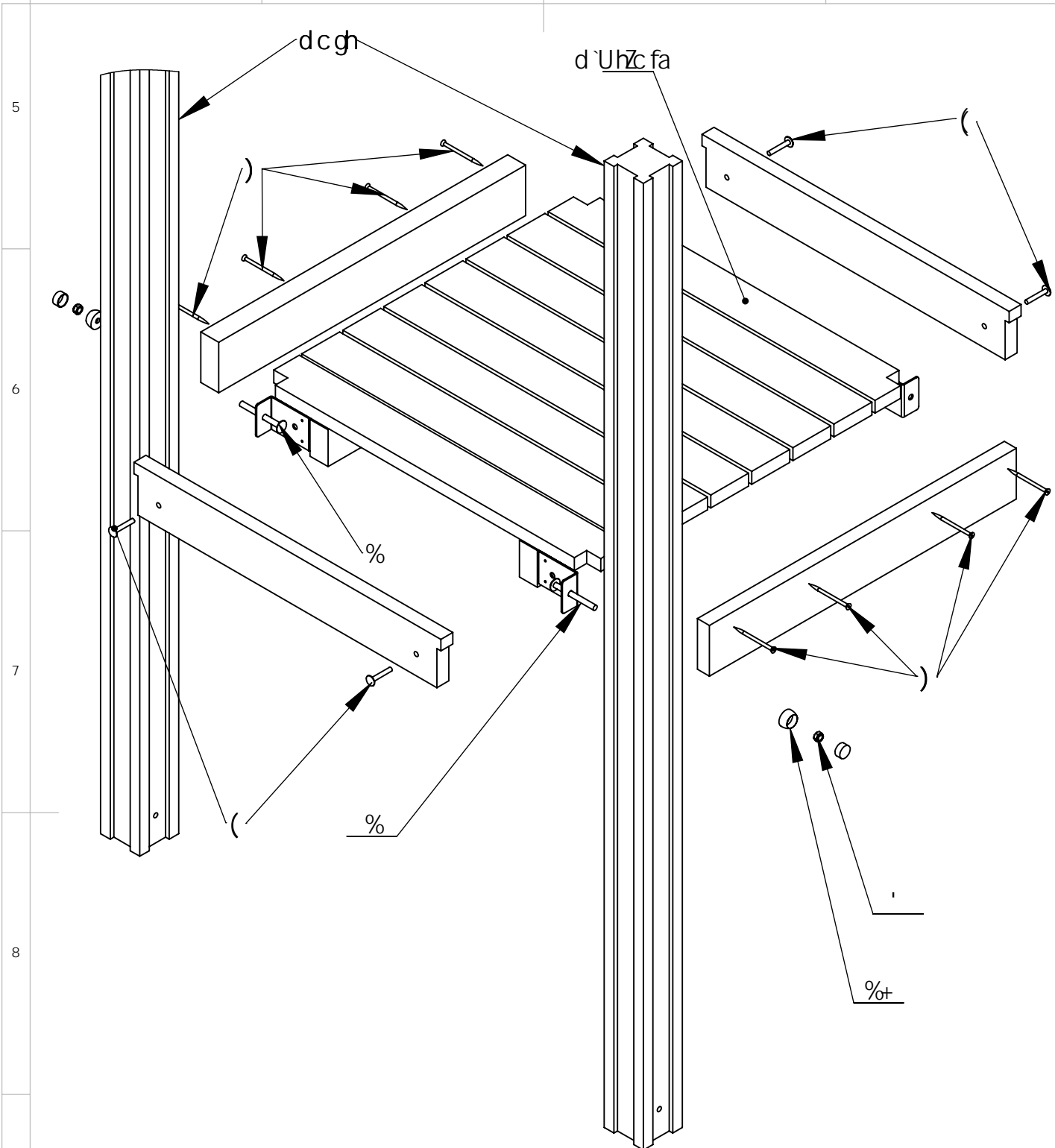
G7 5@. %) \$

G<99H('C: %%




#9A 'BC "	D5FHBI A 69F	E HM
&	d`Uhzc fa	%
'	`UXXYfS\c flcc bHU`	%
(`UXXYfSj YfhWU`	%
*	Wja V]b[`k U`	%
-	Wja V]b[`fUa d	%
%%	[i UfXfU]`X"&)l ++\$	&
%	`YXXYfSUfMXYX	%
&\$	D@	+
&%	Wja V]b[`bYh%() \$l %+(\$	%
&&	Wja V]b[`dc Y`\$%	%
&'	dcgh-, l -, l &%%\$	+

I B @GGC H: 9FK -69GD97 = 98. 8 A 9BGC BG5F9 B A @A 9HFG K 9= <H5F9 B ? @C : F5A A "				D5FHBI A 69F #8K : 'BC "	
B5A 9 G= B5H F9 85H9 F9J -GCB				FG'%,	
8F5K B F'9XY' %&'S- "&\$%				89G7 F-DHC B.	
5DDJ B				7 `ja V]b[`Wcbgrfi W]cb': C F `5Hk @9HG	
 Tiptiptap				HdhhdUd`Cy JYYrcfb]- ž > f]UYj]žFUYj U`Xž +)' \$%<Uf`a UU	
A 5H9F-5@				k ccXža YHU žd`UghW	
K 9= <H'				G7 5@. %) \$	
G-99H) C : %%				5 (



#9A 'BC "	D5FHBI A 69F
%	Vc`h8-B*\$`A %\$! %\$\$
'	bi`h8-B-,) `A %\$
(Vc`h8-B*\$`A %\$! *\$`UbX`bi h
)	Di`Xi`_fi`j`j`DD`*`I`-\$
%t	bi`hWcj`Yf`A %\$

I B @GGC H: 9FK -69GD97 = 98. 8A 9BGC BG5F9-B`A @A 9HFG K 9= <H5F9-B ?@C; F5A A "				D5FHBI A 69F #8K; `BC`.	
B5A 9	G= B5H F9	85H9	F9J GCB	FG%\$,	
8F5K B	F`9XY`	%&"\$-`&\$%		89G7 F-DHC B.	
5DDJ B				7`ja V]b[`Wcbgrfi W]cb': CF`5Hk @H9G	
 Tiptiptap				HdhhdUd`Cy JYYrcfb]-ž >`fi`UYj]žFUy`j`U`Xž +)` %\$<Uf† a UU	
				A 5H9F-5@	k ccXža YHU`žd`Ugh]W
				K 9= <H`	G7 5@9.%`\$
				G<99H`C: %%	5(

5

6

7


8

9

#9A 'BC "	D5FHBI A 69F
&	`UXXYfS\c flgc bHJ`
'	`YXXYfSUfM YX
(Vc`h8-B-' 'A %\$! %&\$
)	bi h8-B-,) 'A %\$
*	bi h'Wcj Yf'A %\$
+	bi h'Wcj Yf'WUd 'A %\$
-	D@
%\$	dc gh-, -, &%\$

I B @GGC H: 9FK -99 097 = 98. 8 A 9BGC BG5F9-B A @9A 9HFG K 9= <H5F9-B ? @C: F5A A "			
B5A 9	G= B5H F9	85H9	F9J @CB
8F5K B	F'9XY'	%&"\$- "&\$%	
5DDJ B			

D5FHBI A 69F #8K: 'BC "	FG'&\$,
89G7 F-DHC B.	7 `]a V]b[`Wc bgrfi Wh]c b': C F '5Hk @9HG

 Tiptiptap	HdhhdUd`C y JYYrcfb]- ž >- f]U Yj]žFU Y'j U Xž +)' \$%<Uf a UU	A 5H9F-5@ k ccXža YHU žd`UghW	5(
	K 9= <H'	G7 5@9.%)\$	G<99H+C: %&



Tiptiptap

HdhhdUd`C y
 JYYrcfb]- ž
 >- f]U Yj]žFU Y'j U Xž
 +)' \$%<Uf a UU

A 5H9F-5@
 k ccXža YHU žd`UghW

5(

K 9= <H' G7 5@9.%)\$ G<99H+C: %&

5

6

7

8

Dcgh

@JXXYf

&

%

9

#9A 'BC "	D5FHBI A 69F
%	6c`h8-B) +%A %\$! , \$
&	bi h`Wcj Yf`A %\$`k]h`WUd
(D@
)	W]a V]b[`bYh7
*	dcgh- , l - , l &%\$\$

I B@GGC H: 9FK -G9D97 =-98. 8 A 9BGC BG5F9-B A @A 9HFG K 9= <H5F9-B ?@C : F5A A "			
B5A 9	G= B5H F9	85H9	F9J -GC B
8F5K B	F`9XY`	%&`S-`"&S%	
5DDJ B			

D5FHBI A 69F #8K : 'BC "	FG'%,
89G7 F-DHC B.	7 `]a V]b[`Wc bgrfi Wh]c b : C F `5Hk @9HG



Tiptiptap ^{ou}

HdhdHd`Cy
JYYrcfb]-ž
> f]UYj]žFUYj U`Xž
+)' %\$<Uf† a UU

A 5H9F-5@	k ccXža YHU`žd`Ugh]W	5(
K 9= <H`	G7 5@9.%) \$	G<99H, C : %%

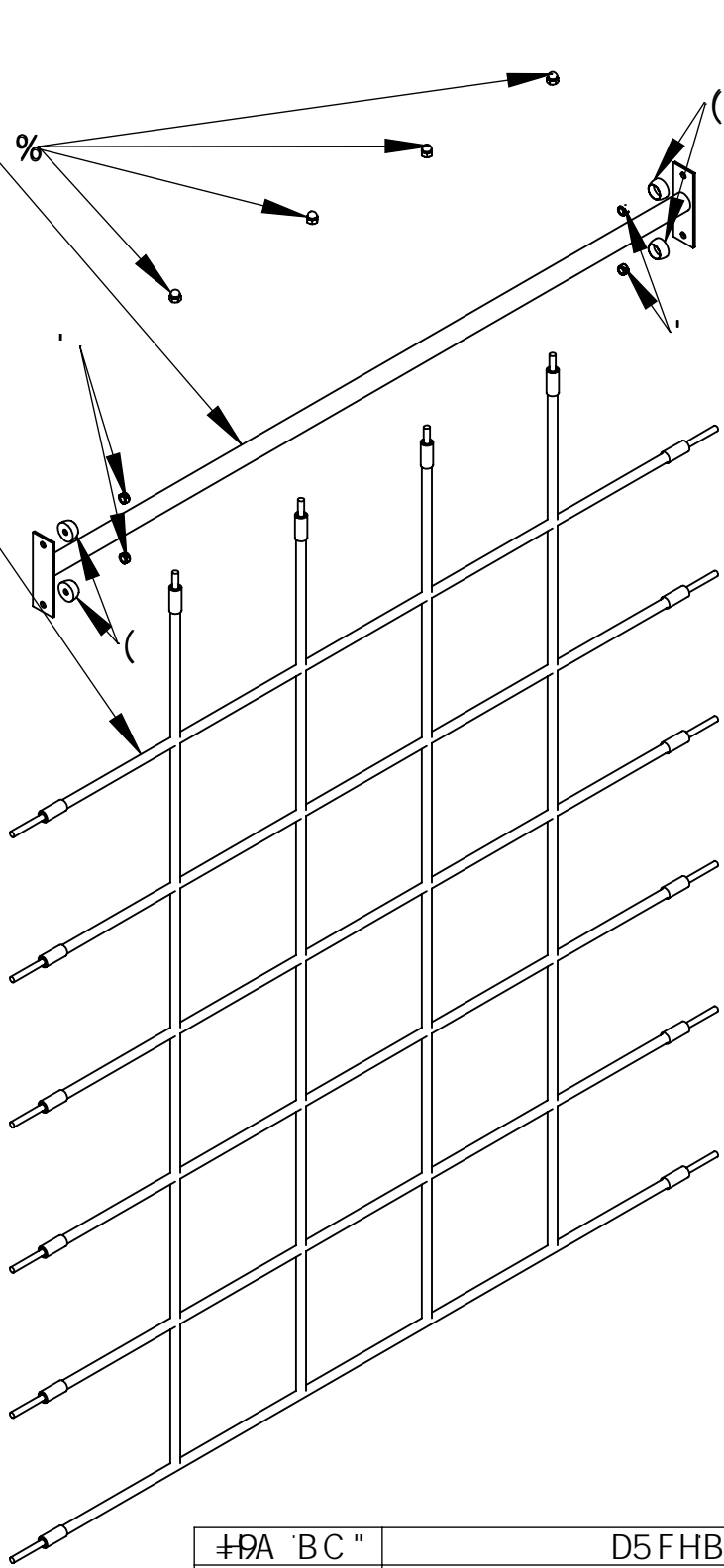
5
6
7
8
9

G]XY 'cZH Y'
\'c f]gc b]U''UXXYf

W]a V]b['bYh

dcgh

dcgh



±9A 'BC "	D5FHBI A 69F
%	8-B '0) , +!'A %\$!!BI 7
&	Vc'h8-B * '\$' A %\$! %\$
'	bi h8-B -,) 'A %\$
(bi h'Wc] Yf'A %\$

I B @GGC H: 9FK -G9D97 ÷ 98.
8 A 9BGC BG5F9-B A @A 9HFG
K 9: <H5F9-B ? @C; F5A A "

D5FHBI A 69F #8K: 'BC "

FG'%,

	B5A 9	G: B5H F9	85H9	F9J GCB
8F5K B	F'9XY'		%&"\$- "&\$%	
5DDJ B				

89G7 F-DHC B.

7 `]a V]b['Wc bgrfi W]c b': C F '5Hk @9HG



Tiptiptap

HdhdUd 'Cy
JYYrcfb]-ž
> f]UYj]žFUy j U'Xž
)' %\$<Uf' a UU

A 5H9F-5@

k ccXža YH]žd 'Ug]W

5(

K 9: <H'

G7 5@9.%) \$

G<99H- C: %%

5

[i UfXfU]

6

dcgh

&

%

7

8

9

±9A "BC	±9A B5A 9
%	Vc`h8-B`-' %A %\$! %\$\$
&	bi hWcj Yfk jh`WUd`A %\$

I B@GGC H: 9FK -G9 097 ÷ 98. 8 A 9BGC BG5F9-B A @9A 9HFG K 9: <H5F9-B ?@C: F5A A "				
	B5A 9	G: B5H F9	85H9	F9J GCB
8F5K B	F"9XY`		%&"\$- "&\$%	
5DDJ B				

D5FHBI A 69F #8K: 'BC`.	FG'%,
89G7 F-DHC B.	7 `ja V]b[`Wcbgrfi Wh]cb': C F`5Hk @9H9G

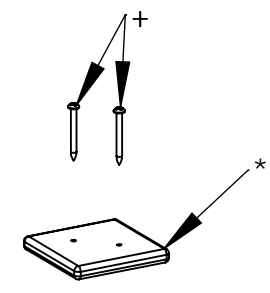


Tiptiptap ^{ou}

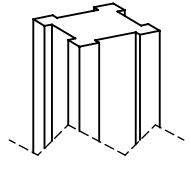
HdhhdUd`Cy
JYYrcfb]- ž
>- f]U`Yj]žFUy`j U`Xž
+)' \$%<Uf† a UU

A 5H9F-5@	k ccXža YHU žd`Ugh]W	5(
K 9: <H`	G7 5@9.%)\$	G<99H%\$C: %%

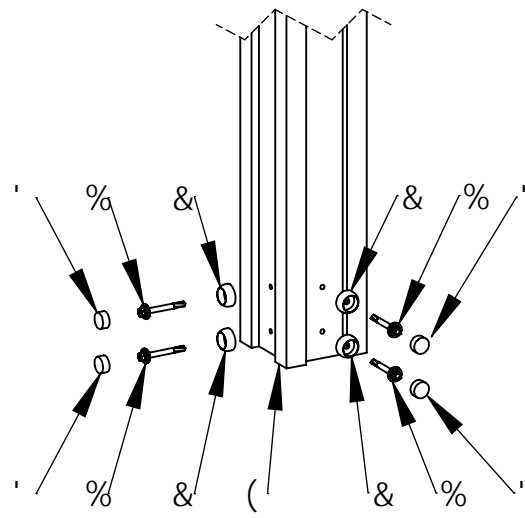
5



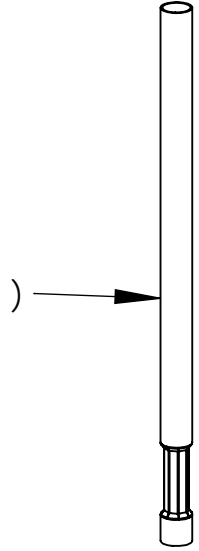
6



7

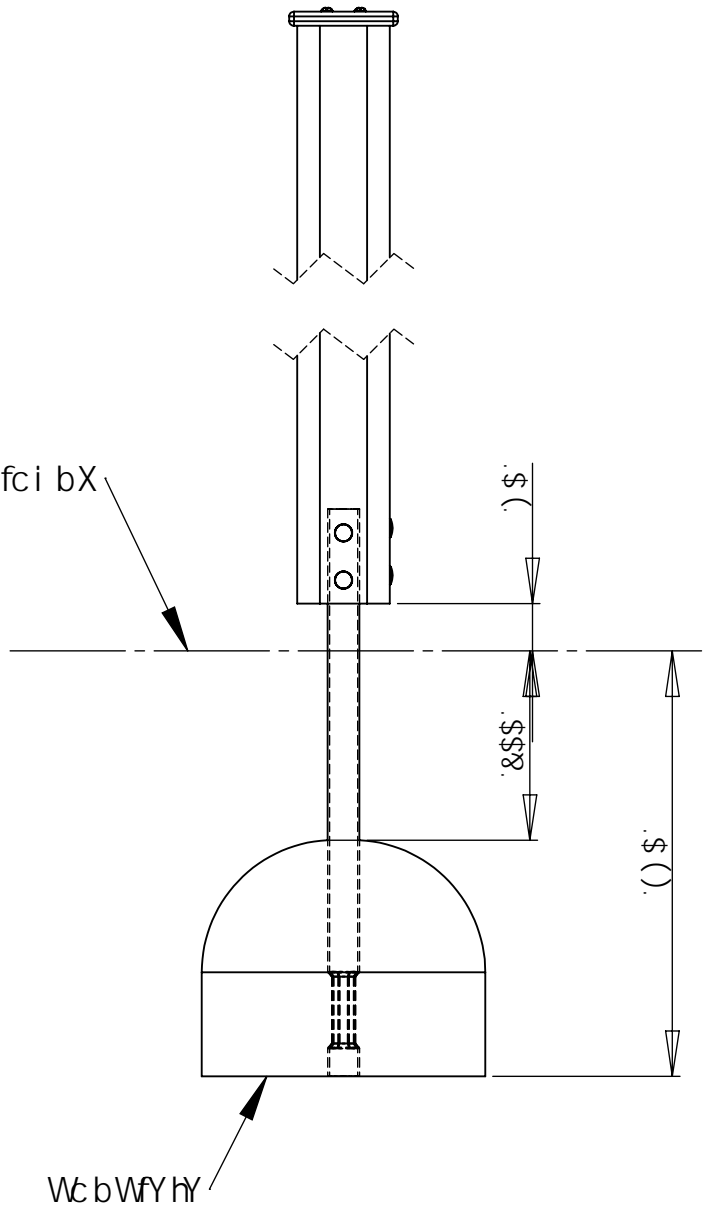


8



9

[fci bX



±DA 'BC "	D5FHBI A 69F
%	gWfYk '8-B+) \$(?) ž)I) \$
&	bi h'Wc'j Yf'A *
'	bi h'Wc'j Yf'WUd 'A *
(dcgh-, l-,
)	a YH' '[fci bX 'Z]]b[
*	d`Ugh]WWUd`%%)I%%)
+	gWfYk '8-B+- -*' *I * \$

I B @GGC H: 9FK -G9 CD97 = 98.
 8 A 9BGC BG5F9-B A @A 9HFG
 K 9= <H5F9-B ? @C ; F5A A "

D5FHBI A 69F #8K ; 'BC "

FG'%,

	B5A 9	G= B5H F9	85H9	F9J &GB
8F5K B	F'9XY'		%&"S- "&S%	
5DDJ B				

89G7 F-DHC B.

7]a V]b['Wc bgrfi Wh'cb': CF'5Hk @9HG
 WcbbYV]b['a YH' '[fci bX 'Z]]b['rc' dcgh



Tiptiptap ^{ou}

HdhhdUd`Cy
 JYYrcfb]- ž
 >- f]UYj]žFUy'j U'Xž
 +)' \$%<Uf' a UU

A 5H9F-5@	k ccXža YH' ž'd`Ugh]W	5(
K 9= <H'	G7 5@.%,	G<99H%&C: %%